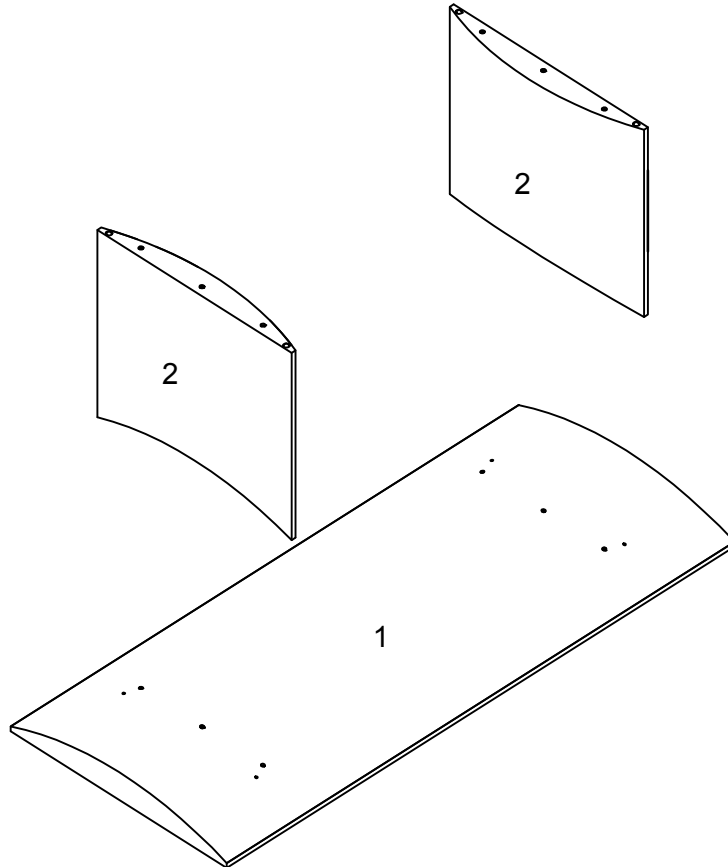
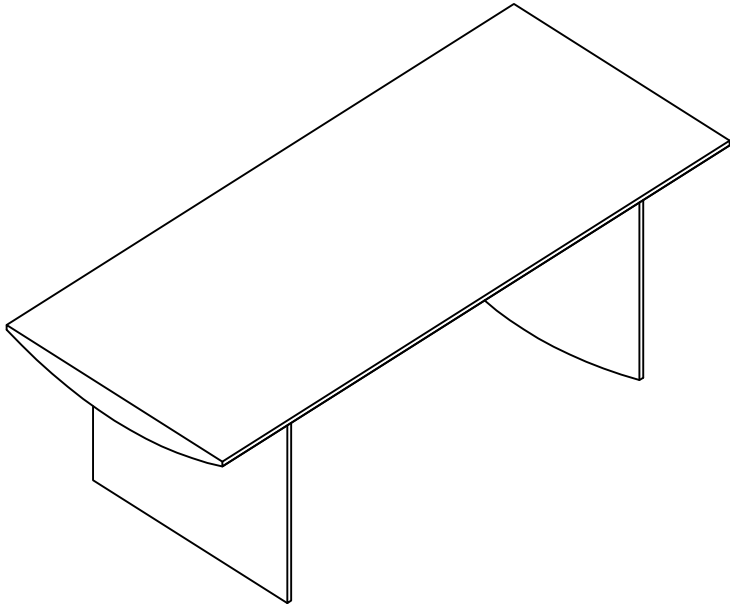


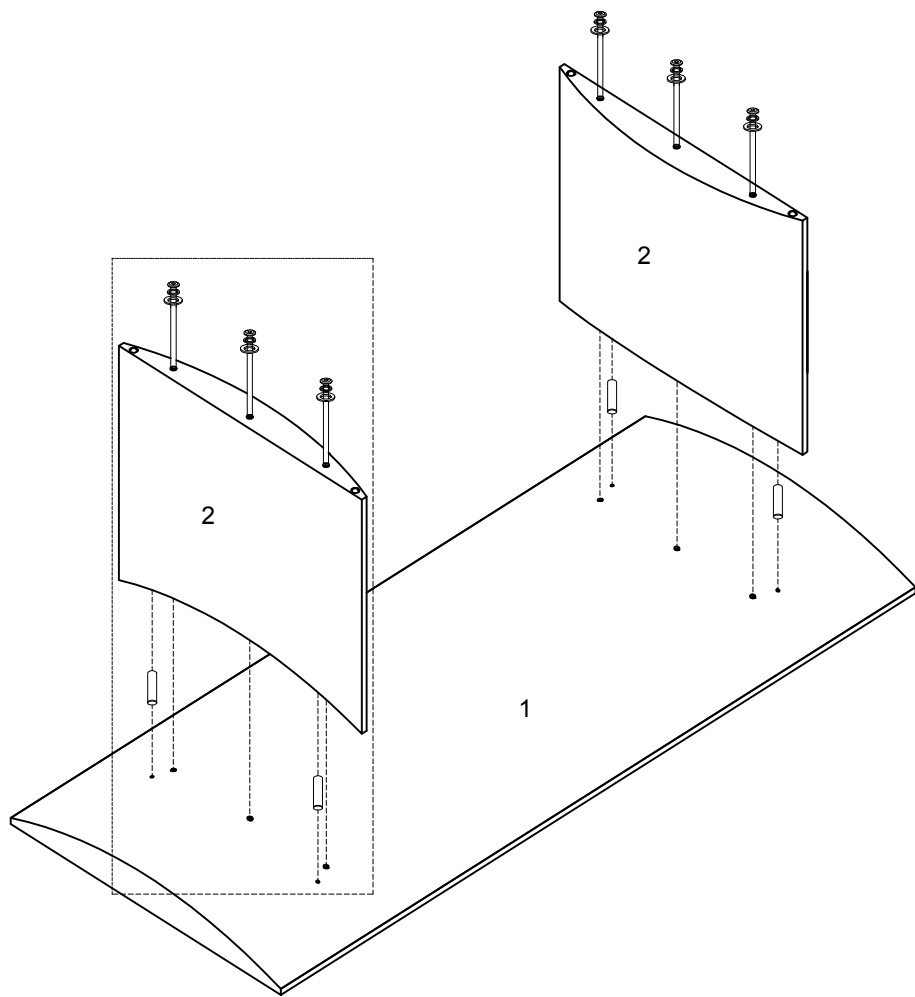
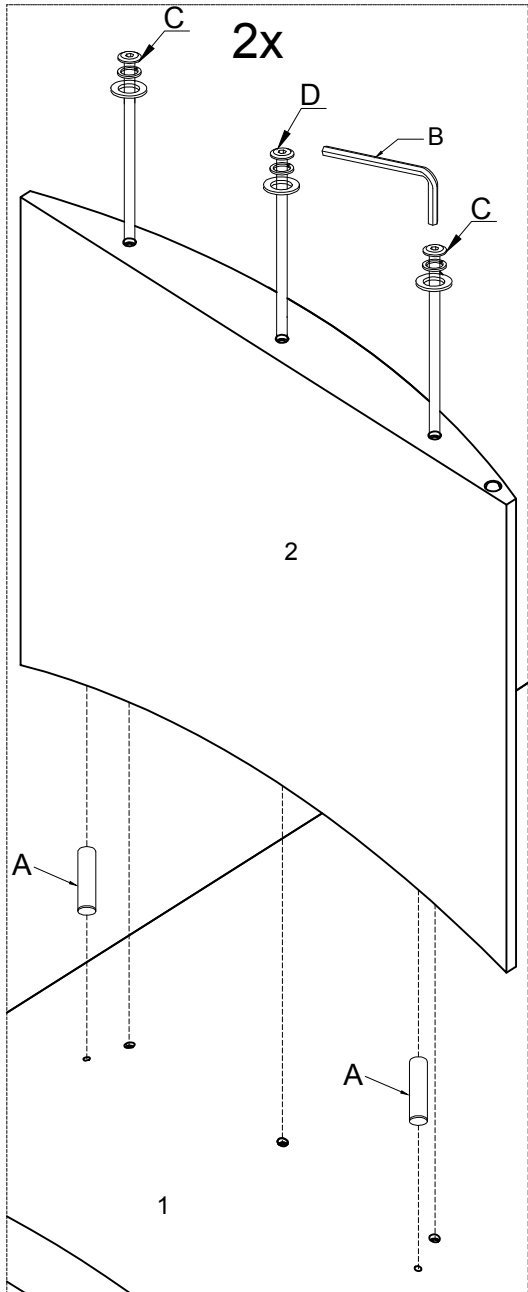
ASSEMBLY INSTRUCTION FOR MODEL: DINNING TABLE

HARDWARE LIST

A		Wood dowels	8mm x 30mm	4
B		Allen Wrench	M4	1
C		Bolt	8mm x 698mm	4
D		Bolt	8mm x 680mm	2



ASSEMBLY INSTRUCTION FOR MODEL: DINNING TABLE



ASSEMBLY INSTRUCTION FOR MODEL: DINNING TABLE

