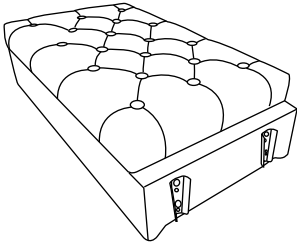
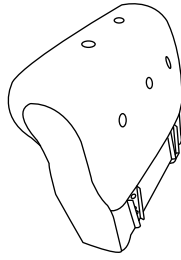


ASSEMBLY INSTRUCTION

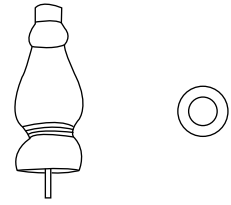
Ax1



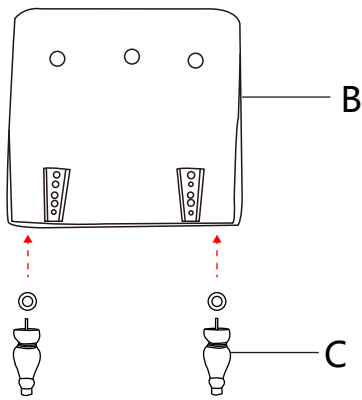
Bx2



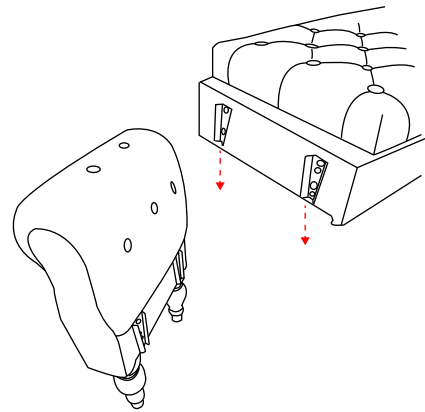
Cx4



①



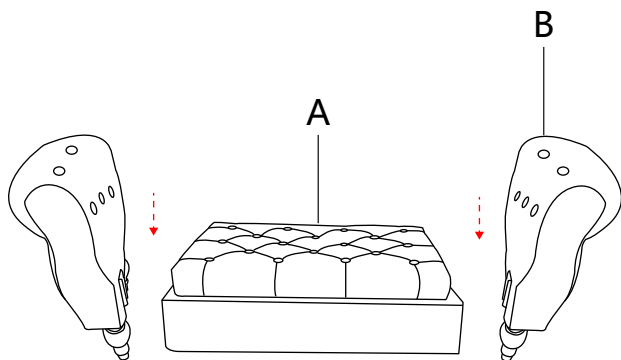
③



1. Align the pre-installed v-brackets on the Arm rest(A) with the corresponding brackets on the back edge of Seat(B) the v-brackets will slide down into the receiving brackets once both aligned.

2. Press firmly down on Arm rest(A) to secure the Arm rest(A) to Seat(B).

②



④

