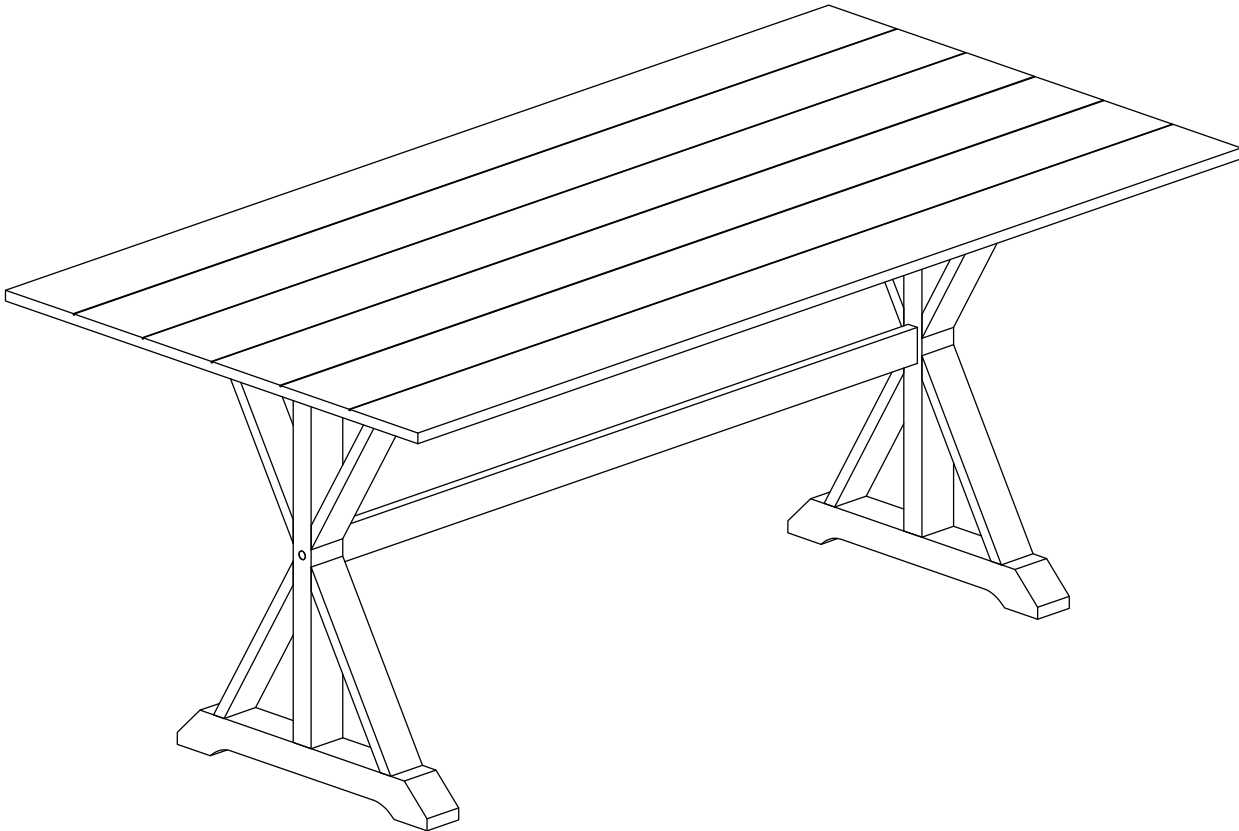
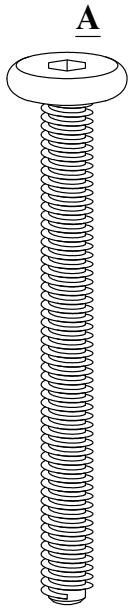


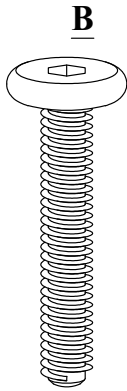
ASSEMBLY INSTRUCTIONS

DINING TABLE





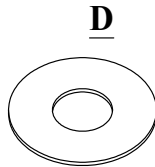
A
M6*60
2 PCS



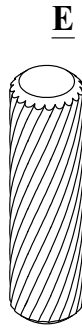
B
M6*35
8 PCS



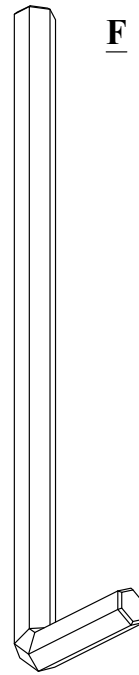
C
Spring Washer
8 PCS



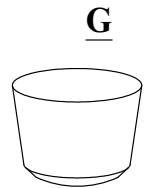
D
Flat Washer
8 PCS



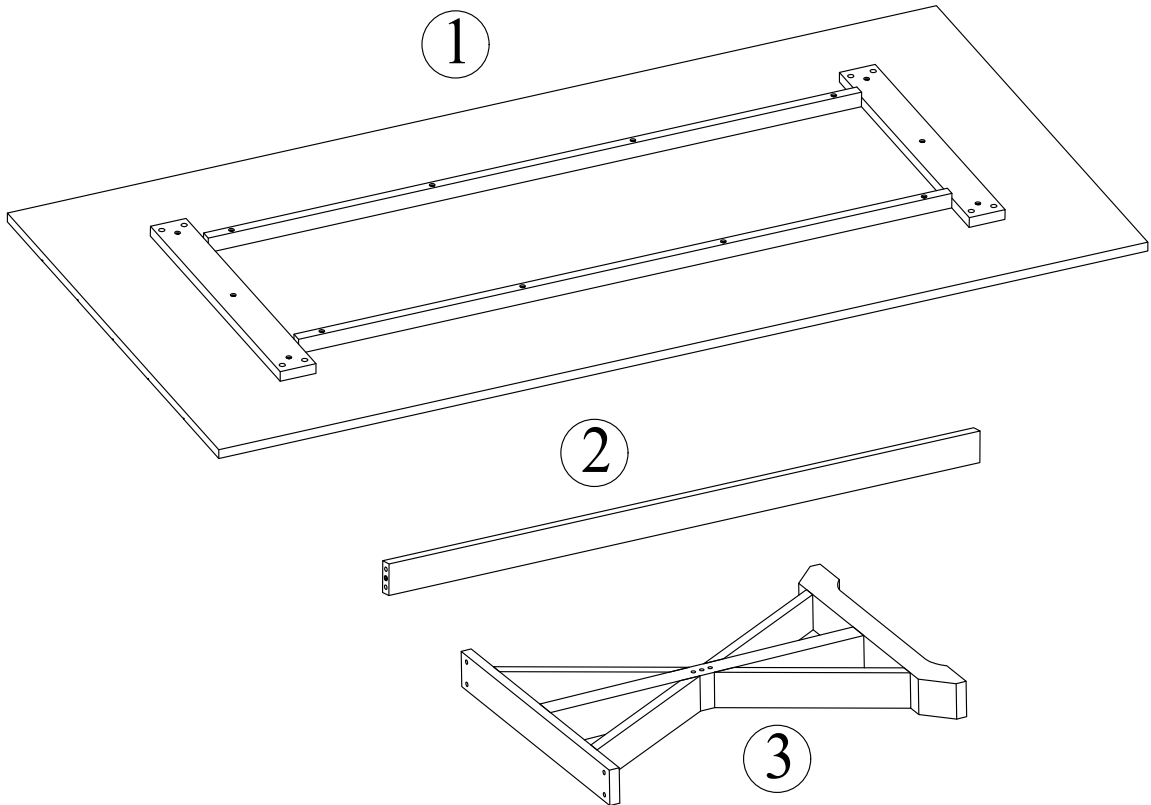
E
Wooden Dowel
4 PCS



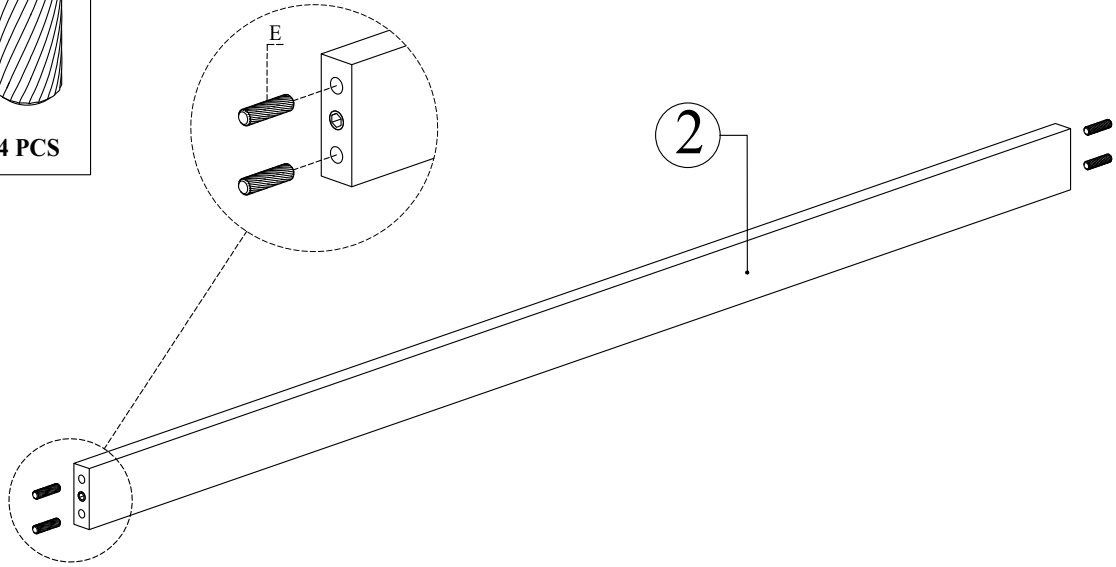
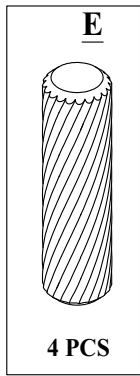
F
Allen Wrench
1 PC



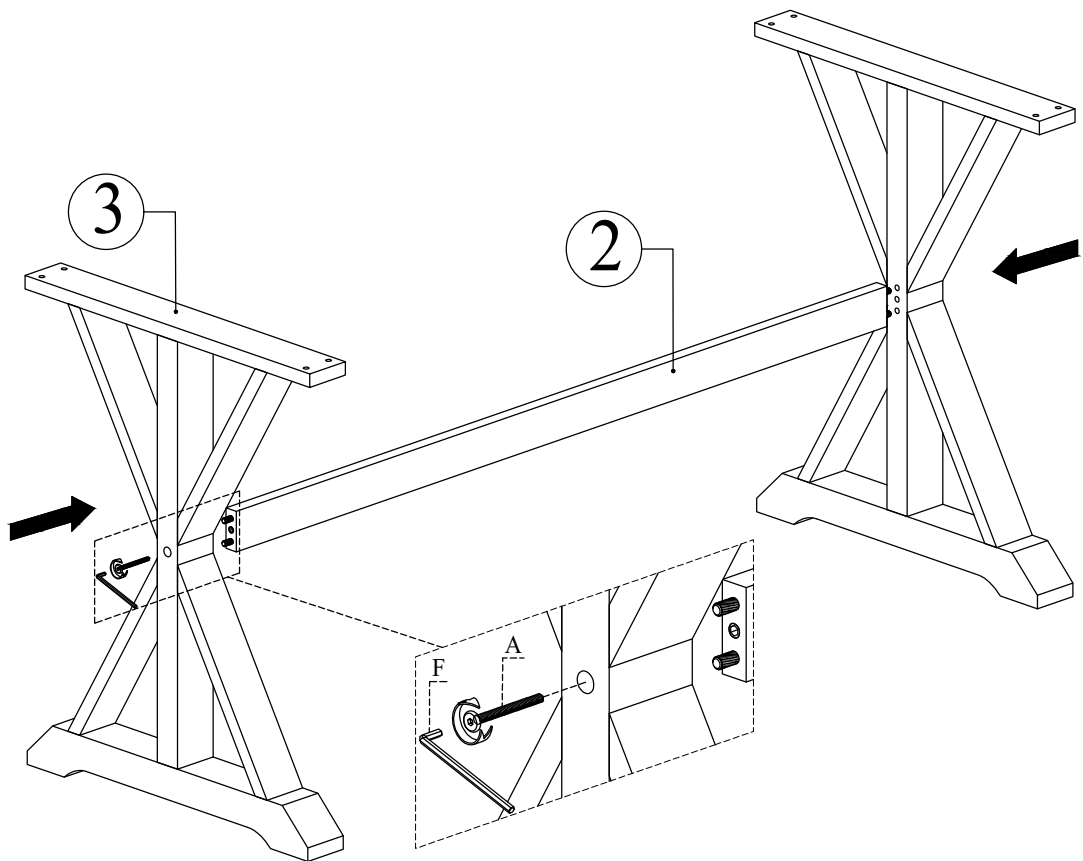
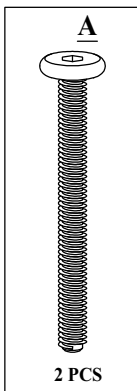
G
Wood Button
2 PCS



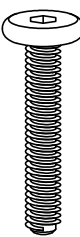



01



02



03

 B 8 PCS	 C 8 PCS	 D 8 PCS	 G 2 PCS
--	--	--	--

