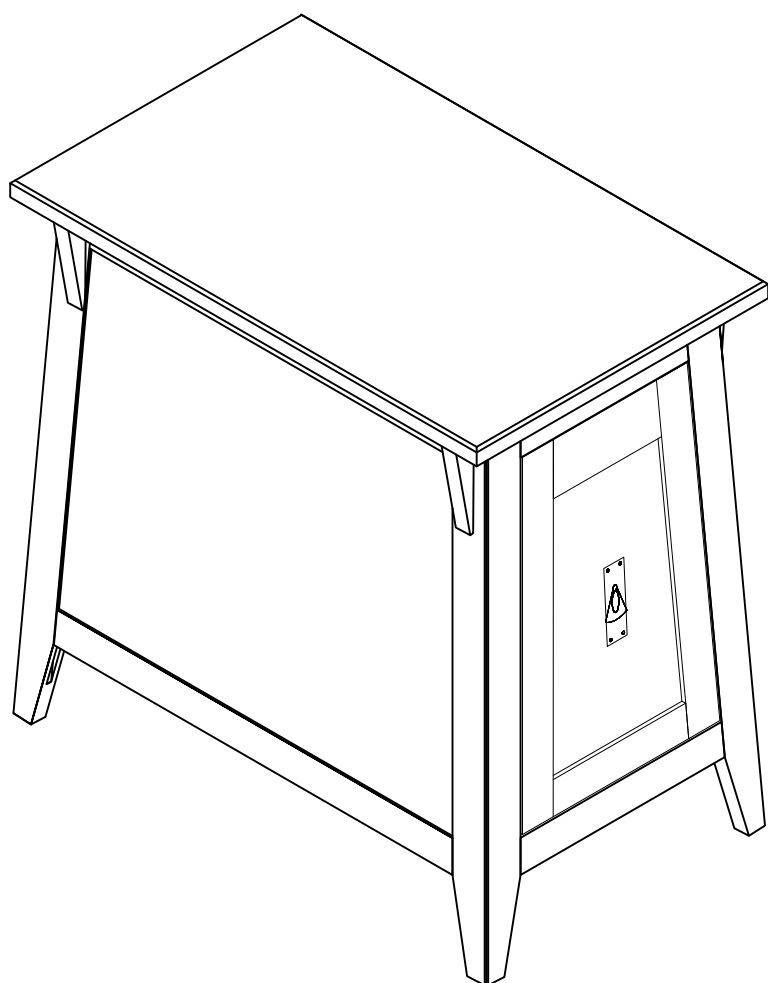


# Assembly Instructions

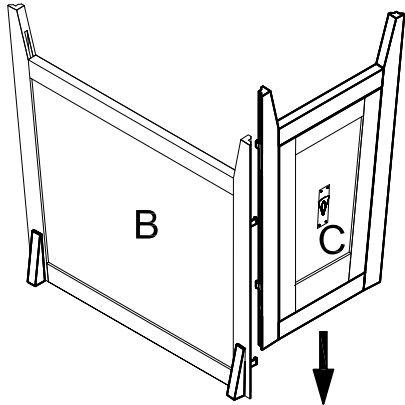
# Cabinet End Table



A: Top Assembly	
B: (2) Side Frames	
C: Front Frame	
D: Back Frame	
E: Bottom Panel	
F: Middle Shelf	
G: (8) Shelf Supports	
H: (6) Bolts	
I: (6) Flat Washers	
J: (6) Lock Washers	
K: Allen Wrench	

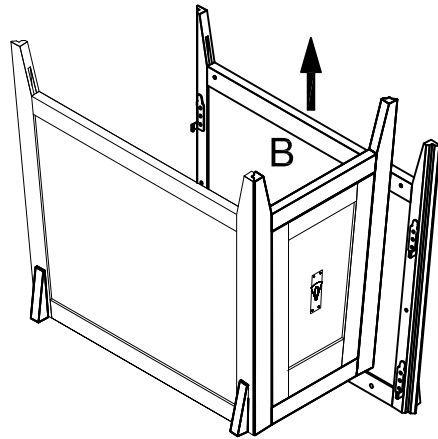
**Step 1**

Assemble upside down. Put one side frame (B) to the front frame (C) making sure both corner fasteners line up. Tap down with your hand or a light tap with a hammer should do it.



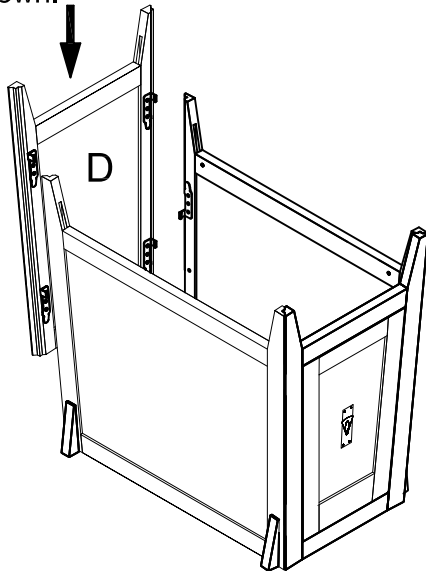
**Step 2**

Do the same as step one with the other side frame (B) to the front frame (C).



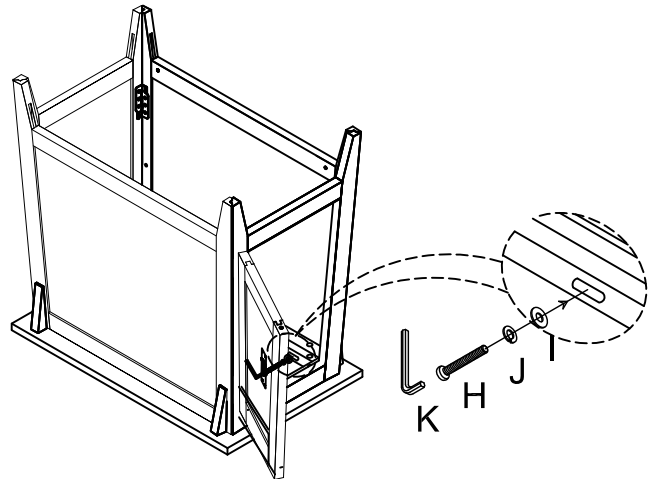
**Step 3**

Line up the four corner fasteners of the back frame (D) and tap that down.



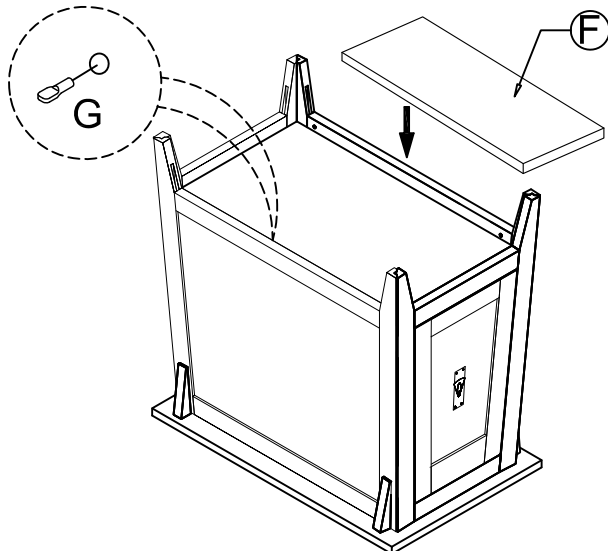
**Step 4**

Put the top (A) upside down on a soft surface. Place the above side (front, back, and frame assembly) onto the top. Insert all the bolts through the cleats on the top into the table frames, tighten.



**Step 5**

Place the middle shelf (F) into the table. It will rest on the corner fasteners. Insert shelf supports into holes.



**Step 6**

Do the same thing with bottom panel (E), then turn the table right side up.

