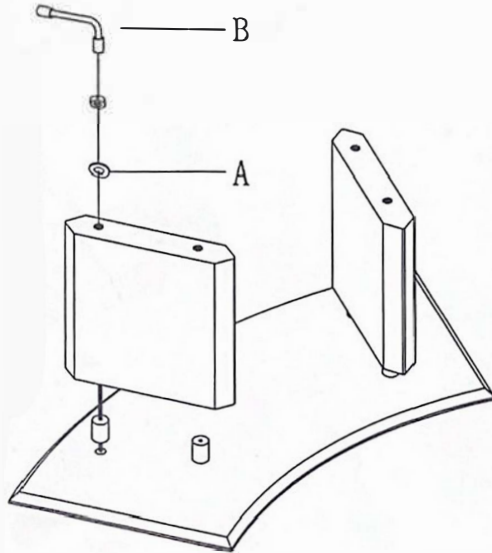
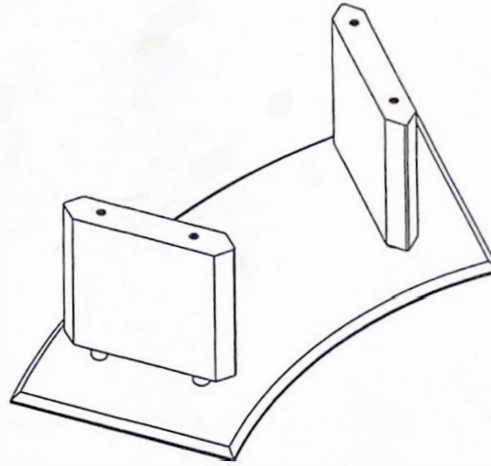


# Assembly Instruction

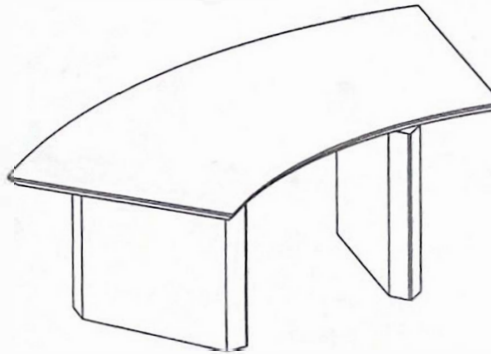
STEP 1






STEP 2



STEP 4



## PARTS LIST

NO.	DESCRIPTION	QTY
1		1
2		2
3		4

## HARDWARE LIST

NO.	DESCRIPTION	Q.T.Y
A	 M8 x745	4
B	 4#	1