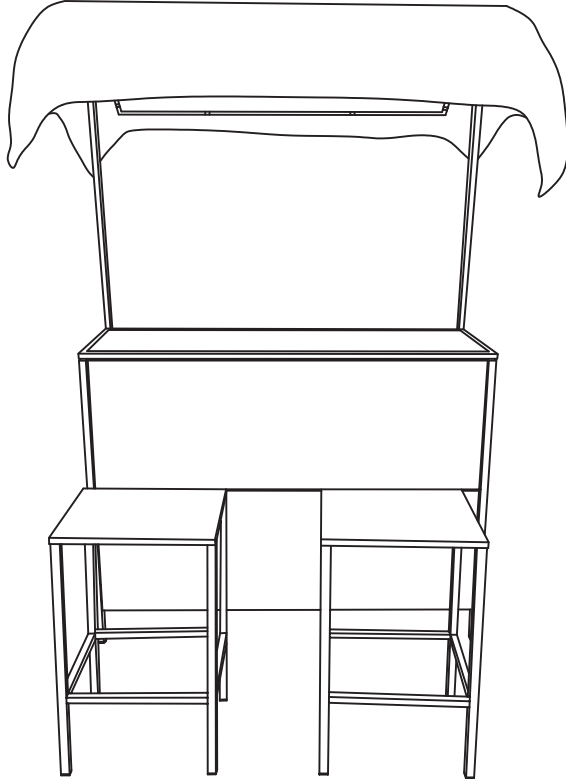


BAR SET INSTRUCTION MANUAL

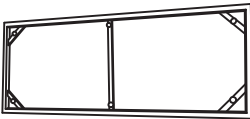
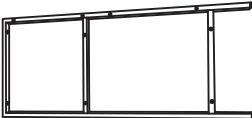
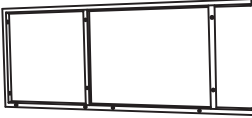
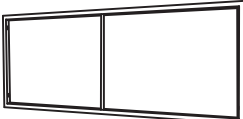
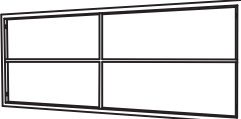



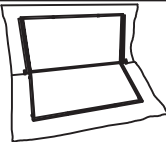


We stand behind our brand. If you're not satisfied with your purchase, reach out to get a replacement or refund. Contact us to save time and money



PARTS LIST

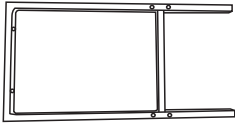

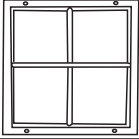






1

Parts	pcs	Accessories
A	1	
B	1	
C	1	
D	2	
E	2	
F	1	
G	2	
H	2	
I	1	



PARTS LIST

2

Parts	pcs	Accessories
P	4	
Q	4	
R	2	
J	22	 M6x15MM
K	4	 M6x20MM
L	28	 M6x35MM
M	4	 M6x45MM
N	58	
O	2	

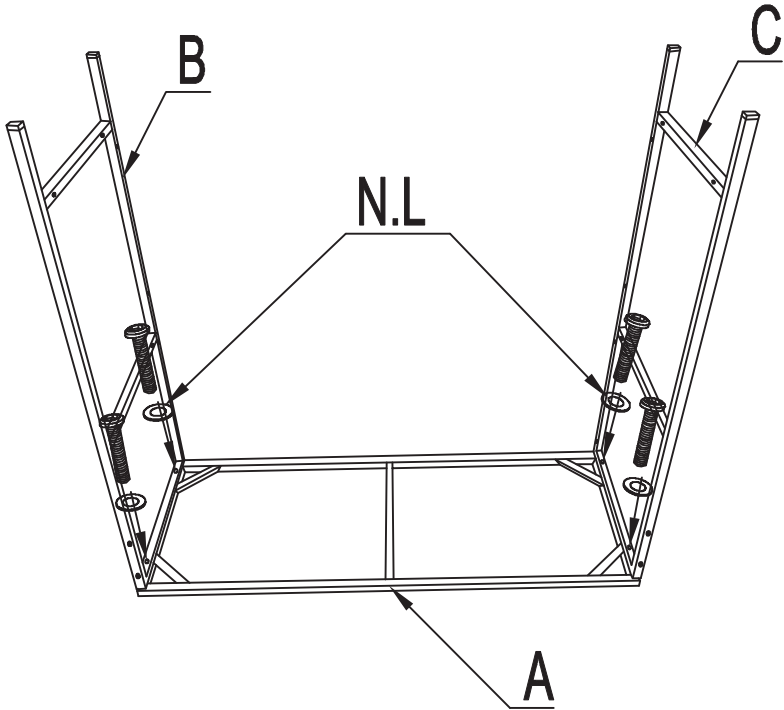
01

STEP

L
4PCS



N
4PCS



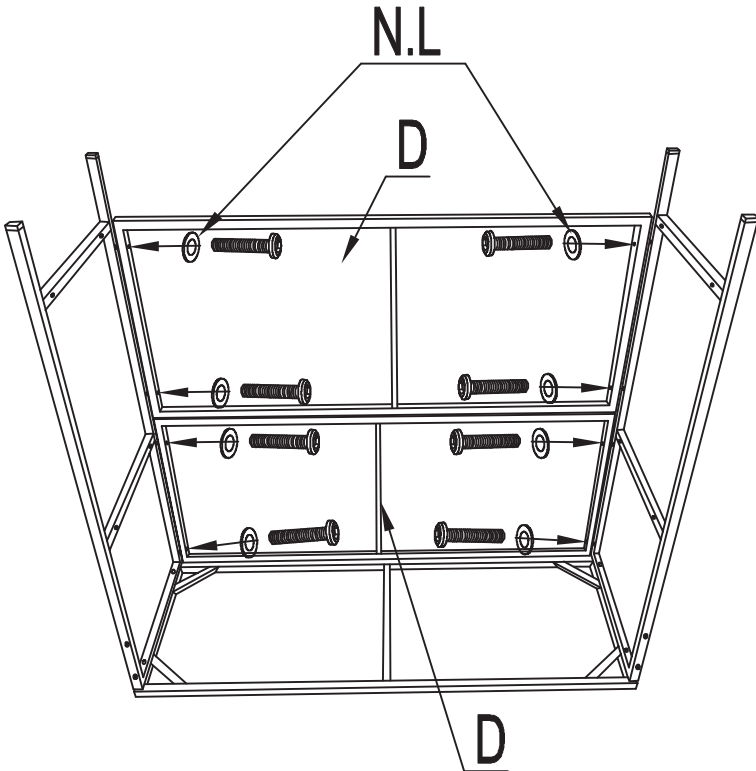
02

STEP

L
8PCS



N
8PCS



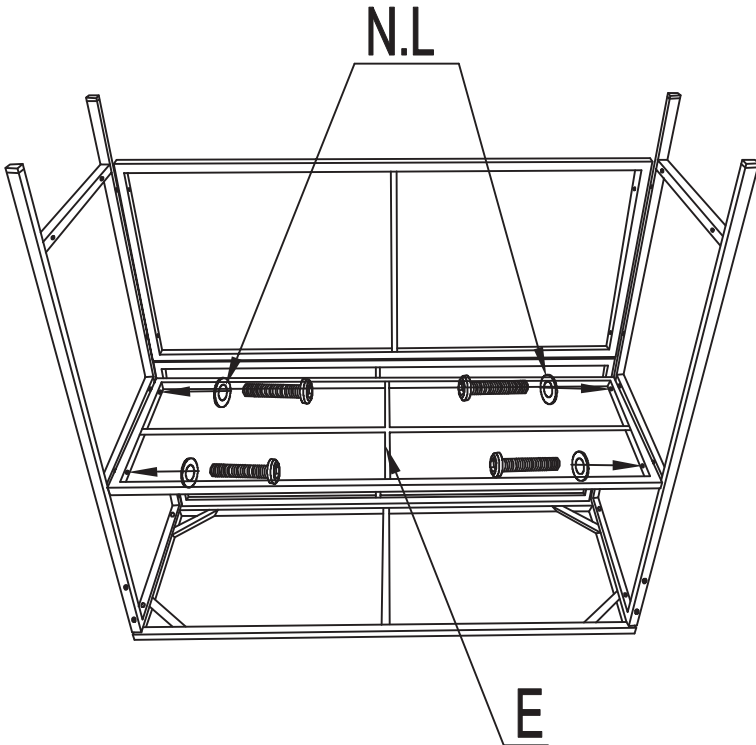
03

STEP

L
4PCS



N
4PCS



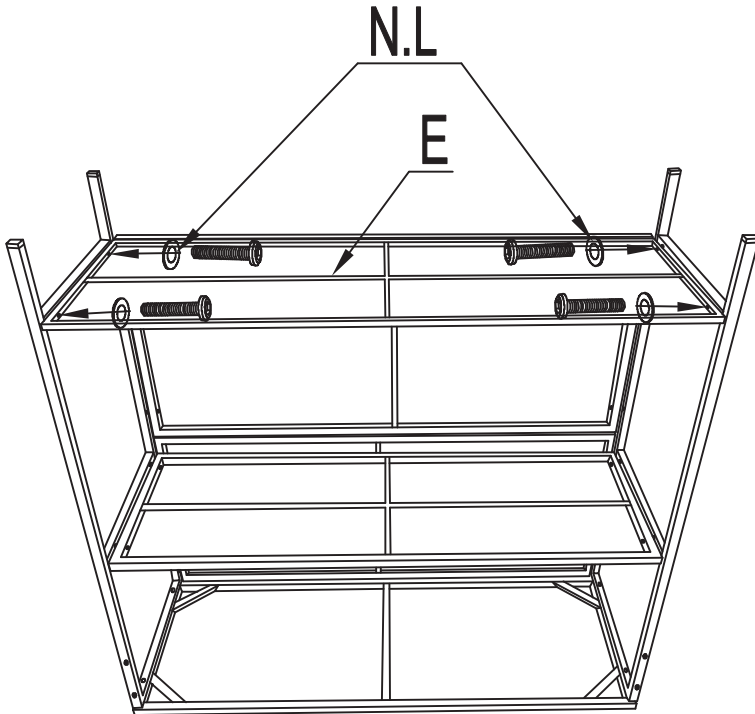
04

STEP

L
4PCS



N
4PCS



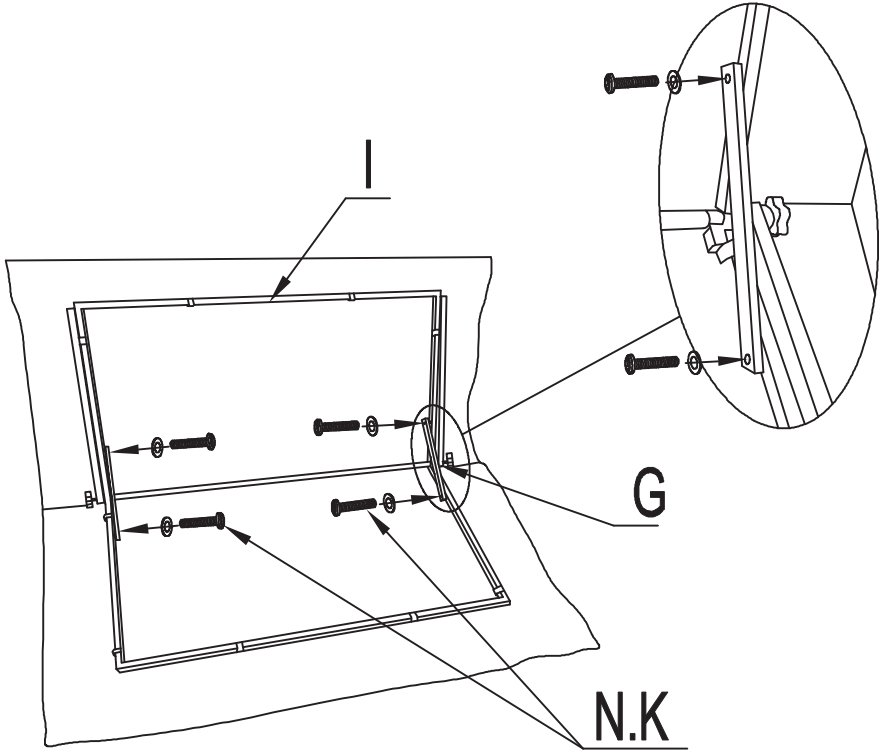
05

STEP

K
4PCS



N
4PCS



06

STEP

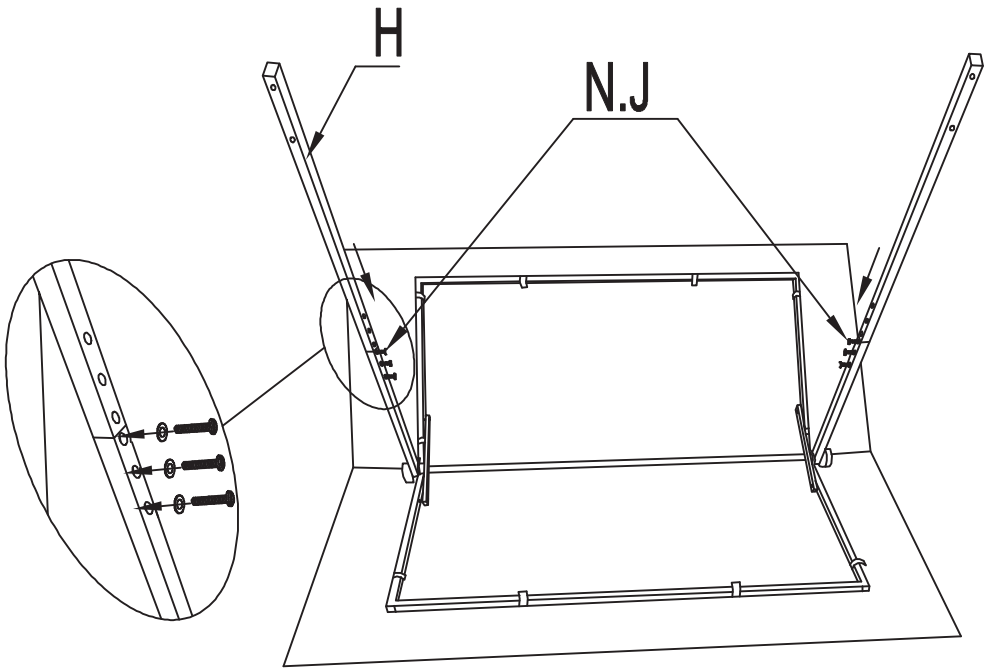
J

6PCS



N

6PCS



07

STEP

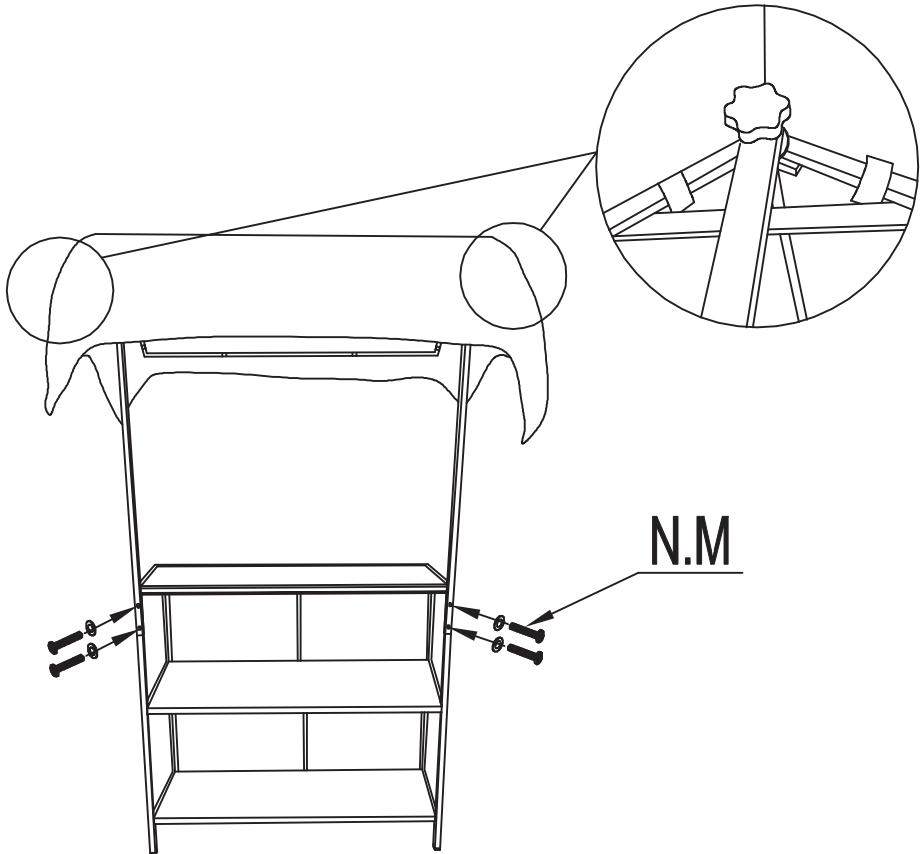
M
4PCS



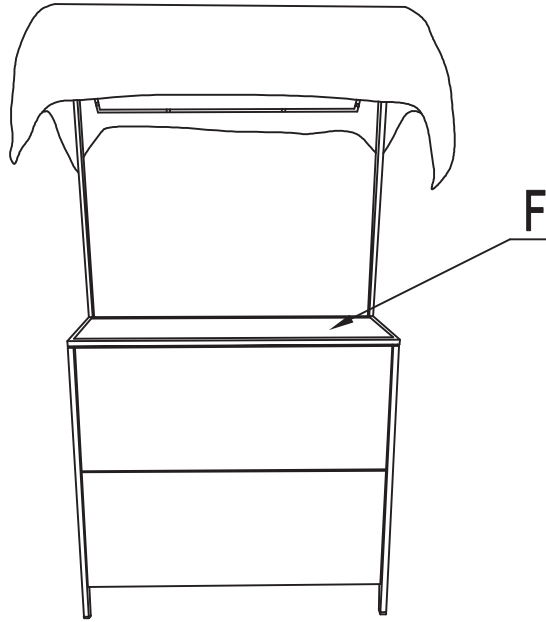
N
4PCS



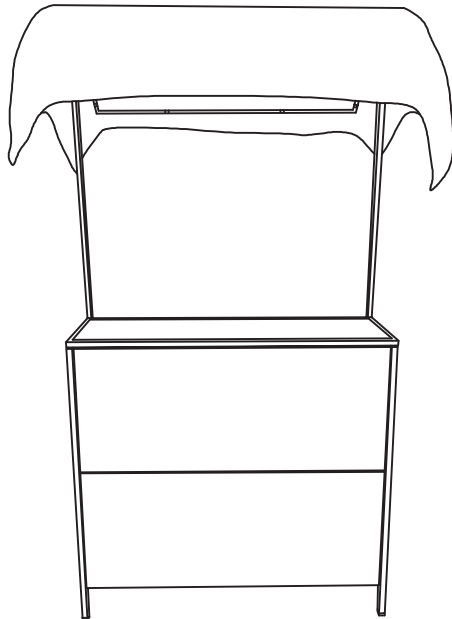
Loosen the knobs on both sides first, and then adjust the ceiling to the position you want, and then tighten knobs.



ASSEMBLE



ASSEMBLE



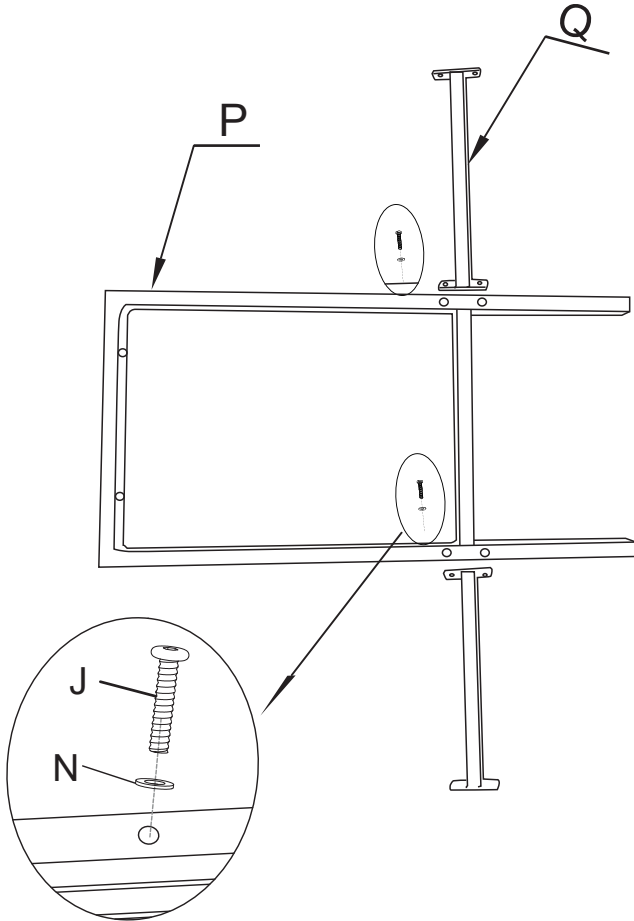
08

STEP

J
4PCS



N
4PCS



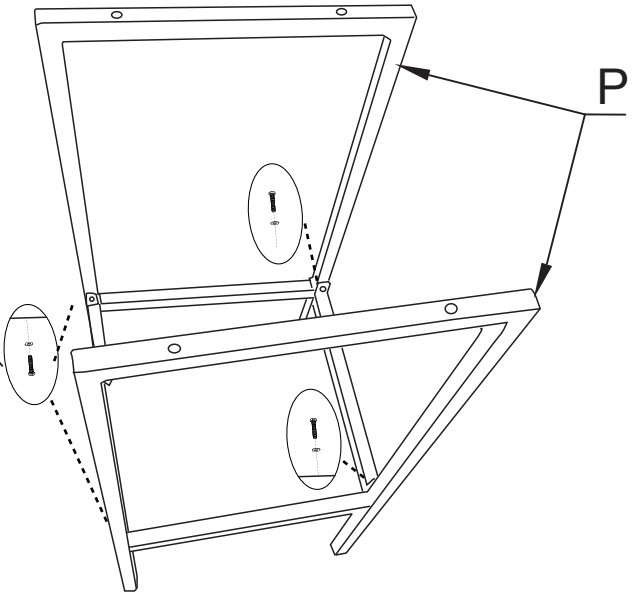
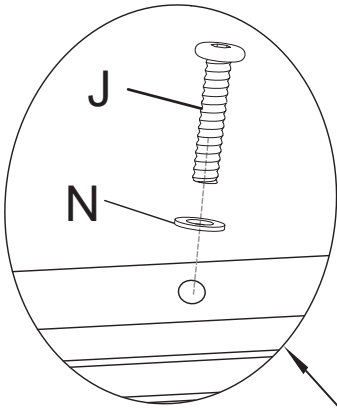
9

STEP

J
4PCS



N
4PCS



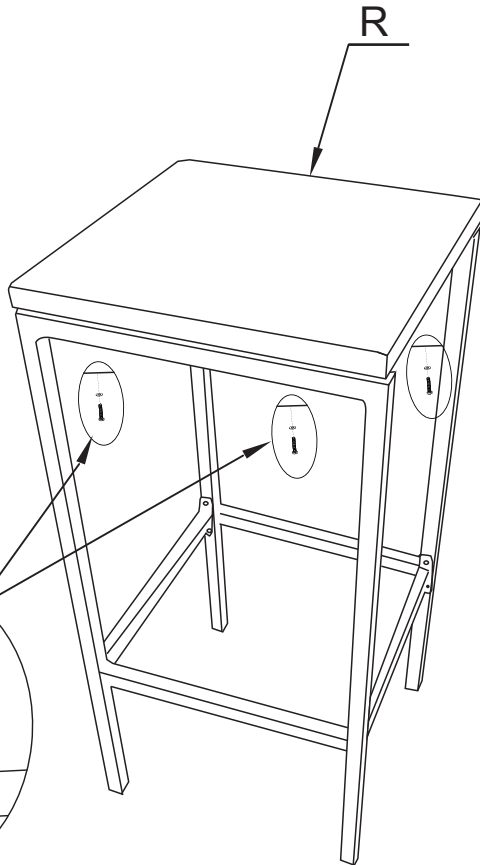
10

STEP

L
4PCS



N
4PCS



x2