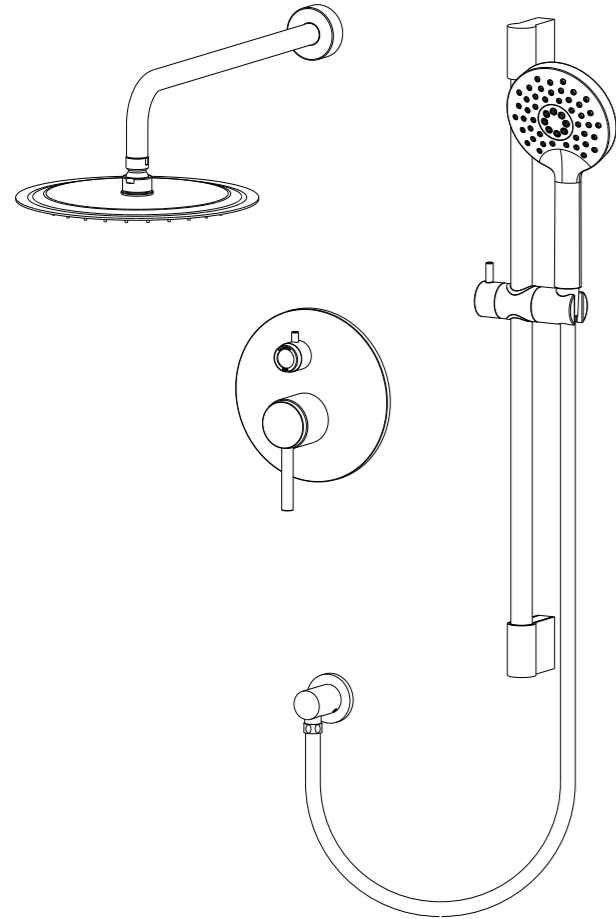


Installation Guide

FOR PRESSURE BALANCE BATH & SHOWER FAUCET

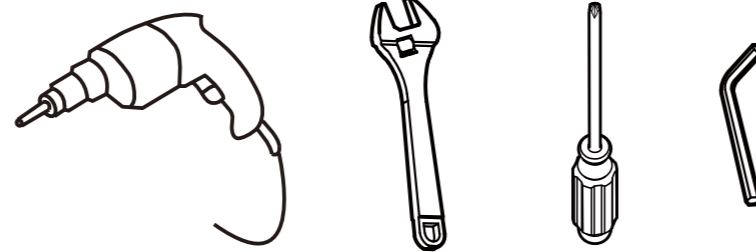


Before using please read the instruction carefully, and keep it well.

Installation Attention

1. Open the product packing; check for all the accessories according to the accessories list. If you lack any accessories, please contact your local supplier.
2. The cartridge is the main body it has been tested and adjusted in the factory, do not remove it or take it apart.
3. Before installing your new mixer, flush through the supply pipes to ensure the removal of debris to avoid and prevent clogs.
4. After installing, check the supply pipes to avoid any leakage.
5. Inlet water pressure: $0.05\text{Mpa} < \text{inlet water pressure} < 0.75\text{Mpa}$ (including cold water pressure).

TOOLS YOU'LL NEED

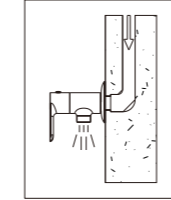


ESTIMATED ASSEMBLY TIME

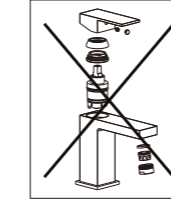


+/- 90 min.

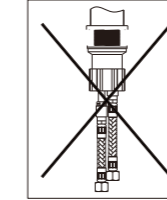
***THIS INSTALLATION PLAN MAY APPLY TO SEVERAL MODELS.**



Clean the supply pipes and make sure it's no clog & debris in water line. Otherwise it will Damage the faucet.



Do not take the faucet apart.



No leakage in the connection.

Faucet Warranty VOID

1. You must flushing your water line before you use this sprayer.
2. Unclean clog & debris in water line would cause clog to waterway and diverter spray.
3. It is required to flush your water line before turn on the sprayer of this faucet.

Maintenance

1. Replacement parts may be available at the store where you purchased your faucet.
2. Always turn off water and relieve pressure working before on your faucet.

Cleaning Instructions

1. To keep the faucet clean you should clean the faucet frequently.
2. Clean the faucet with clear water or mild, then dry the faucet with soft cotton cloths.
3. Do not use any abrasive cleansers cloths, or paper towel.
4. Do not use any acid or abrasive detergent.

Note:

We have been enhancing our products quality by constantly improving the design and performance of our products.

We reserve the right to change specifications, product descriptions, product quality, pricing and application at any time without prior written or oral notice.

Accessories list

