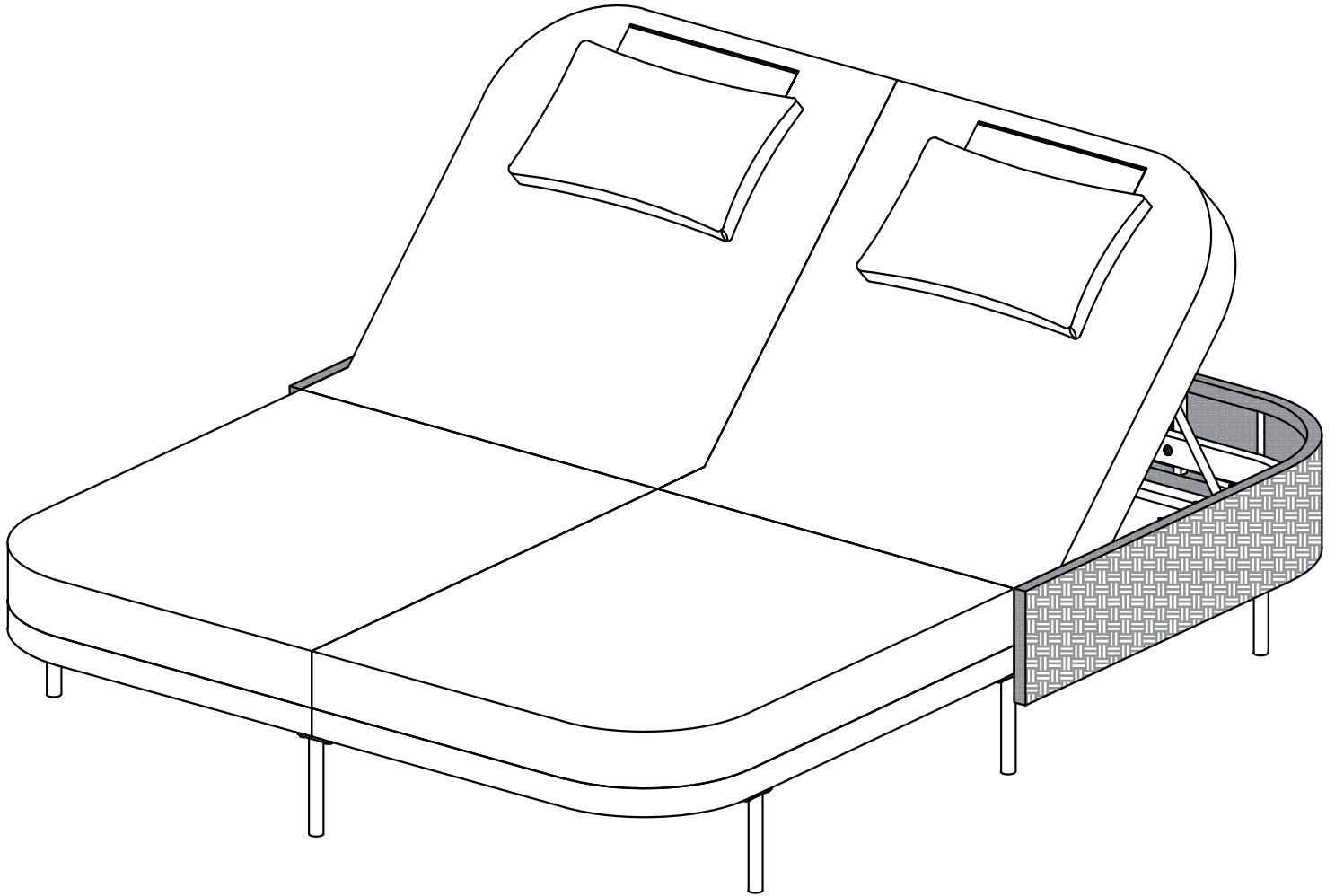


OUTDOOR DAYBED



Please read all instructions carefully:

- 1. Have 2 adults on hand for assembly.**
- 2. 50% Tighten before fixing all screws, Allen wrench is recommended instead of an electric drill.**
- 3. Place the item on a flat ground to adjust and make sure it remains stable.**
- 4. Tighten up all screws with tools gradually.**
- 5. If the screws are not aligned with holes during assembly, please loosen all the other screws to 50% and continue the assembly process.**
- 6. If the item is not stable, please loosen all the screws, adjust it on a flat ground and tighten up all screws again.**
- 7. Note : If one or some screws are fully tightened during assembly, chances are the others will not be aligned with holes. In addition, all the holes are designed to be relatively larger to provide more space for the adjustment of the screws.**

Assembly Instruction

Caution: You must read these Assembly Instructions before you proceed.



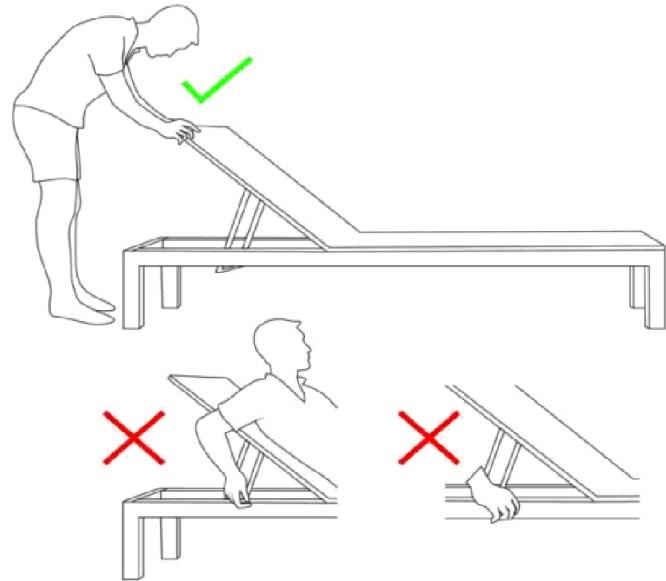
SAFETY WARNING

Never adjust chaise lounge or recliner backrest while seated.

Always make sure the backrest is flat before moving the chaise lounge.











Keep all limbs clear from under the backrest when it is in a raised position.

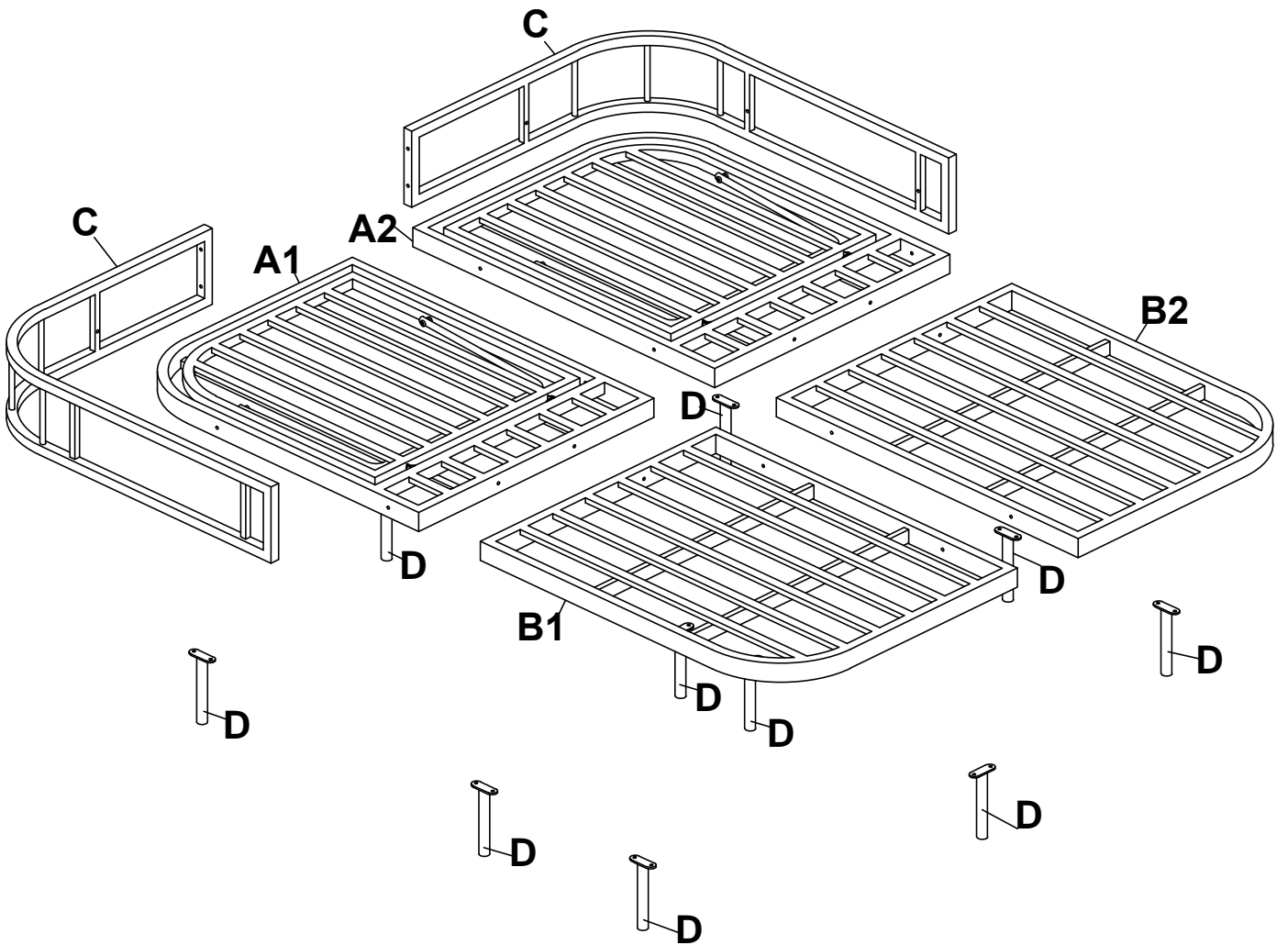
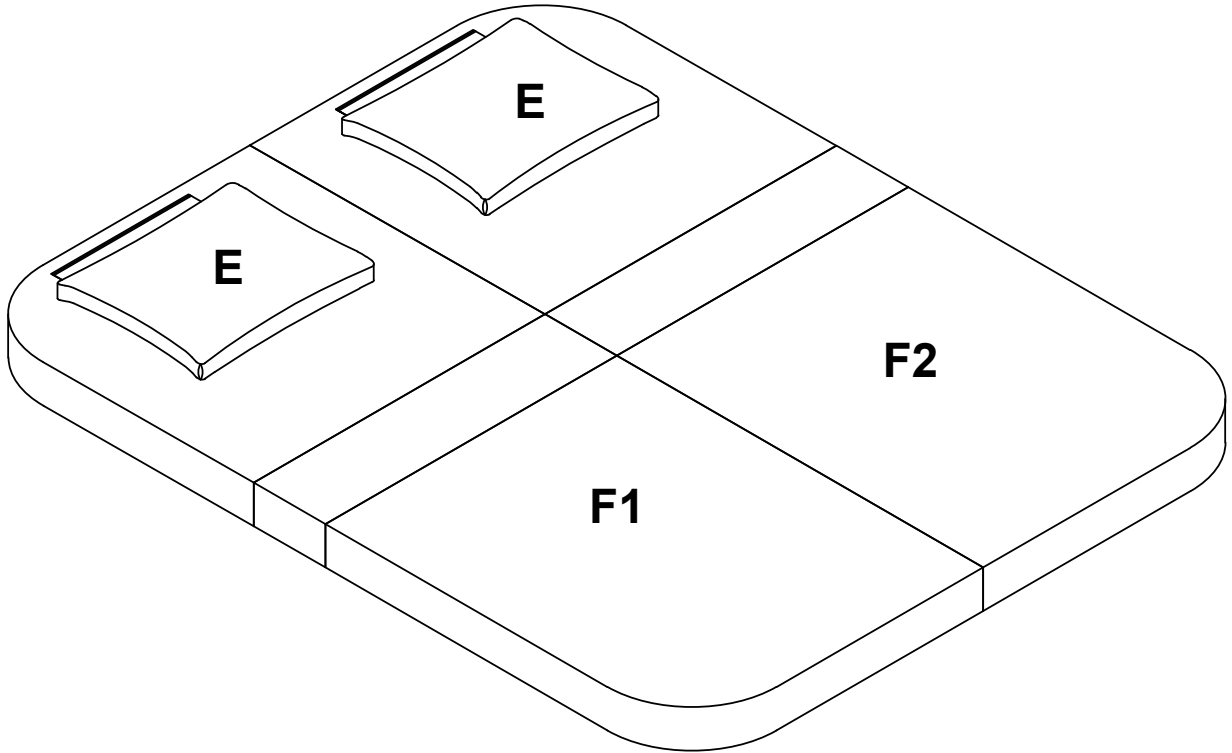
Serious finger, hand, or other bodily injuries may result from adjusting the chaise lounge backrest position while seated.



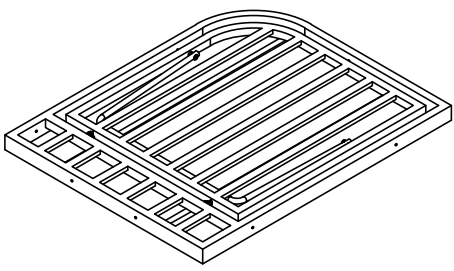
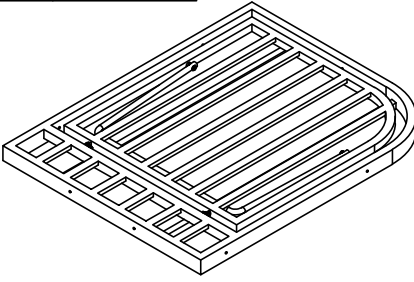
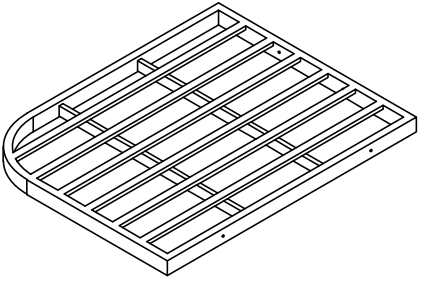
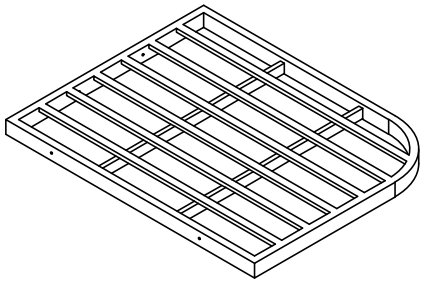
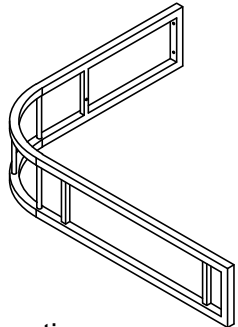

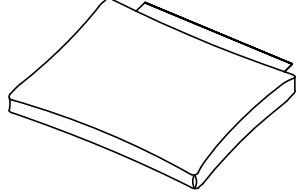
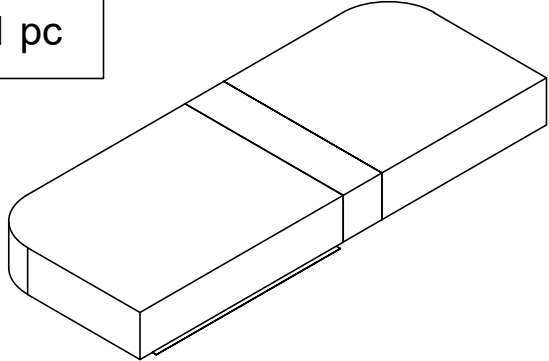
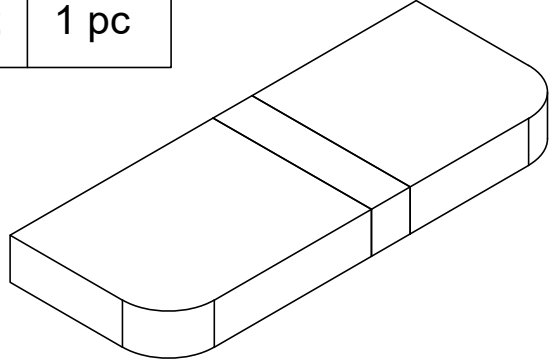
The examples pictured above are non exhaustive and are for your reference only

Care & Maintenance




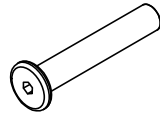




- ⊘  • Not for commercial use. For residential use only.
- ⊘  • Do not put hot items directly on furniture surface.
- ⊘  • Do not clean furniture with harsh cleansers or polish.
- ✓  • To obtain the longest lifespan of your outdoor products, minimizing exposure to direct sunlight is recommended.
- ⊘  • Prolonged exposure to rain may cause rusting which can stain floors.
- ⊘  • Children should not climb or jump on the furniture.
- ⊘  • Do not write on furniture without a padded barrier to protect the surface.
- ✓  • To obtain the longest lifespan of your outdoor products, avoid extended and lengthy exposure to rain, snow, and direct sunshine. Whenever possible cover the product and /or place under patio or awnings.
- ⊘  • Stains may be removed with mild soap solution and damp cloth.
- ✓  • Dust and pick-up spills using a clean, non-colored, lint-free cloth.



Part List :

A1 1 pc		A2 1 pc		B1 1 pc		
 Top left frame		 Top right frame		 Bottom left frame		
B2 1 pc		C 2 pcs		D 10 pcs	E 2 pcs	
 Bottom right frame		 Decorative cover		 Chair legs		
 Pillow						
F1 1 pc	 Left mattress			F2 1 pc	 Right mattress	

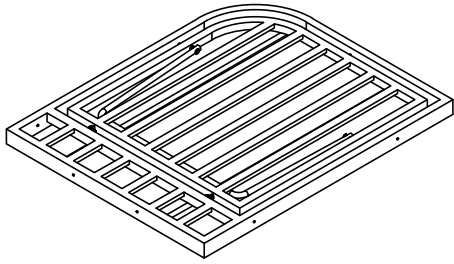
Hardware list:

1	28pcs+Extra 3pcs	2	6pcs+Extra 1pc	3	38pcs+Extra 3pcs	4	8 pcs + Extra 1pc	
 BOLT M6x15		 BOLT M6x35		 Washer M6x15x1		 Blind Rivet Nut M6x45		
5	2 pcs+Extra 1pc	6	2 pcs+Extra 1pc	7	2 pcs	8	1 pc	
 BOLT M6x65		 Nut M6		 Allen Wrench		 wrench		

CARTON CONTENT:

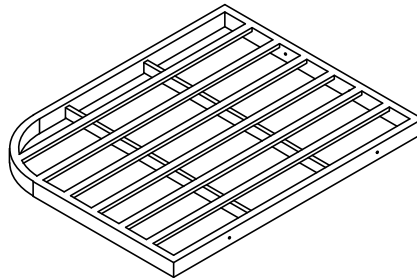
BOX 1

A1 1 pc



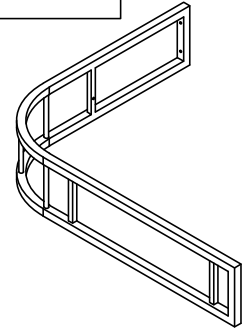
Top left frame

B1 1 pc



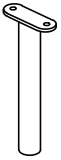
Bottom left frame

C 1 pc



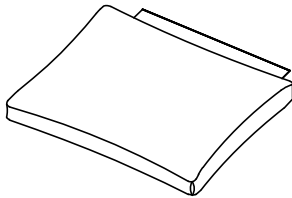
Decorative cover

D 5 pcs



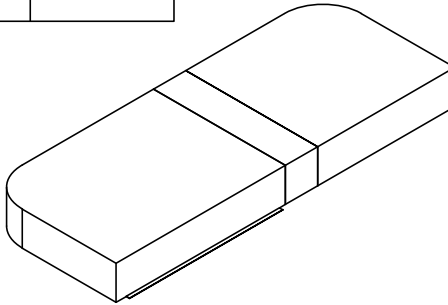
Chair legs

E 1 pc

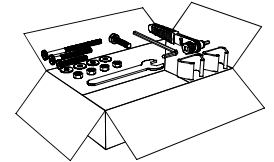


Pillow

F1 1 pc



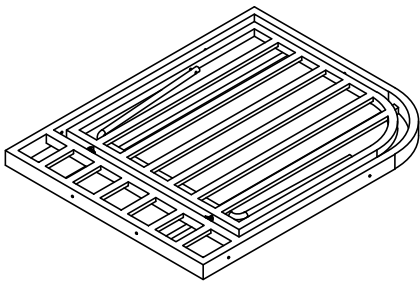
Left mattress



Hardware

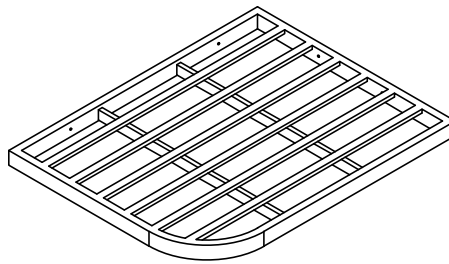
BOX 2

A2 1 pc



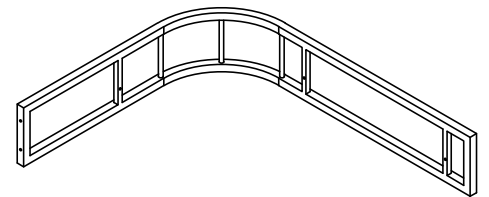
Top right frame

B2 1 pc



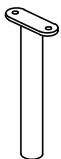
Bottom right frame

C 1 pc



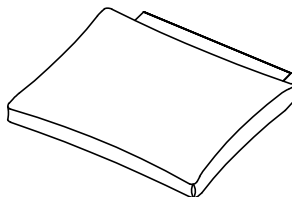
Decorative cover

D 5 pcs



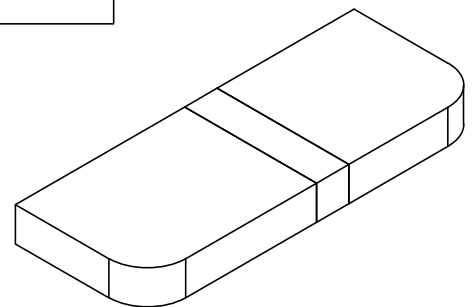
Chair legs

E 1 pc



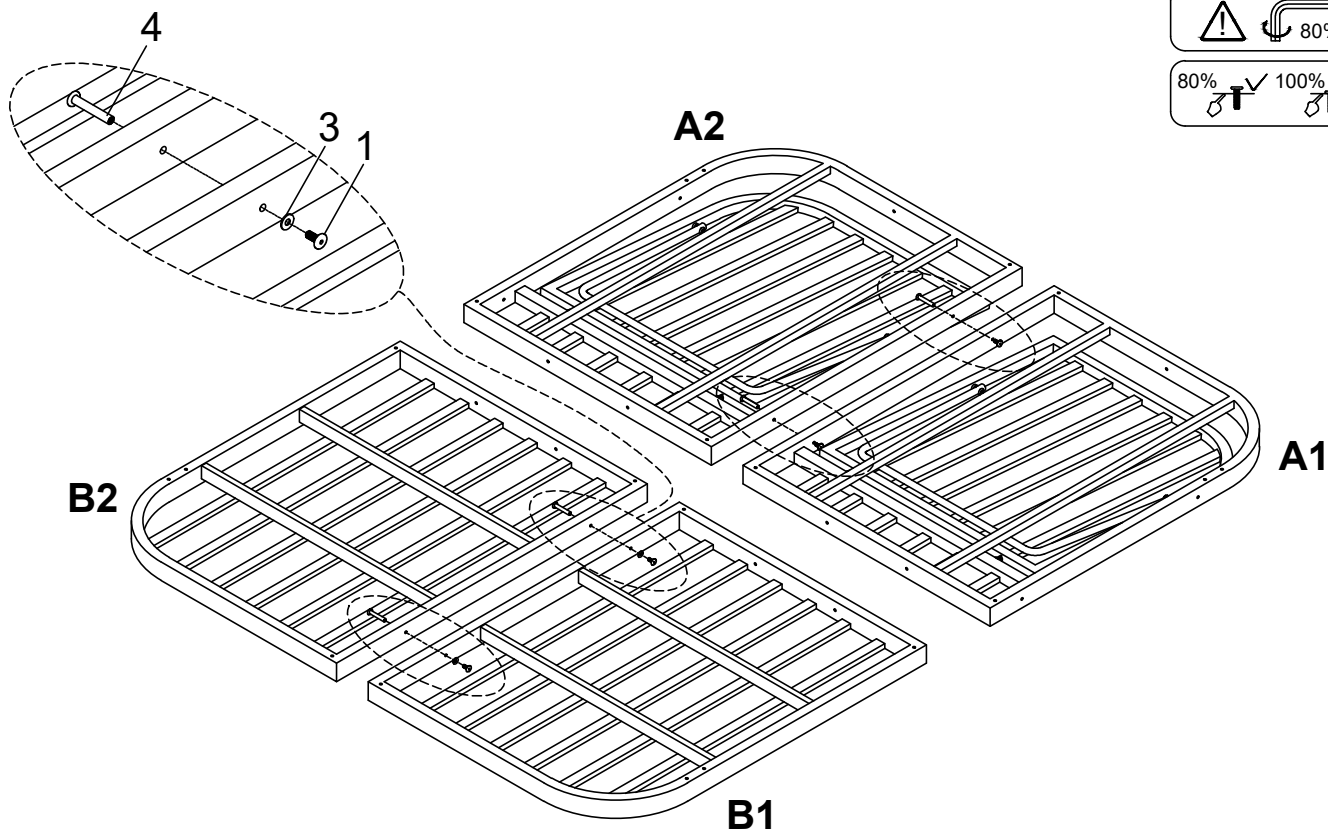
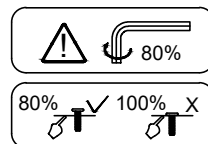
Pillow

F2 1 pc



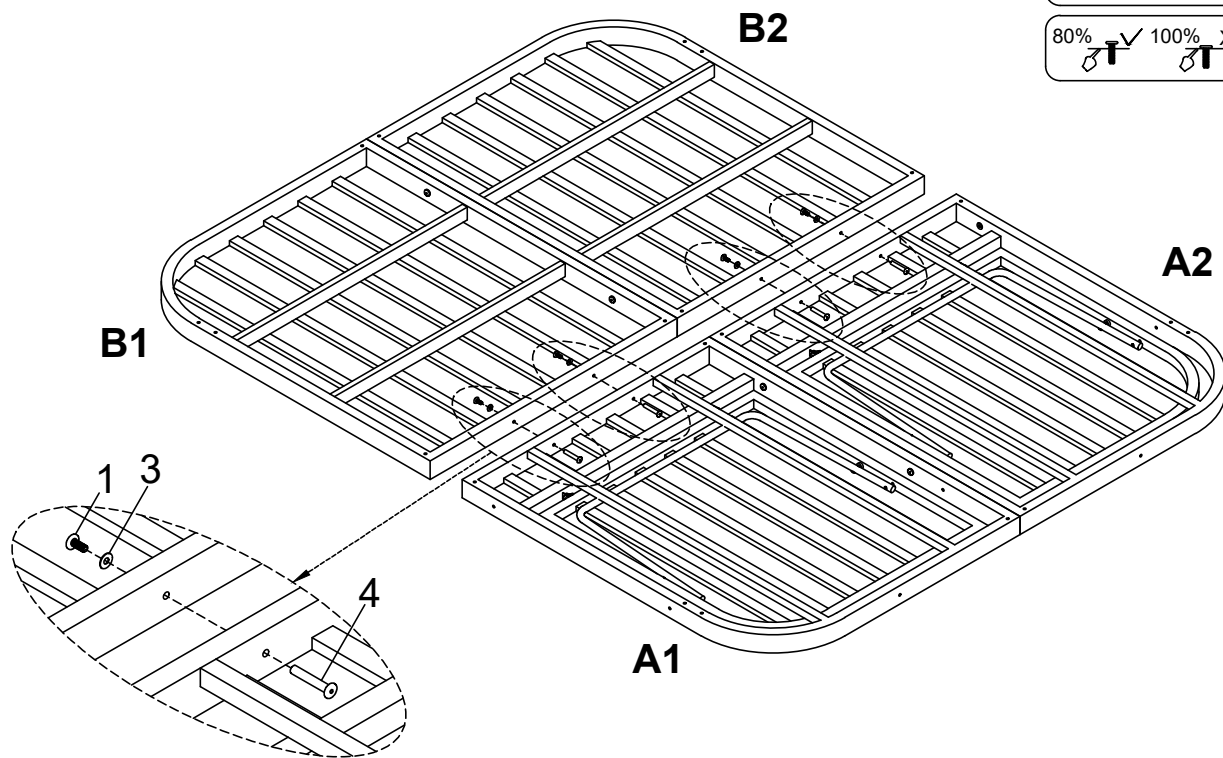
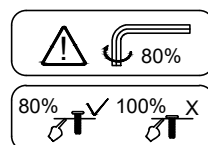
Right mattress

1



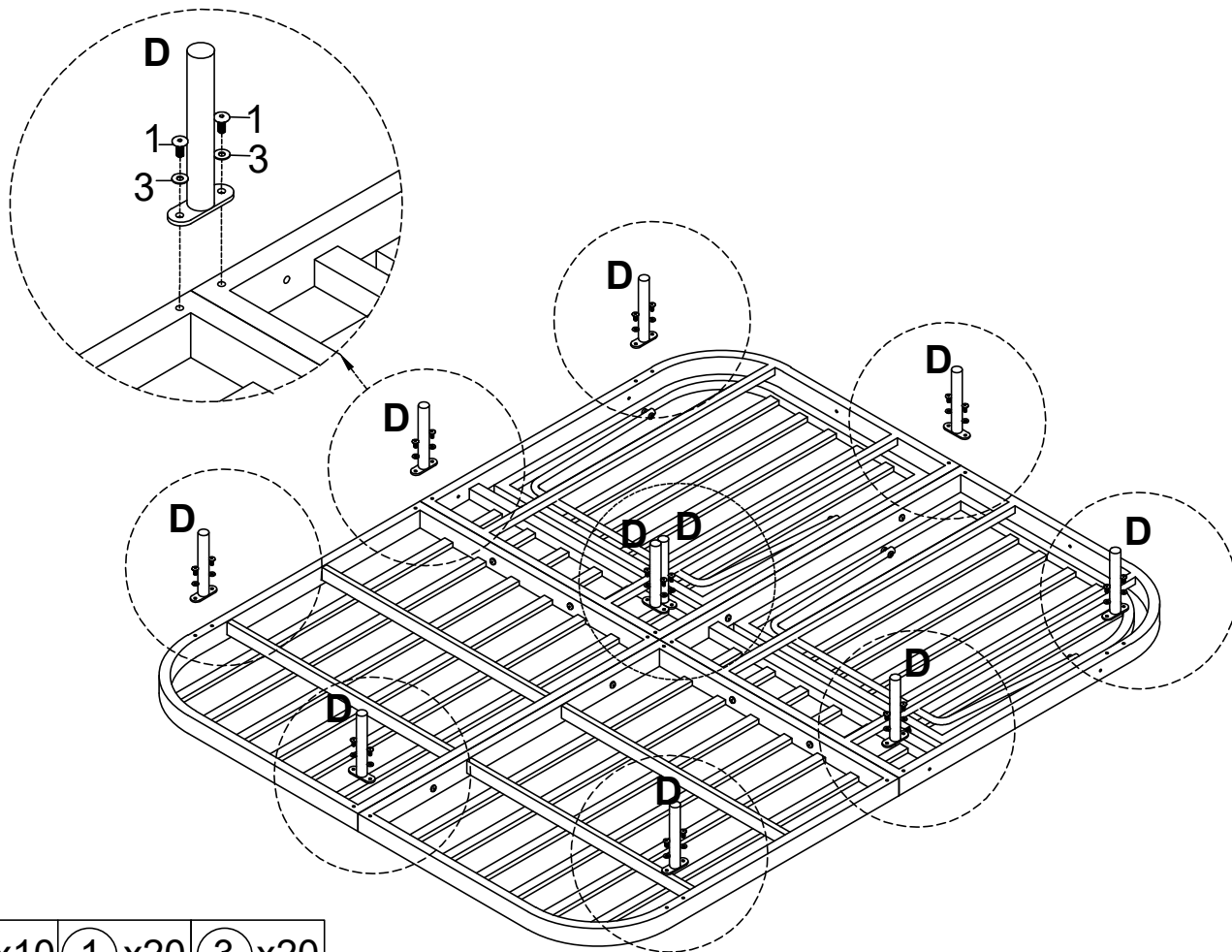
- | | | | | | | |
|----------|----------|----------|----------|---------|---------|---------|
| (A1) x 1 | (A2) x 1 | (B1) x 1 | (B2) x 1 | (1) x 4 | (3) x 4 | (4) x 4 |
|----------|----------|----------|----------|---------|---------|---------|

2



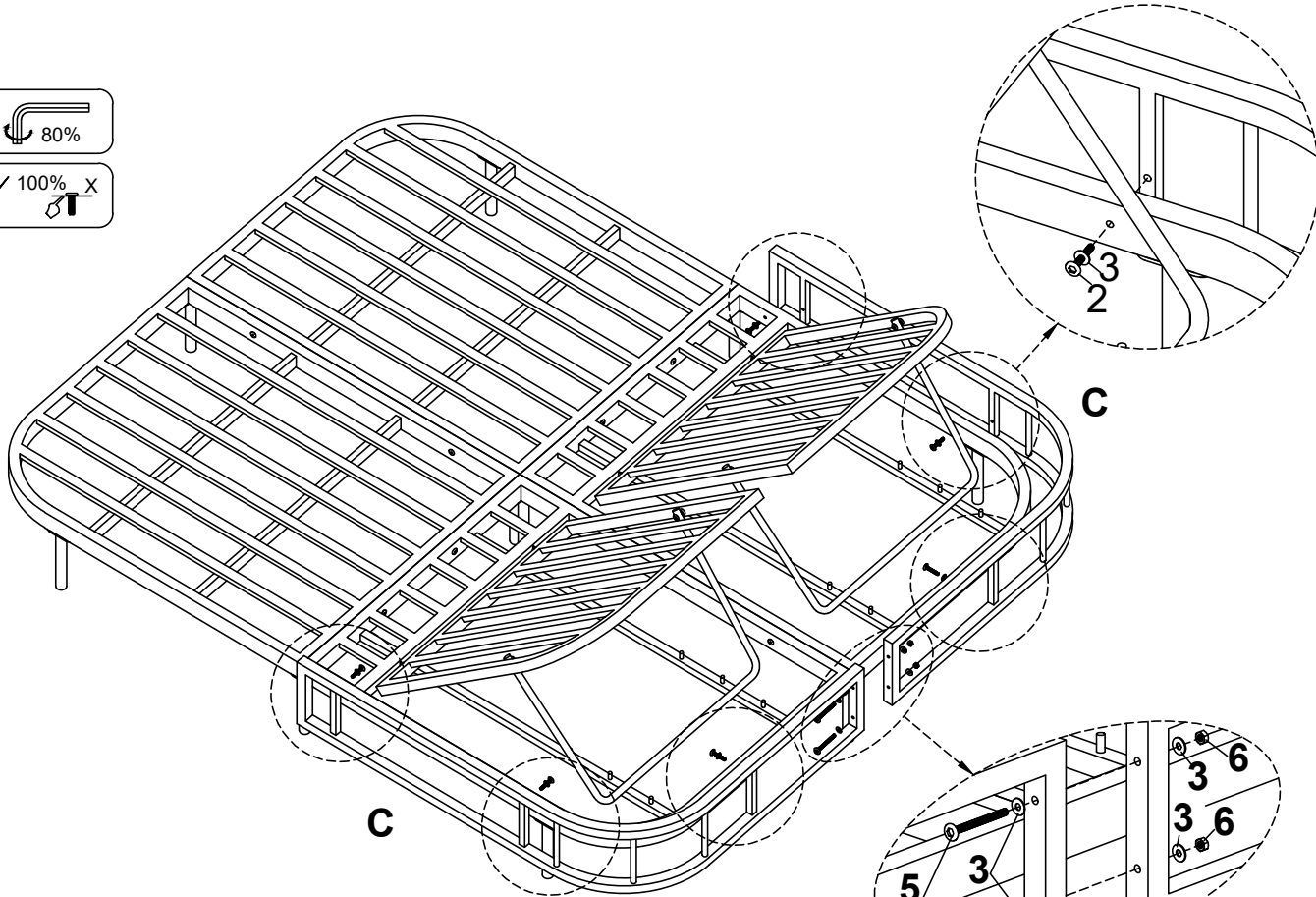
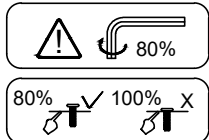
- | | | |
|---------|---------|---------|
| (1) x 4 | (3) x 4 | (4) x 4 |
|---------|---------|---------|

3



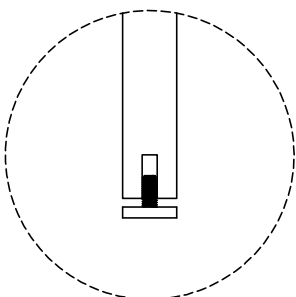
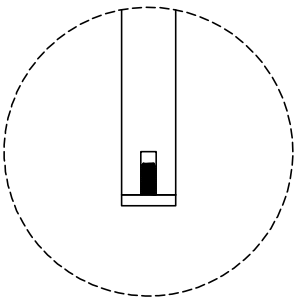
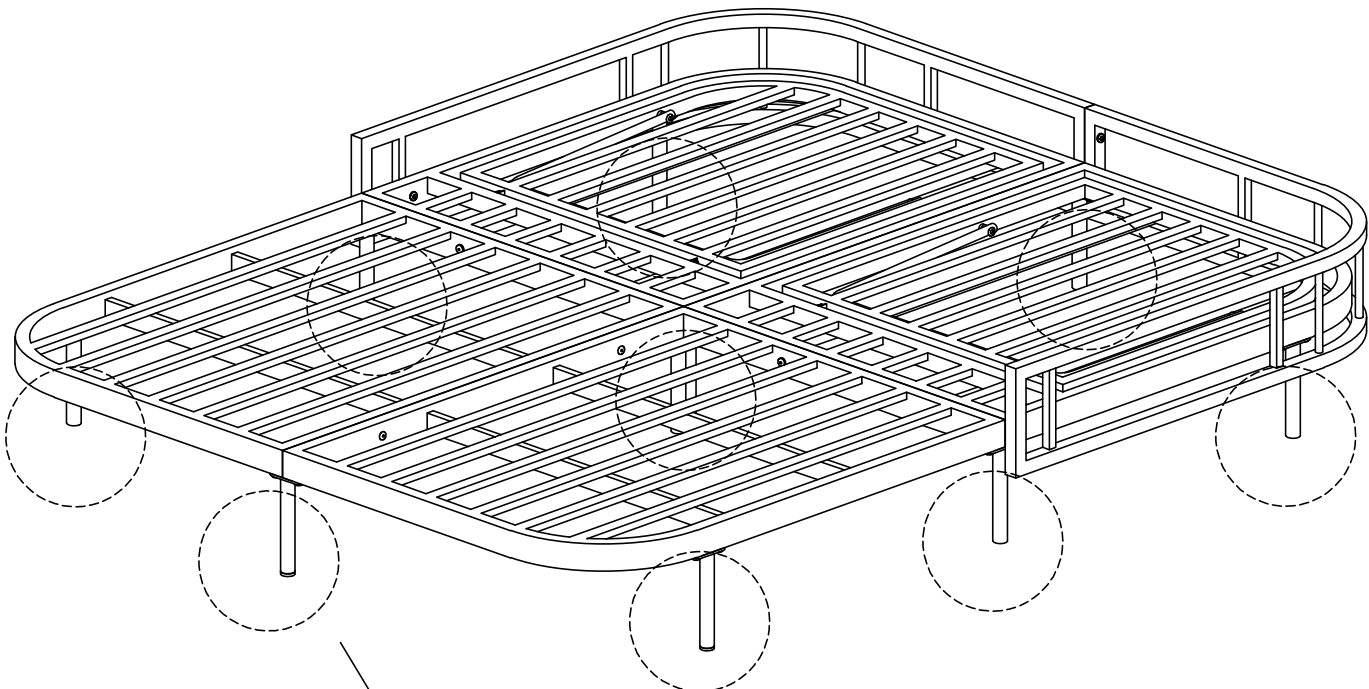
(D) x10	(1) x20	(3) x20
---------	---------	---------

4



(C) x2	(2) x6	(3) x10	(5) x2	(6) x2
--------	--------	---------	--------	--------

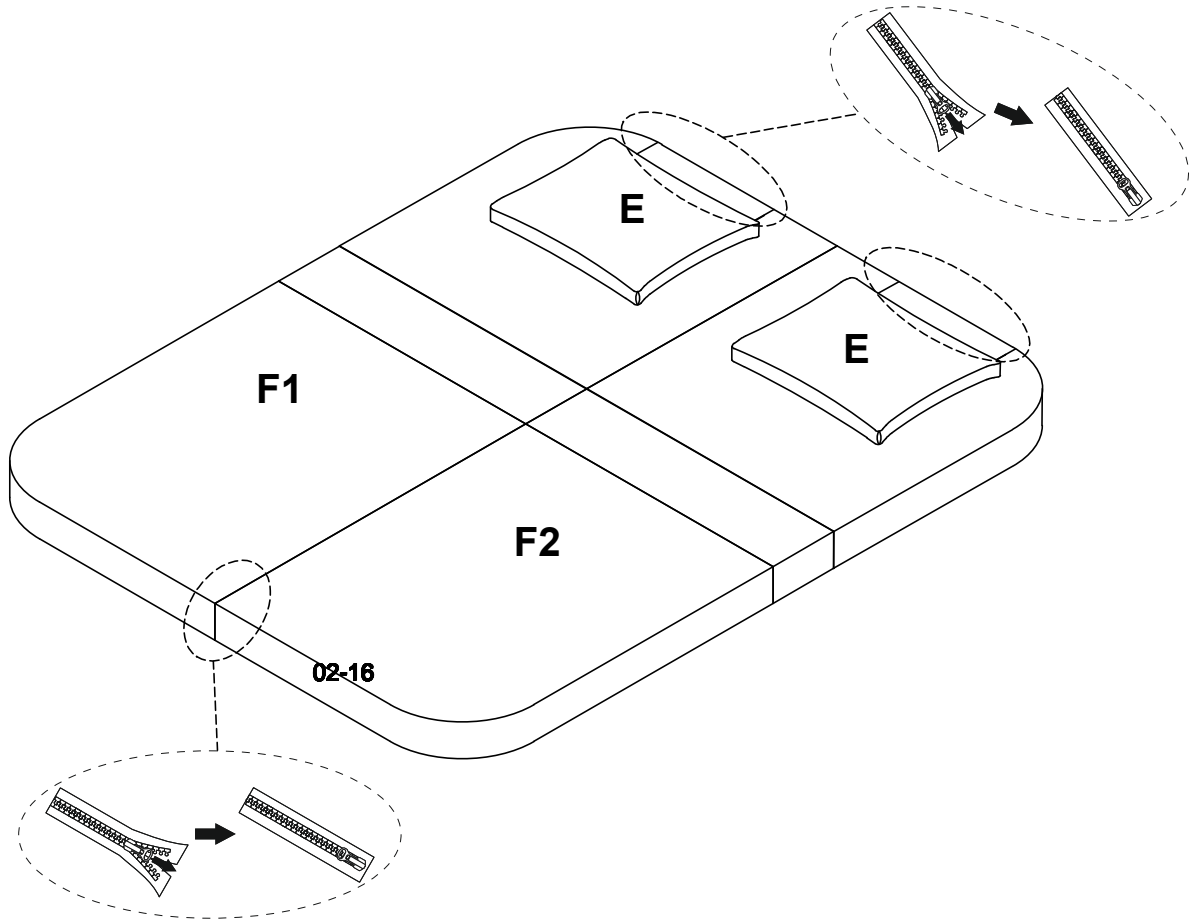
5



Adjust high for balance Adjust low to balance

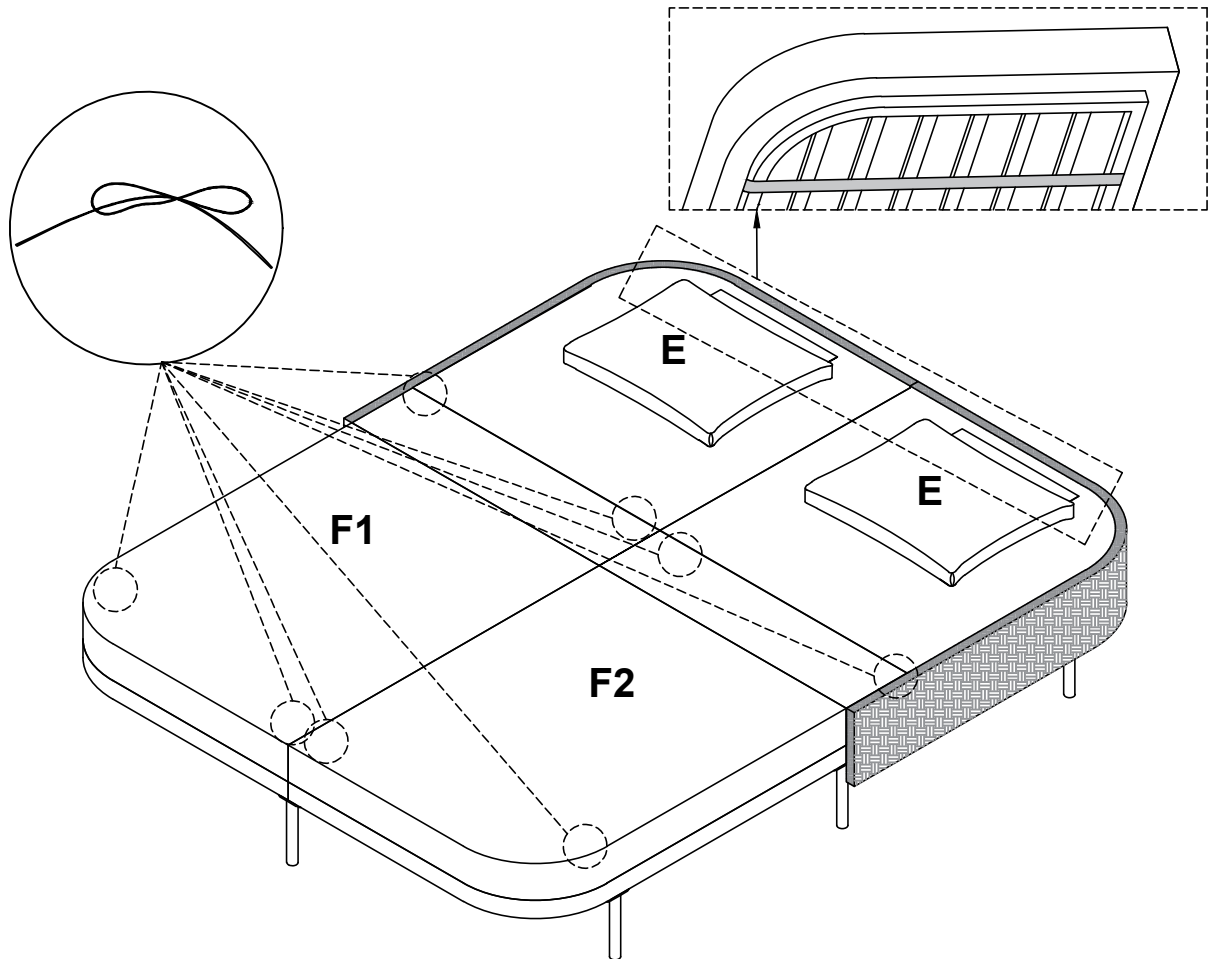
Adjust pre-installed levelers height of balance

6

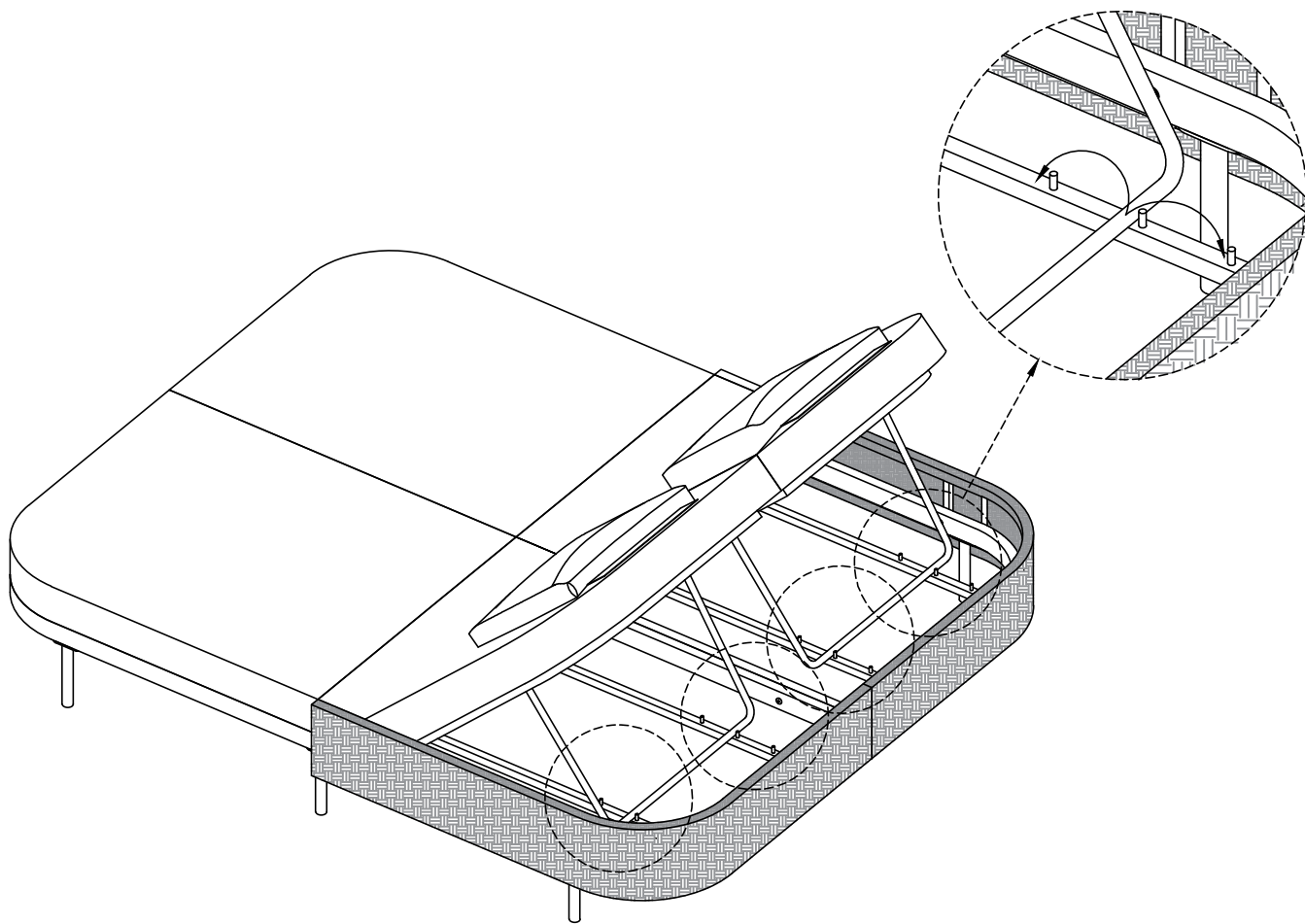


⊙ E x2	⊙ F1 x1	⊙ F2 x1
--------	---------	---------

7



8



9

