

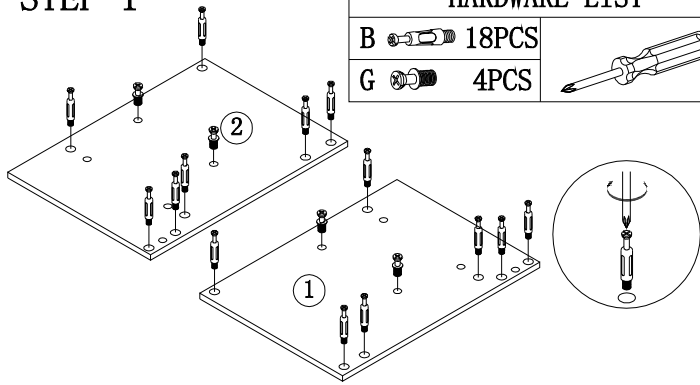
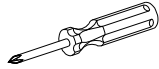
INSTALLATIONS

STEP 1

HARDWARE LIST

B  18PCS

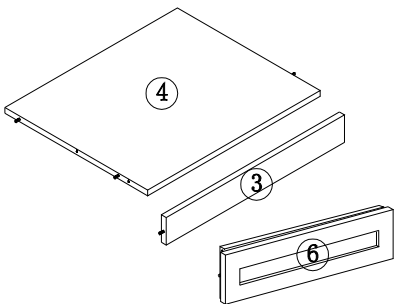
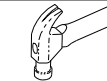
G  4PCS



STEP 2


HARDWARE LIST

D  8PCS

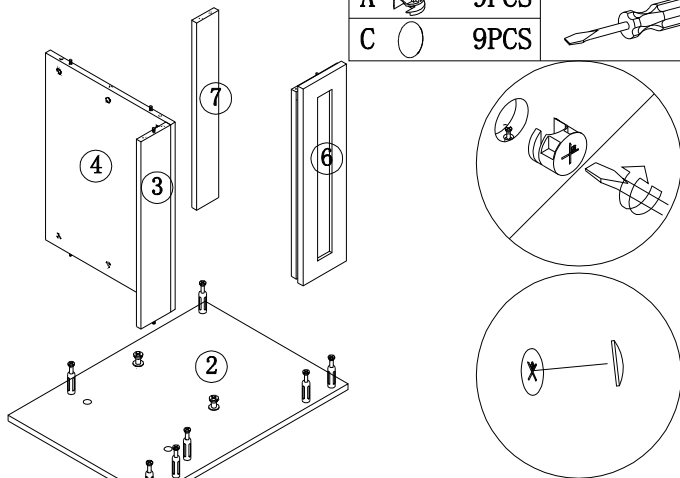
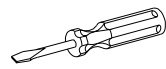


STEP 3

HARDWARE LIST


A  9PCS


C  9PCS

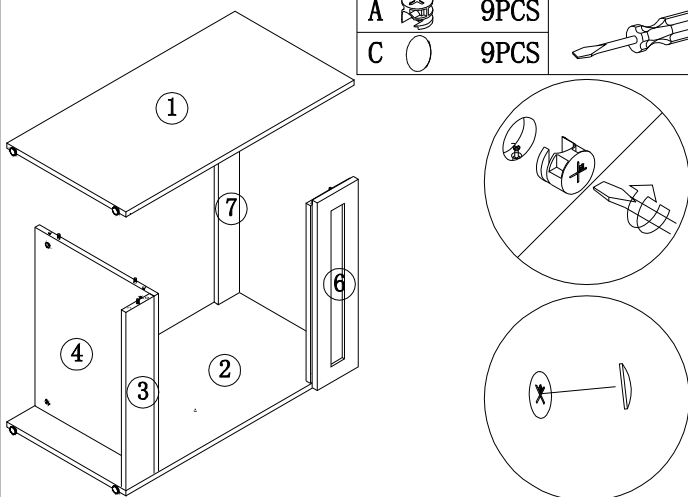
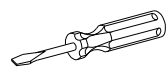


STEP 4

HARDWARE LIST

A  9PCS

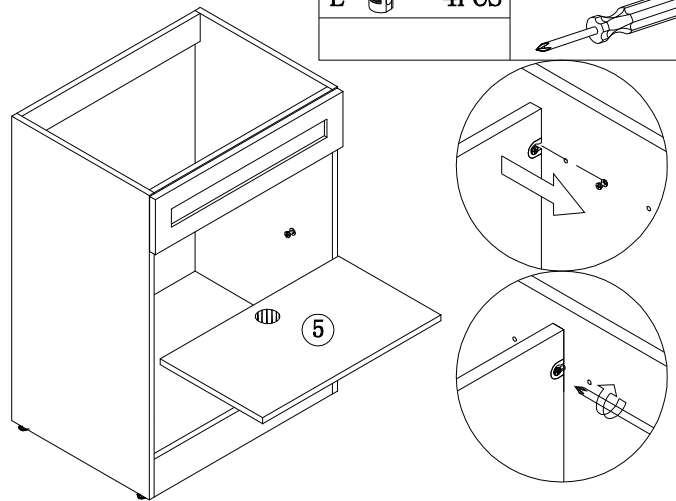
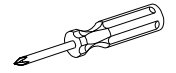
C  9PCS



STEP 5


HARDWARE LIST

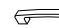
E  4PCS



STEP 6

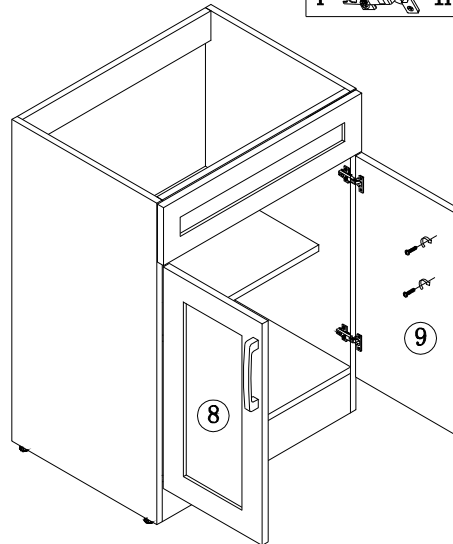
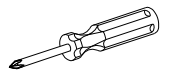
HARDWARE LIST

H  24PCS

J  2PCS

I  4PCS

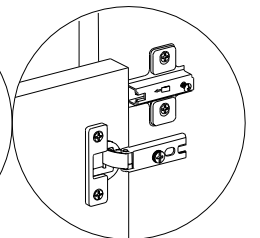
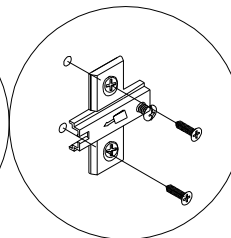
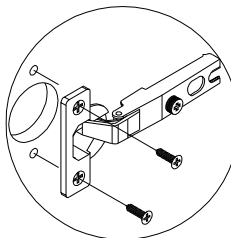
F  4PCS



1

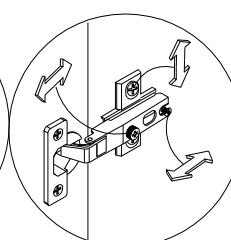
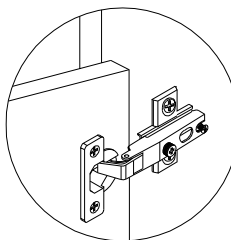
2

3

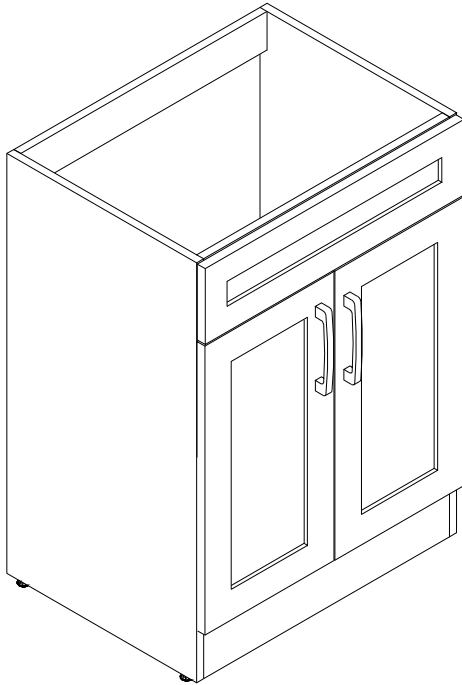


4

5



STEP 7



Choking hazard-Small Parts : This unit contains small parts, not for children under 3 years.

Tip-over hazard : Secure finished unit to wall stud using L-Bracket and wall screw (#10*1.5"W/out provided). If a wall stud is

not neccessible ,Consault your local hardware store for appropriate mounting hardware . Failure to properly install will result in product collapse or tip-over. Serious injury can occur .