

ASSEMBLY INSTRUCTIONS



TOOLS REQUIRED



Allen Wrench

(Included)



Phillips
Screwdriver

(Not Included)



2 - People
Recommended

ASSEMBLY RATING

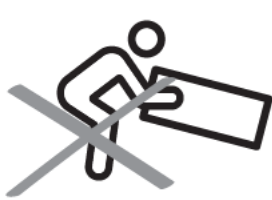


EASY —————> DIFFICULT

The Assembly Rating is a 5-point system showing the level of effort needed to assemble a specific product.

PRE ASSEMBLY INTRODUCTION

We understand building ready-to-assemble furniture can be a challenging experience for some. To help avoid confusion, we have provided some helpful tips that may speed up the process.



Teamwork

ALWAYS have at least two people to help with transporting and assembling the product to avoid potential injury and/or damage.



Suitable Location

Assembling near the area of the intended location is highly recommended.



Sufficient Space

Make sure you have enough space to move around during the assembly.



Avoid Scratches

Use cardboard, blankets or a carpeted area while assembling furniture to prevent scratches.



Flat Surface

Make sure the furniture rests on a flat and level surface with each leg evenly touching the floor.

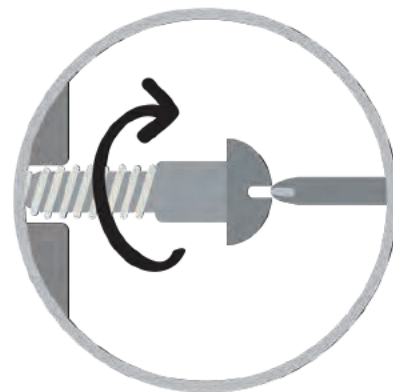
ASSEMBLY AND CARE ADVICE



FAILURE TO FOLLOW THE GUIDELINES BELOW MAY RESULT IN INJURY AND/OR PROPERTY DAMAGE.



Position each part correctly and insert screws or bolts into their respective holes.



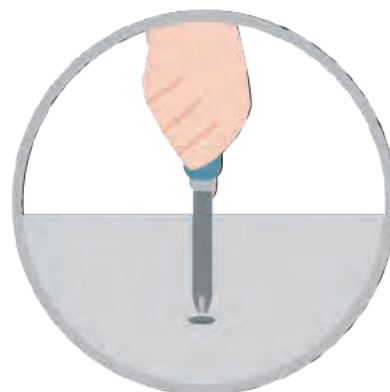
Turn clockwise to tighten and only tighten when step is completed or when instructed to do so.



Use the appropriate hand tools or power tools for assembly. Select steps, such as tightening screws and/or bolts, may require hand tools to avoid causing damage during assembly.



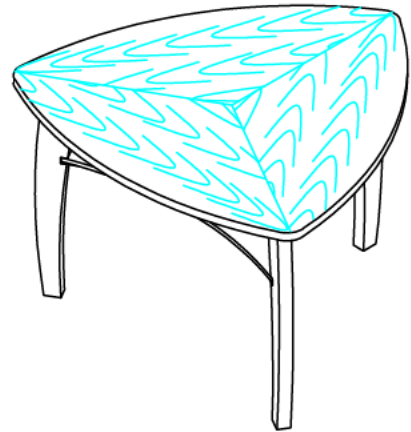
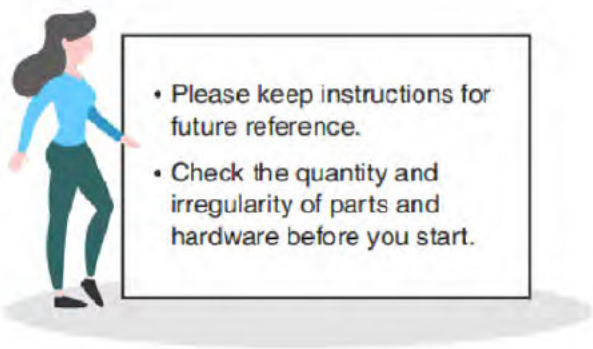
Save the instructions and store any supplied tools for later maintenance.



After two weeks, check and tighten any loose hardware and repeat again every six months thereafter.

IT IS THE USER'S RESPONSIBILITY TO MAINTAIN THE FURNITURE. THE HARDWARE MAY LOOSEN OVER TIME AND MAY CAUSE THE FURNITURE TO BE WOBBLY AND UNABLE TO SUPPORT ITS INTENDED WEIGHT CAPACITY. THIS MAY LEAD TO COLLAPSE AND MAY CAUSE SERIOUS INJURY.

TABLE



PARTS

#1 1pc

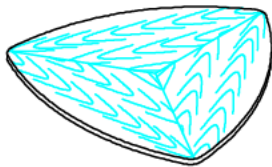


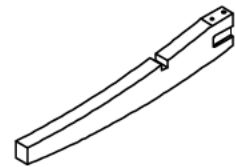
Table Top

#2 1pc



Shelf

#3 3pcs



Leg

HARDWARE

#A 6pcs



Bolt Ø5/16" x 3"

#B 6pcs



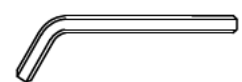
Lock washer

#C 6pcs



Flat washer

#D 1pc



Allen Wrench

#E 6pcs

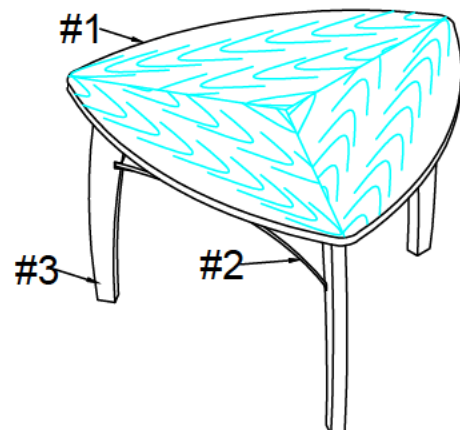


Screw M4x20mm

#F 3pcs



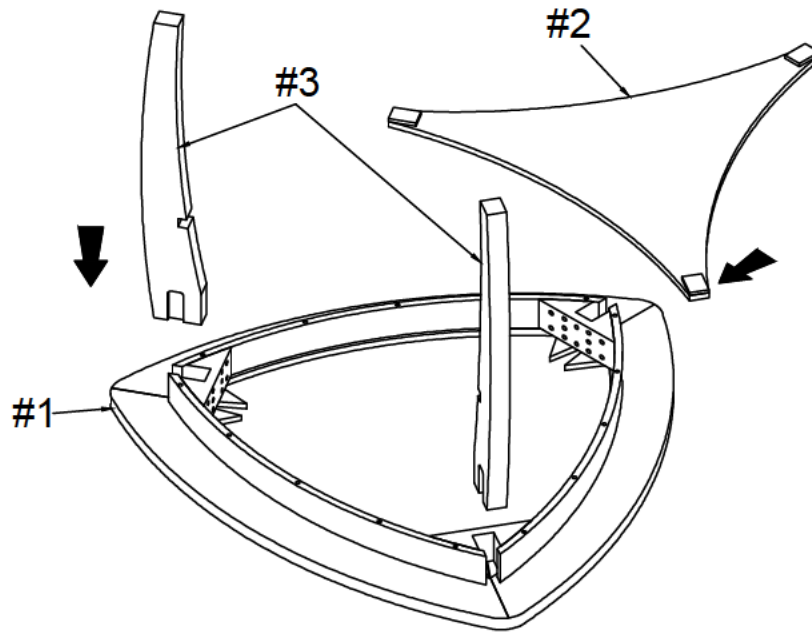
Bass L



ASSEMBLY INSTRUCTIONS

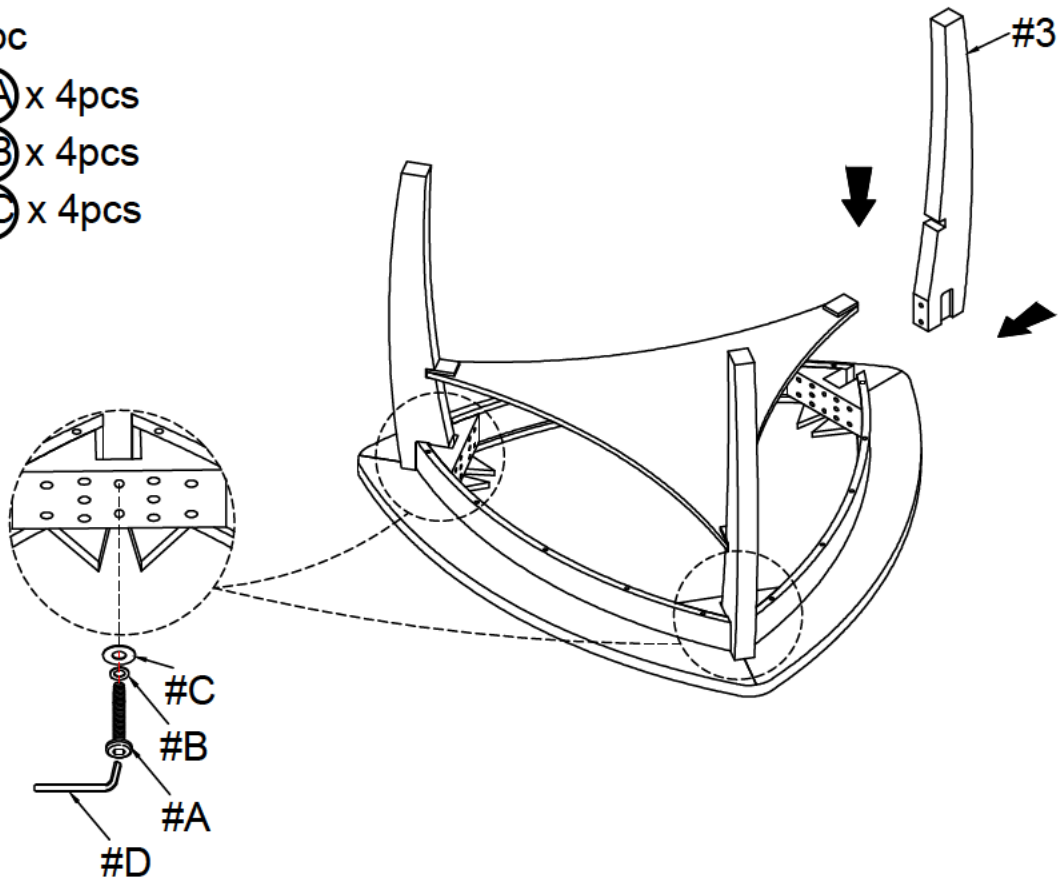
1

- Part #1 x1pc
- Part #2 x1pc
- Part #3 x2pcs



2

- Part #3 x1pc
- Hardware #A x 4pcs
- Hardware #B x 4pcs
- Hardware #C x 4pcs



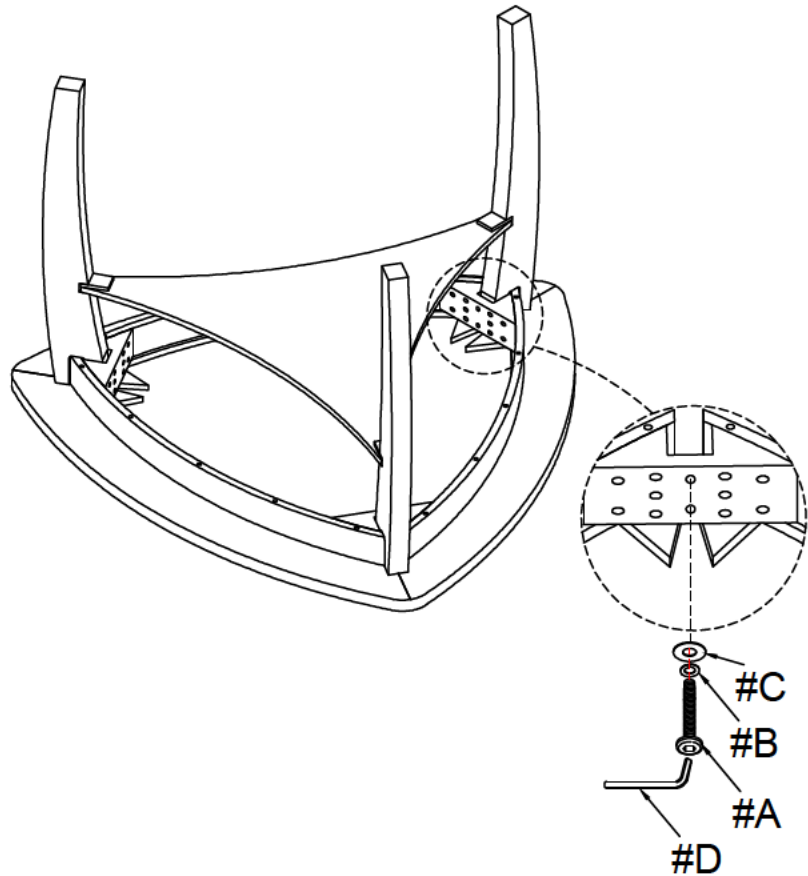
ASSEMBLY INSTRUCTIONS

3

Hardware #A x 2pcs

Hardware #B x 2pcs

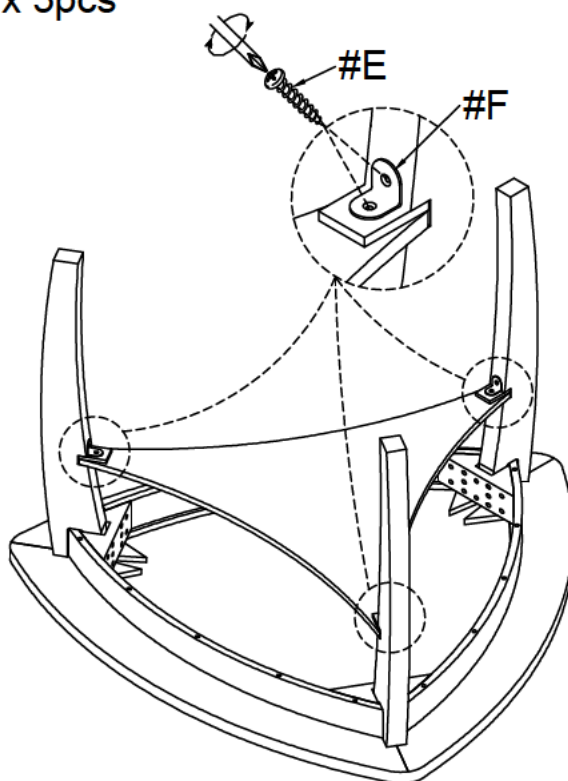
Hardware #C x 2pcs



4

Hardware #E x 6pcs

Hardware #F x 3pcs



ASSEMBLY COMPLETED



Please ensure the furniture rests on an even and flat surface. If the product wobbles or feels loose, double-check all bolts and/or screws are properly tightened and secured.



Keep this handy!

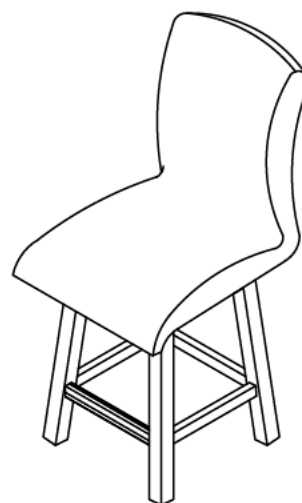
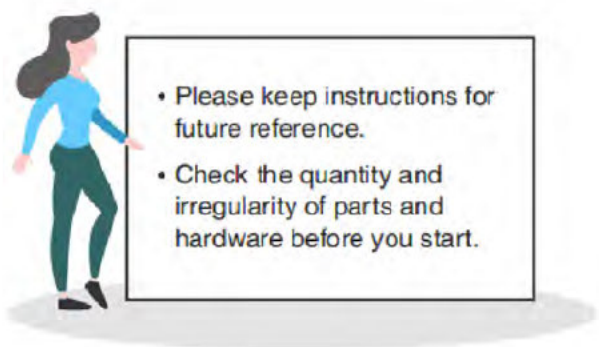
Please retain this instruction manual and any order-related information for future reference.



Lift, don't drag!

To avoid damage to product please always LIFT the product when transporting or adjusting the placement.

HEIGHT CHAIR



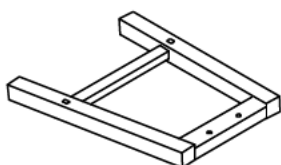
PARTS

#1 2pcs



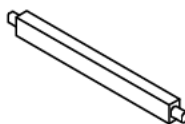
Back rest W/Leg

#2 4pcs



Leg Stand

#3 2pcs



Rear Leg Support

#4 2pcs



Front Leg Support

HARDWARE

#A 8pcs



Lock washer

#B 8pcs



Flat washer

#C 8pcs



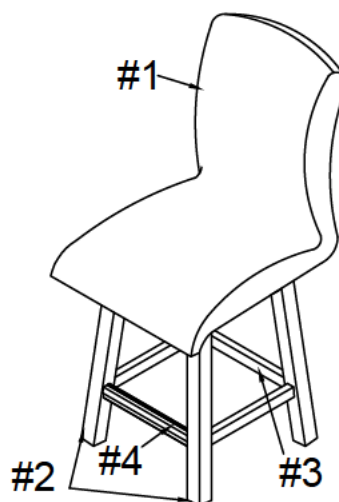
Allen Wrench

#D 2pcs

#E 8pcs



Screw M4x40mm



x2

ASSEMBLY INSTRUCTIONS

1

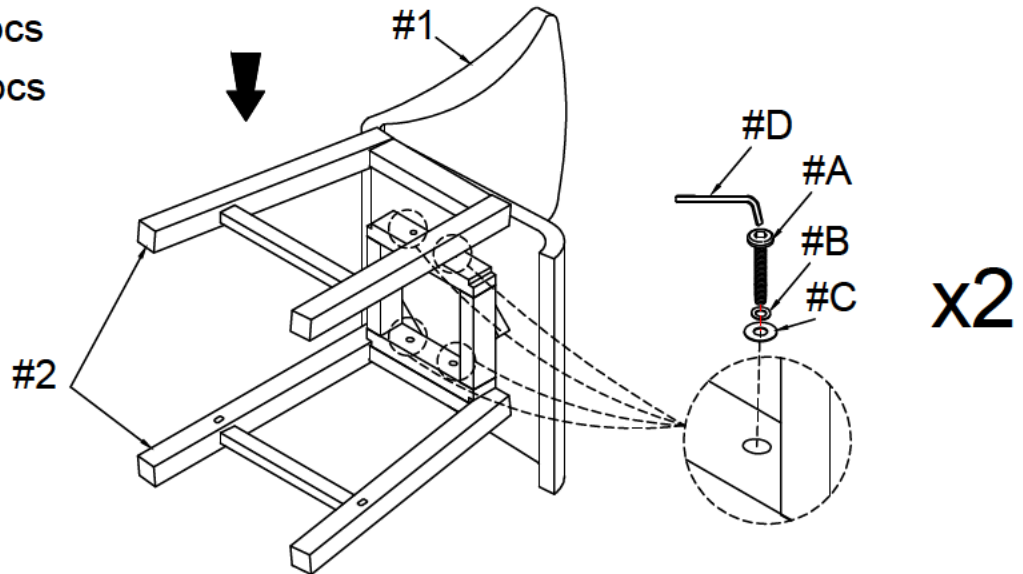
Part #1 x2pcs

Part #2 x4pcs

Hardware #A x 8pcs

Hardware #B x 8pcs

Hardware #C x 8pcs

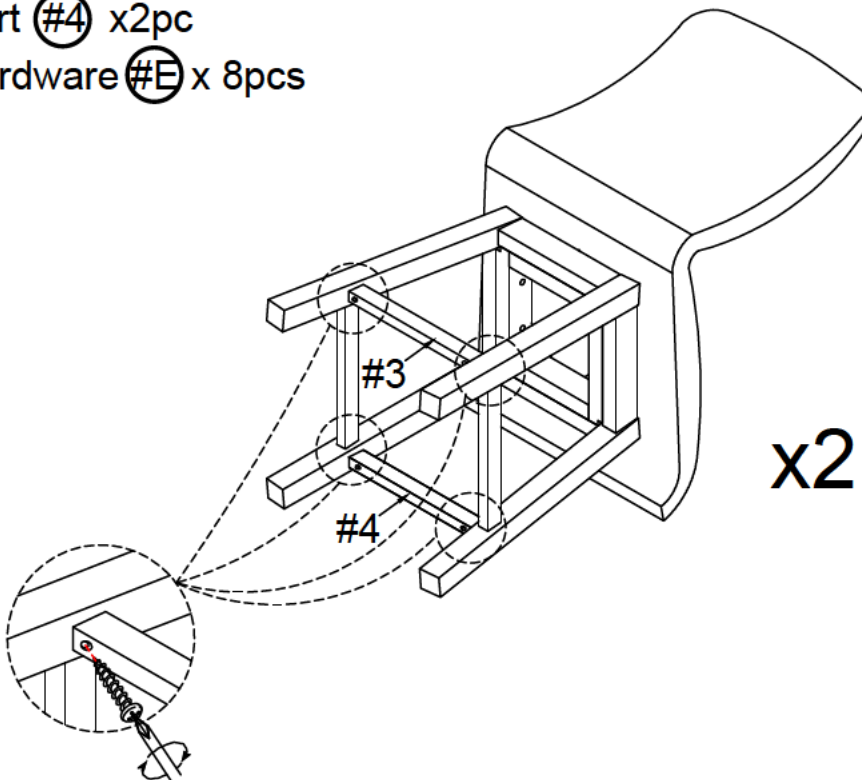


2

Part #3 x2pc

Part #4 x2pc

Hardware #E x 8pcs



ASSEMBLY COMPLETED



Please ensure the furniture rests on an even and flat surface. If the product wobbles or feels loose, double-check all bolts and/or screws are properly tightened and secured.



Keep this handy!

Please retain this instruction manual and any order-related information for future reference.



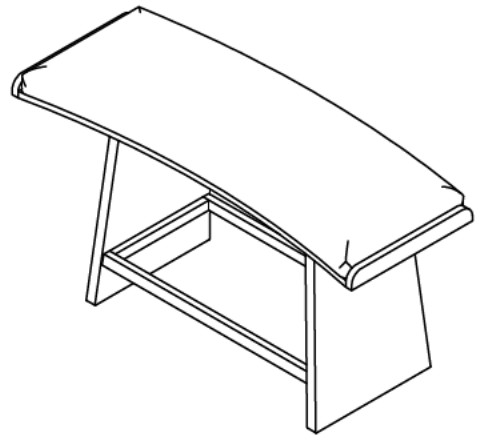
Lift, don't drag!

To avoid damage to product please always LIFT the product when transporting or adjusting the placement.

HEIGHT BENCH



• Please keep instructions for future reference.
 • Check the quantity and irregularity of parts and hardware before you start.



PARTS

#1 1pc



Leg Stand(L)

#2 1pc



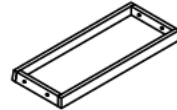
Leg Stand(R)

#3 1pc



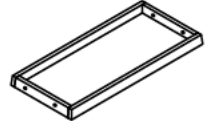
Cushion with seat frame

#4 1pc



Leg Support on

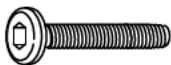
#5 1pc



Leg Support below

HARDWARE

#A 8pcs



..... Lock washer

#B 8pcs



Lock washer

#C 8pcs

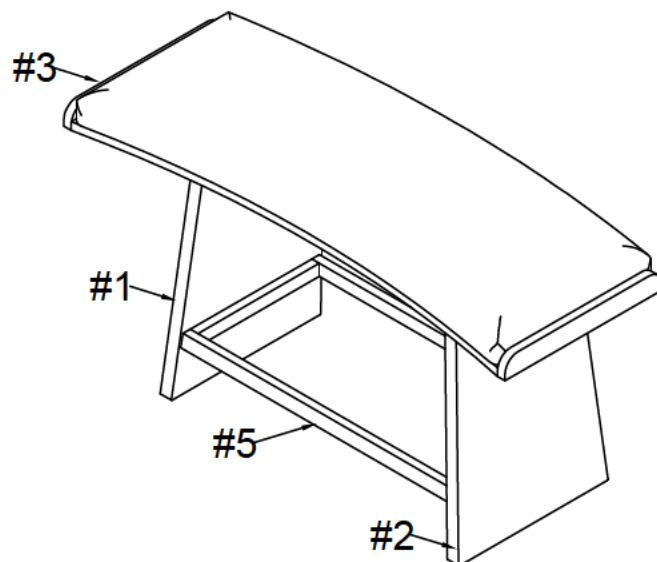


Flat washer

#D 1pc



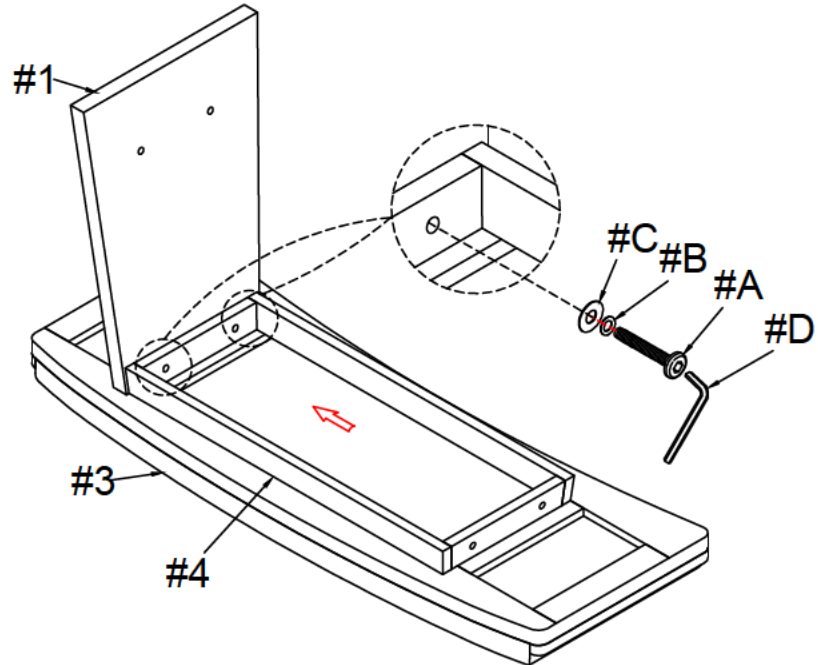
Allen Wrench



ASSEMBLY INSTRUCTIONS

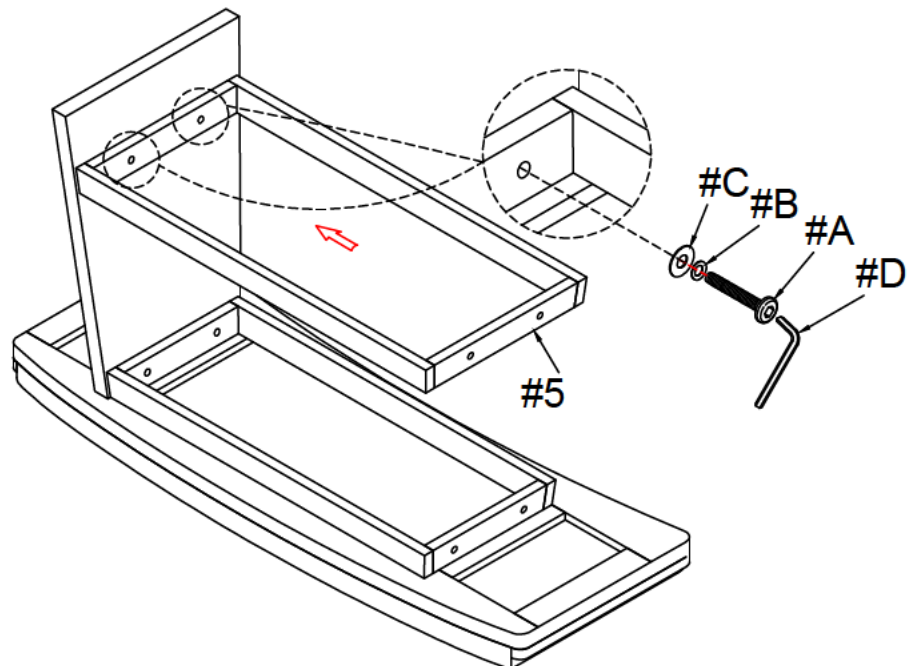
1

- Part #1 x1pc
- Part #3 x1pc
- Part #4 x1pc
- Hardware #A x 2pcs
- Hardware #B x 2pcs
- Hardware #C x 2pcs



2

- Part #5 x1pc
- Hardware #A x 2pcs
- Hardware #B x 2pcs
- Hardware #C x 2pcs



ASSEMBLY INSTRUCTIONS

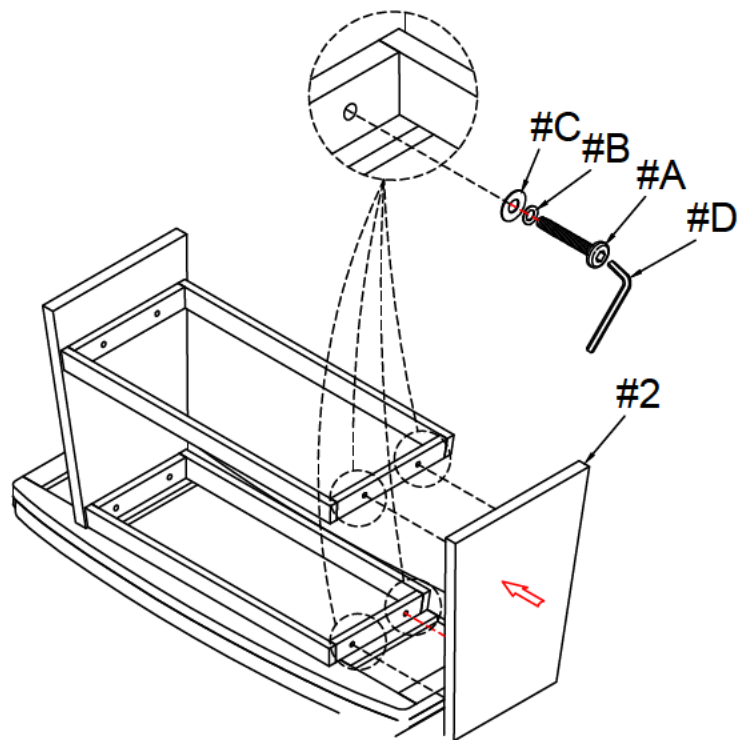
3

Part #2 x1pc

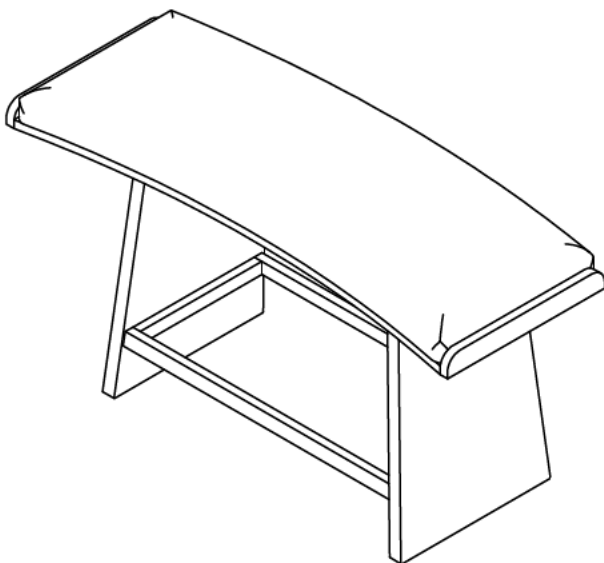
Hardware #A x 4pcs

Hardware #B x 4pcs

Hardware #C x 4pcs



4



ASSEMBLY COMPLETED



Please ensure the furniture rests on an even and flat surface. If the product wobbles or feels loose, double-check all bolts and/or screws are properly tightened and secured.



Keep this handy!

Please retain this instruction manual and any order-related information for future reference.



Lift, don't drag!

To avoid damage to product please always LIFT the product when transporting or adjusting the placement.