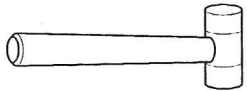
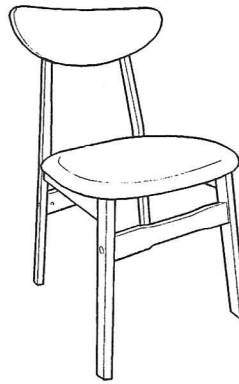


ASSEMBLY
INSTRUCTIONS

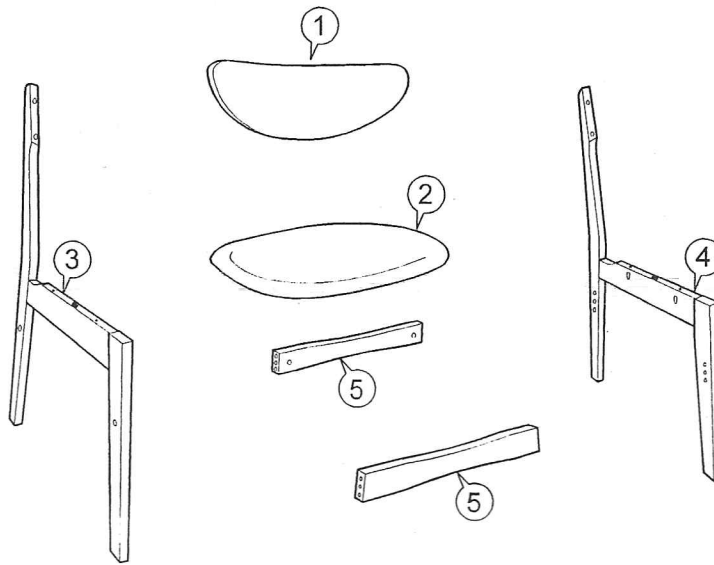
ITEM : YUMIKO DINING CHAIR II



Not Provided

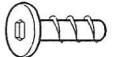


Part List :



Hardware List

A M7 x 25mm (Black) = 8



C M4 x 25mm = 8



E M8 x 30mm = 20



B M6 x 60mm (Black) = 8



D M6 x 13mm = 8



F M4 = 1

