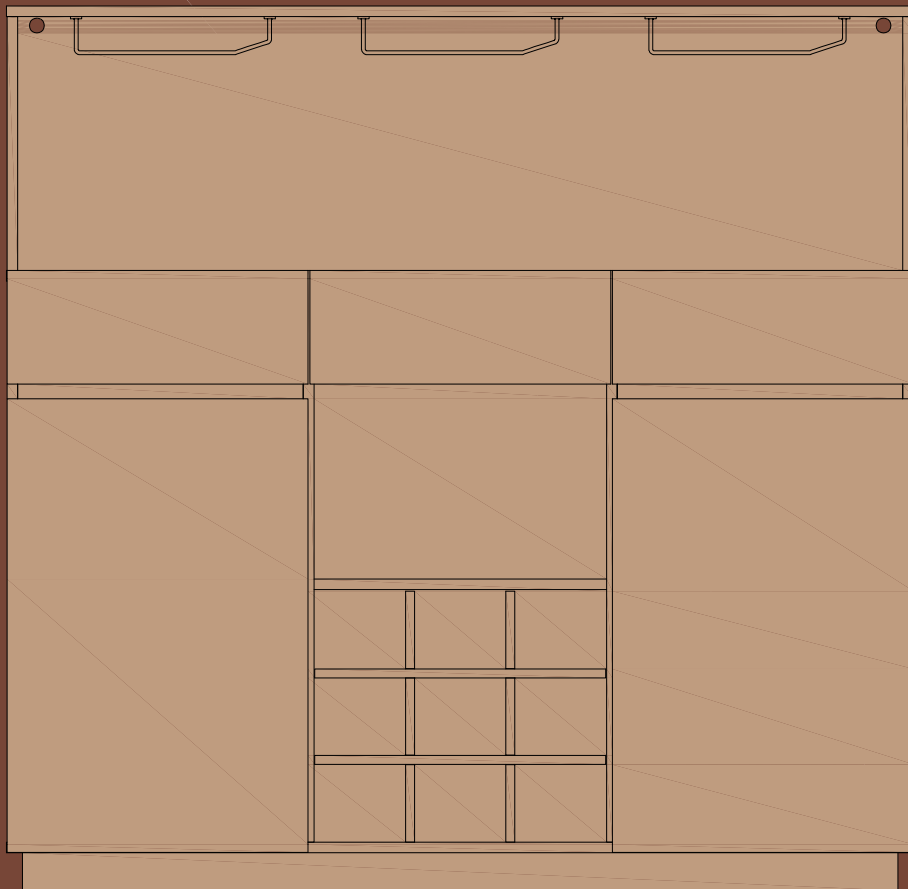




ModernMate

ASSEMBLY INSTRUCTION



Base Wine Cabinet

INTRUCTION

Thank you for purchasing our products. Please read the instructions carefully before installation and keep it in a safe place for future reference. If you need any assistance or support, please feel free to contact our customer support team.

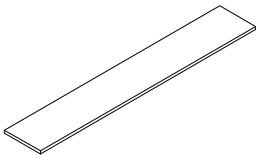


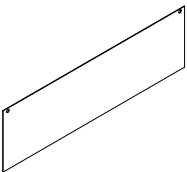
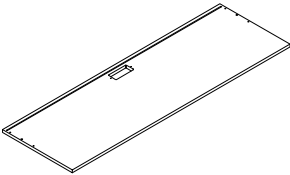
PRECAUTIONS

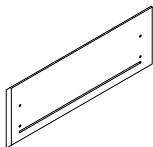
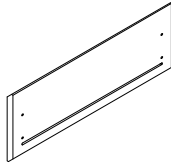
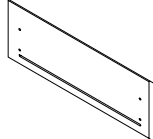
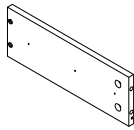
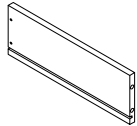
1. There are many components and accessories in the package. Each component and accessory is labeled with a letter or a number, check carefully before using any of them. Keep them away from children to prevent accidents.
2. Please install the product on a clean and soft underlay (such as carpet or cardboard) to avoid scratching or damaging the surface of the product.
3. The main components of the product is relatively heavy. Please pay attention to safety during installation.
4. The product is not stable during installation. Please do not move it randomly before it is completely installed.
5. If you have any questions during installation, please contact the customer service in time.

*** Please be sure to follow the installation steps in the manual to avoid unnecessary losses caused by improper installation.**

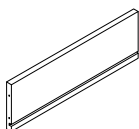
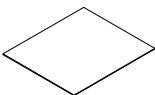
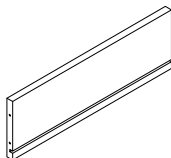
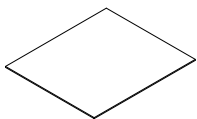
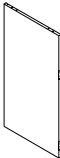
*** If you need further assistance, please contact the customer service online.**




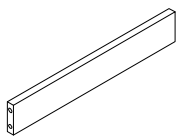
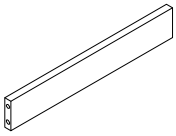
Parts list

ID	Parts	QTY
1	Top panel	1
		
2	Upper left side panel	1
		
3	Upper right side panel	1
		
4	Upper back panel	1
		
5	Face panel	1
		


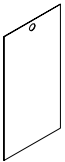
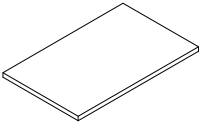
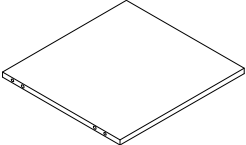
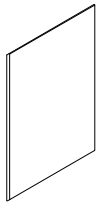
ID	Parts	QTY
6	Left drawer face panel	1
		
7	Middle drawer face panel	1
		
8	Right drawer face panel	1
		
9	Left drawer side panel	3
		
10	Right drawer side panel	3
		

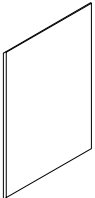

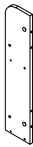
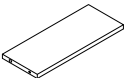
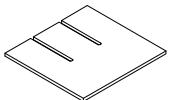
Parts list

ID	Parts	QTY
11	Drawer back panel	2
		
12	Drawer bottom panel	2
		
13	Back panel of middle drawer	1
		
14	Bottom panel of middle drawer	1
		
15	Lower left side panel	1
		

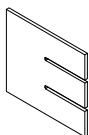
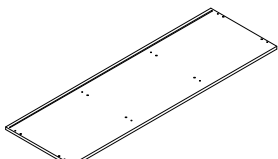
ID	Parts	QTY
16	Lower middle left side panel	1
		
17	Lower middle right side panel	1
		
18	Lower right side panel	1
		
19	Front crossbar	2
		
20	Back crossbar	2
		

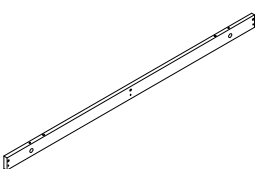
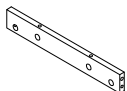
Parts list

ID	Parts	QTY
21	Lower back panel	2
		
22	Lower middle panel	1
		
23	Adjustable shelf panel	2
		
24	Middle fixed shelf panel	1
		
25	Left door	1
		

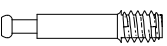
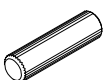
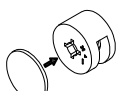
ID	Parts	QTY
26	Right door	1
		
27	Left vertical door panel	2
		
28	Right vertical door panel	2
		
29	Cabinet door partition panel	4
		
30	Wine rack horizontal partition	2
		

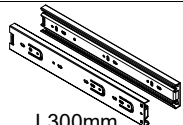

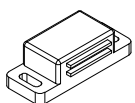
Parts list

ID	Parts	QTY
31	Vertical partition of the wine rack	2
		
32	Bottom panel	1
		


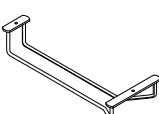
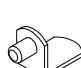
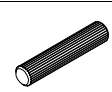
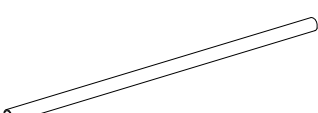
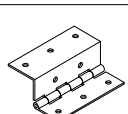


ID	Parts	QTY
33	Long bottom rail	2
		
34	Short bottom rail	3
		

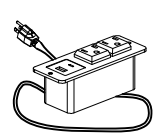


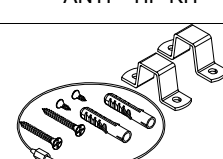

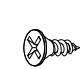
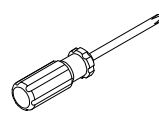
Hardware list

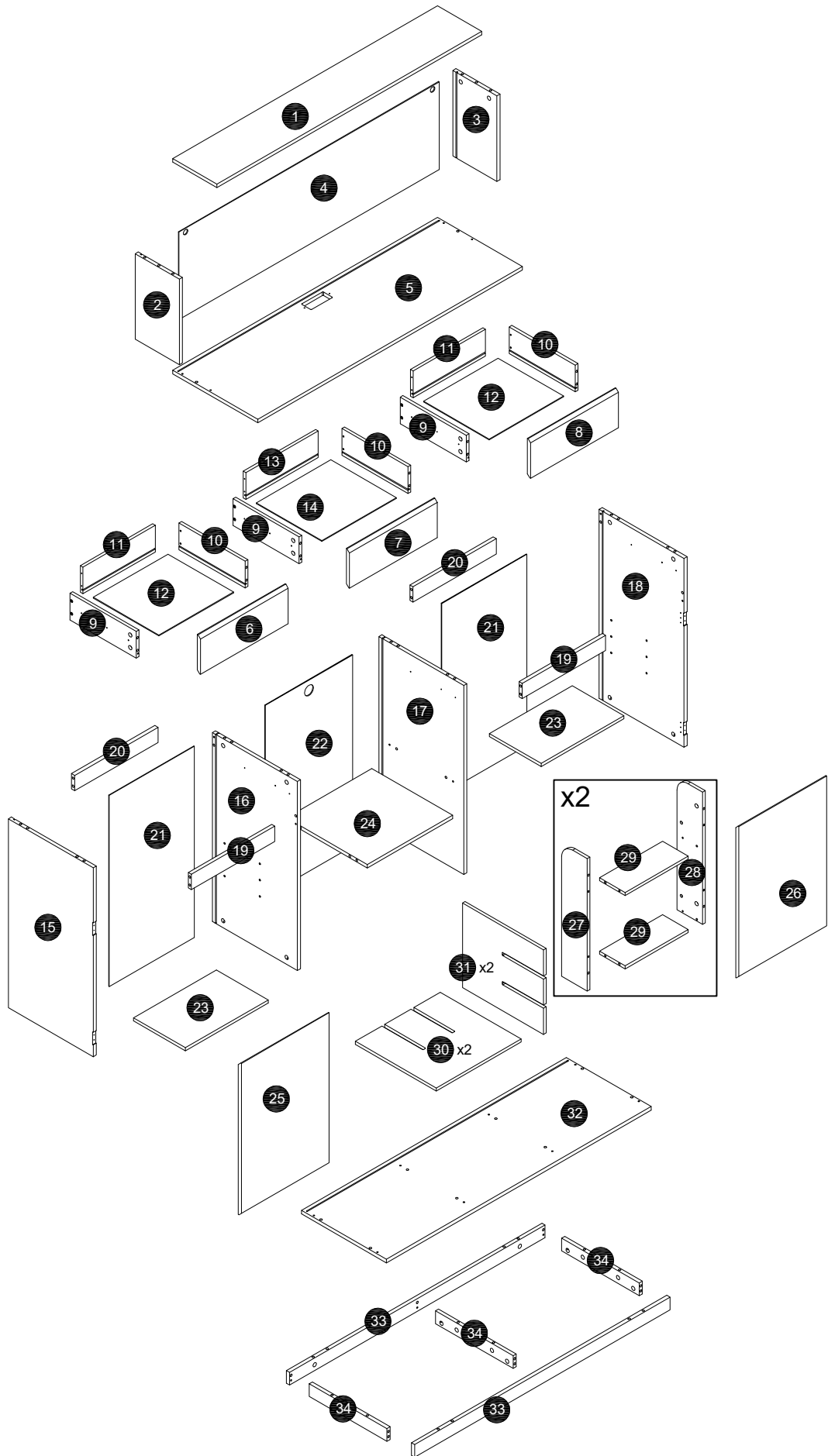
ID	Parts	QTY
A	CAM BOLT	76 +3
		
B	WOOD DOWEL	42 +2
	 Ø8*30mm	
C	CAM LOCK	76 +3
	 Ø15*9.5mm	

ID	Parts	QTY
D	DRAWER SLIDE	3 SET
	 L300mm	
E	SCREW	50 +2
	 Ø3.5*12mm	
F	MAGNETIC CATCH	2
		

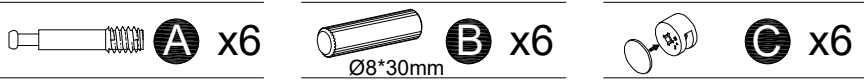
Hardware list

ID	Parts	QTY
G	SCREW	4
	 Ø3.5*14mm	
H	UNDER-CABINET STEMWARE RACK	3
		
I	SHELF SUPPORT PIN	8
		
J	WOOD DOWEL	16
	 Ø6*30mm	
K	ROUND BAR	4
		
L	BUTT HINGE	4
		
M	METAL PLATE	2
		
N	SCREW	16
	 Ø4*30mm	

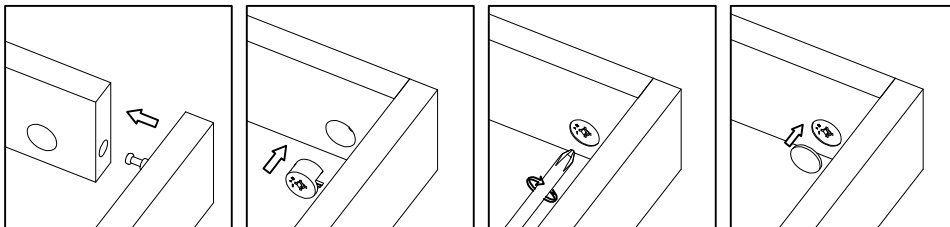
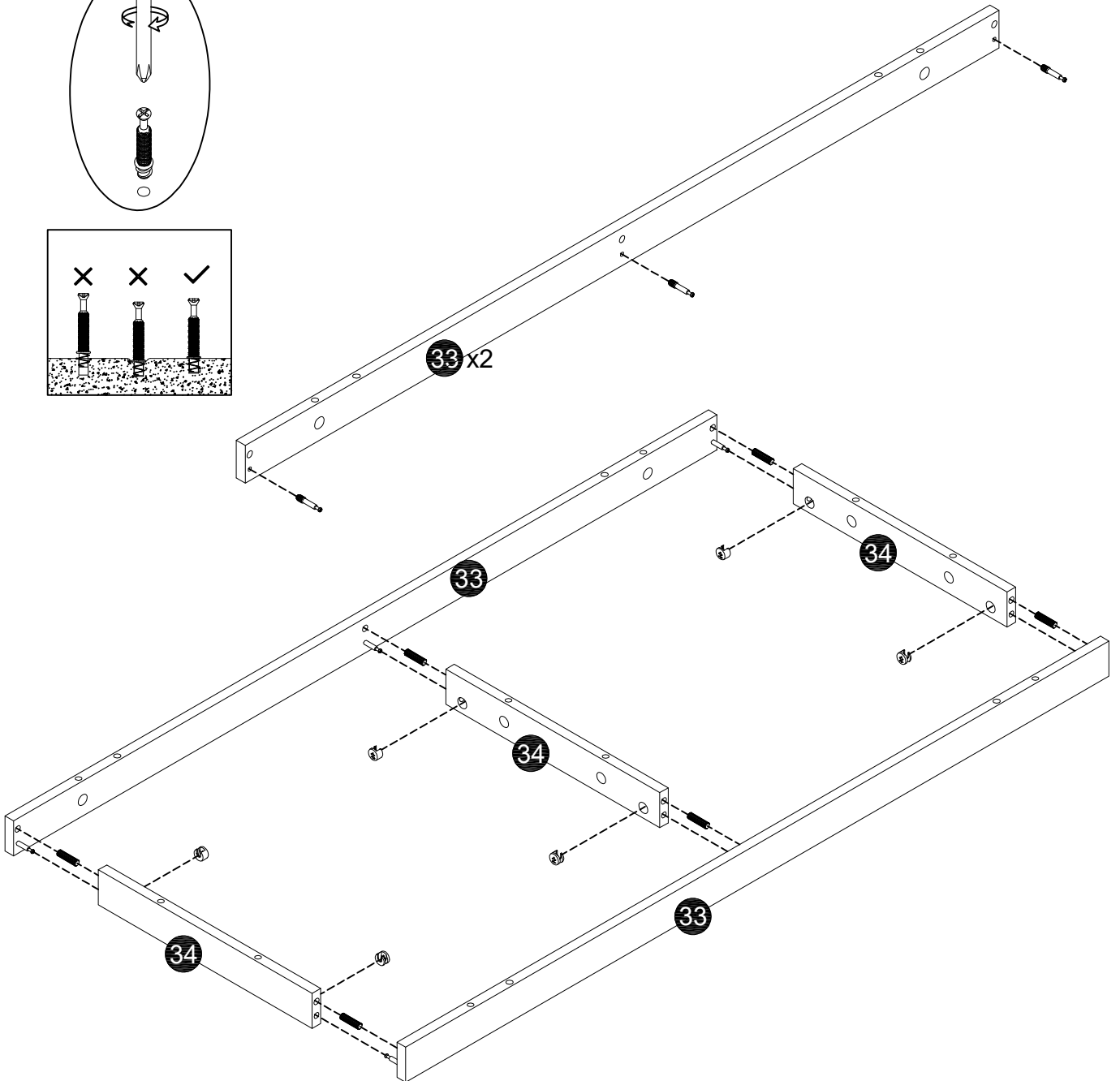
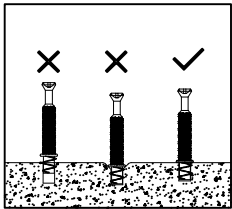
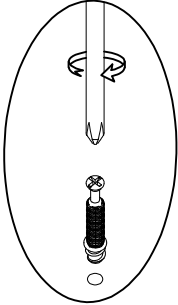
ID	Parts	QTY
O	SOCKET	1
		
P	LED AND REMOTE	1 SET
		
Q	CABLE CLAMP	3
		
R	ANTI - TIP KIT	2 SET
		
S	PLASTIC CORNER BRACE	20
		
T	SCREW	54 +3
	 Ø3*12mm	
V	SCREW	1
		



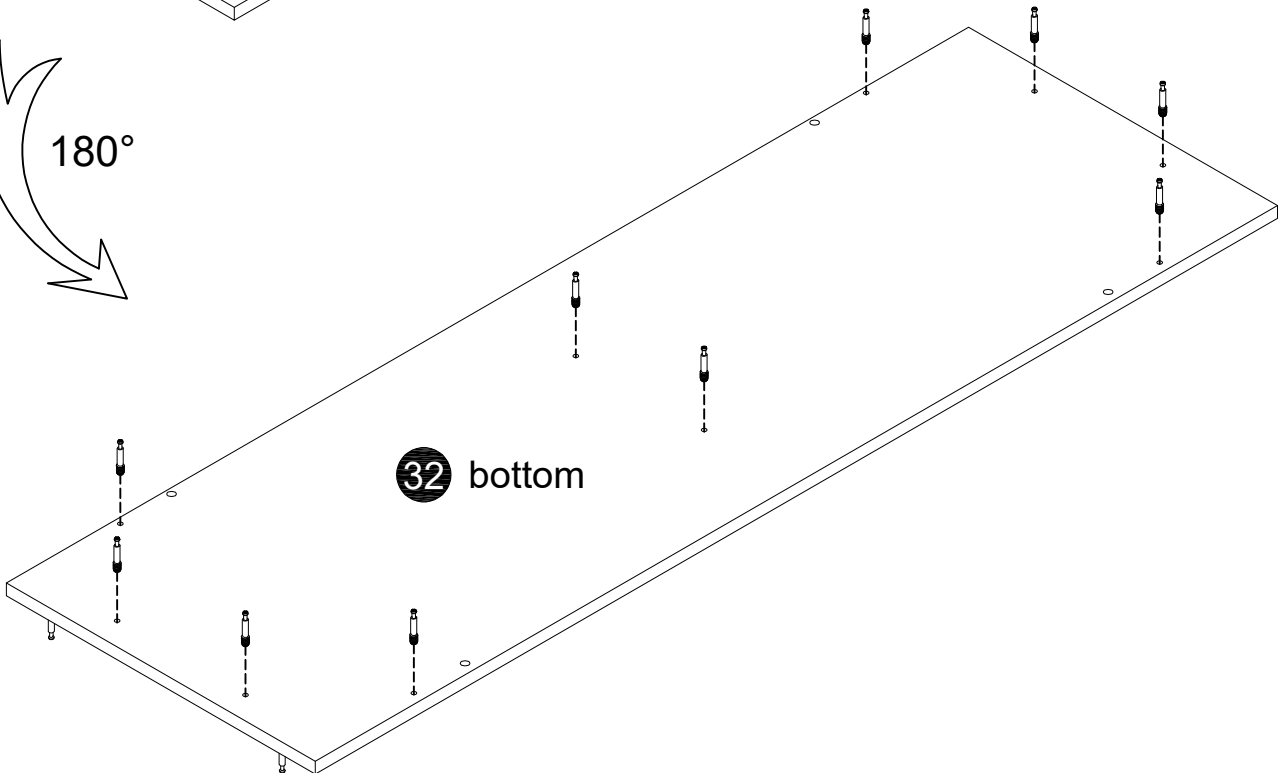
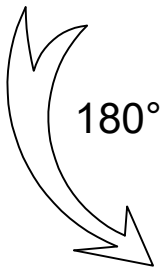
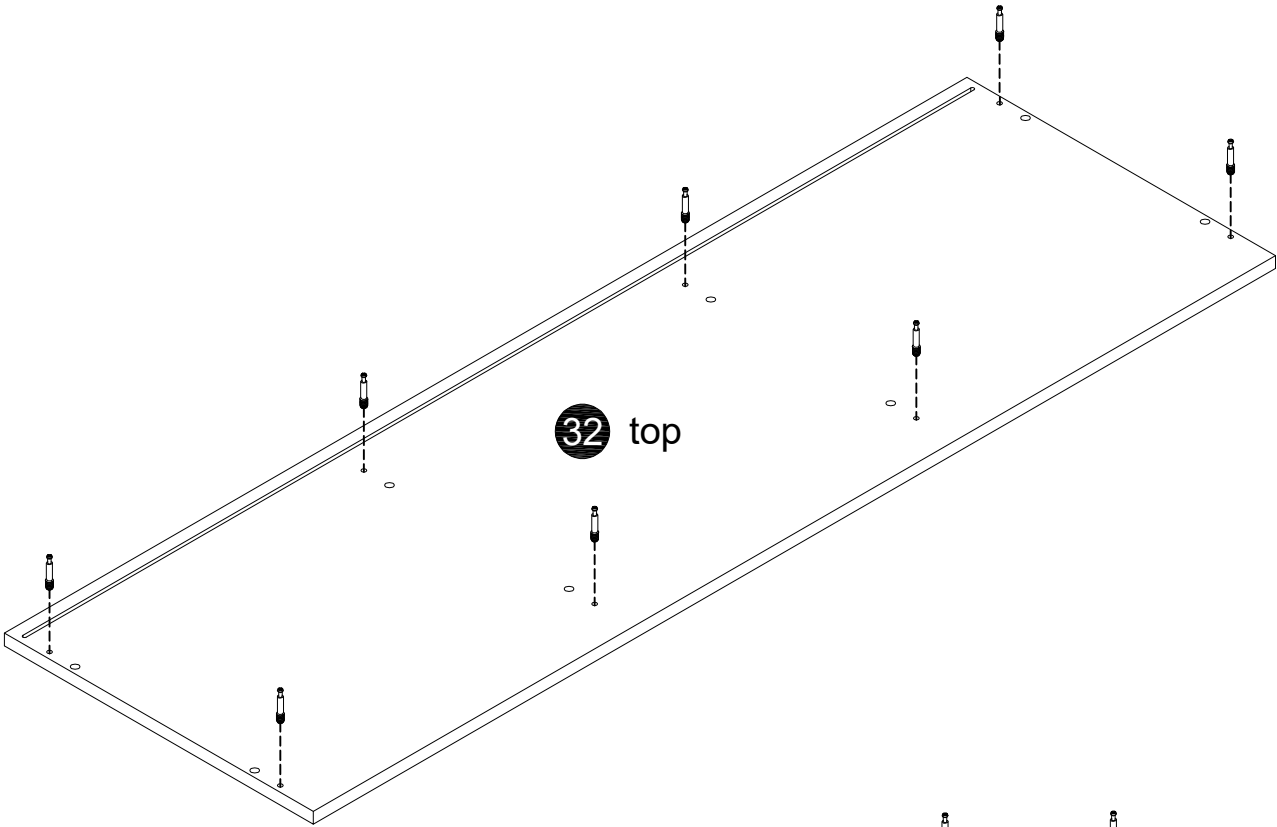
STEP 1



Turn the screw clockwise as viewed



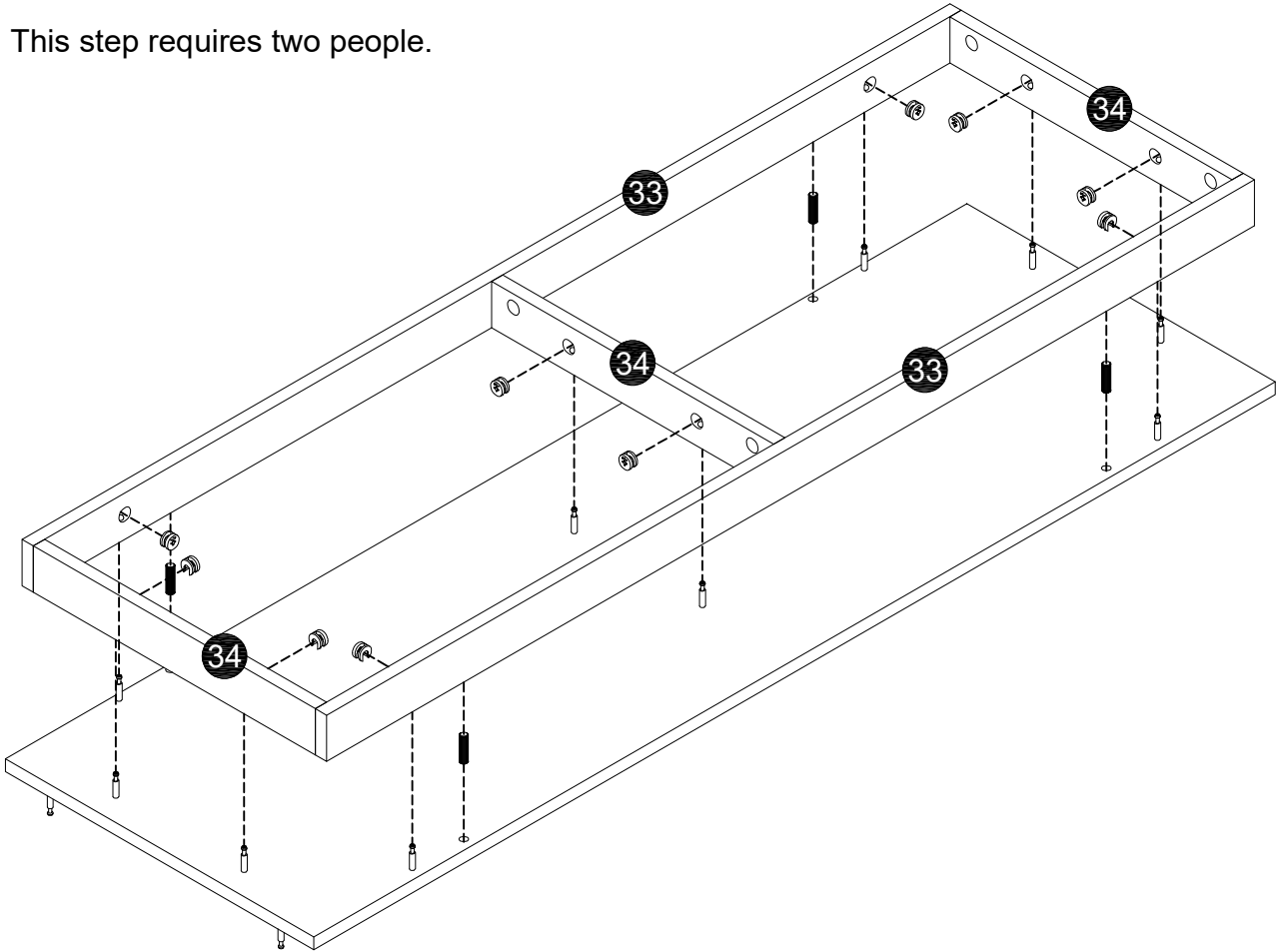
STEP 2



STEP 3



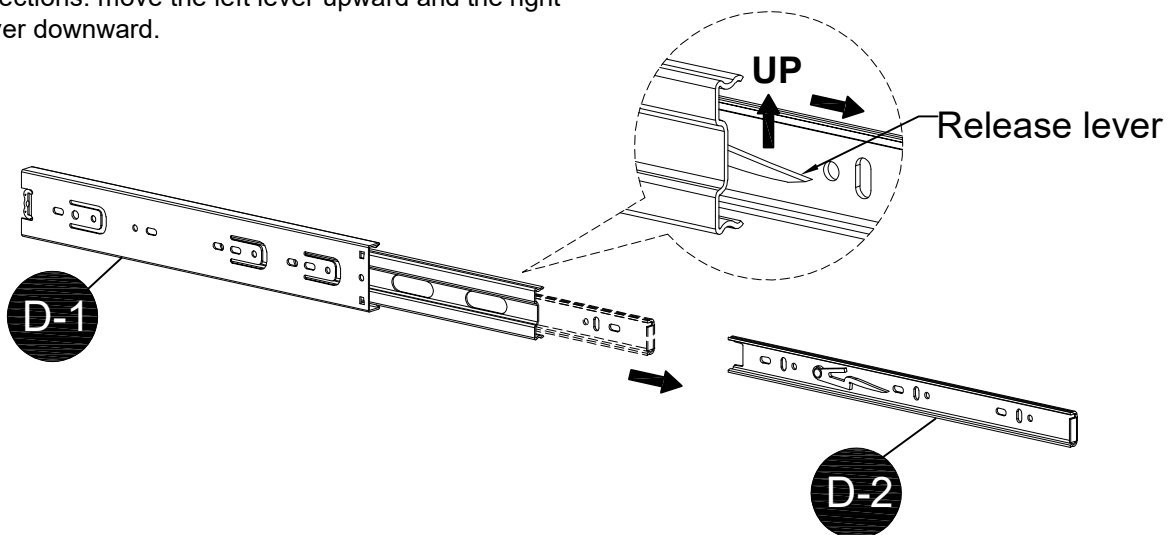
This step requires two people.



STEP 4



The left and right release levers operate in opposite directions: move the left lever upward and the right lever downward.

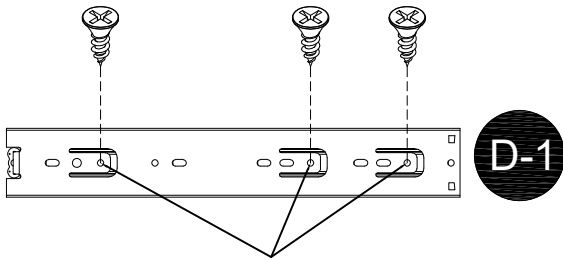


STEP 5

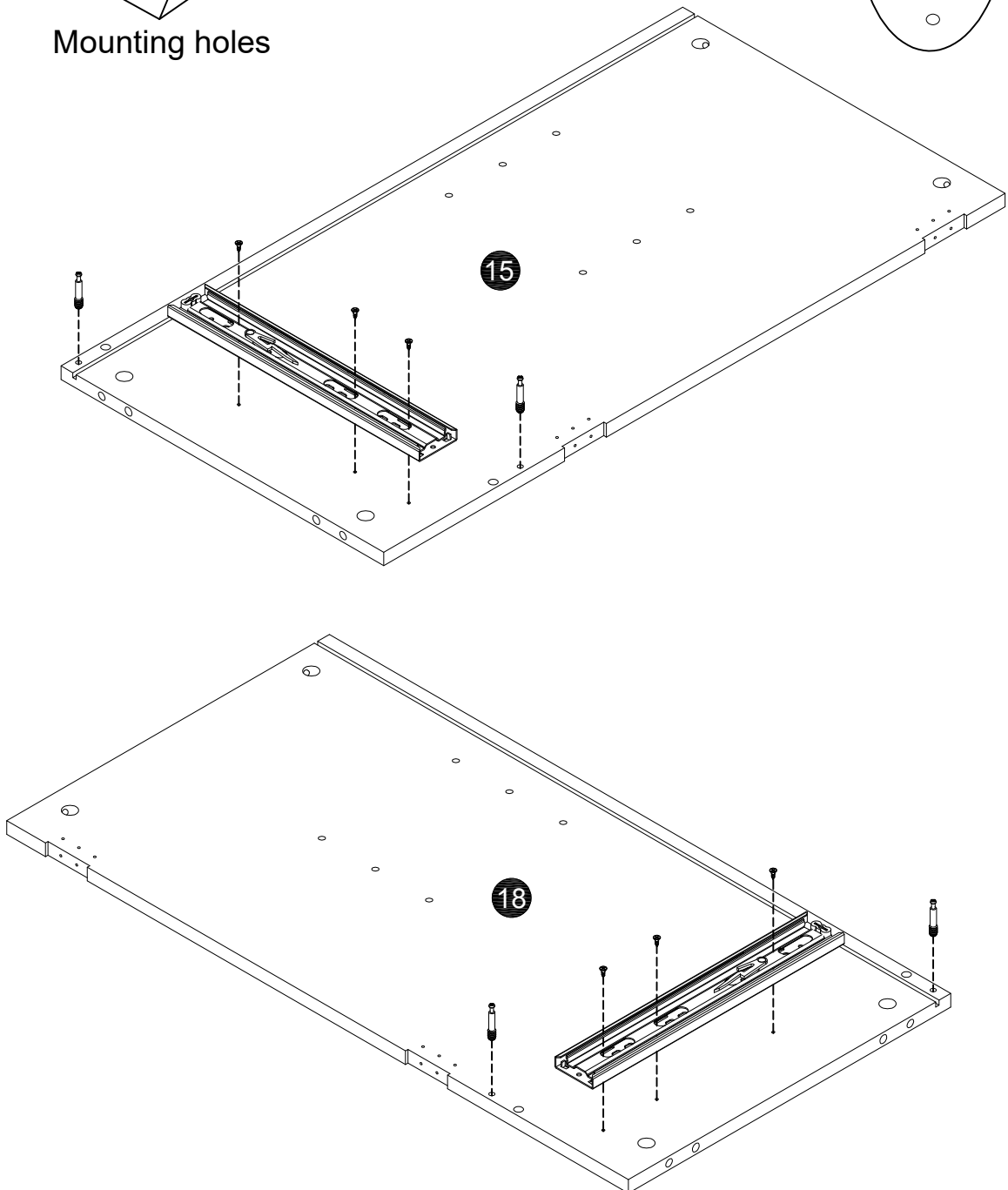
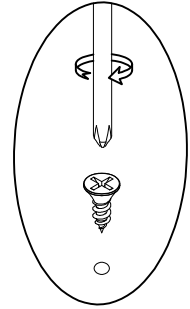
A x4

D-1 x2

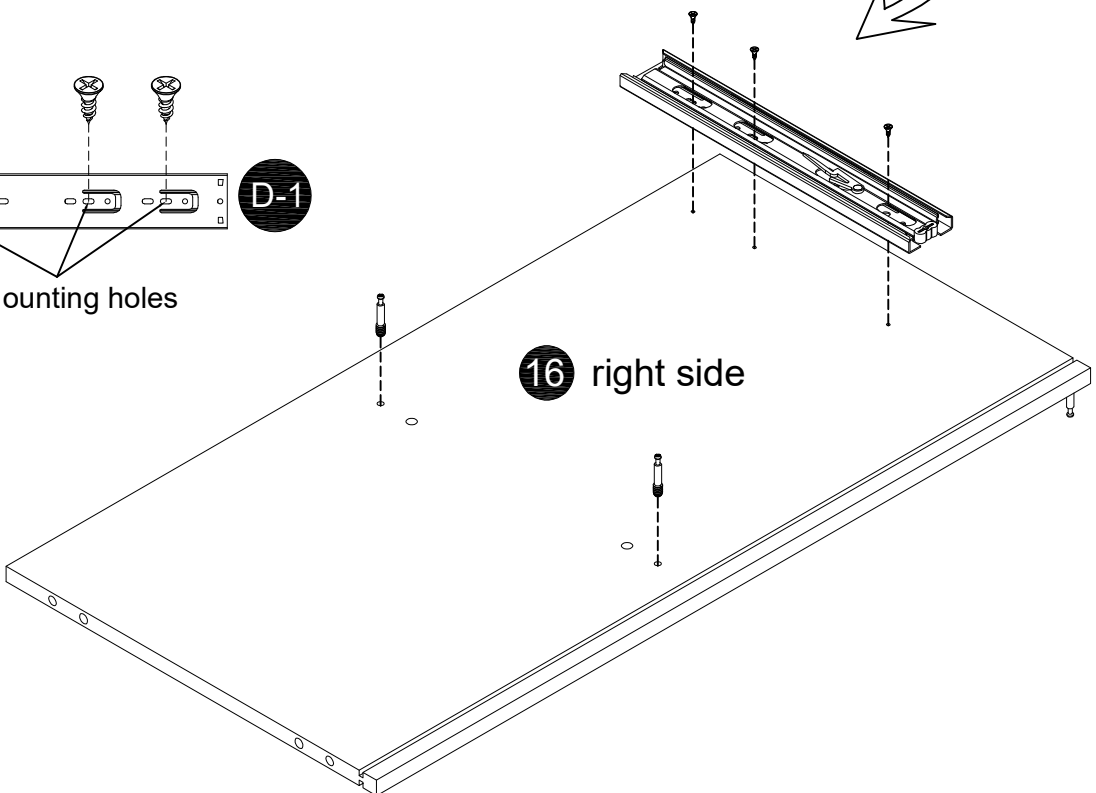
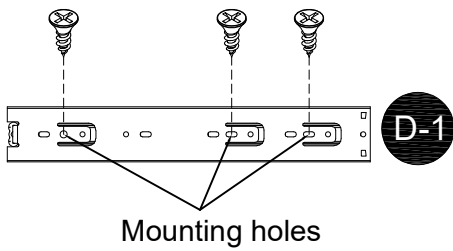
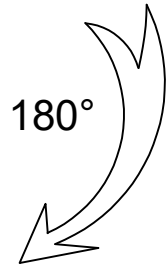
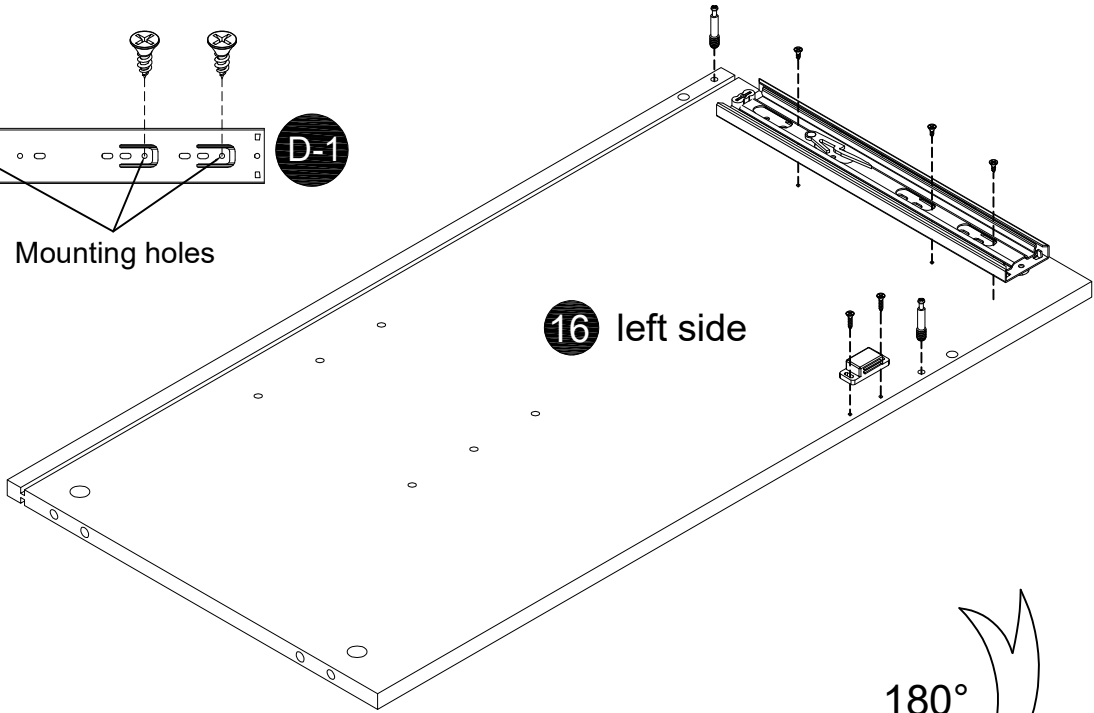
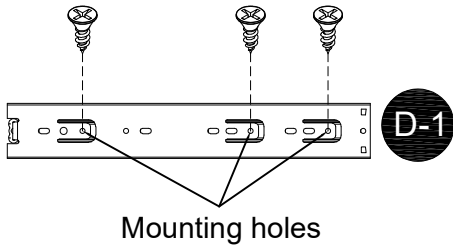
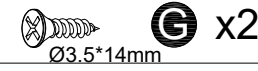
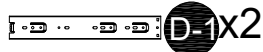
E x6
Ø3.5*12mm



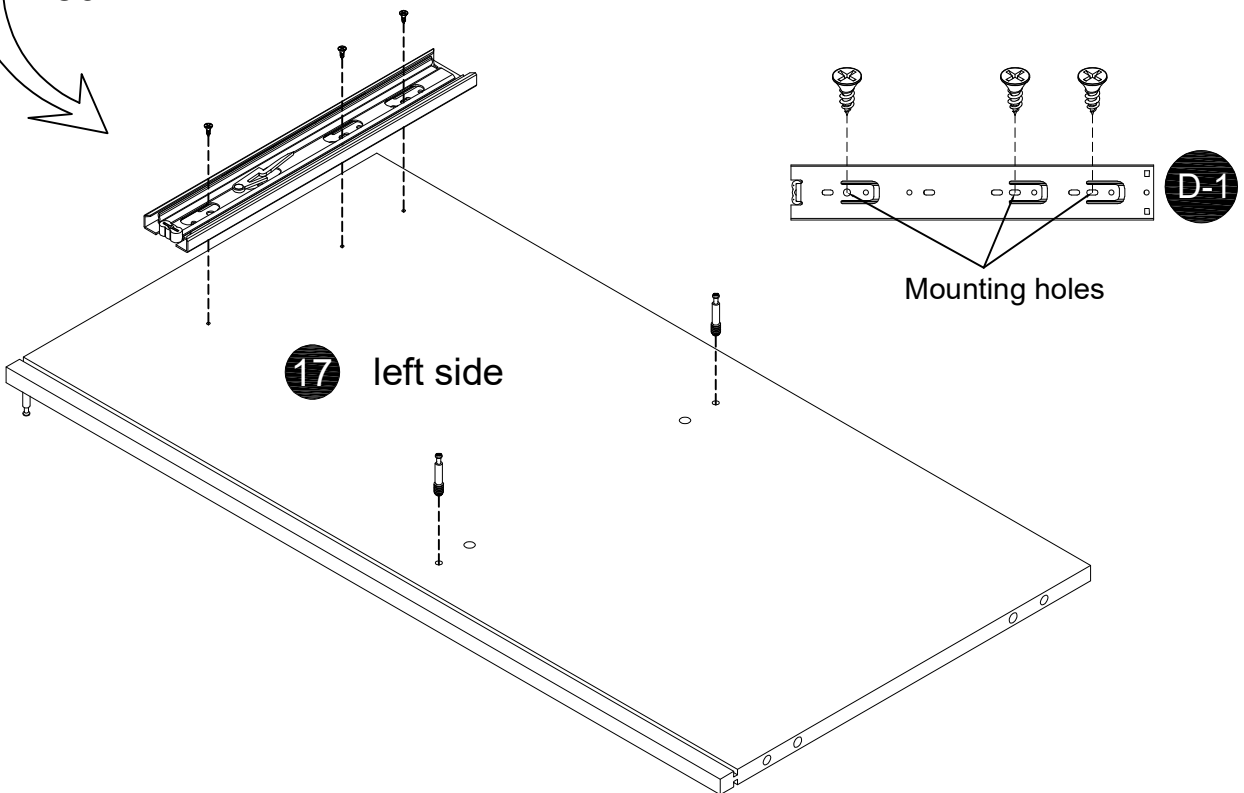
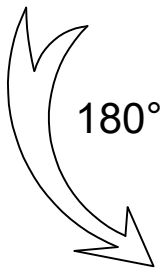
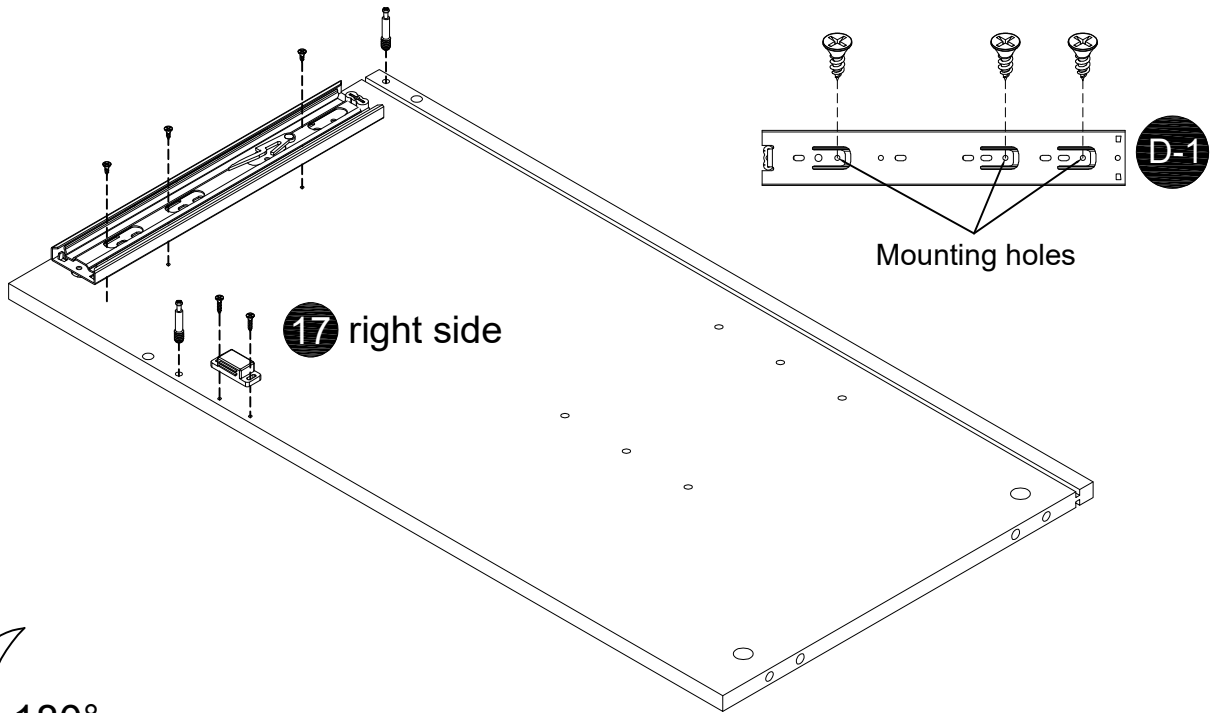
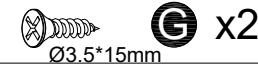
Mounting holes

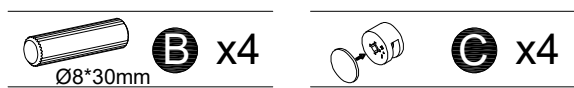


STEP 6

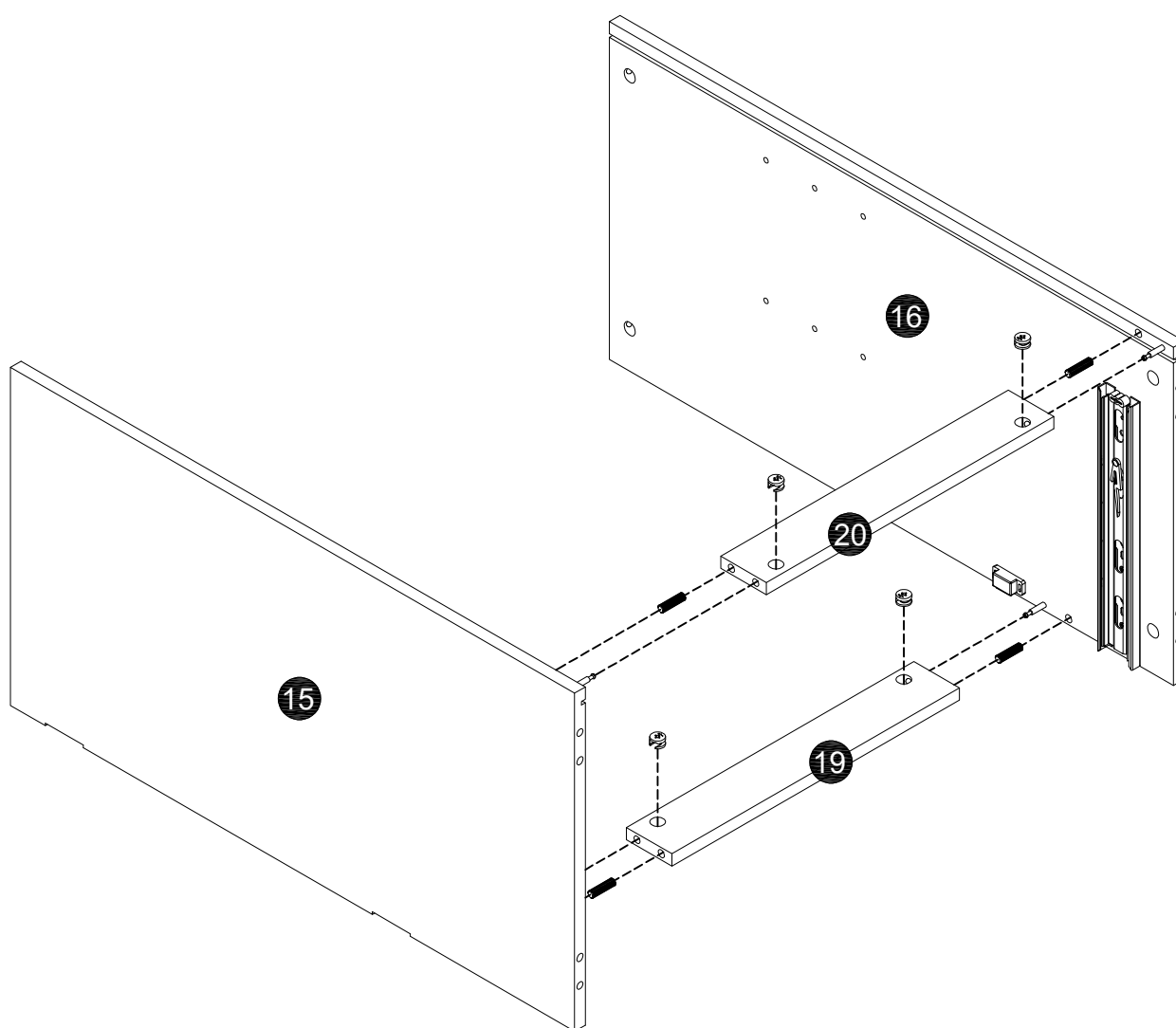


STEP 7



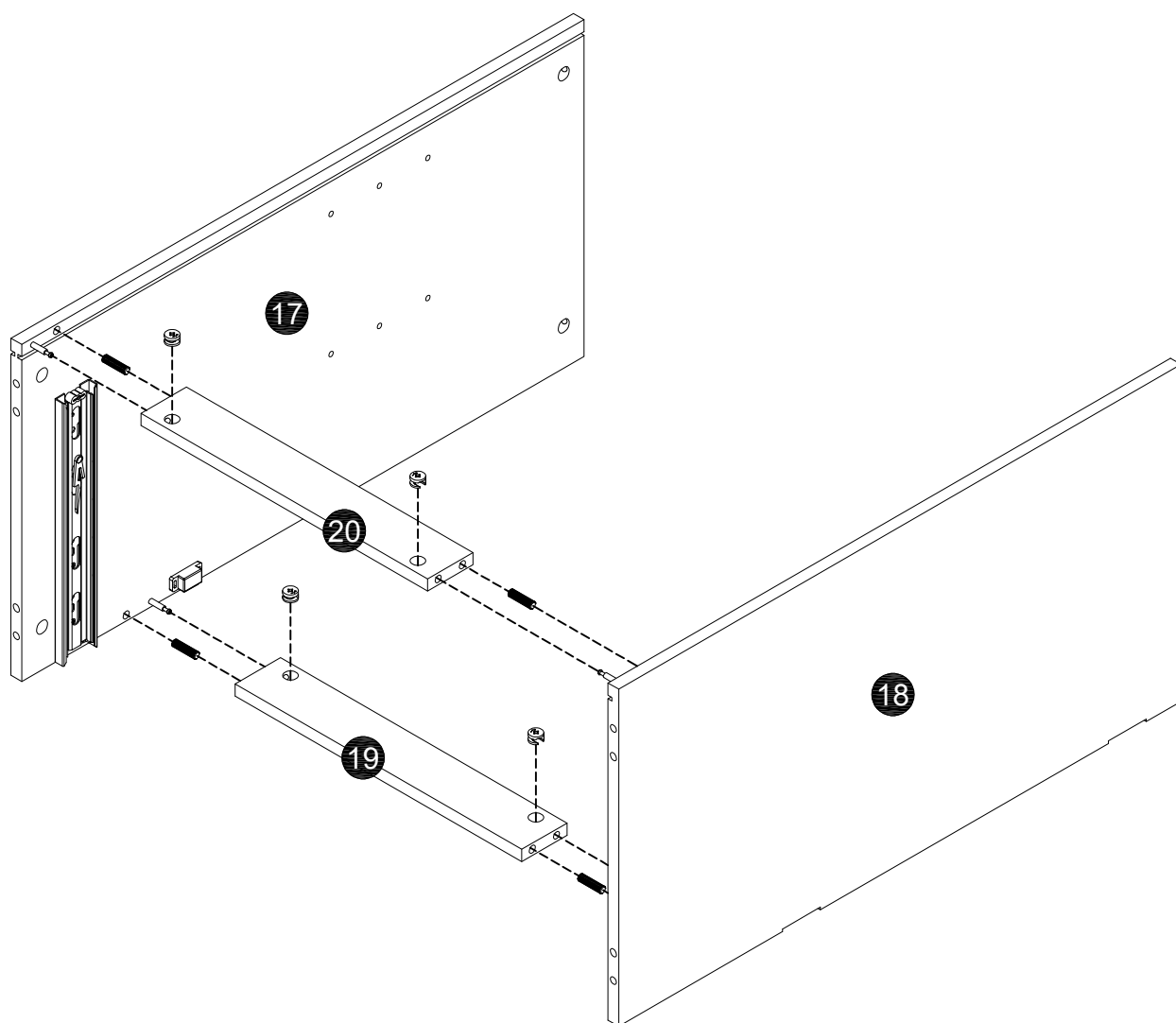
STEP 8

This step requires two people.

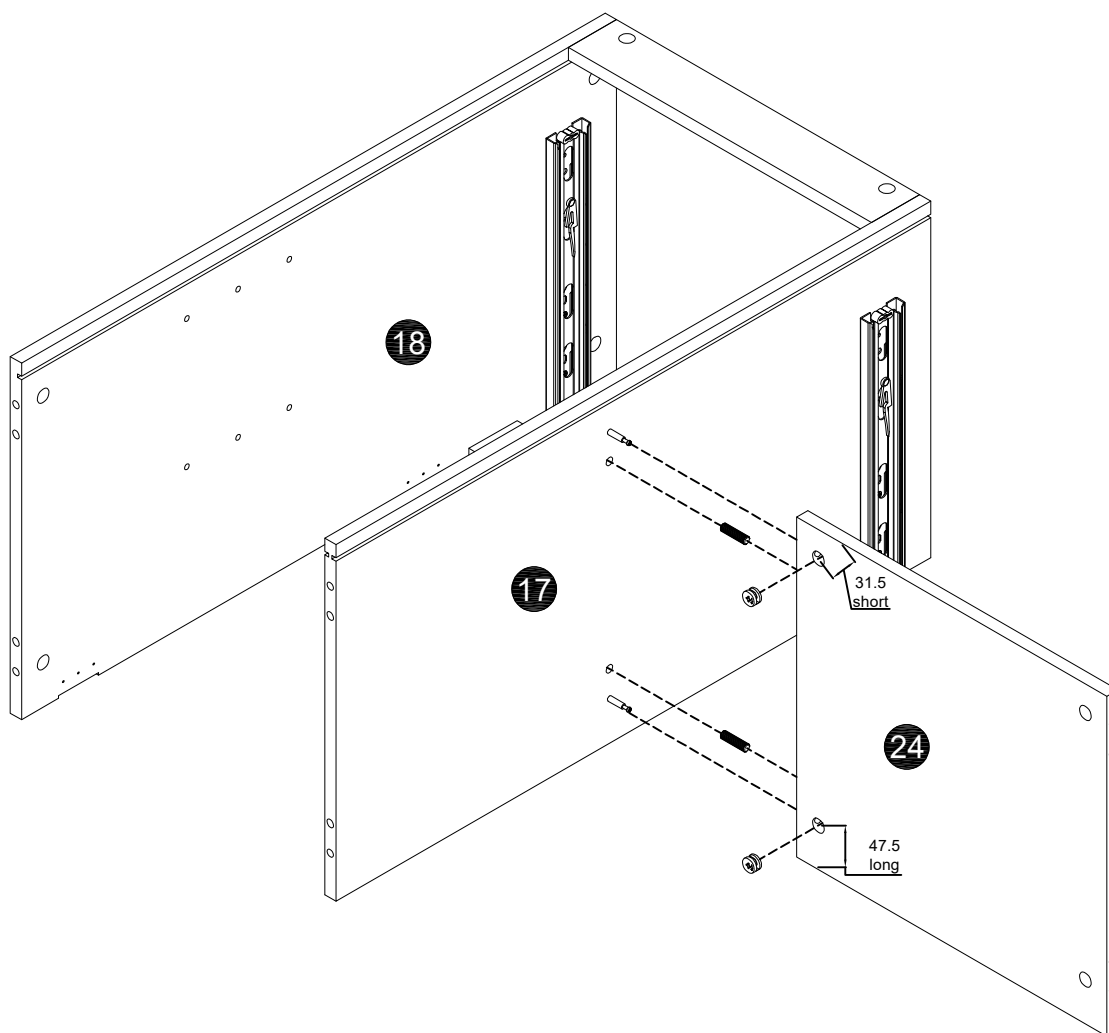
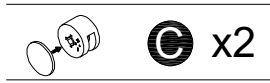


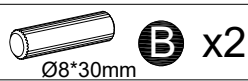
STEP 9

This step requires two people.

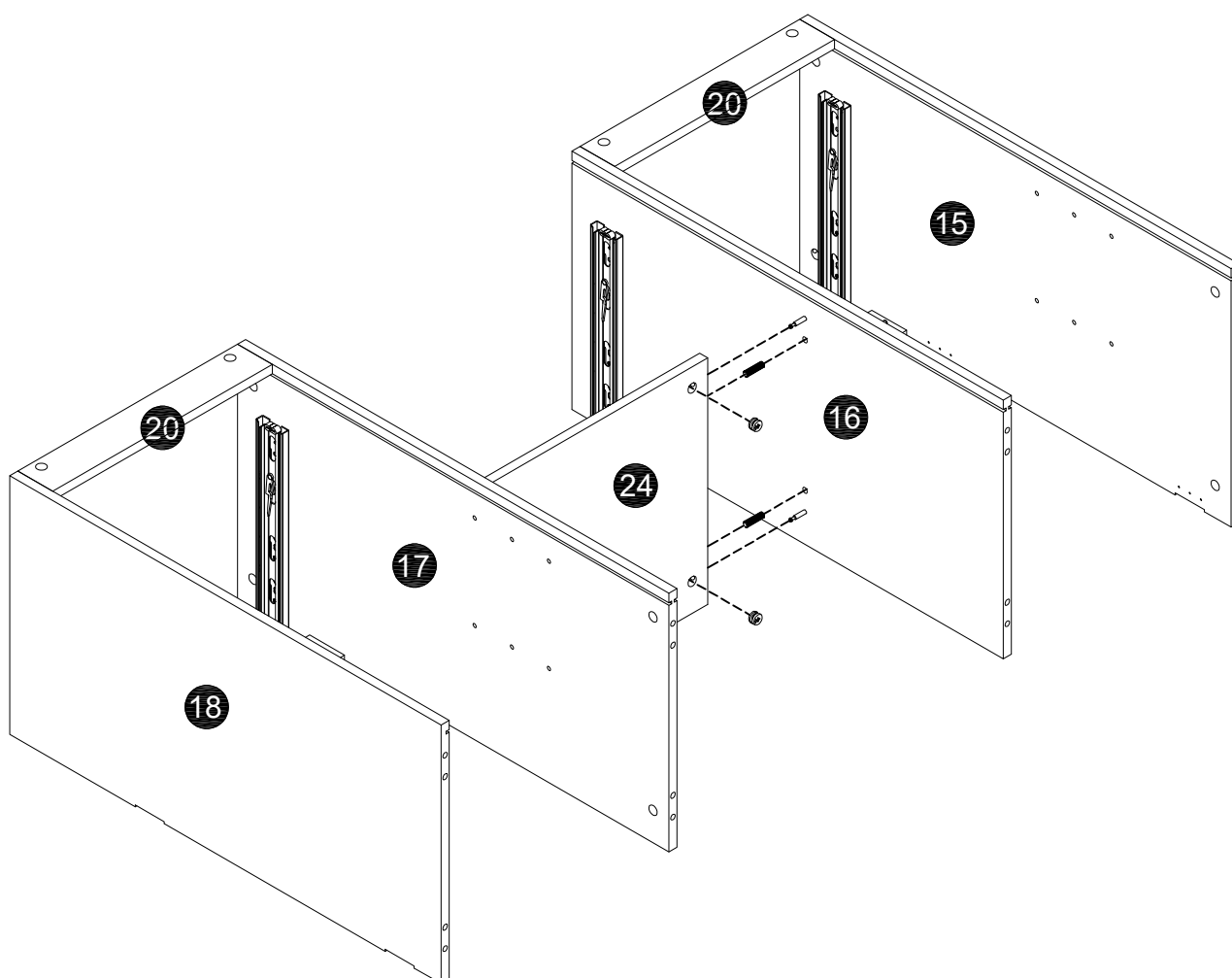


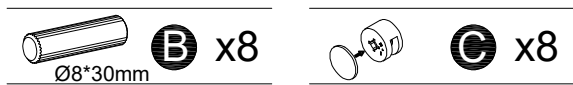
STEP 10



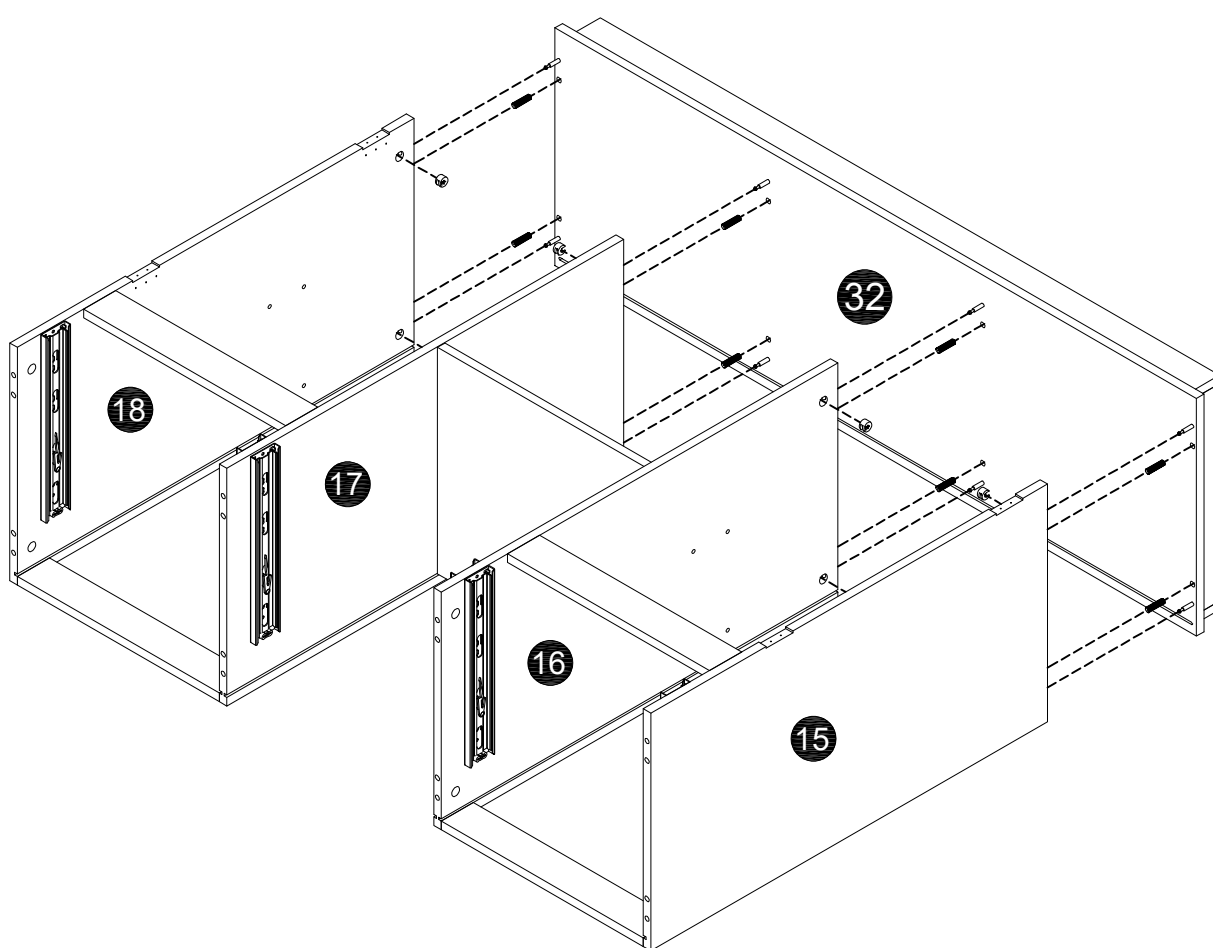
STEP 11

This step requires two people.

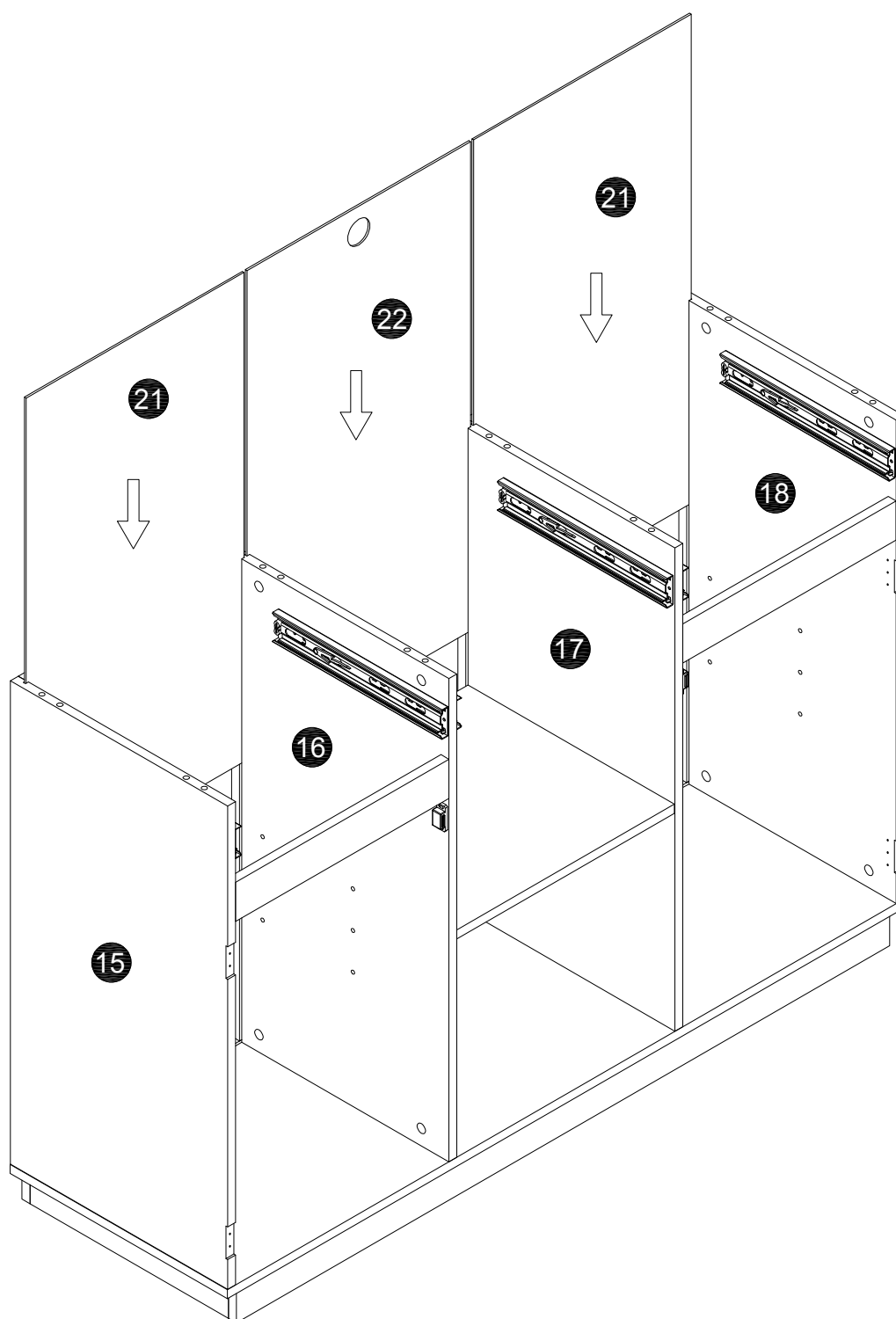


STEP 12

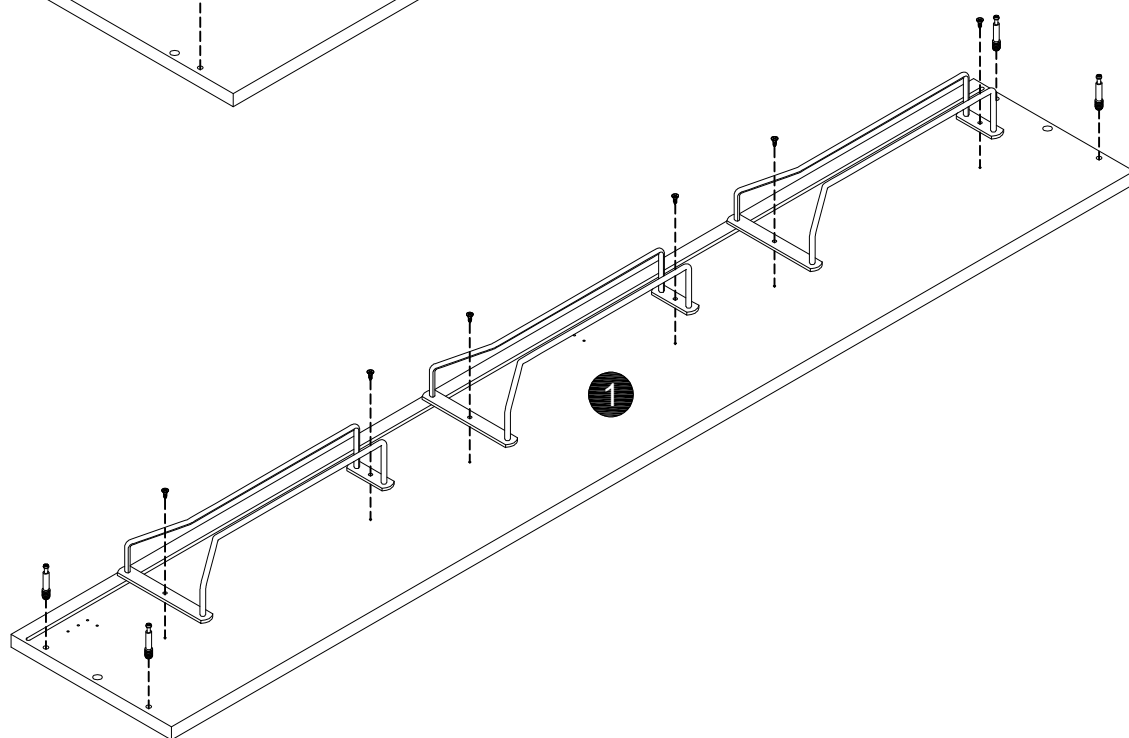
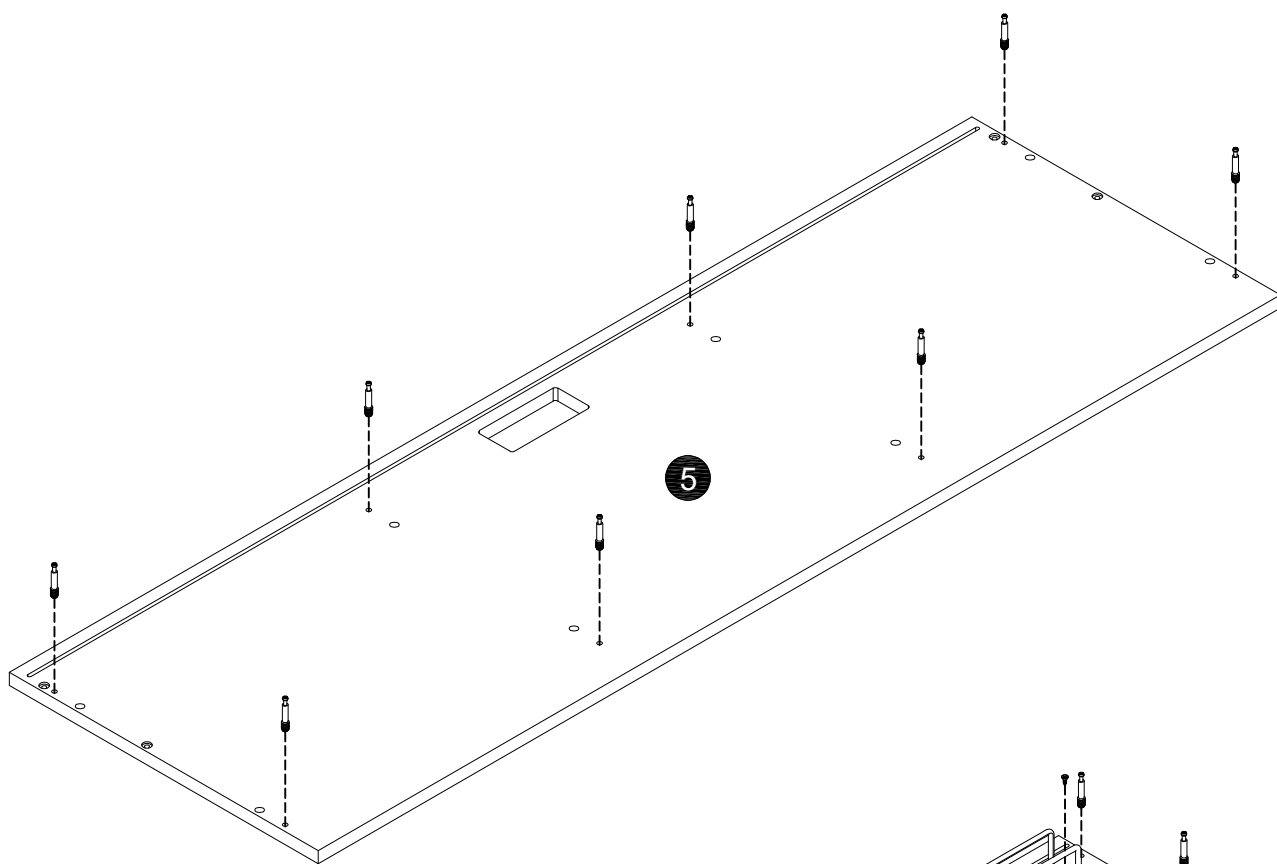
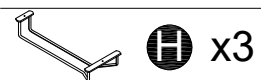
This step requires two people.

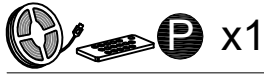


STEP 13



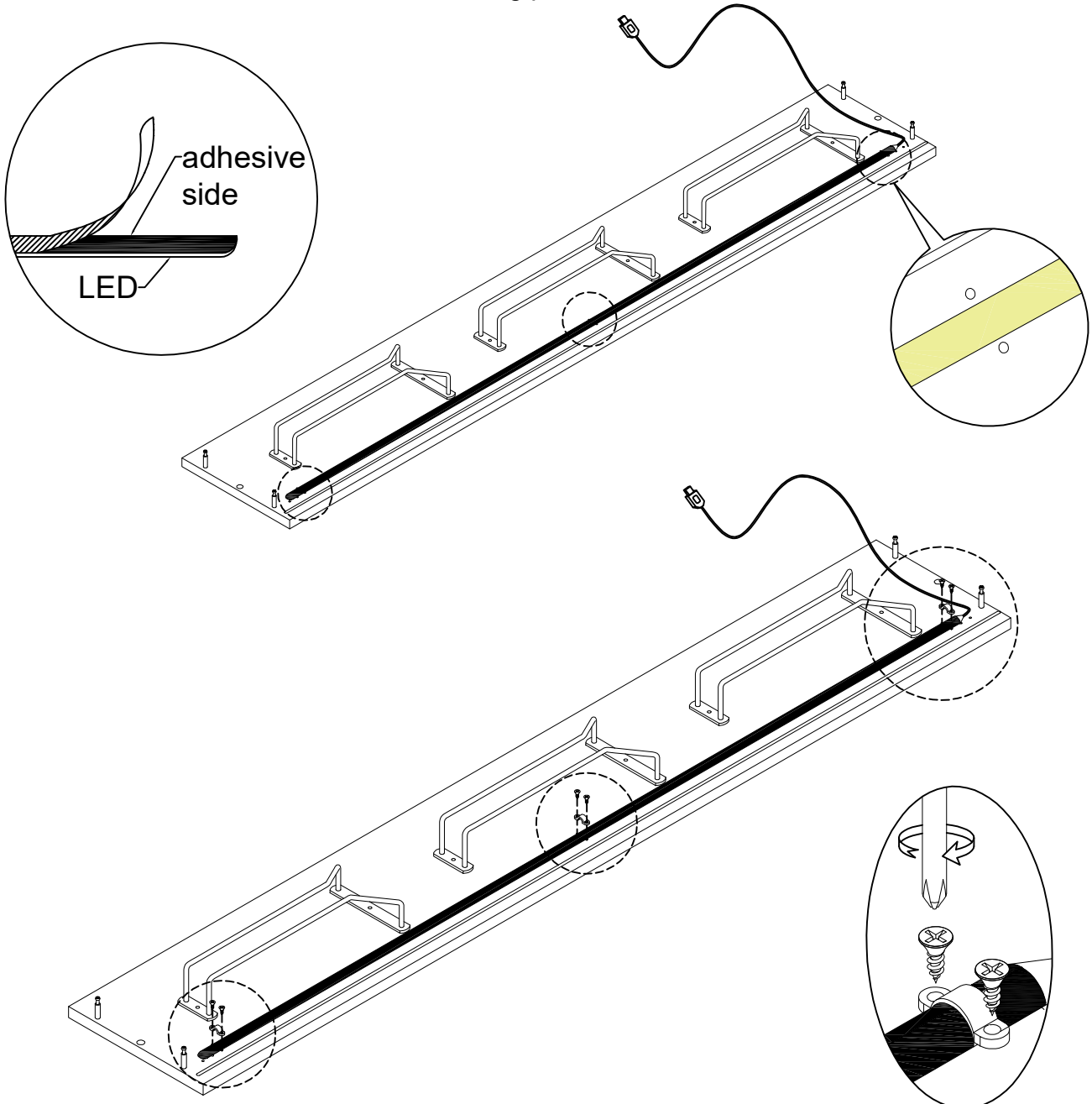
STEP 14



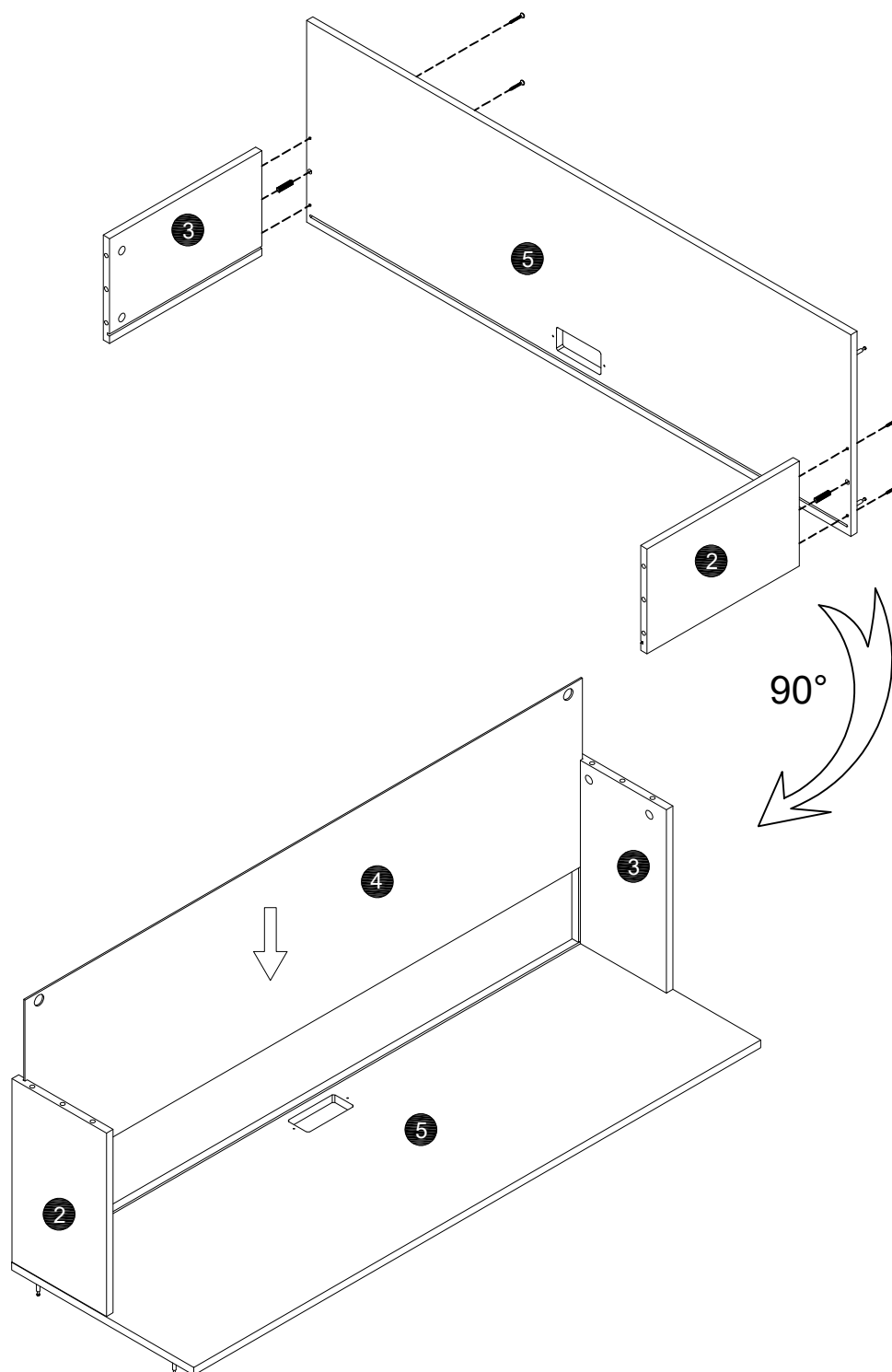
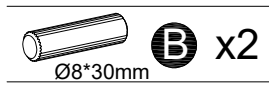
STEP 15

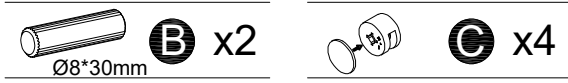
***Note:** The light cable can be attached from left to right or in the opposite direction, depending on your needs.

Peel off the adhesive backing and attach the LED light strip onto the top panel (1), making sure the strip is positioned between the two drilled holes for the fixing pins.

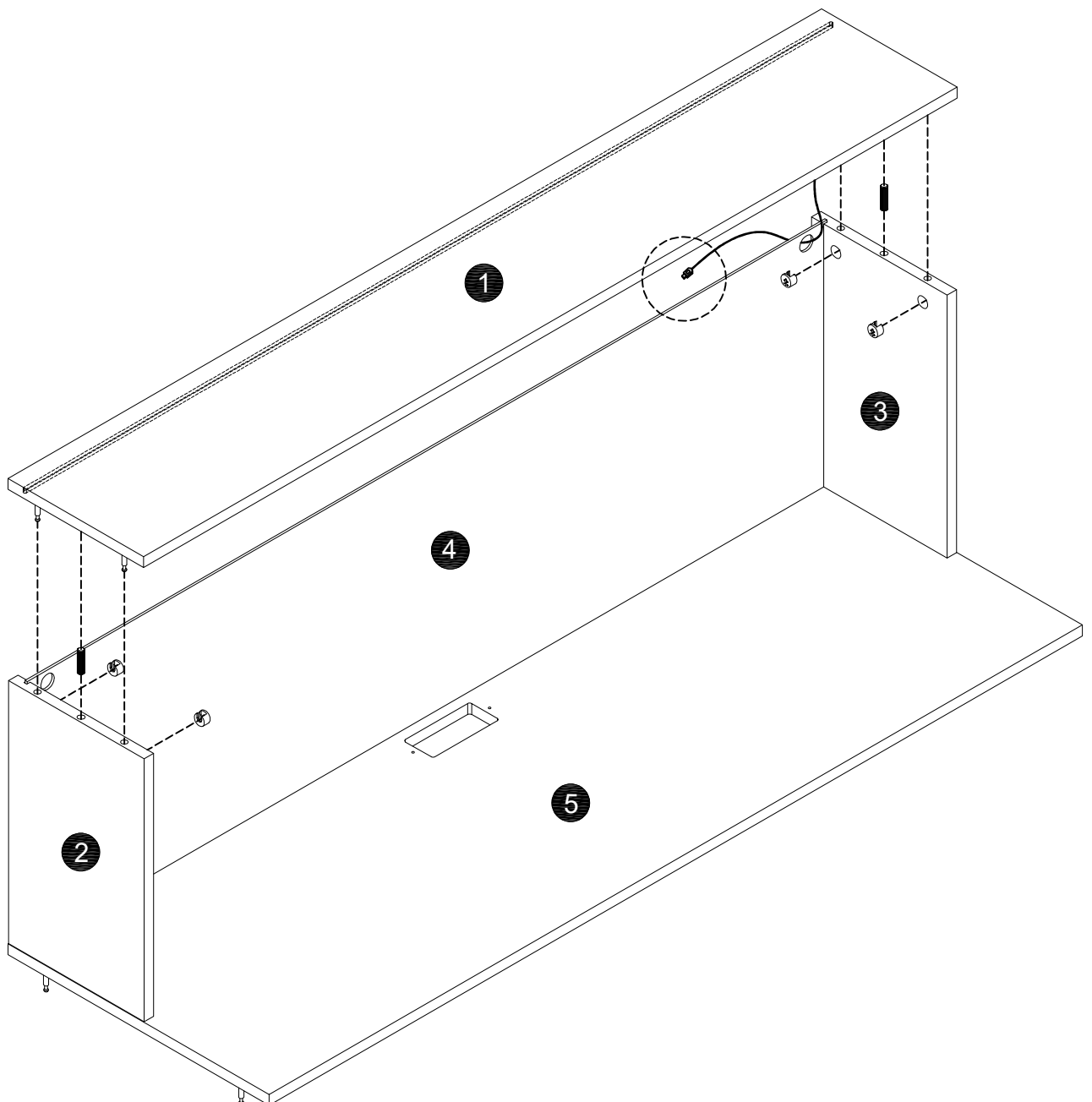


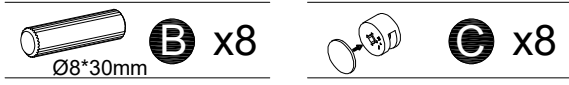
STEP 16



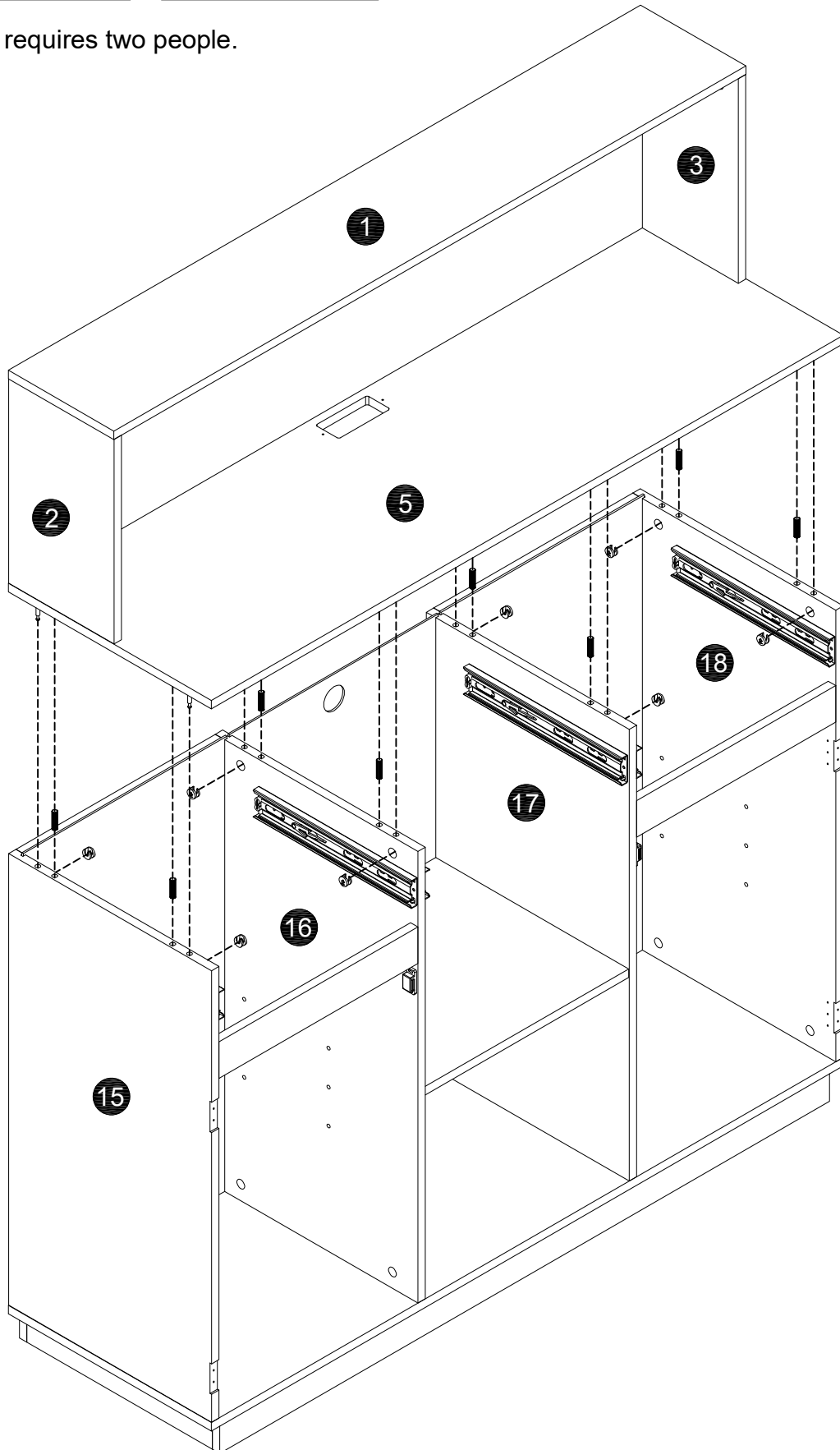
STEP 17

Insert the power plug end of the light cable through the drilled hole on the back panel (4), either on the left or right side, depending on the installation direction of the light strip.



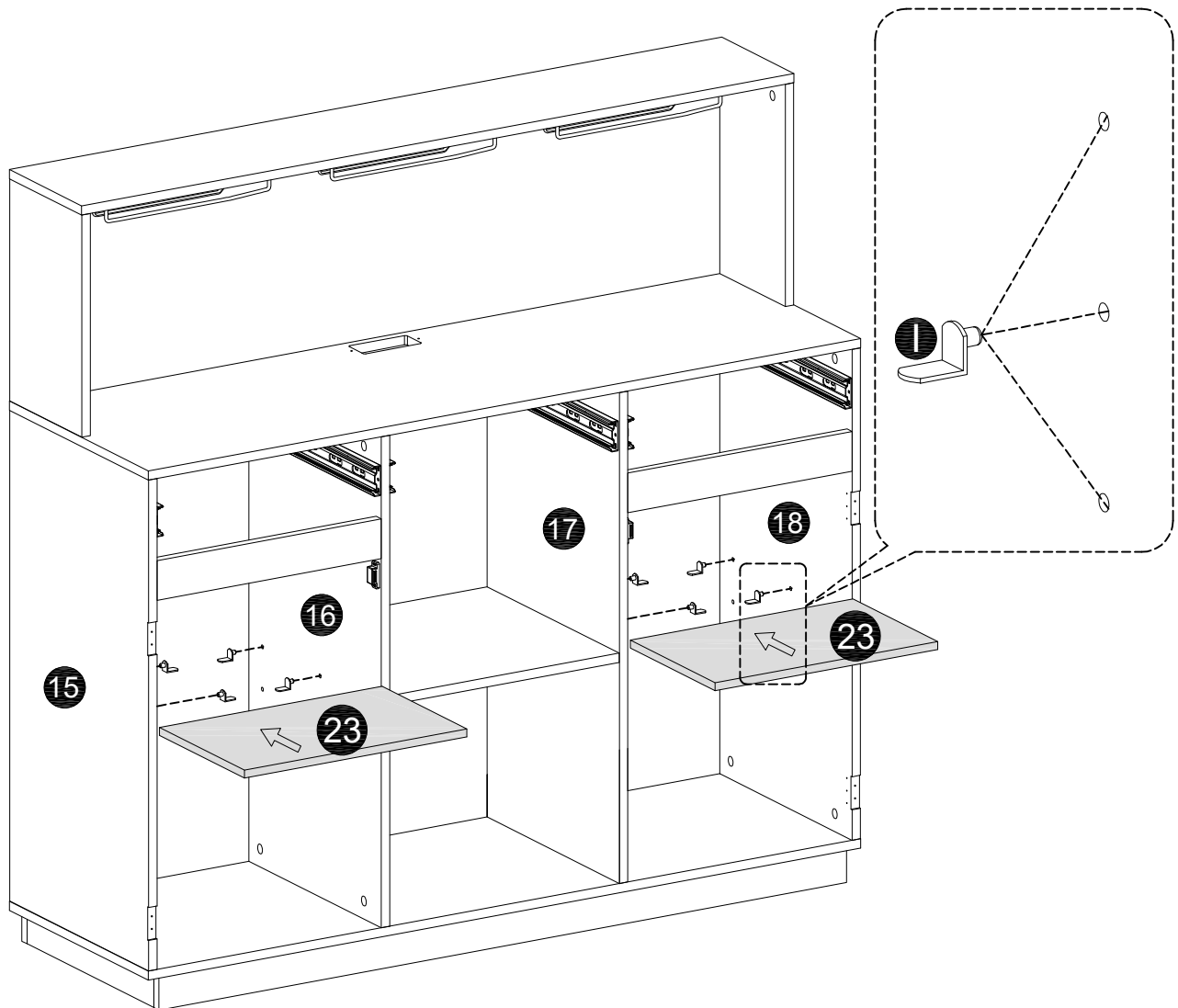
STEP 18

This step requires two people.

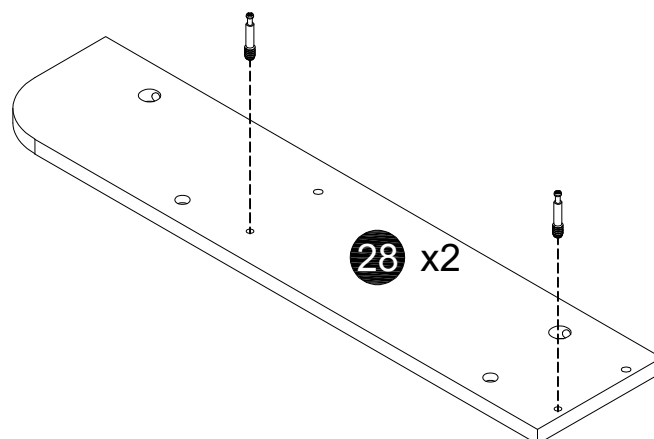
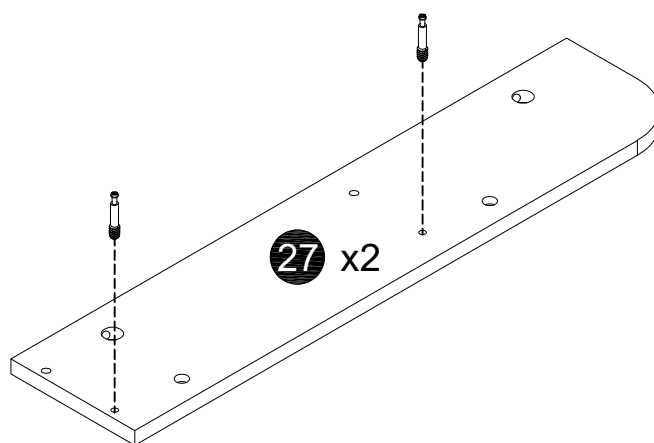


STEP 19

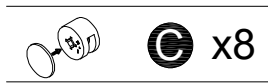
Insert the adjustable shelf support pins (I) into the pre-drilled holes on the side panels at the desired height, then place the adjustable shelf (23) onto the support pins.



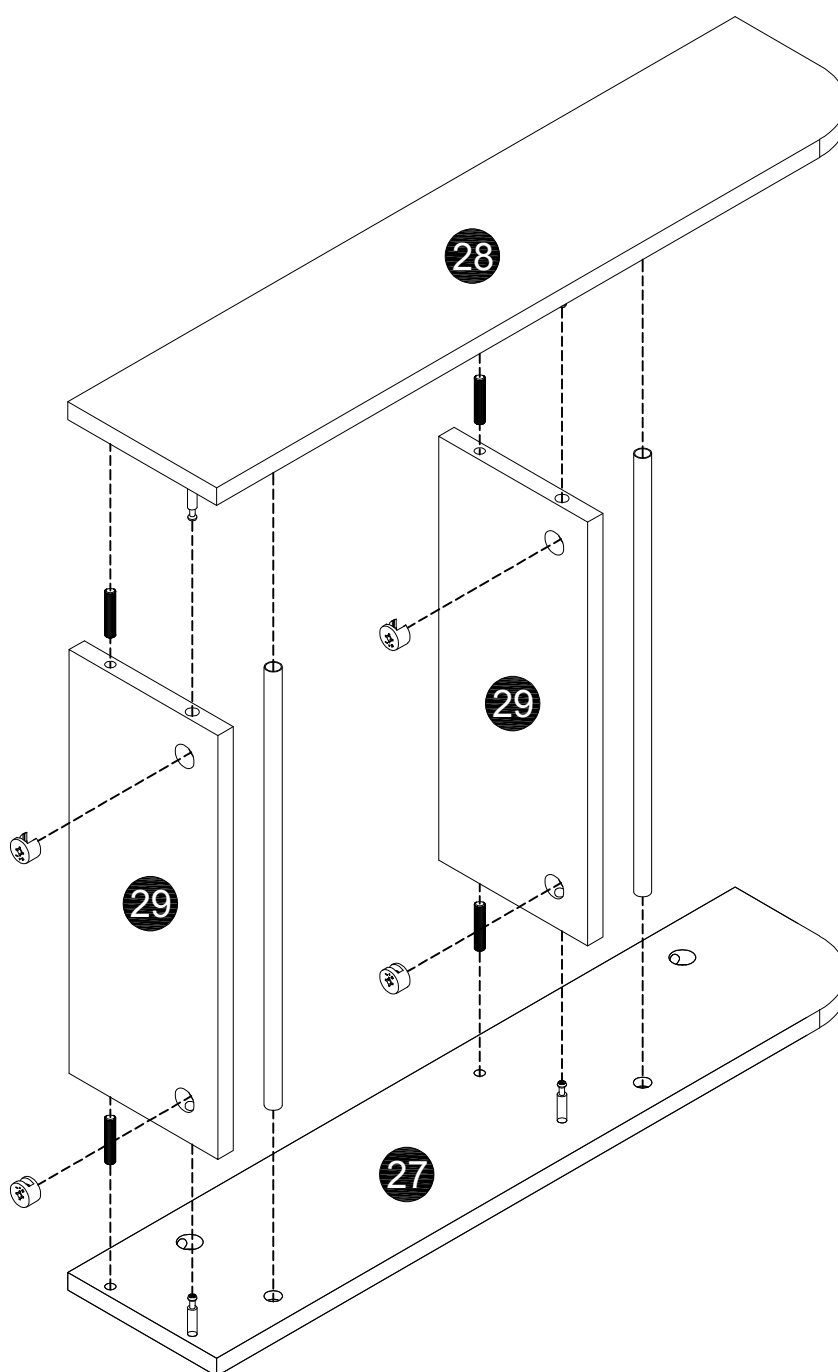
STEP 20



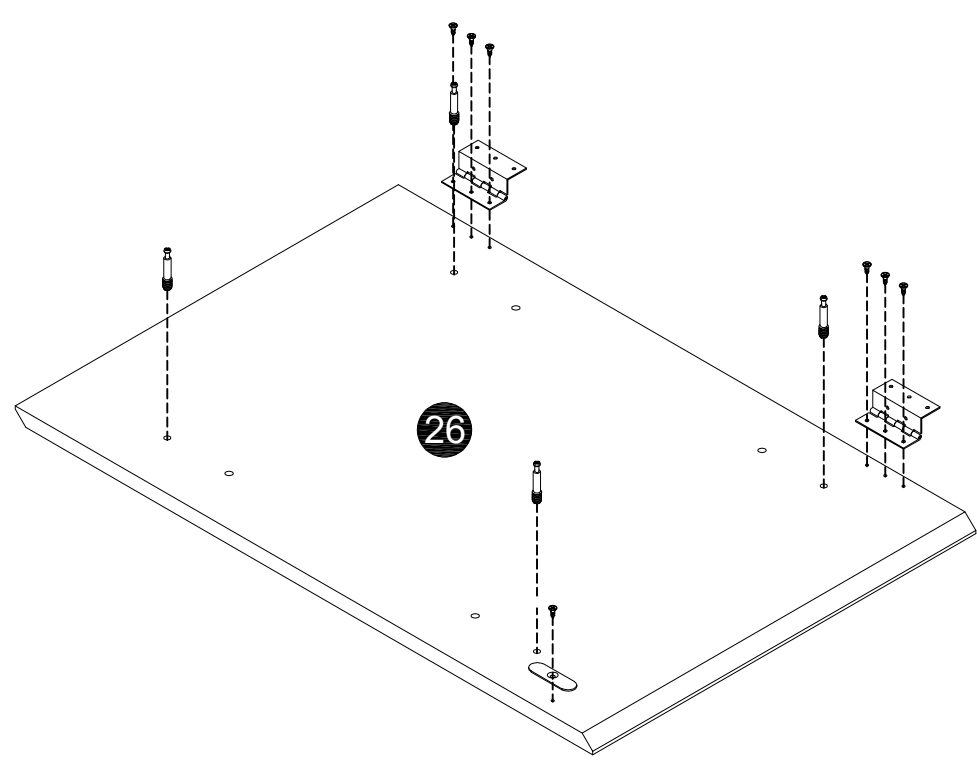
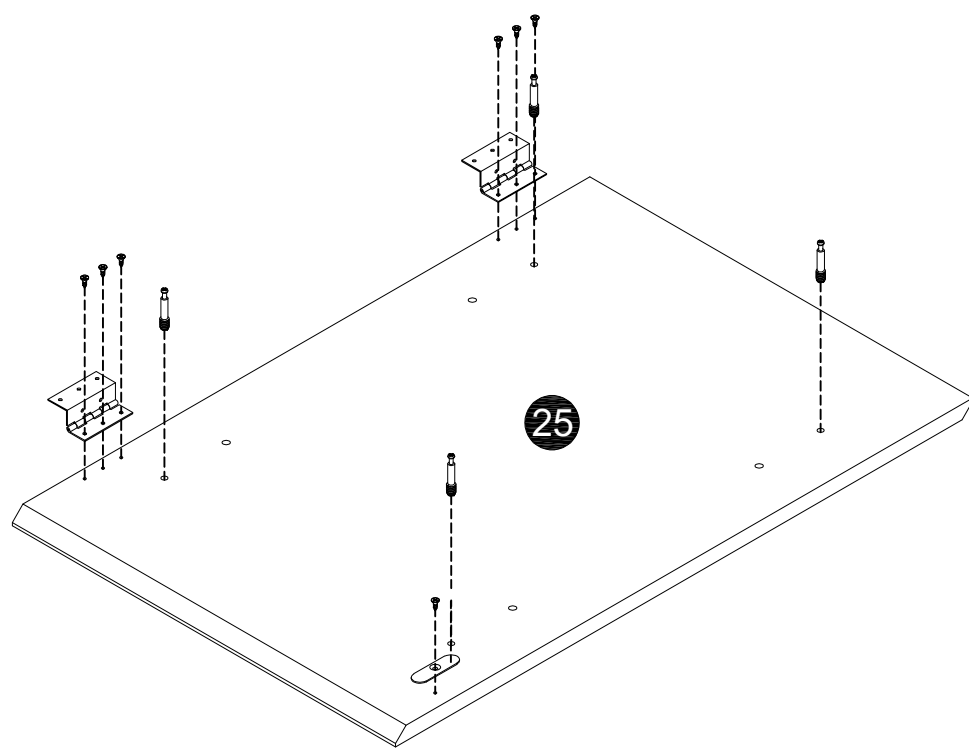
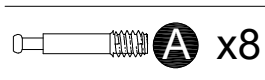
STEP 21



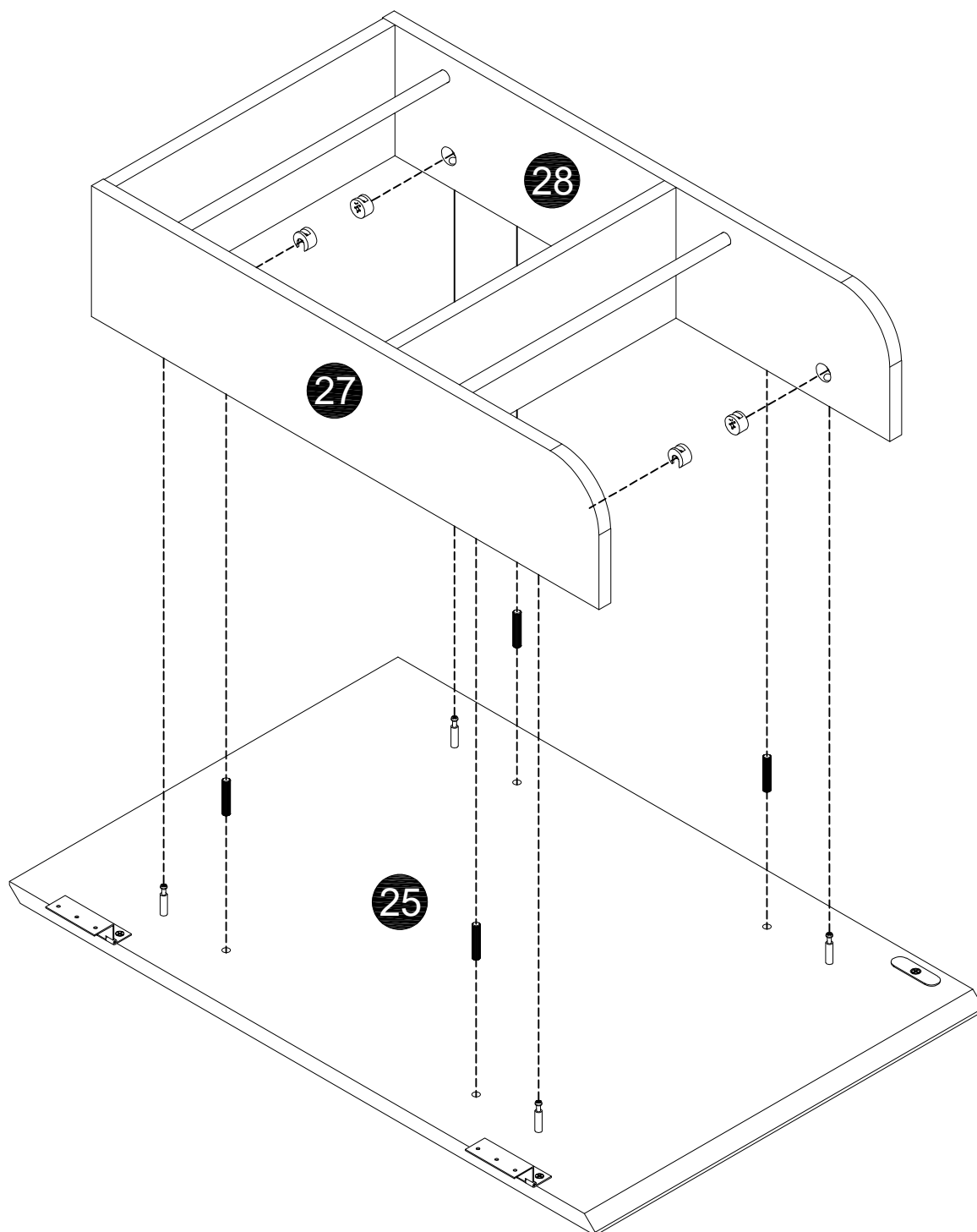
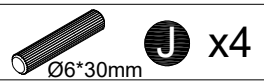
x2

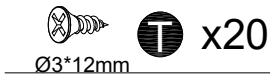


STEP 22

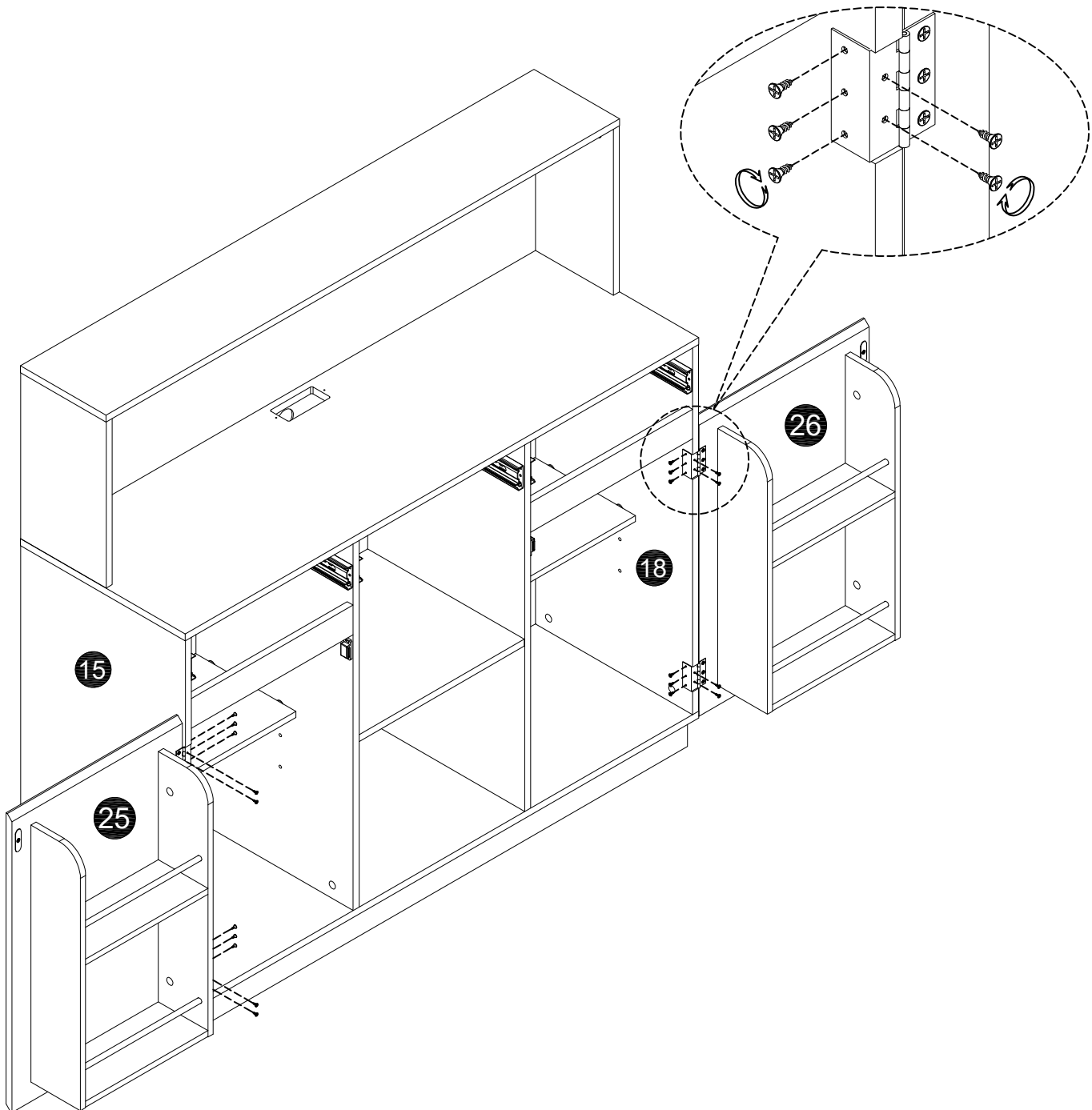


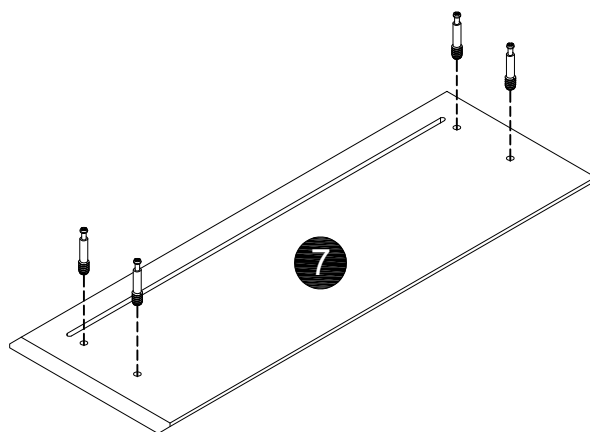
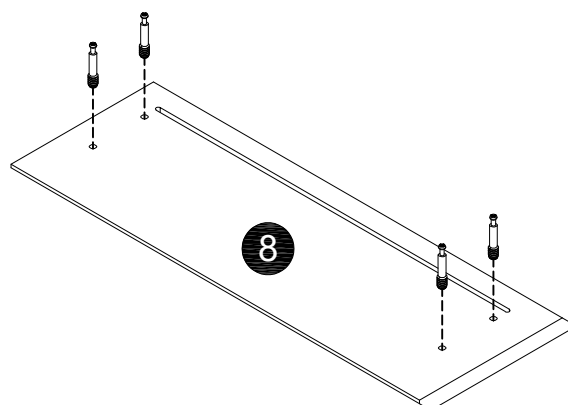
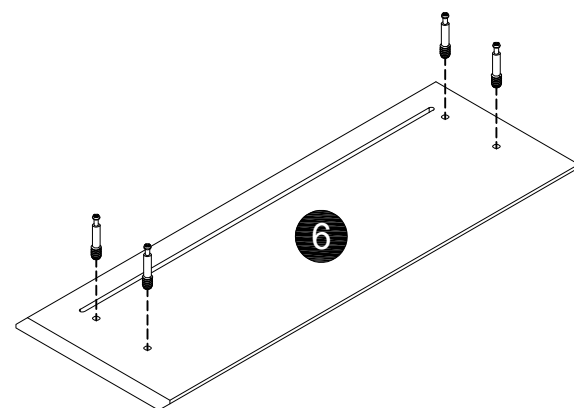
STEP 23



STEP 24

This step requires two people.

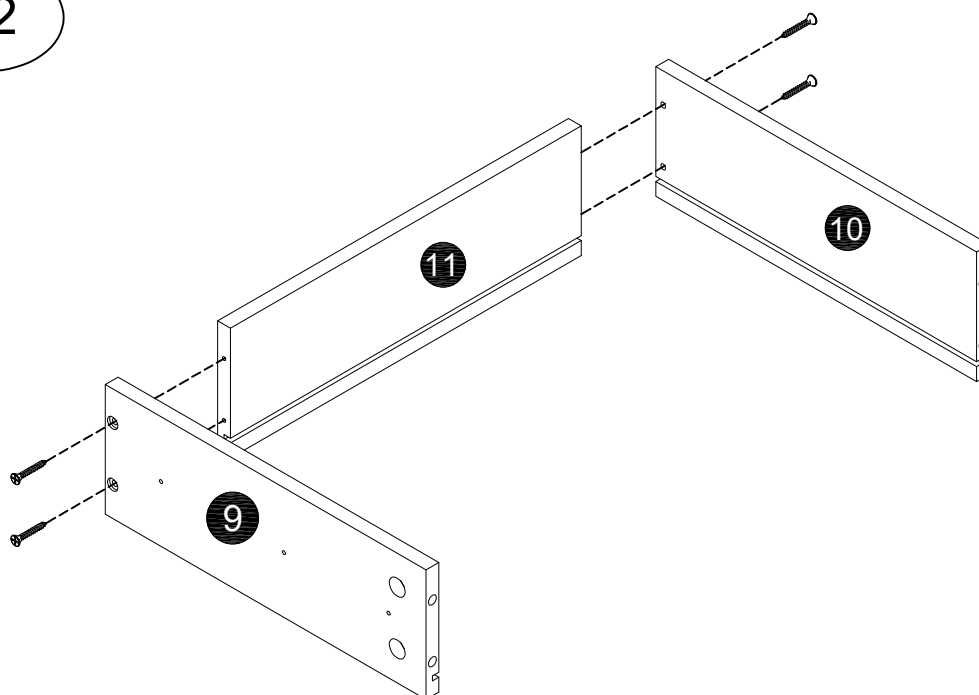


STEP 25 **A** x12

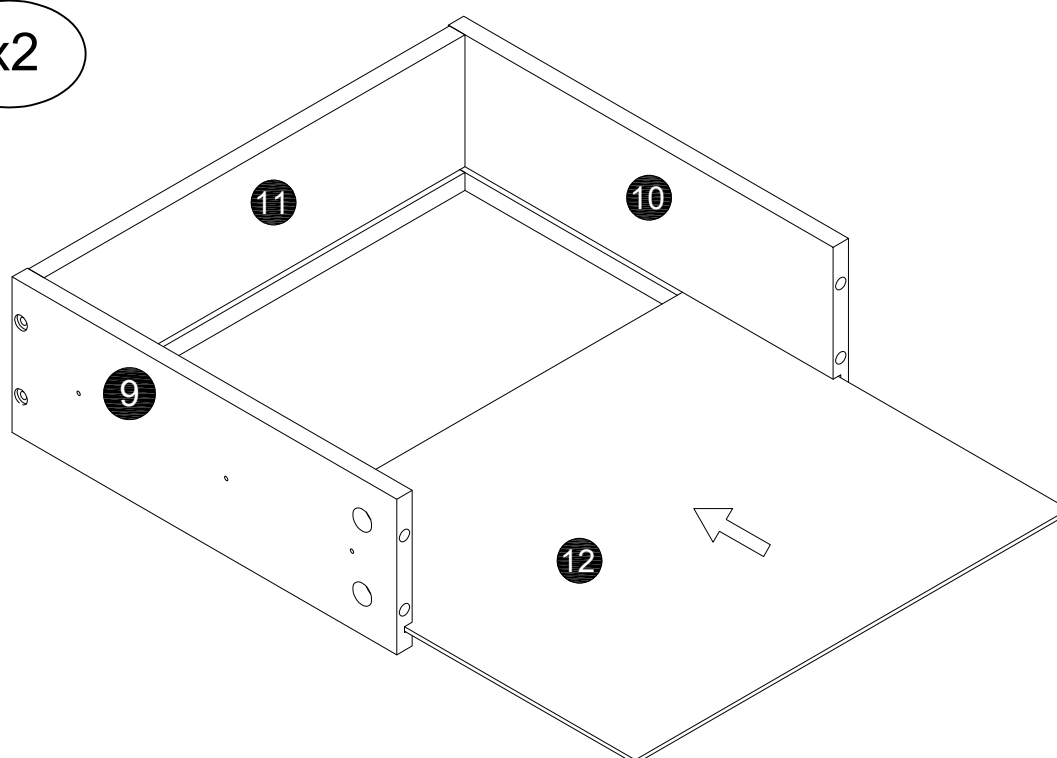
STEP 26

 N x8
 $\text{Ø}4 \times 30\text{mm}$

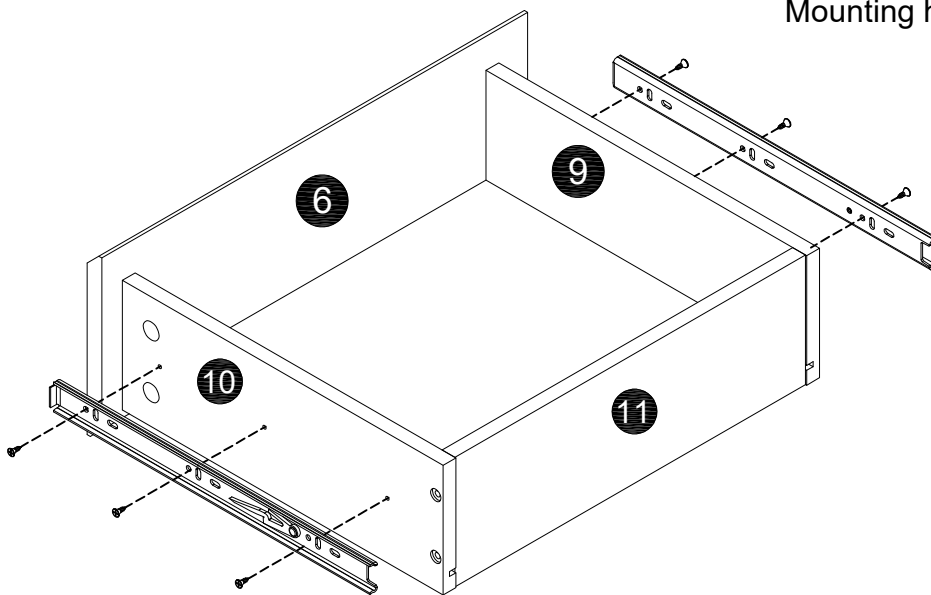
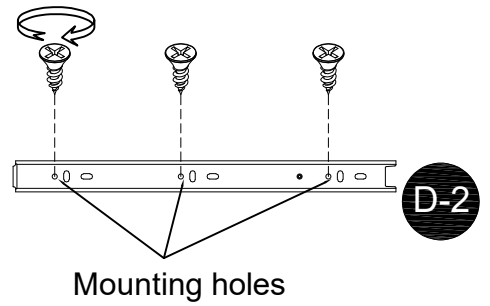
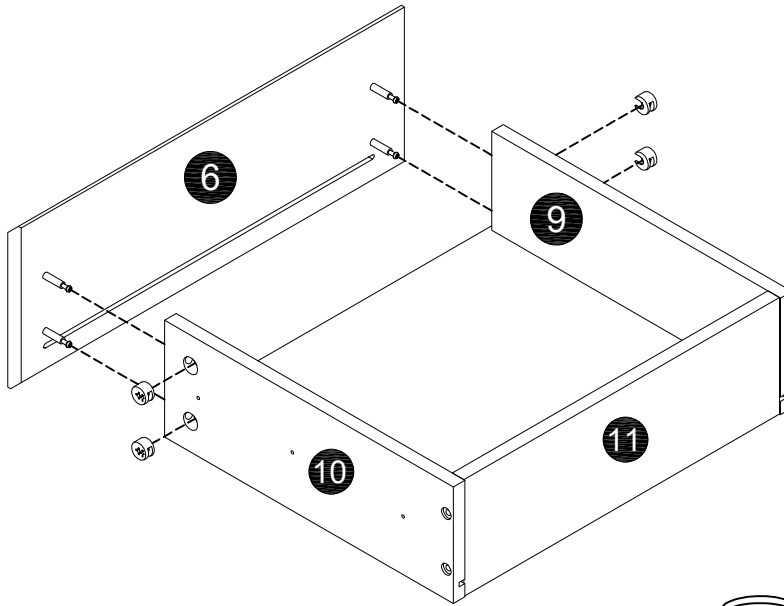
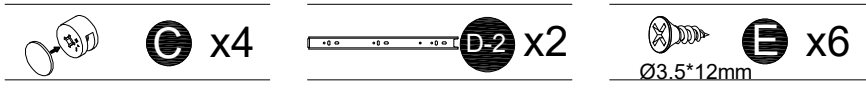
x2



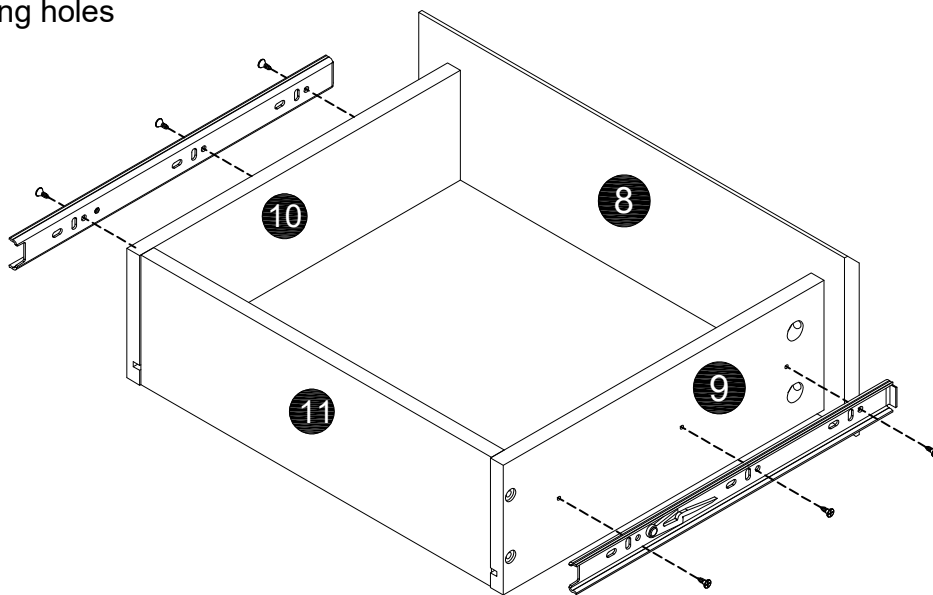
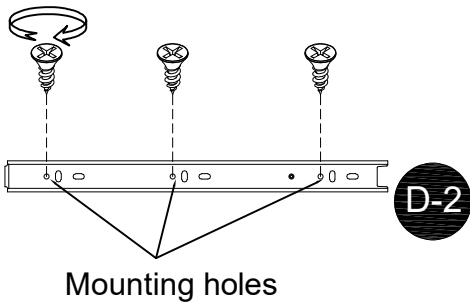
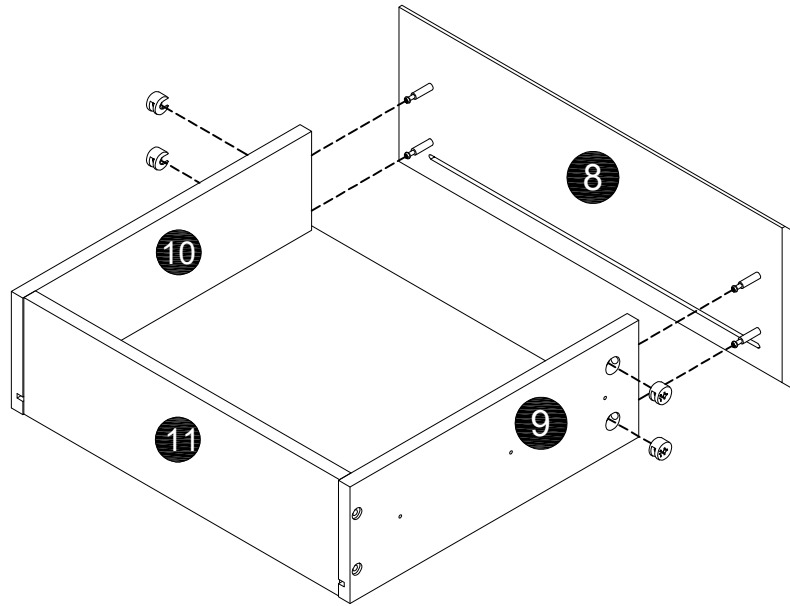
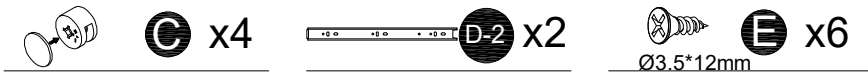
x2



STEP 27

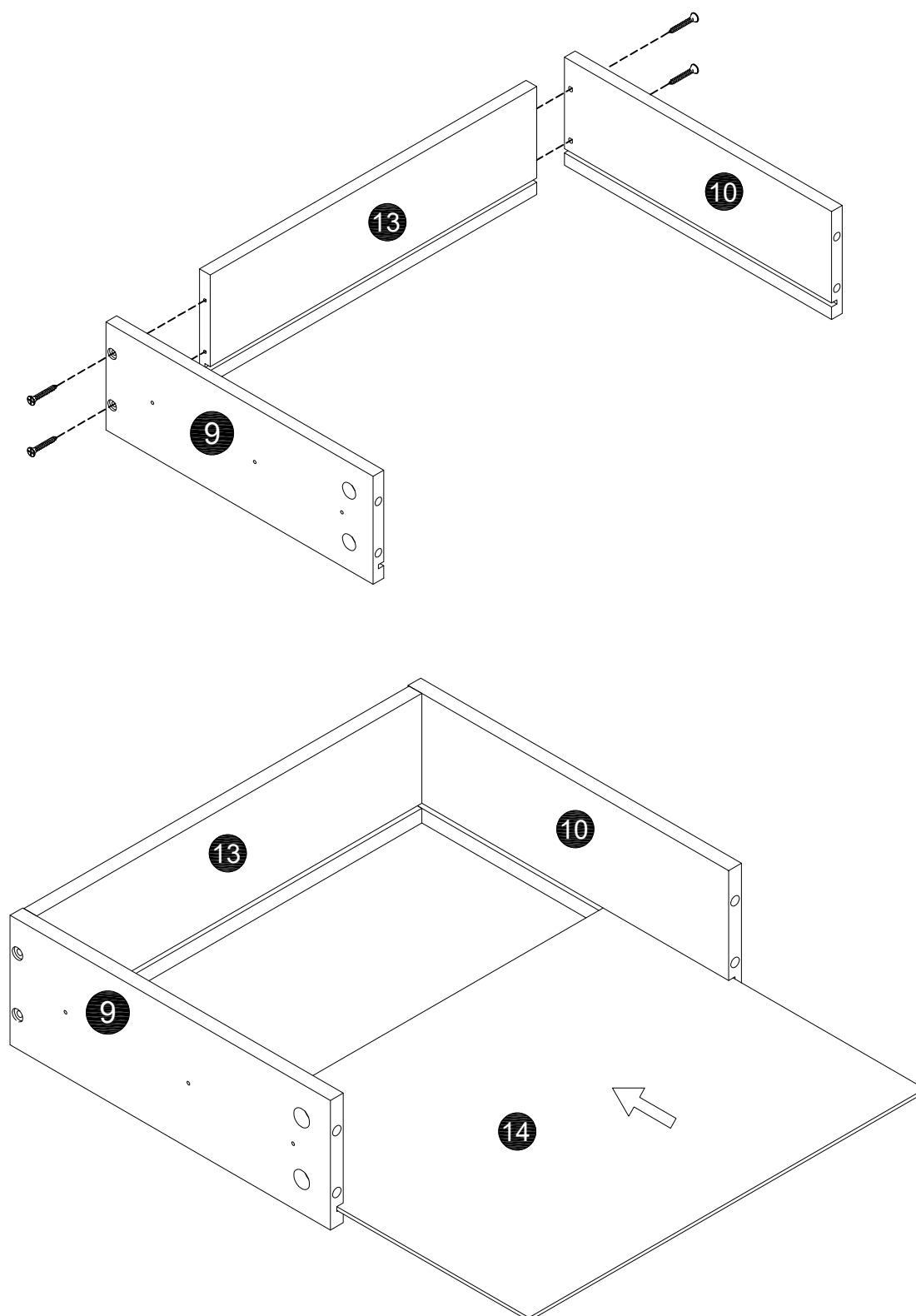


STEP 28

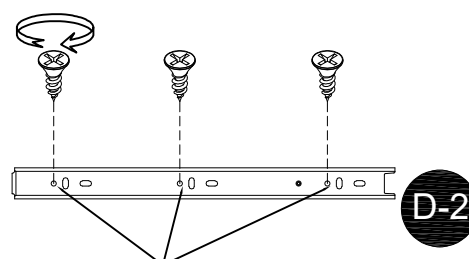
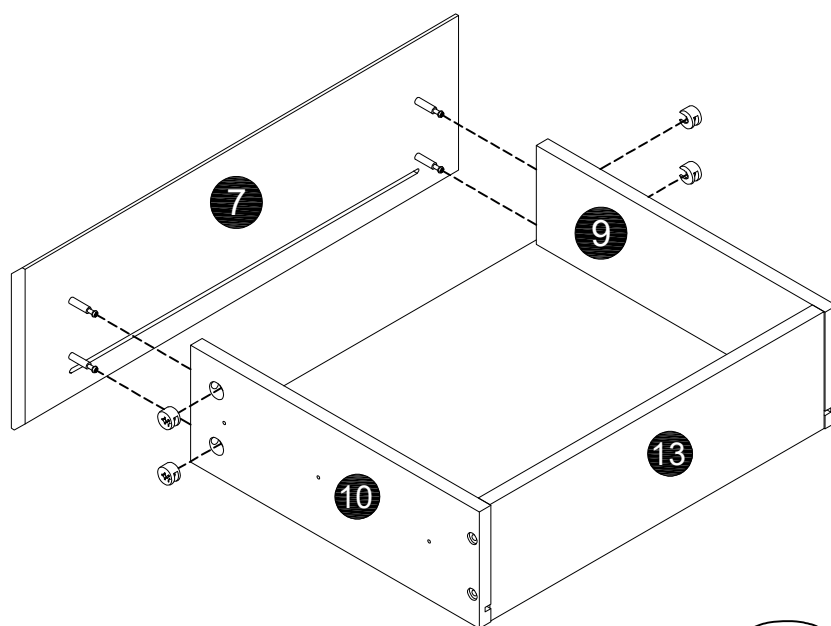
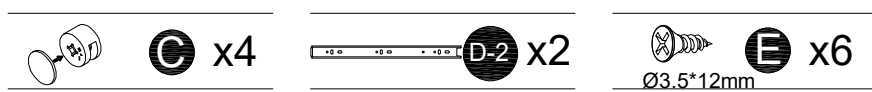


STEP 29

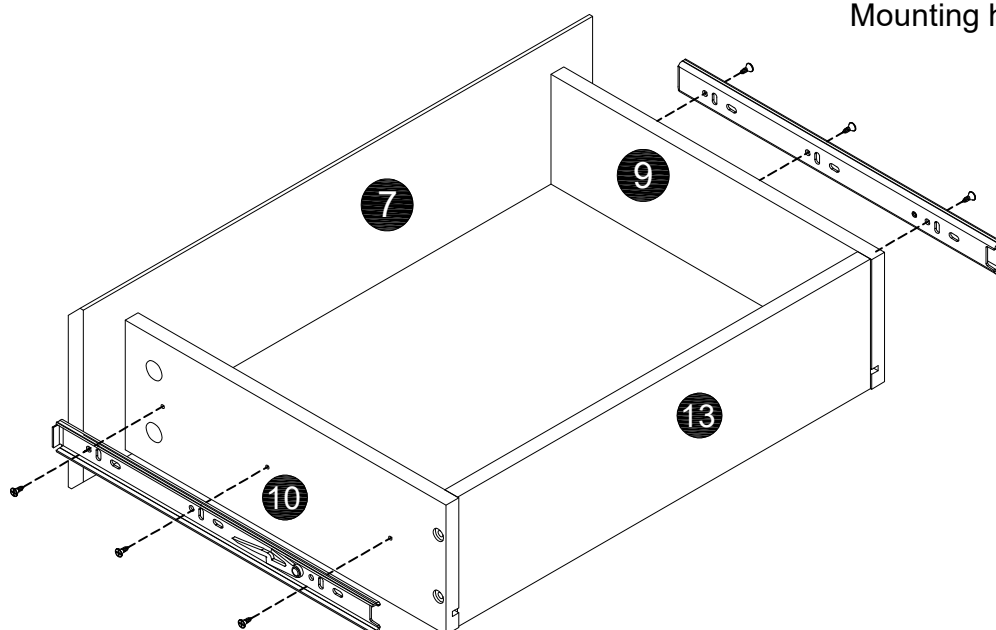
 N x4
 $\text{Ø}4 \times 30\text{mm}$



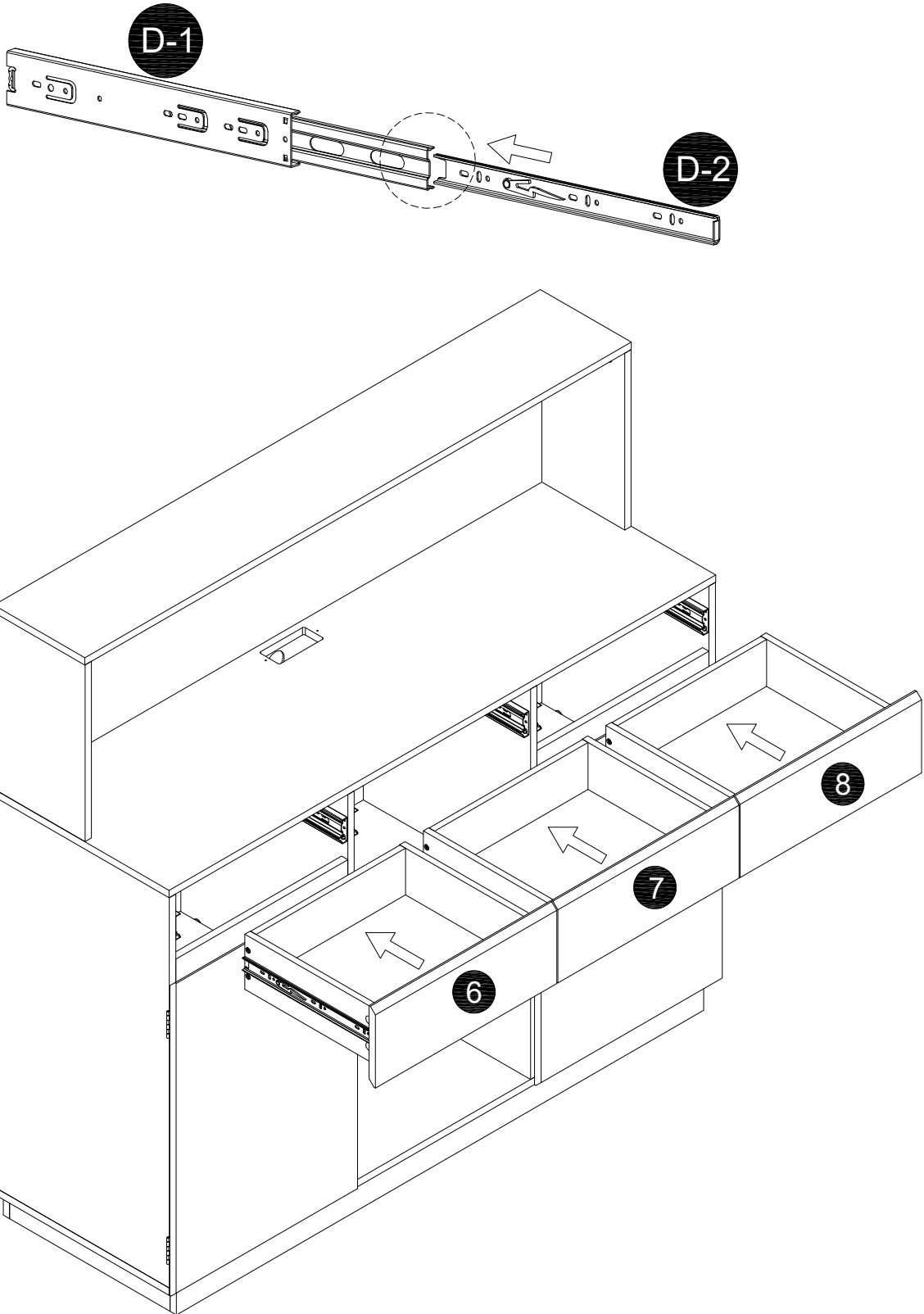
STEP 30

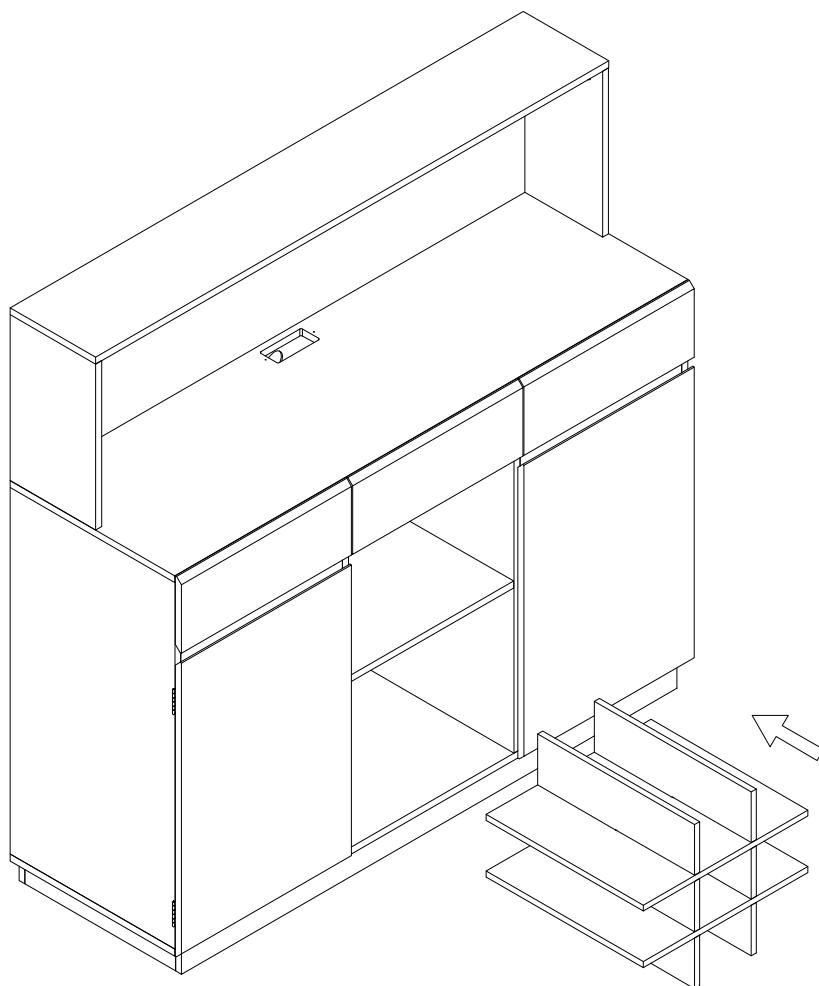
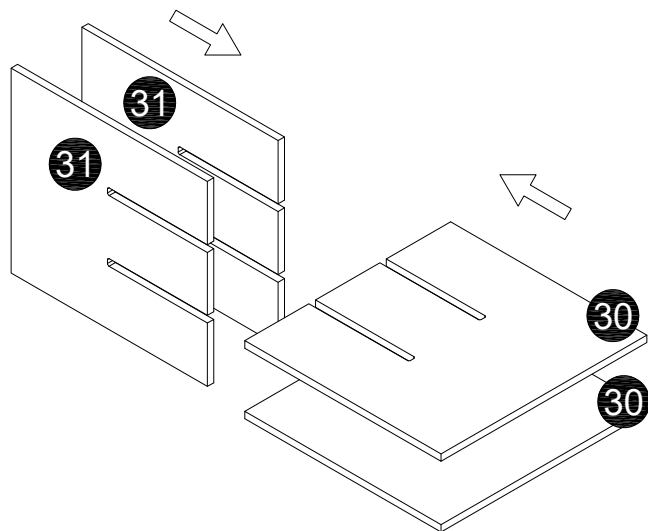


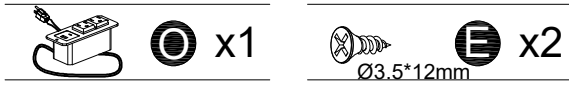
Mounting holes



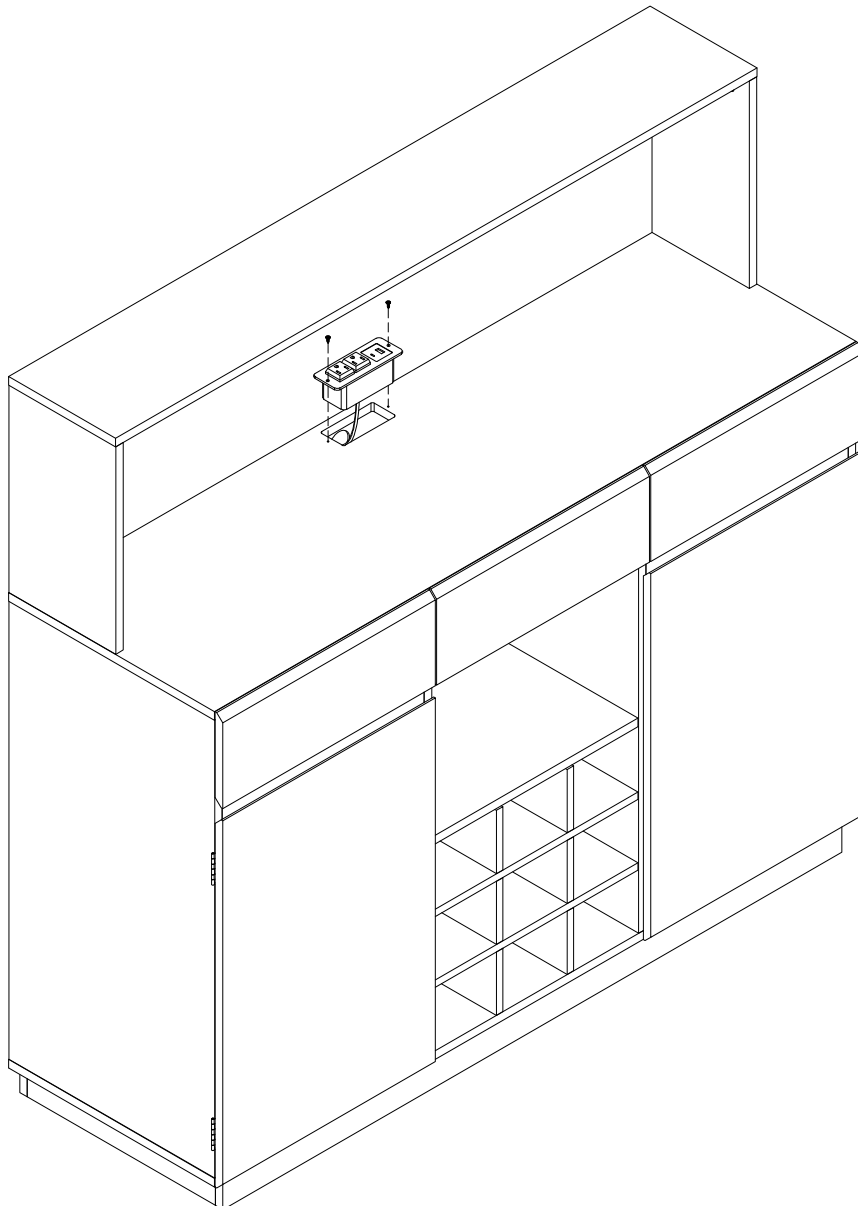
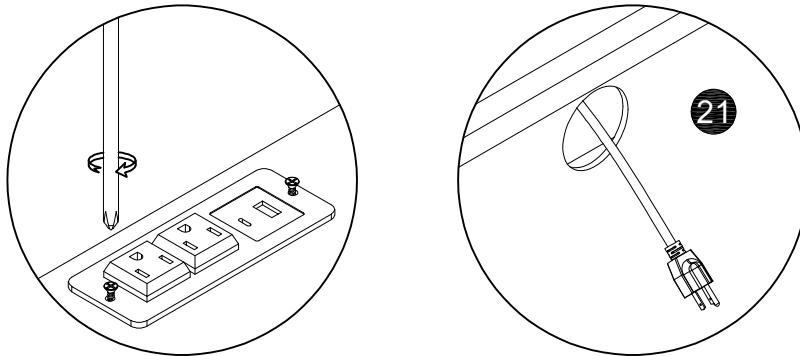
STEP 31



STEP 32

STEP 33

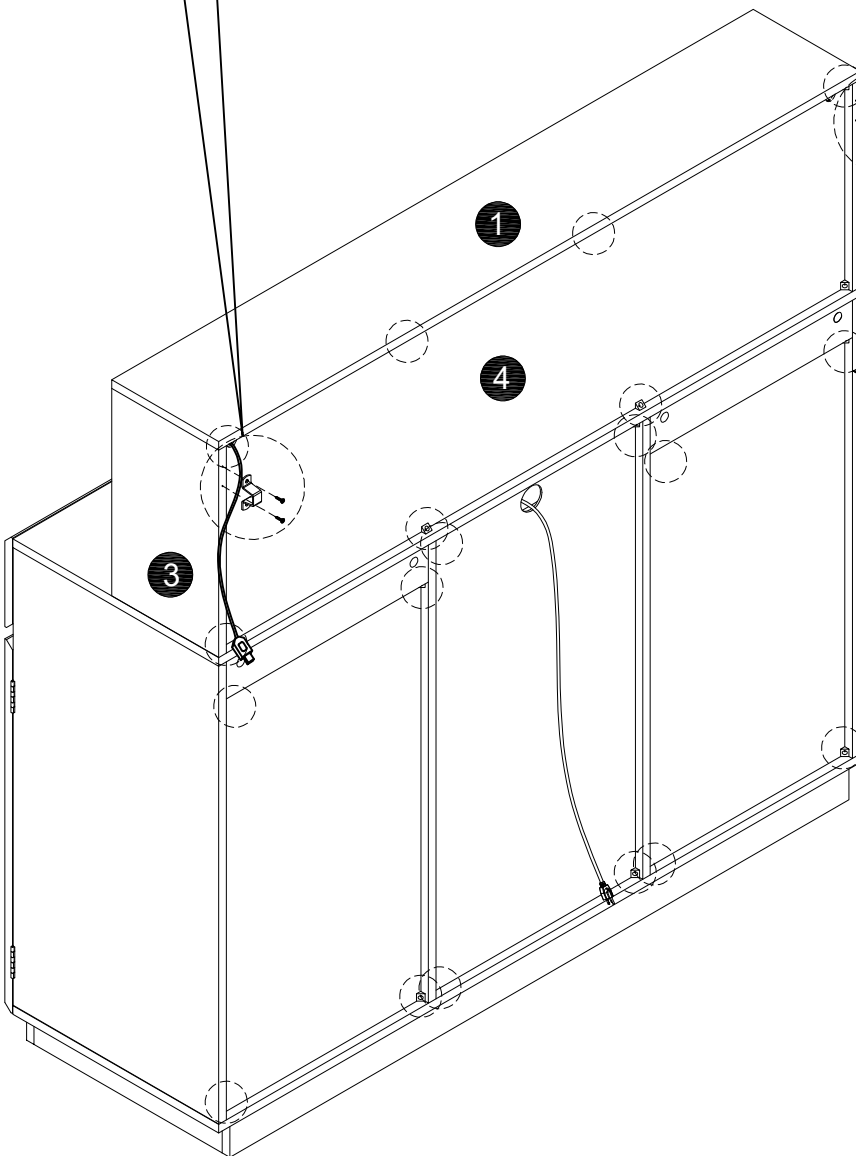
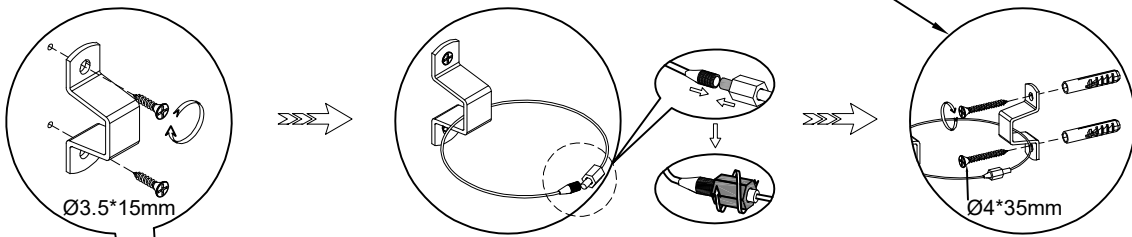
Feed the power cord through the pre-drilled hole on the middle-lower back panel, then insert the plug into a power outlet for use.



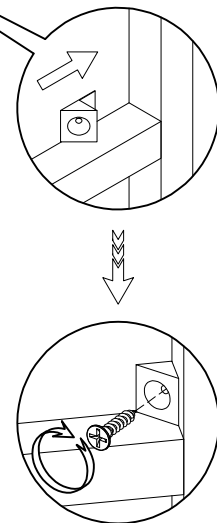
STEP 34

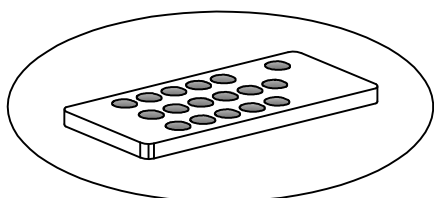


Used for fastening to the wall to secure the cabinet and prevent it from falling over.



Use plastic corner braces to fasten the back panel. Make sure to secure all four corners and the center points of all four edges of both the middle and lower back panels.



STEP 35

Use the remote to adjust the lighting modes. The remote control manual is packed together with the remote and the light.

