

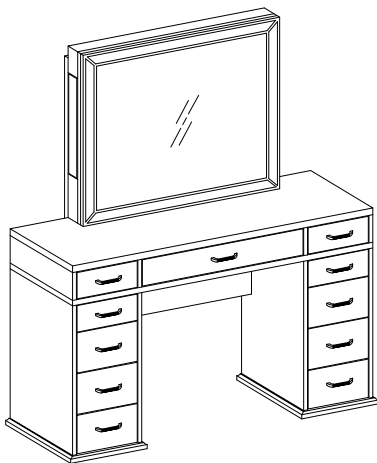
ASSEMBLY INSTRUCTIONS

MODEL #

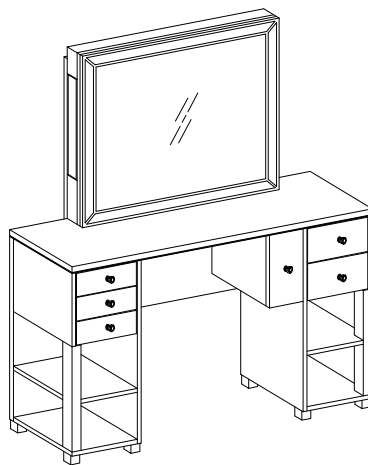
CM-DK932M

Questions?

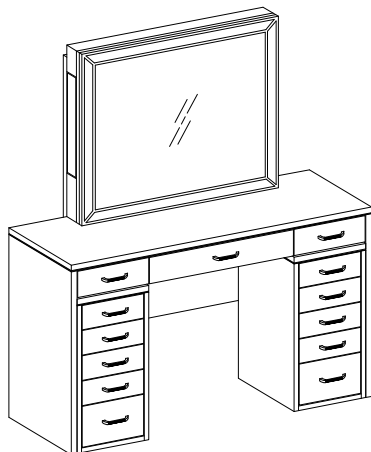
GIVE US A CALL: 1-888-980-5122
MON-FRI 8:30AM - 5:30PM (PT)



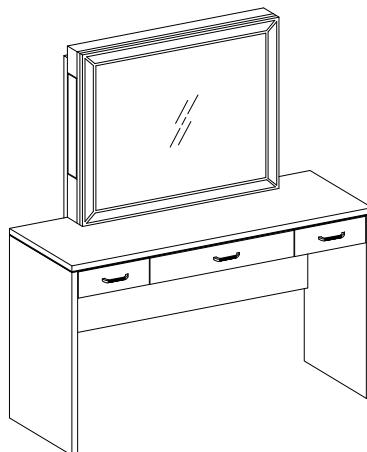
CM-DK932



CM-DK934



CM-DK933



CM-DK933-1

TOOLS REQUIRED



Allen Wrench

(Included)



Phillips Screwdriver

(Not Included)



2 - People Recommended

ASSEMBLY RATING



EASY —————> DIFFICULT

The Assembly Rating is a 5-point system showing the level of effort needed to assemble a specific product.





FOA Intro

Thank you for your purchase!

We hope you enjoy this new addition to your home for many years to come.

Our commitment to providing quality products does not simply end when you purchase our product. We fully stand behind our products from start to finish. Our customer service department is available Monday – Friday 8:30 AM – 5:30 PM Pacific Time and can help with assembly questions as well as, if necessary, replacing damaged or missing parts. To help expedite our service, please have these assembly instructions readily available, along with your order receipt.


 **Consumer Hotline**
Toll-Free 1-888-980-5122

 **Monday to Friday**
8:30AM- 5:30PM (PT)

 **WEBSITE**
www.foagroup.com

 **E-MAIL**
cs.ec@foagroup.com

    foagroup

 FurnitureOfAmerica

CHECK BEFORE STARTING

Are you missing anything?
Double-check all parts, hardware and accessories listed are all accounted for.

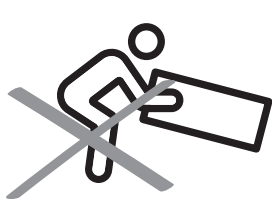
Check out our Quick Tips!
We recommend reviewing the pre-assembly handouts. Even experts need a refresher now and then!

Should we send any replacements?
Are there any irregularities or flaws in the parts? We can send replacements!

Prep Time!
Please review the assembly instructions and all diagrams prior to assembling.

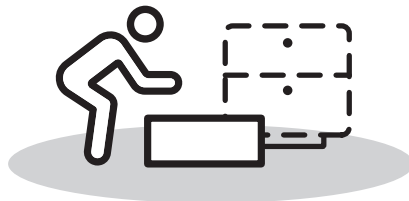
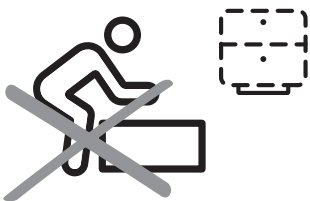
PRE ASSEMBLY INTRODUCTION

We understand building ready-to-assemble furniture can be a challenging experience for some. To help avoid confusion, we have provided some helpful tips that may speed up the process.



Teamwork

ALWAYS have at least two people to help with transporting and assembling the product to avoid potential injury and/or damage.



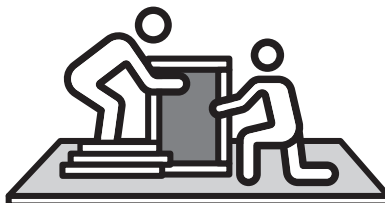
Suitable Location

Assembling near the area of the intended location is highly recommended.



Sufficient Space

Make sure you have enough space to move around during the assembly.



Avoid Scratches

Use cardboard, blankets or a carpeted area while assembling furniture to prevent to prevent scratches and damages.



Flat Surface

Make sure the furniture rests on a flat and level surface with each leg evenly touching the floor.

ASSEMBLY AND CARE ADVICE



FAILURE TO FOLLOW THE GUIDELINES BELOW MAY RESULT IN INJURY AND/OR PROPERTY DAMAGE.



Position each part correctly and insert screws or bolts into their respective holes.



Turn clockwise to tighten and only tighten when step is completed or when instructed to do so.



Use the appropriate hand tools or power tools for assembly. Select steps, such as tightening screws and/or bolts, may require hand tools to avoid causing damage during assembly.



Save the instructions and store any supplied tools for later maintenance.



After two weeks, check and tighten any loose hardware and repeat again every six months thereafter.

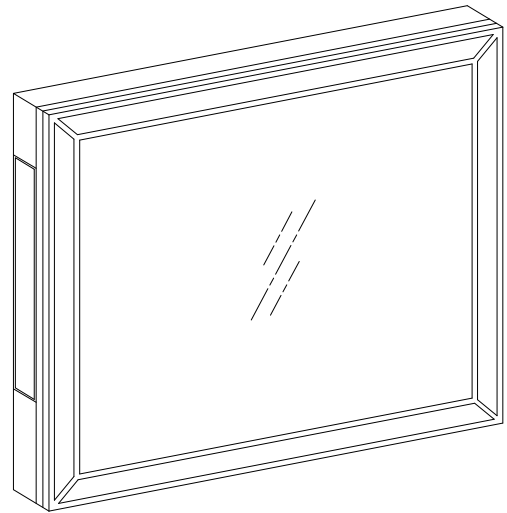
IT IS THE USER'S RESPONSIBILITY TO MAINTAIN THE FURNITURE. THE HARDWARE MAY LOOSEN OVER TIME AND MAY CAUSE THE FURNITURE TO BE WOBBLY AND UNABLE TO SUPPORT ITS INTENDED WEIGHT CAPACITY. THIS MAY LEAD TO COLLAPSE AND MAY CAUSE SERIOUS INJURY.

MIRROR

CM-DK932M

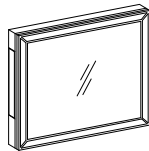


- Please keep instructions for future reference.
- Check the quantity and irregularity of parts and hardware before you start.



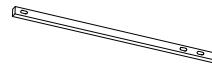
PARTS

#1 1pc



Mirror

#2 2pcs



Mirror support rail

HARDWARE

#A 8pcs



Bolt $\text{\O}1/4'' \times 2''$

#B 8pcs



Lock washer $\text{\O}1/4''$

#C 8pcs



Washer $\text{\O}5/16'' \times 19\text{mm}$

#D 1pc



Allen Wrench 4mm

#E 1pc



Plug

ASSEMBLY INSTRUCTIONS

1

Attach mirror support rails (#2) to the table top using Bolts (#A) with Washers (#B,C).

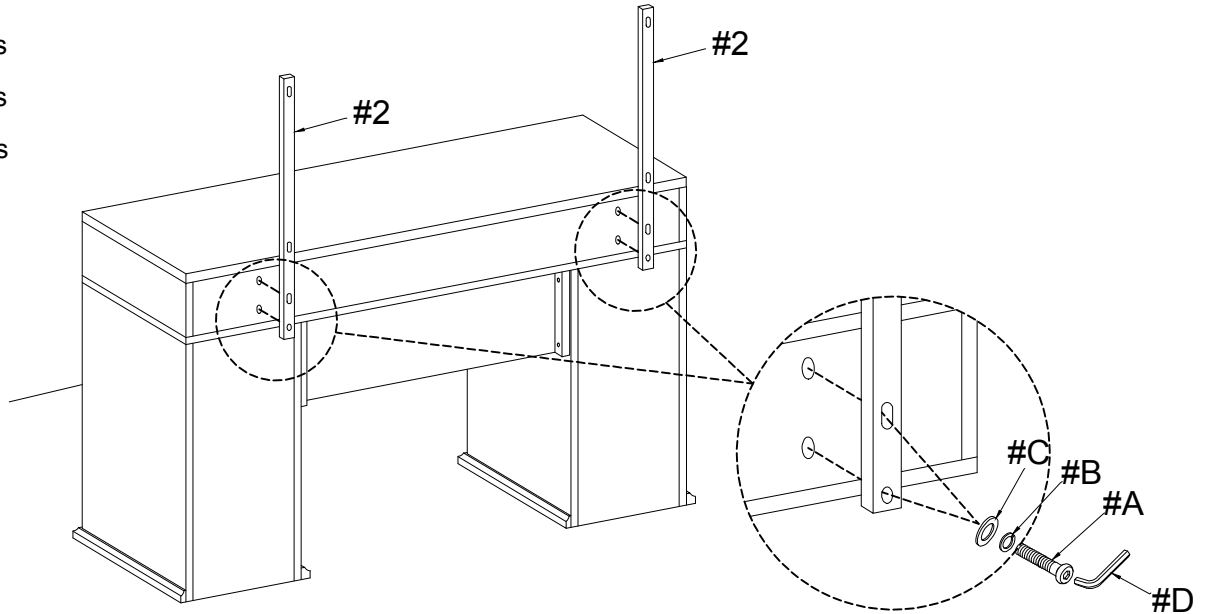
Part #2 x2pcs

Hardware #A x4pcs

Hardware #B x4pcs

Hardware #C x4pcs

CM-DK932
CM-DK933
CM-DK933-1
CM-DK934



2

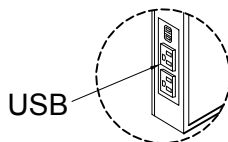
Align the Mirror (#1) to the support rails and secure in place using Bolts (#A) with Washers (#B,#C).

Part #1 x1pc

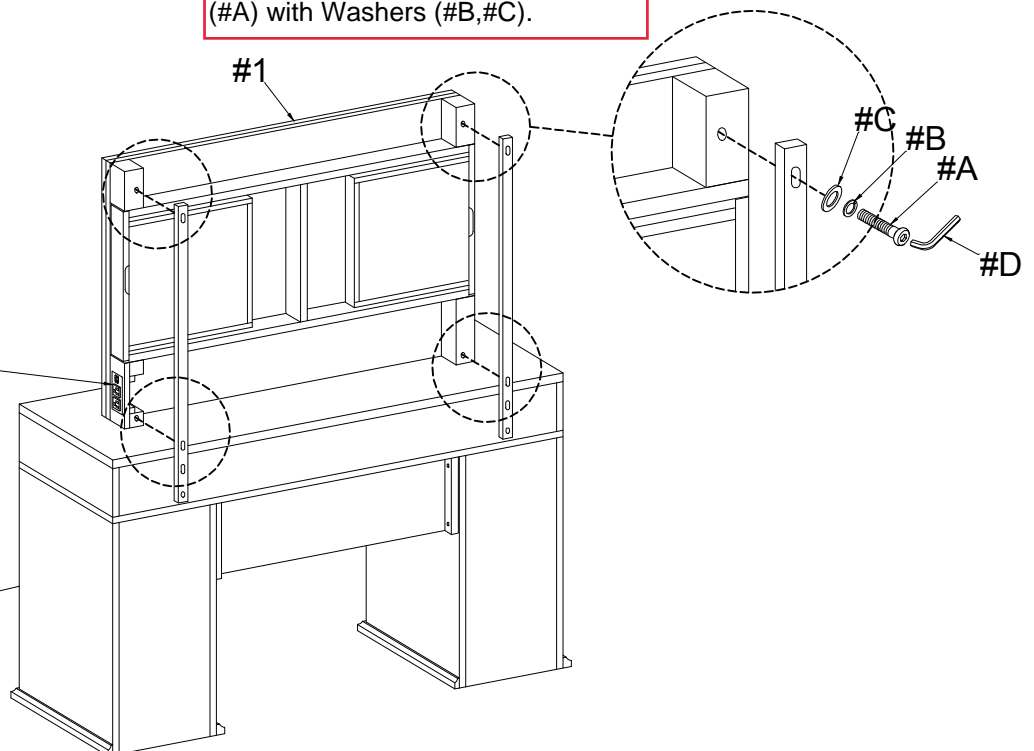
Hardware #A x4pcs

Hardware #B x4pcs

Hardware #C x4pcs

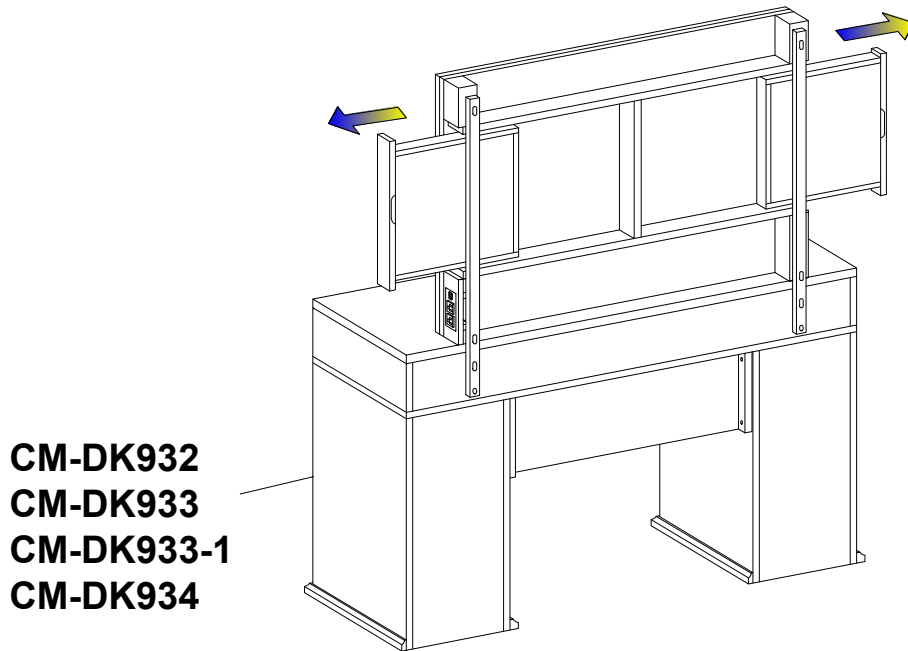


CM-DK932
CM-DK933
CM-DK933-1
CM-DK934



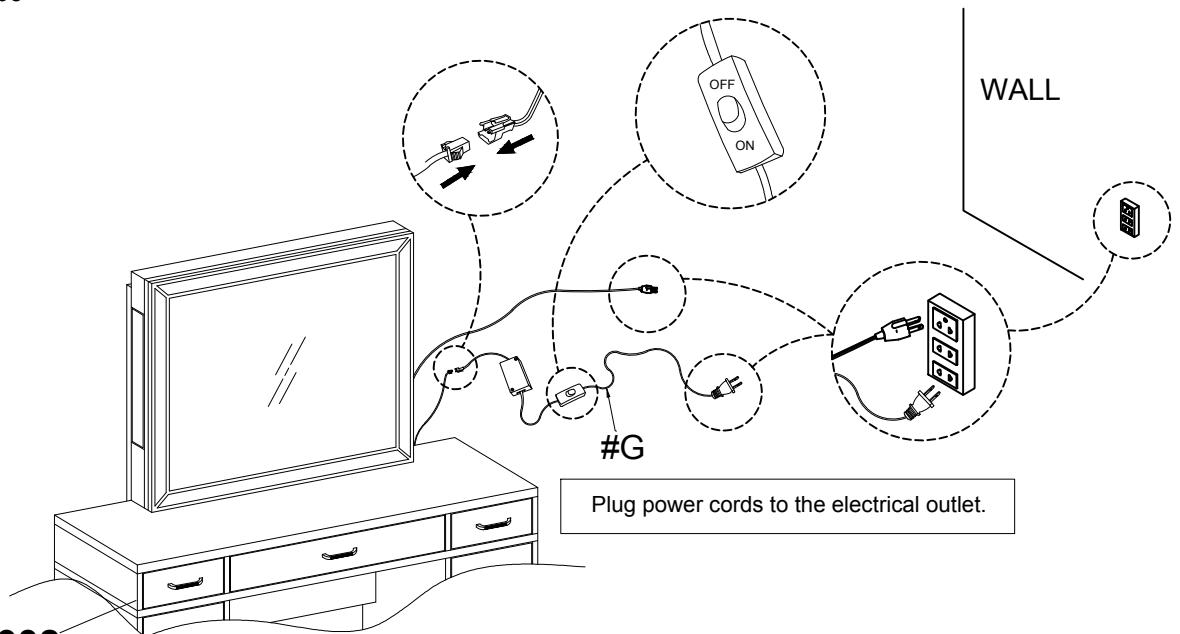
ASSEMBLY INSTRUCTIONS

3



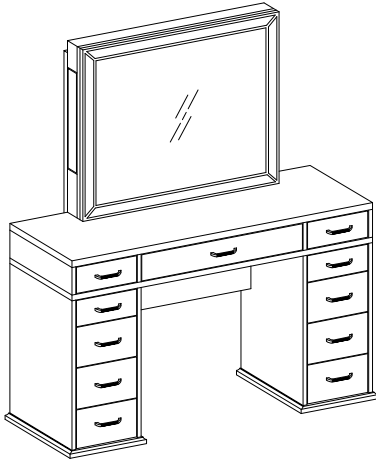
4

Hardware  #G x1pc

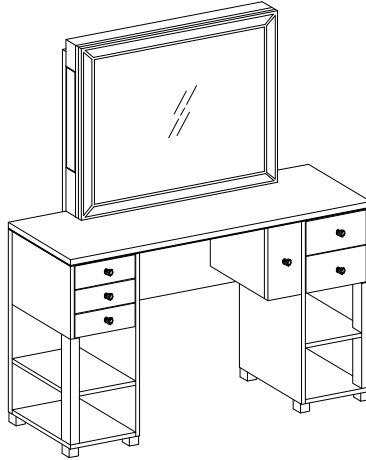


ASSEMBLY INSTRUCTIONS

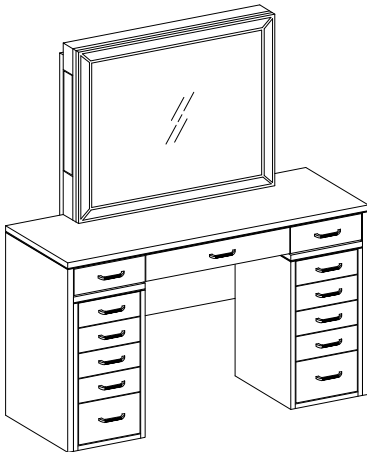
5



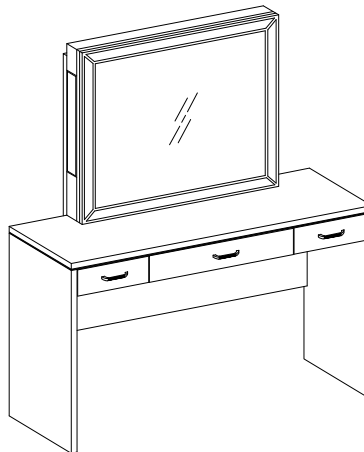
CM-DK932



CM-DK934



CM-DK933



CM-DK933-1

ASSEMBLY COMPLETED



Please ensure the furniture rests on an even and flat surface. If the product wobbles or feels loose, double-check all bolts and/or screws are properly tightened and secured.

✓ Keep this handy!

Please retain this instruction manual and any order-related information for future reference.

✓ Lift, don't drag!

To avoid damage to product please always LIFT the product when transporting or adjusting the placement.