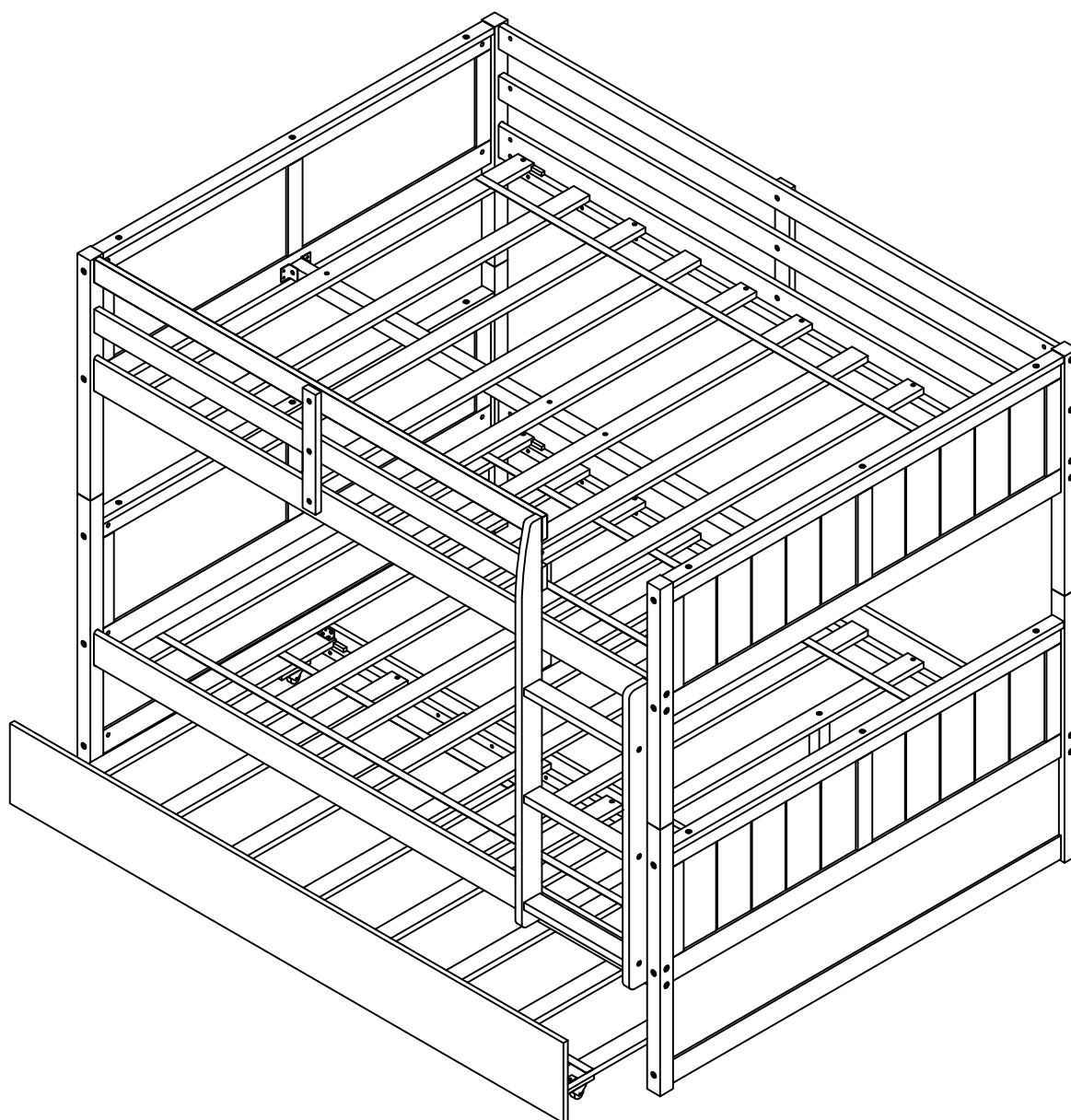
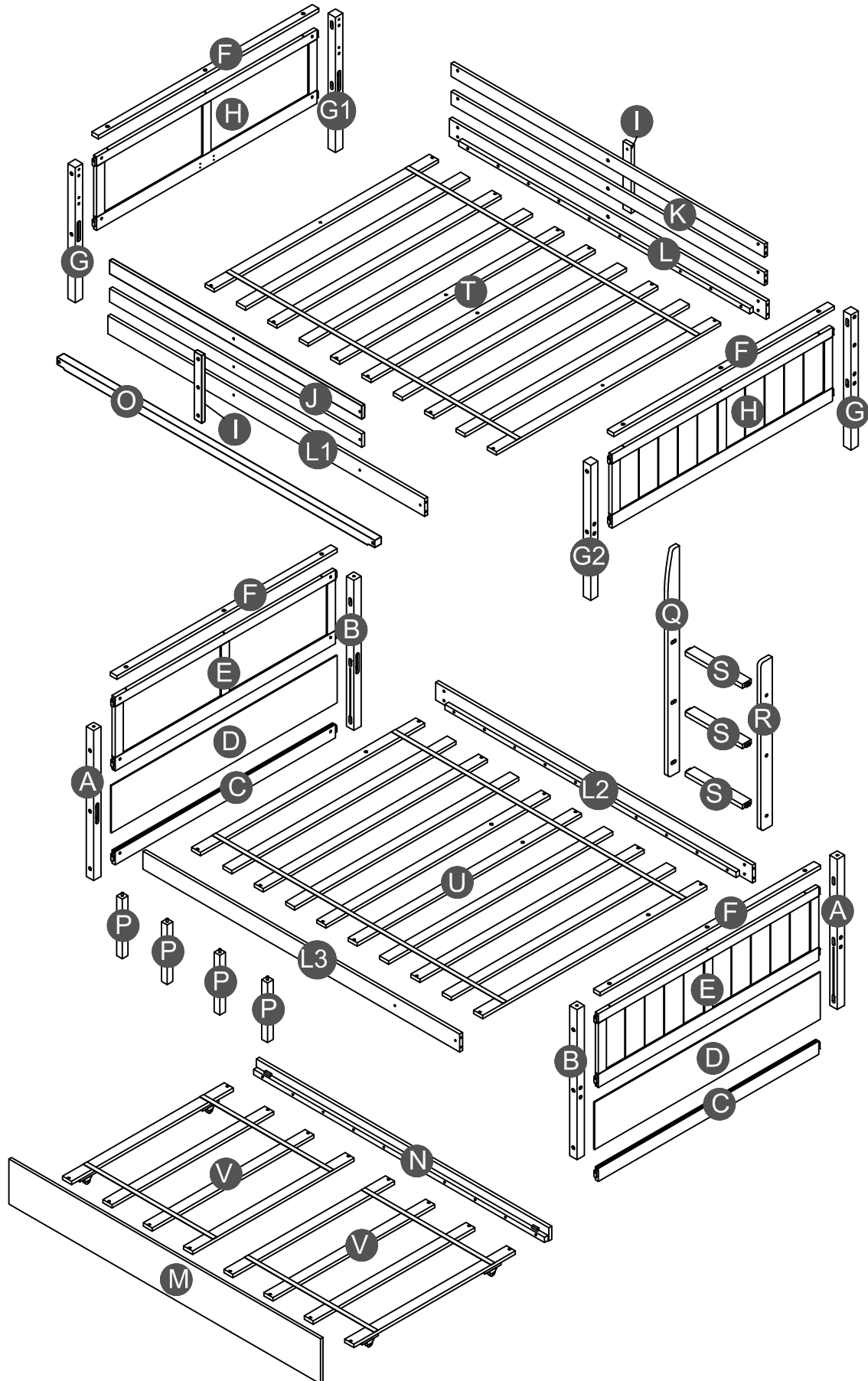


ASSEMBLY INSTRUCTIONS

BUNKBED WITH TRUNDLE

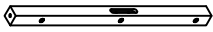
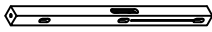



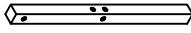
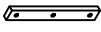
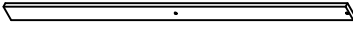
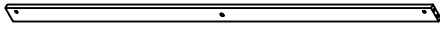

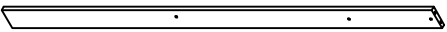

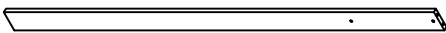
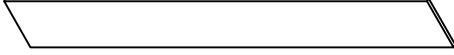
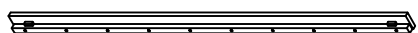
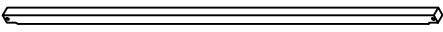
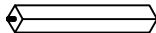
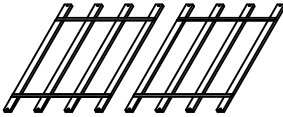



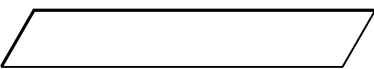
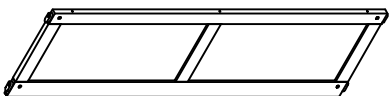

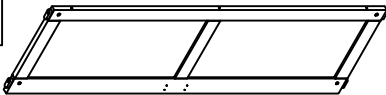
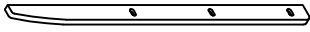
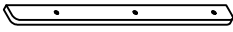
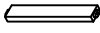
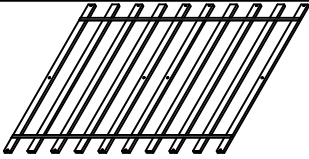
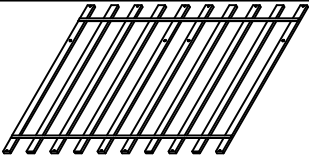
Detail View




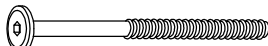
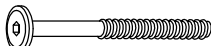
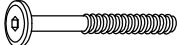




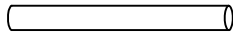
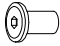
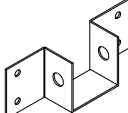

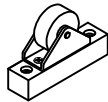
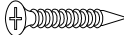

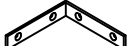

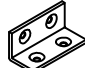
Part List

Hardware List

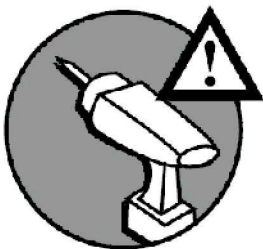
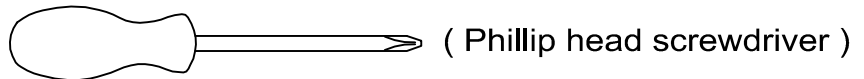
A  Lower leg HB&FB (Left)- 2pcs	B  Lower leg HB&FB (Right)- 2pcs	F  Cap for upper HB&FB - 2pcs
G  Upper leg HB&FB (Left,Right)-2pcs	G1  Upper leg HB (Right)-1pc	G2  Upper leg FB (Left)-1pc
I  Vertical guard rail - 2pcs	J  Upper Guard rail (front) - 2pcs	K  Upper Guard rail (back) - 2pcs
L  Upper side rail (back)- 1pc	L1  Upper side rail (front)- 1pc	L2  Lower side rail (back)- 1pc
L3  Lower side rail (front)- 1pc	M  Drawer front panel - 1pc	N  Drawer back panel - 1pc
O  Slat support - 1pc	P  Lower slat support- 4pcs	V  Drawer Slat - 8pcs

C  Horizontal bar - 2pcs	D  Lower Side panel - 2pcs	E  Lower HB&FB (2pcs)
F  Cap for lower HB&FB - 2pcs	H  Upper HB&FB (2pcs)	Q  Left side ladder - 1pc
R  Right side ladder - 1pc	S  Step ladder - 3pcs	T  Upper Slat - 1set (10pcs)
U  Lower Slat - 1set (10pcs)		

Hardware List

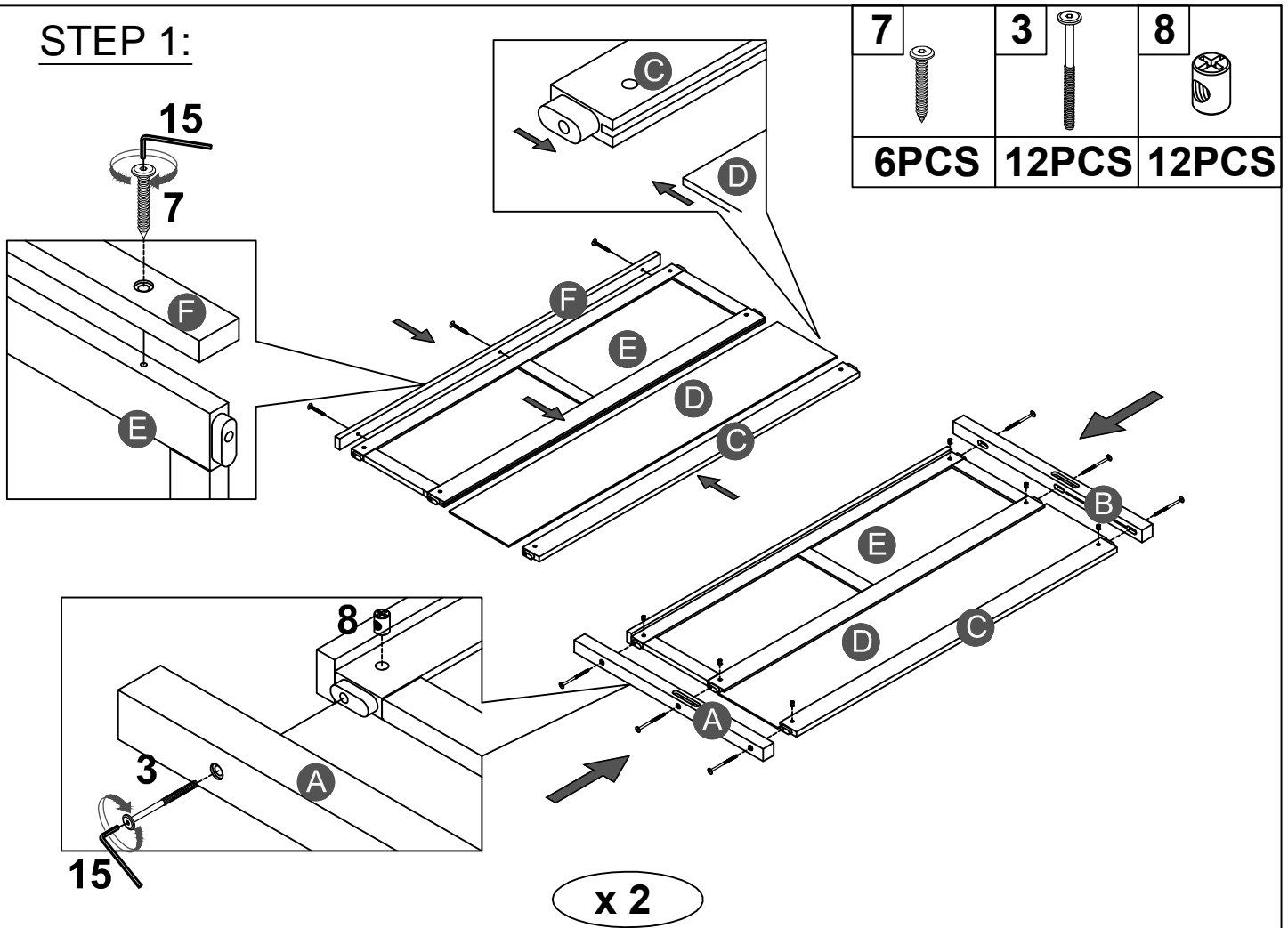
1	 Ø10*40mm Wood dowel (6pcs)	2	 (Ø15)1/4"*100mm Hex-Head bolts (22pcs)	3	 (Ø15)1/4"*80mm Hex-Head bolts (20pcs)
4	 (Ø12)1/4"*60mm Hex-Head bolts (6pcs)	5	 (Ø12)1/4"*40mm Hex-Head bolts (8pcs)	6	 (Ø12)1/4"*30mm Hex-Head bolts (6pcs)
7	 (Ø12)1/4"*40mm Hex-Head bolts (12pcs)	8	 1/4"*15 (9.5mm) Horizontal-Hole bolts(48pcs)	9	 Ø9*90mm Connecting bar (4pcs)
10	 (Ø13)1/4" x 9/16" Hex Cap (2pcs)	11	 116*40*27mm Hooks(2pcs)	12	 Ø3.5*15mm Wood screws (8pcs)
13	 100*65*20mm Wheels (4pcs)	14	 Ø4*30mm Wood screws (52pcs)	15	 (1/4")4.5*58mm Allen key (2pcs)
16	 95*95*18*3mm Metal bracket (2pcs)	17	 Ø3.5*15mm Wood screws (16pcs)	18	 40*18*18*2mm Metal bracket (2pcs)

ASSEMBLY TOOLS REQUIRED (NOT INCLUDED)

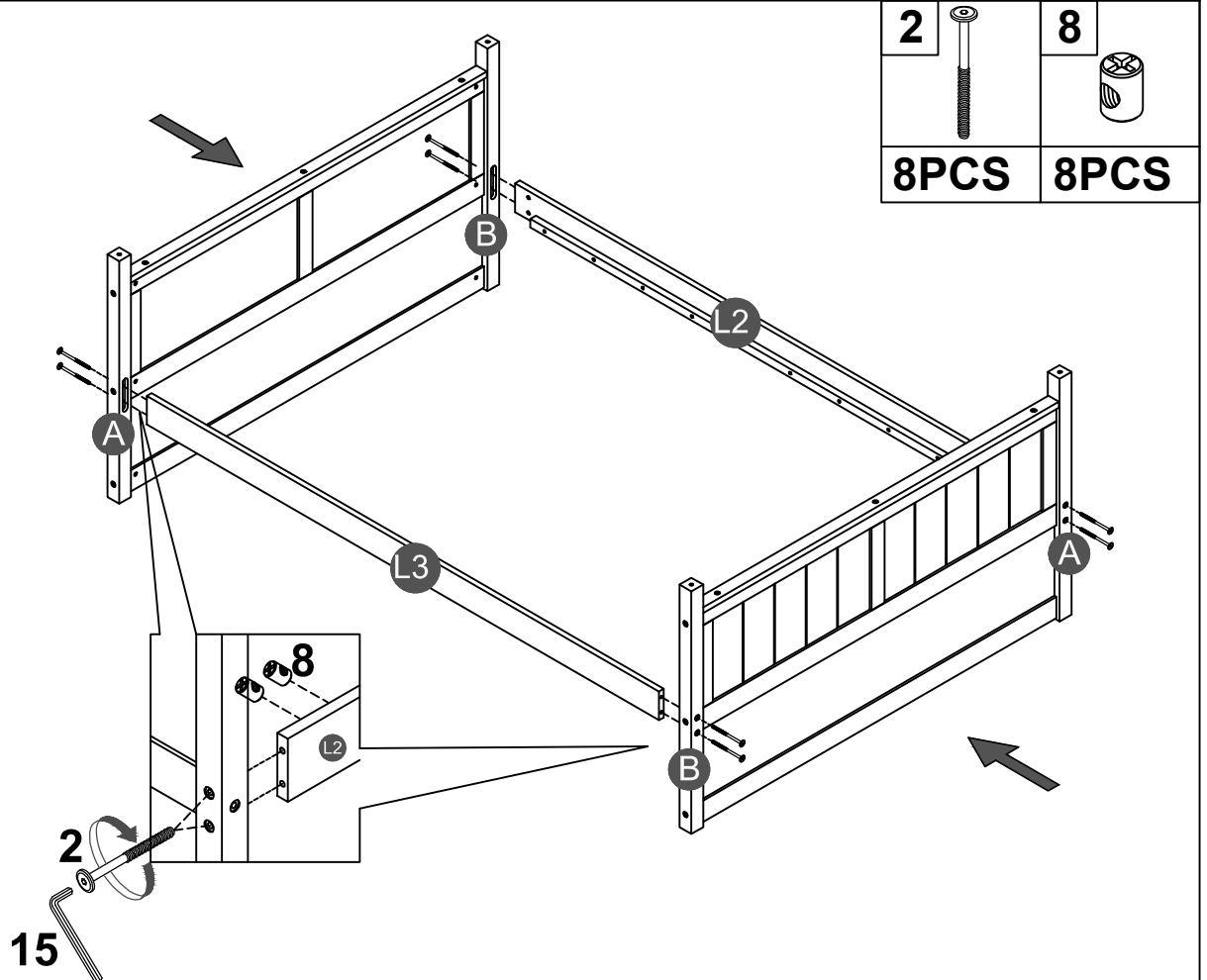


DO NOT USE POWER TOOLS TO ASSEMBLE THIS PRODUCT !

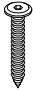
STEP 1:

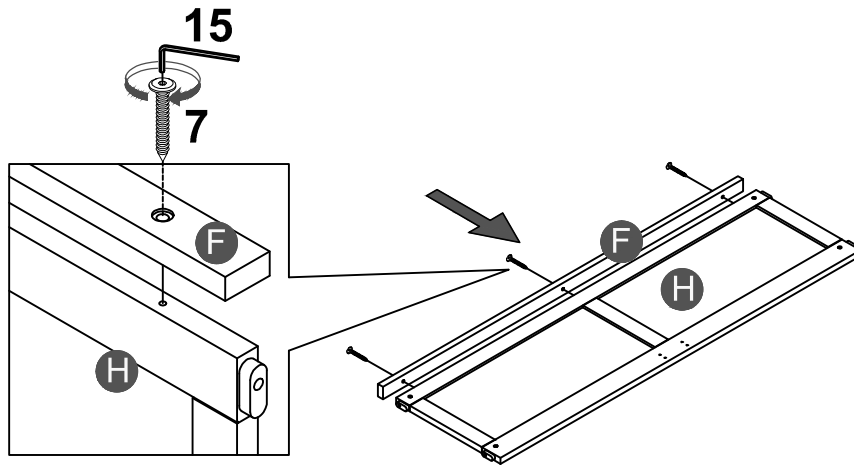


STEP 2:





STEP 3:

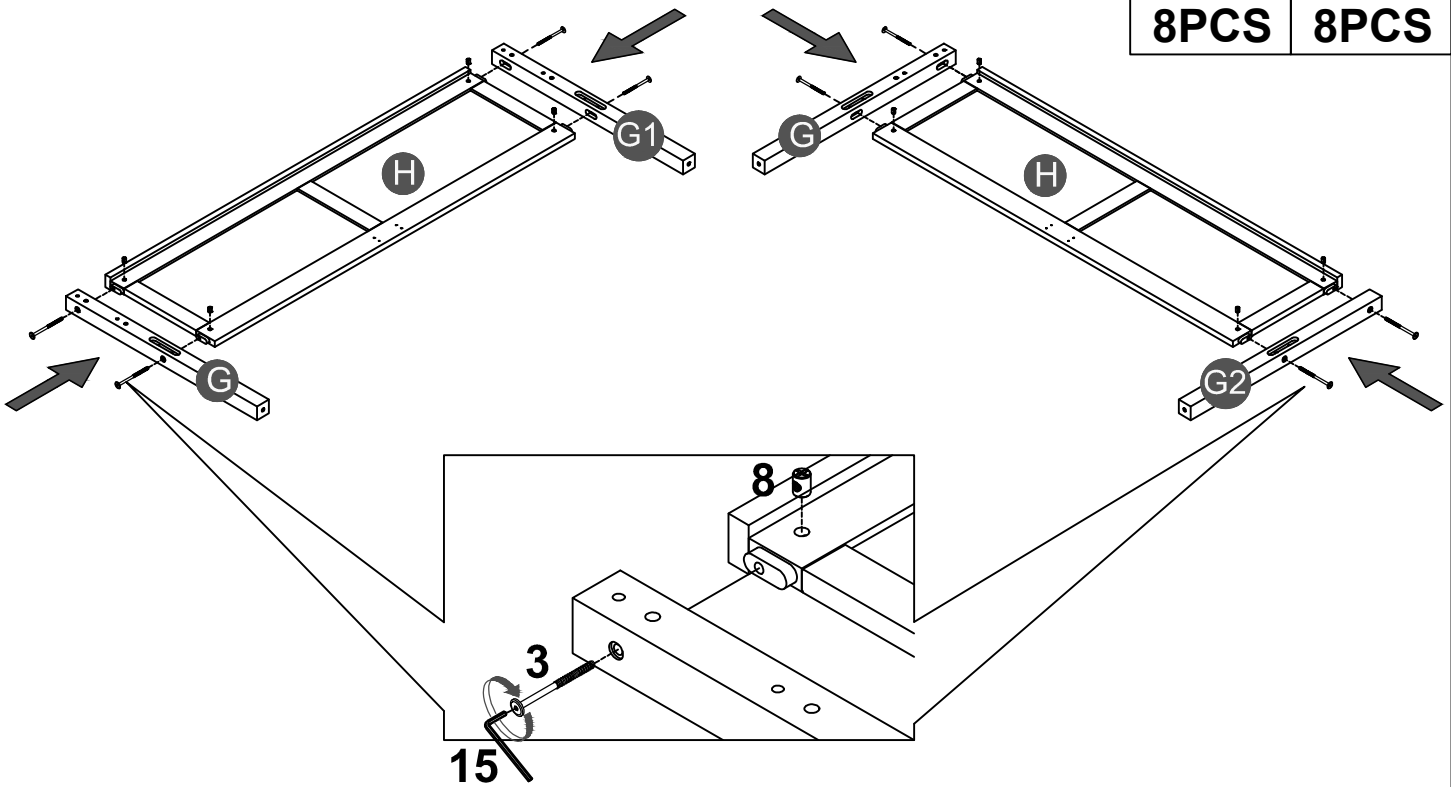
7	
6PCS	



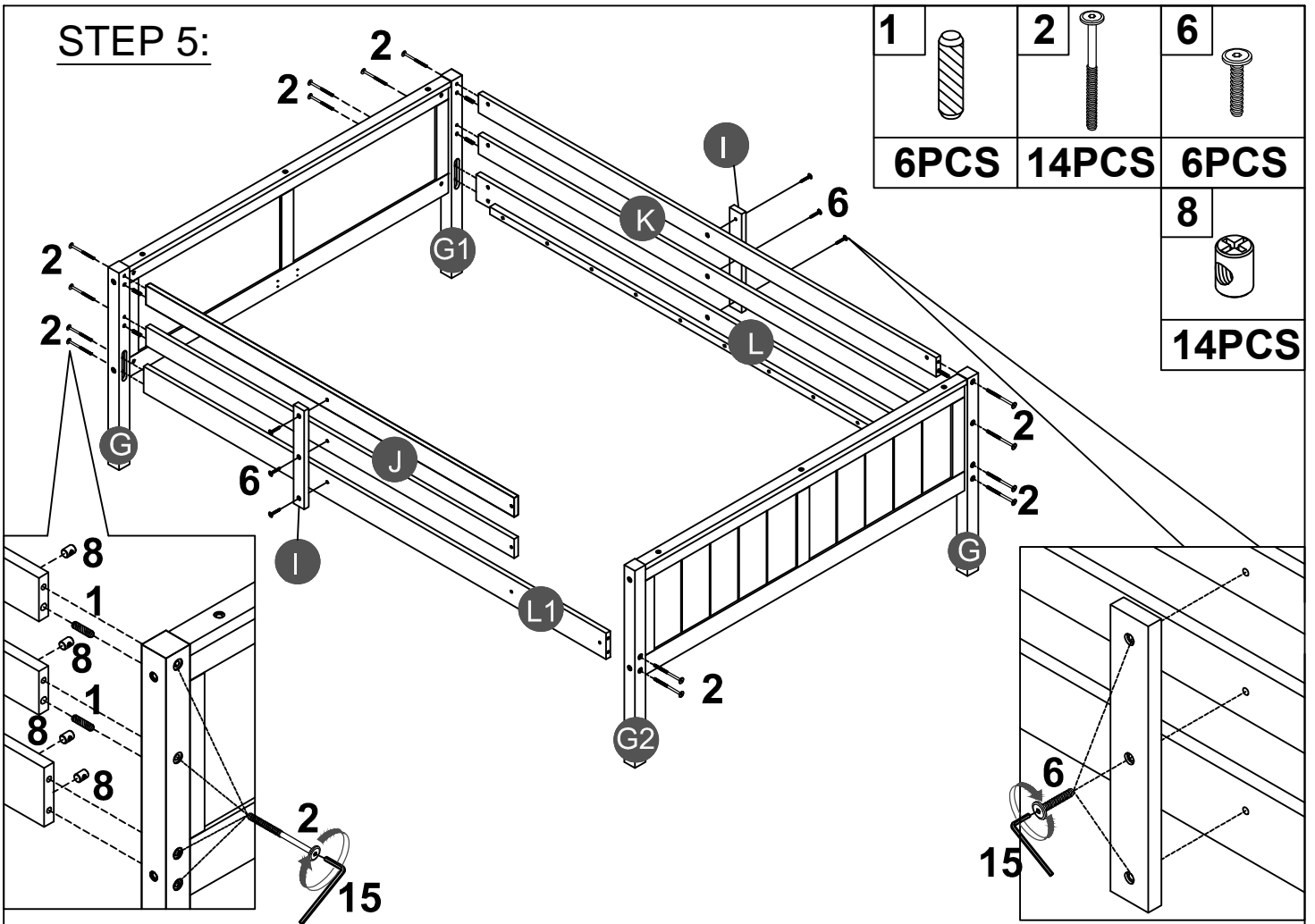
x 2

STEP 4:

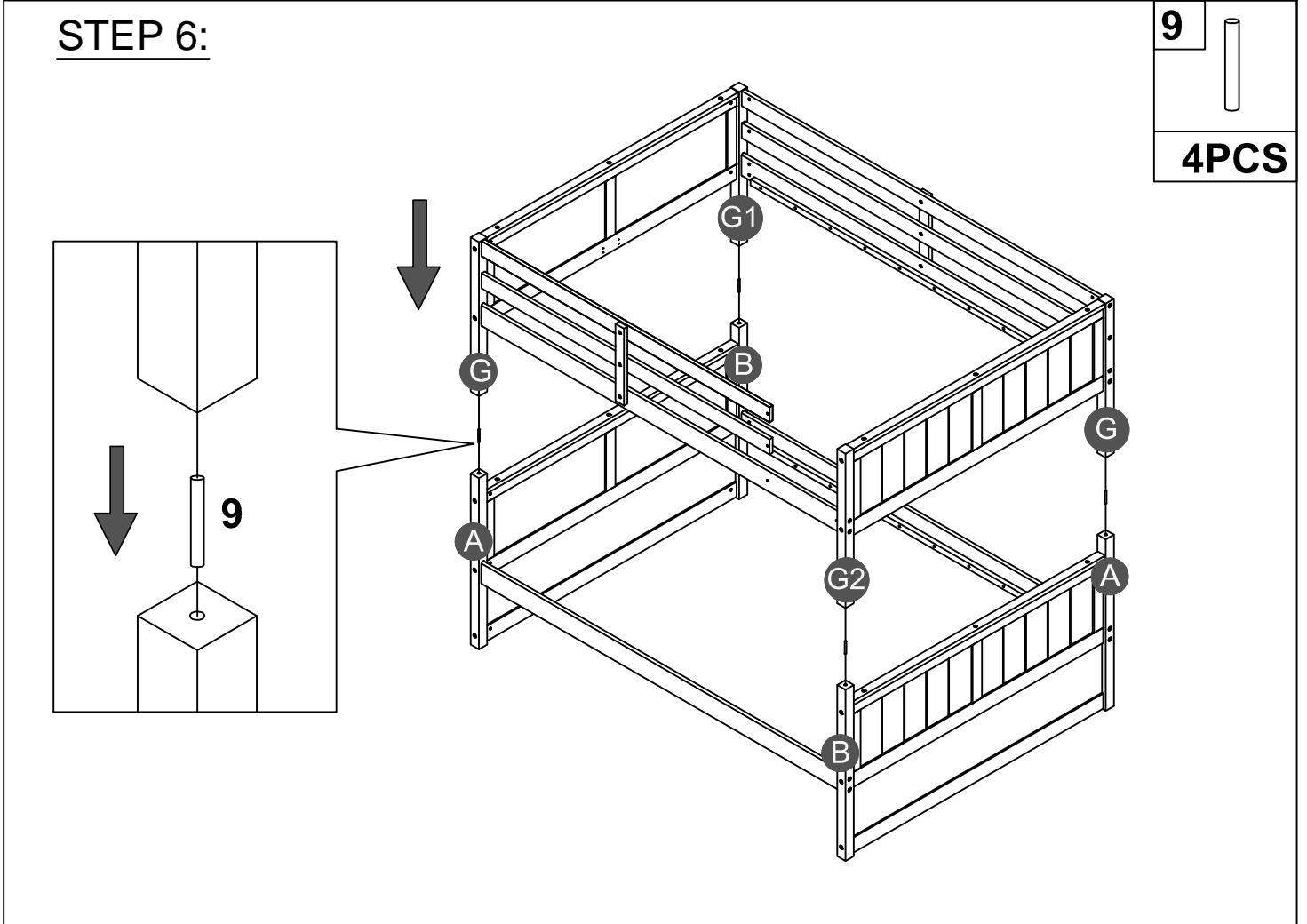
3		8	
8PCS		8PCS	



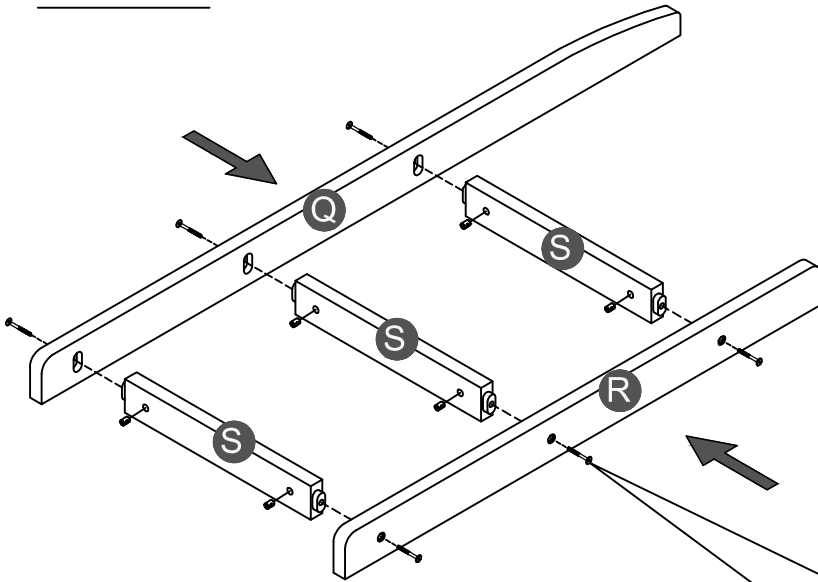
STEP 5:



STEP 6:

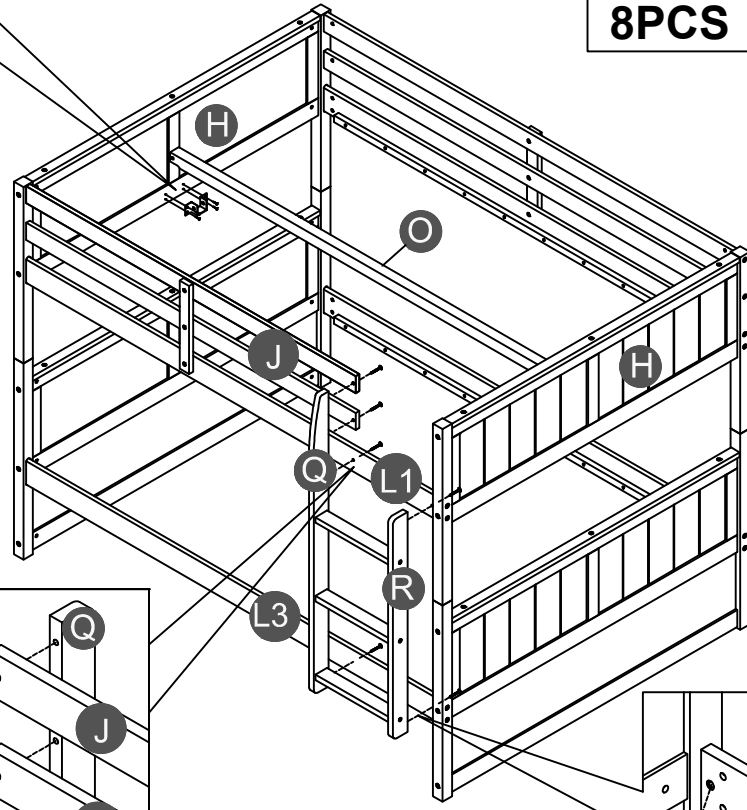
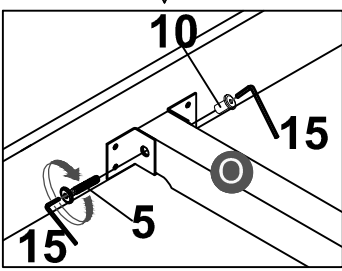
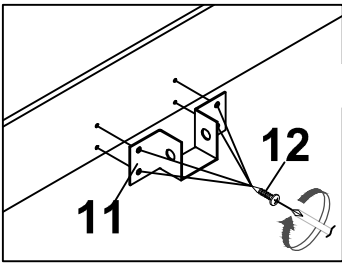


STEP 7:

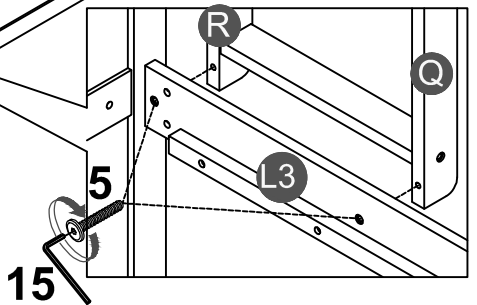
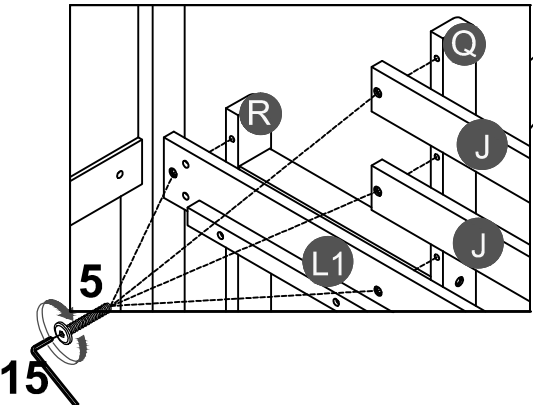


4		8	
6PCS		6PCS	

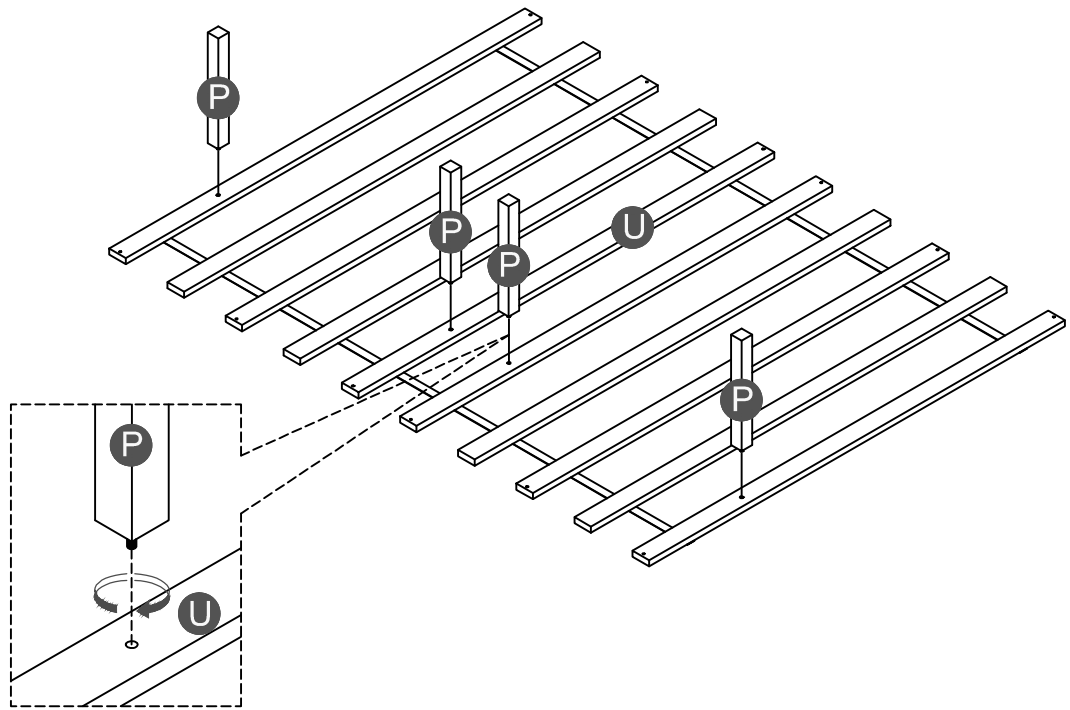
STEP 8:




5		10		11	
8PCS		2PCS		2PCS	
					12
					8PCS

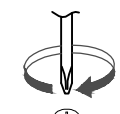


STEP 9:

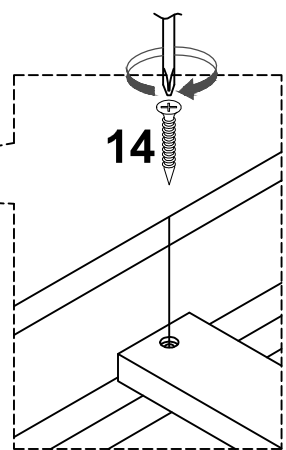
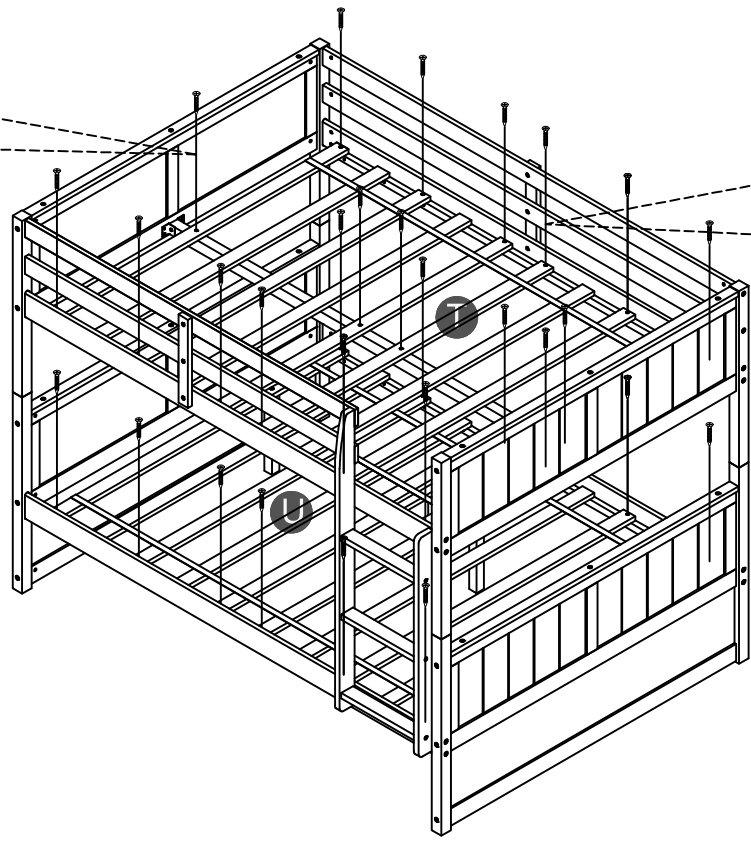
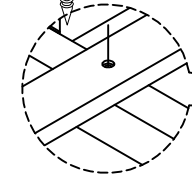


STEP 10:

14

28PCS

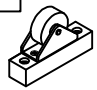
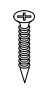


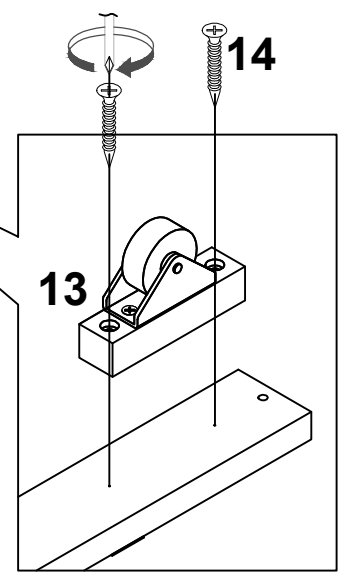
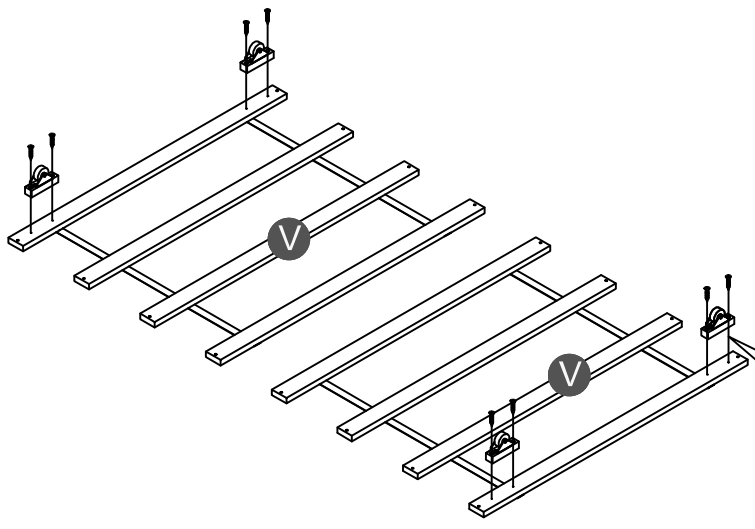
14




14

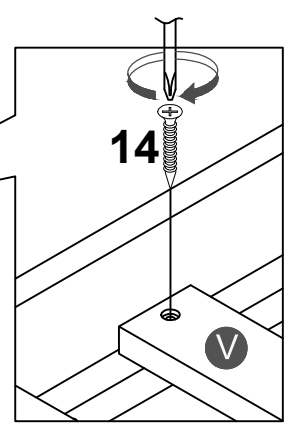
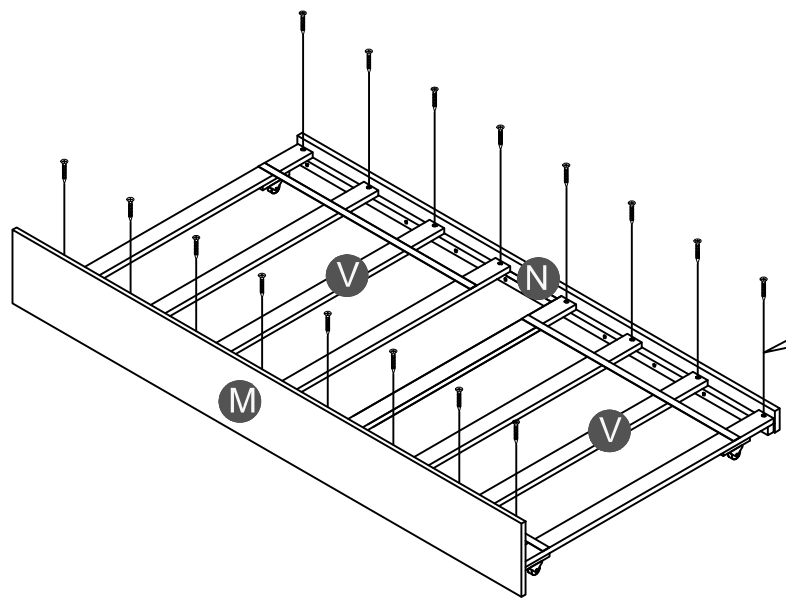
STEP 11:

13 	14 
4PCS	8PCS

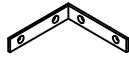



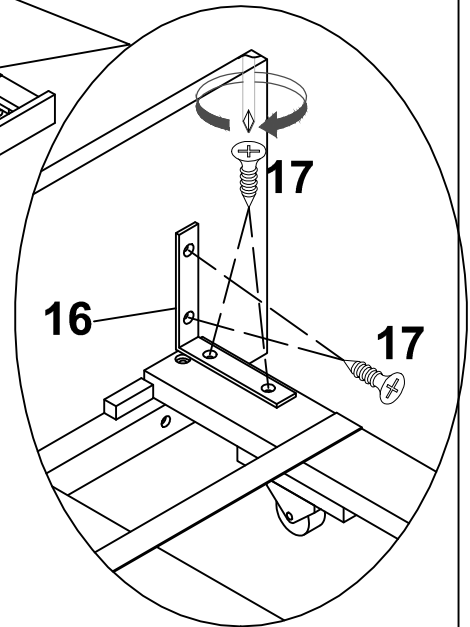
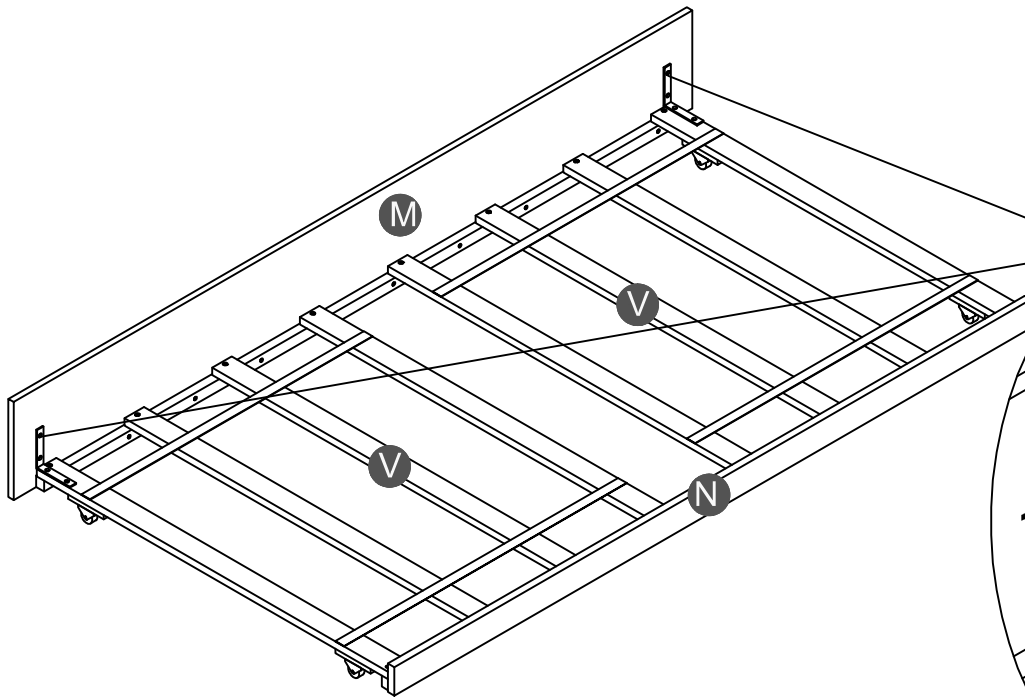
STEP 12:

14 
16PCS


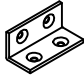


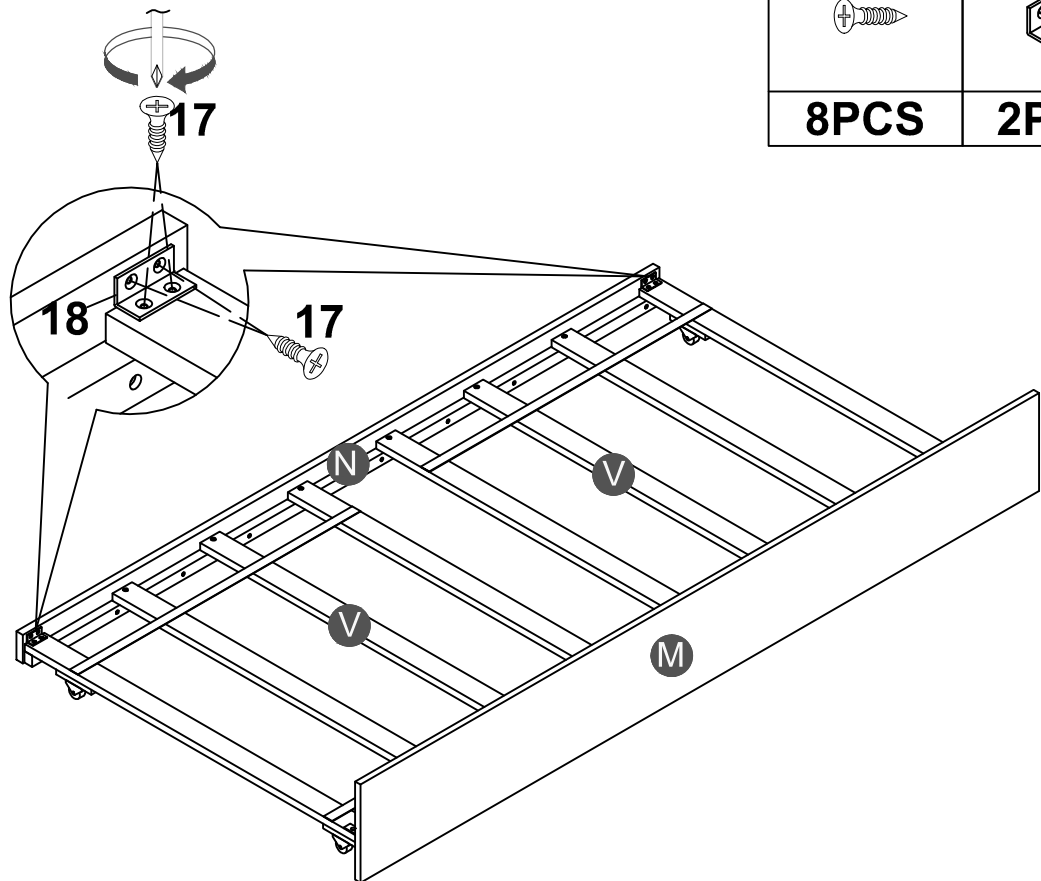
STEP 13:

16 	17 
2PCS	8PCS

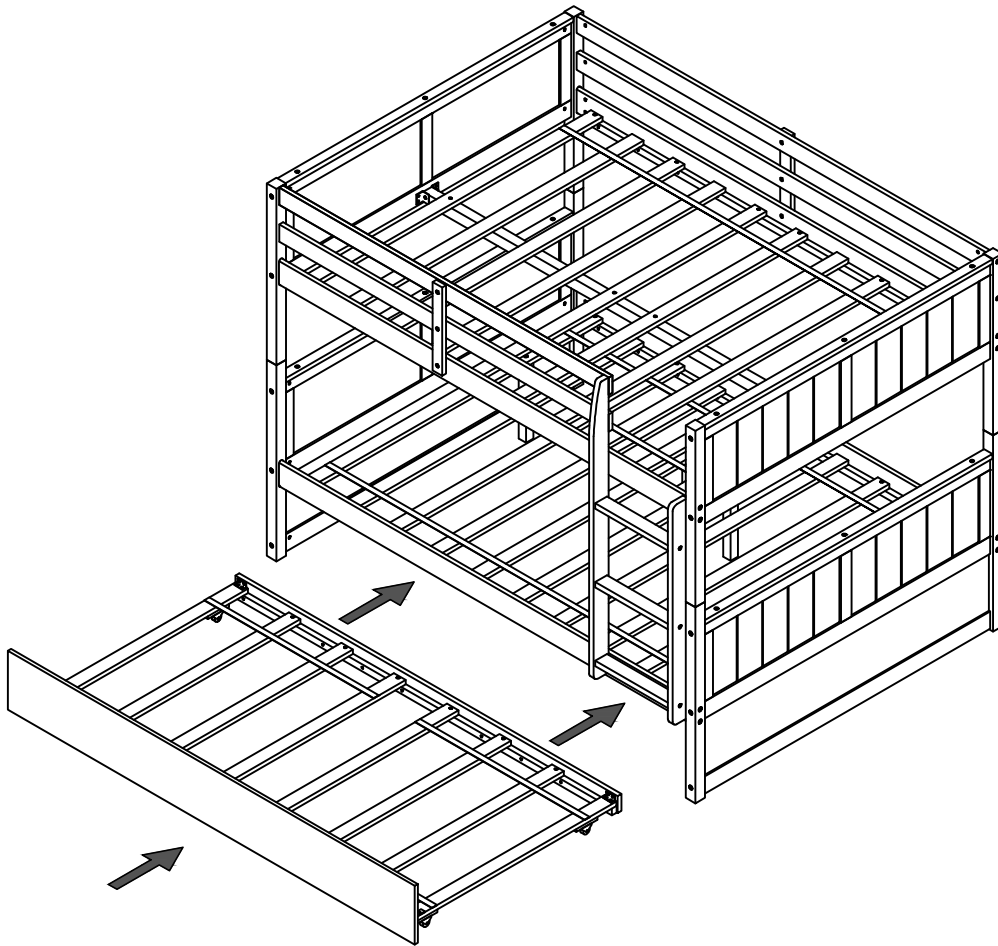


STEP 14:

17 	18 
8PCS	2PCS



STEP 15:



Push Trundle under the bottom of Bunkbed.

