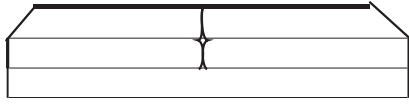
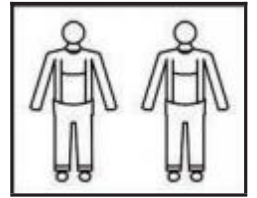
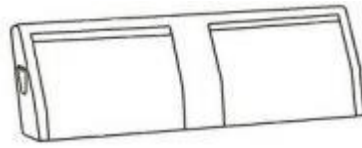


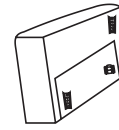
ASSEMBLY INSTRUCTION



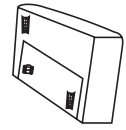
A*1



B*1



C*1LEFT



C*1RIGHT



D*2



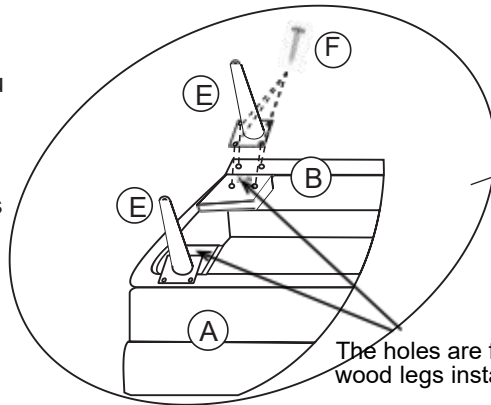
E*4



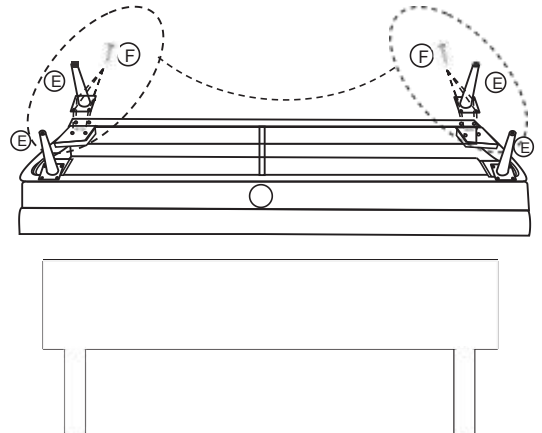
F*16

STEP 1 :

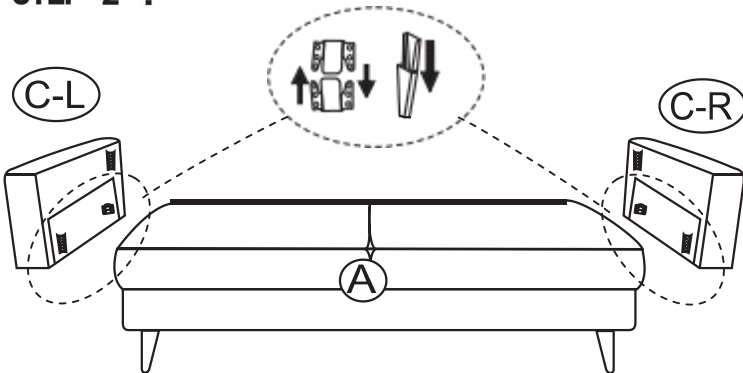
Before assembly, you need to prepare screwdriver or electric drill to install the screws of the sofa legs.



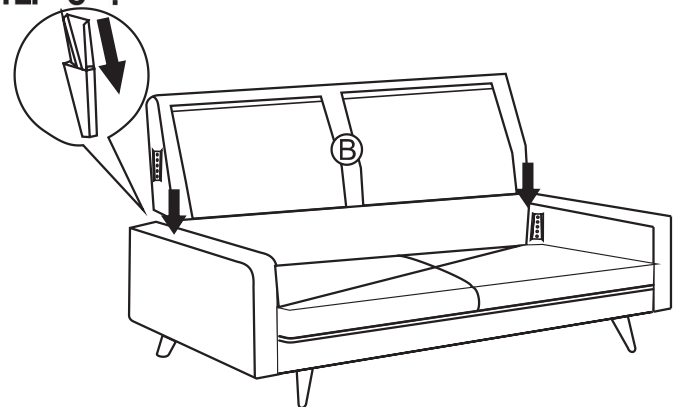
The holes are for wood legs installing only.



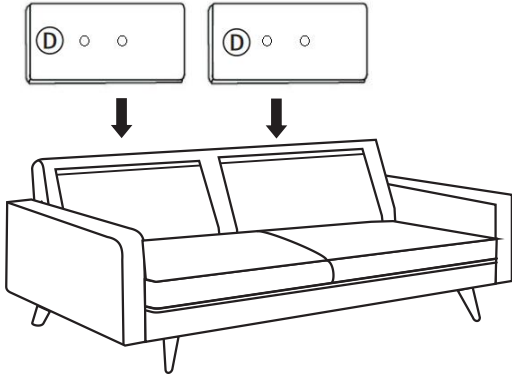
STEP 2 :



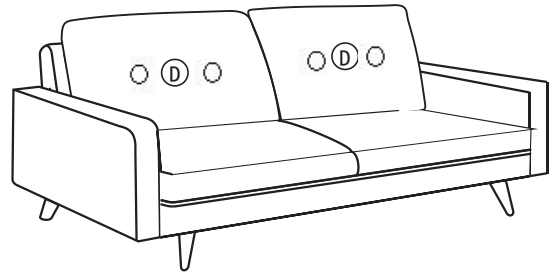
STEP 3 :



STEP 4 :

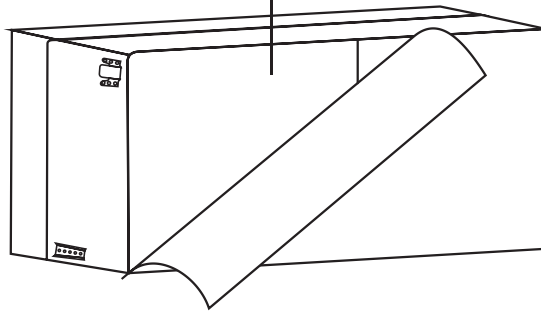


STEP 5 :



KINDLY REMINDER

D*2 、 E*4 、 F*16
PACKED IN LOVESEAT



GAREFULLY UNPACK AND PLACE THE LOVESEAT BODY(A) ON A CLEAN FLAT SURFACE TO SHOW THE BASE AS SHOWN.
UNPACK PARTS FROM THE STORAGE COMPARTMENT