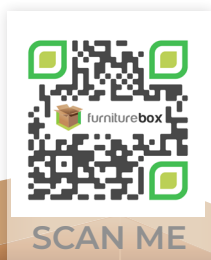
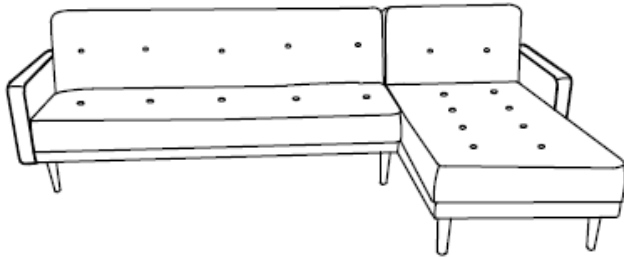


# OSCAR SOFA BED

## ASSEMBLY GUIDE



[www.furniturebox.co.uk](http://www.furniturebox.co.uk)

Scan QR code for more tips,  
advice and assembly video or visit  
[furniturebox.co.uk/club/oscar-sofabed](http://furniturebox.co.uk/club/oscar-sofabed)

**Important - Please read these instructions fully before starting assembly**



**SAFETY AND  
CARE ADVICE**



**NO POWER TOOLS**

**SAFETY AND CARE ADVICE**

- Check you have all the components and tools listed.
- Remove all fittings from the plastic bags and separate them into their groups.
- We do not recommend the use of power drills/drivers for inserting screws, as this could damage the unit. Only use hand screwdrivers and Allen keys.
- Keep children and animals away from the work area, small parts could cause choking if swallowed.
- Make sure you have enough space to layout the parts before starting.
- Assemble the item as close to its final position (in the same room) as possible.
- Do not overtighten the nuts to avoid causing damage to the threads.
- Only clean using a damp cloth and mild detergent, do not use bleach or abrasive cleaners.
- From time to time check that there are no loose screws on this unit
- This product should not be discarded with household waste. Take to your local authority waste disposal centre



## IMPORTANT INFORMATION



30 MINUTE  
BUILD














ONE  
PERSON



MAXIMUM  
CAPACITY  
250Kg

PLEASE CHECK CAREFULLY AND MAKE SURE YOU HAVE ALL FITTINGS AND TOOLS LISTED BELOW BEFORE YOU START.

P3	A:  4PCS	B:  1PCS	C:  16PCS	D:  1PCS
P4	A:  4PCS	B:  1PCS	C:  16PCS	D:  1PCS
	E:  2PCS	F:  2PCS	G:  4PCS	

**NOTE:** The quantities above are the correct amount to complete the assembly. In some cases more fittings may be supplied than are required.

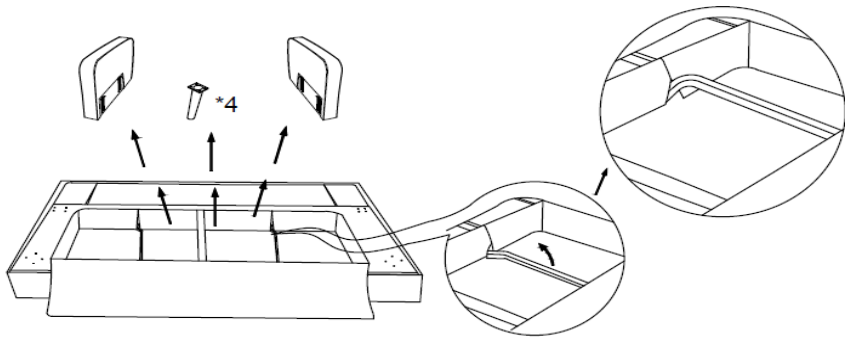
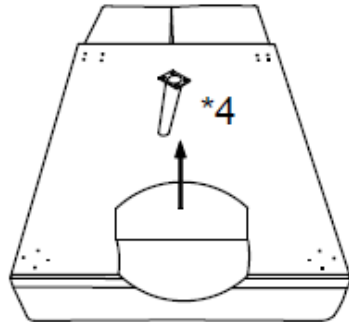
## Leg Assembly

### STEP 1

Use a clean, flat, soft surface to avoid any bumps or scratches.

**NOTE: We recommend you assemble your sofa bed as close to its final location as possible.**

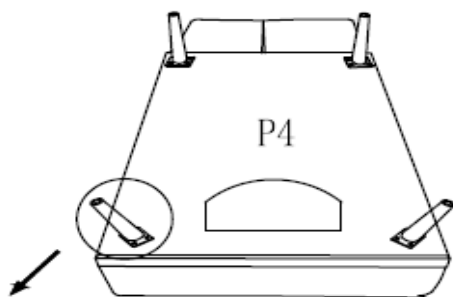
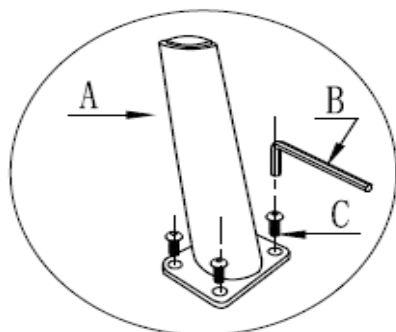
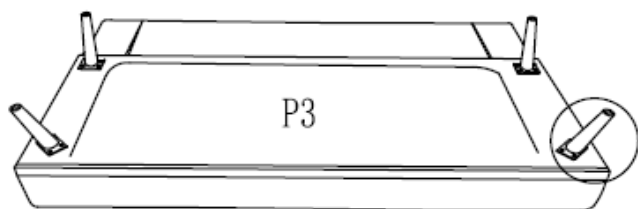
Remove components from the compartments on underside of chaise and sofa.



## STEP 2

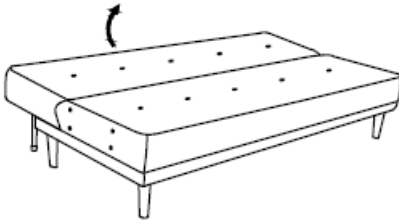
Attach the 4x legs [A] to the sofa base [P3] and 4x legs [A] to the chaise base [P4].

Align the pre-drilled holes.  
Use 4x bolts [C] per leg and tighten with Allen key [C].

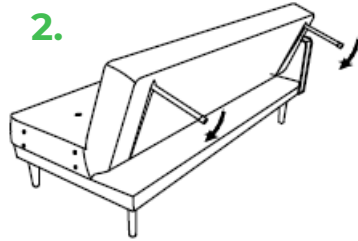


## Sofa Position Assembly

1.



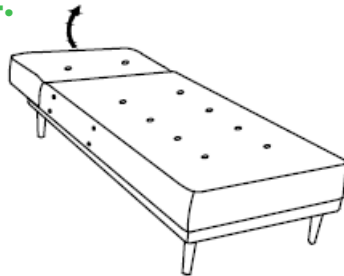
2.



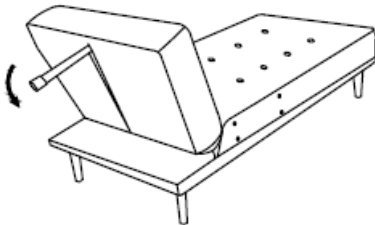
3.



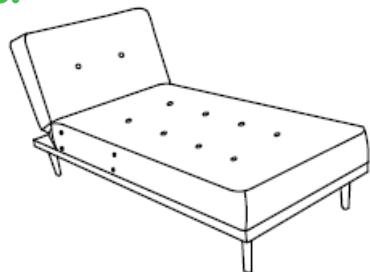
4.



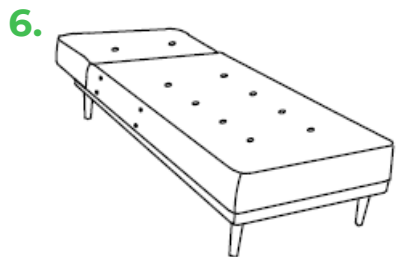
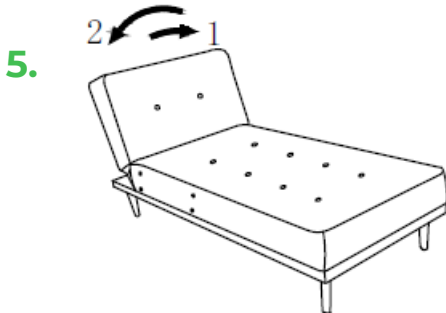
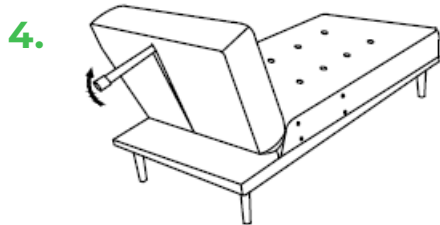
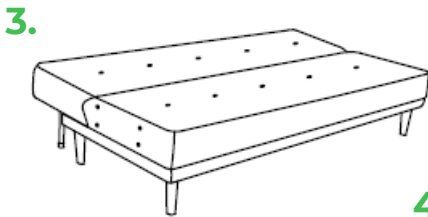
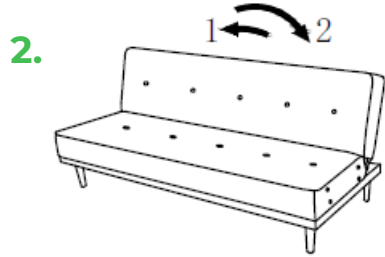
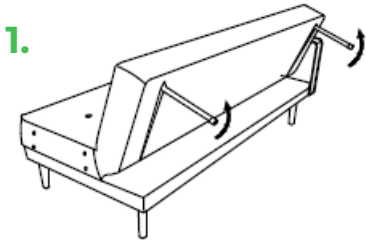
5.



6.



## Bed Position Assembly



**NOTE:** The chaise section can be arranged on either the left or right side of the sofa.

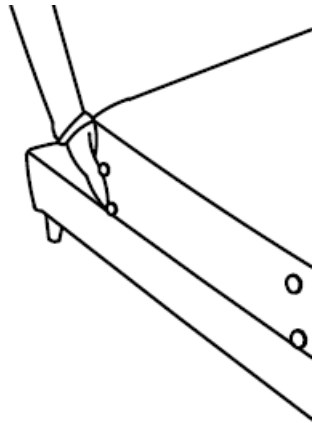
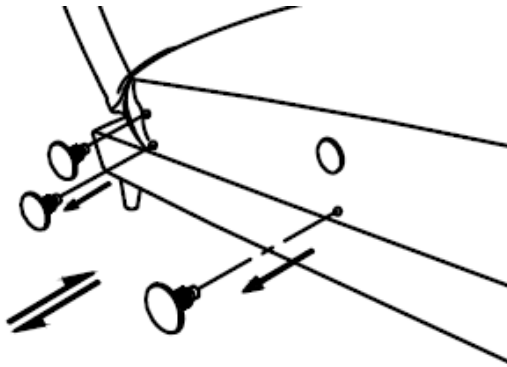


furniturebox

## Armrest Assembly

### STEP 1

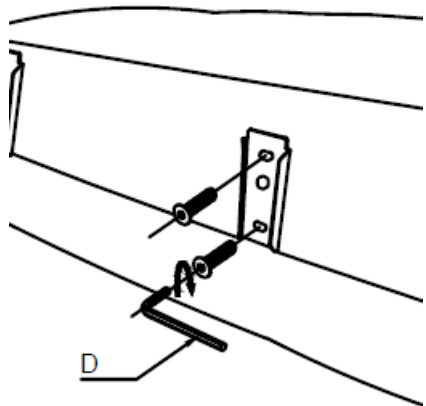
Locate the 4 plastic caps on the side of the sofa/chaise and remove to reveal pre-drilled holes.



### STEP 2

Locate the pre-attached 2x armrest sliders on the sofa/chaise sides.

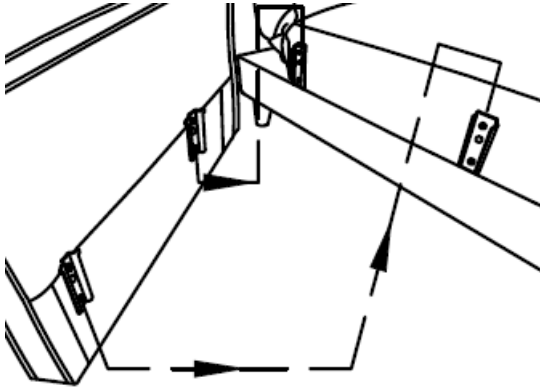
If you want to move the armrest to the opposite side of the chaise, you'll need to unscrew and move the brackets. Remove the 2x plastic caps on the side you wish to attach your armrest, screw the bracket back into these holes and insert the plastic caps into the now-empty holes where you removed the bracket.



Follow us on Instagram  
@furniturebox\_uk

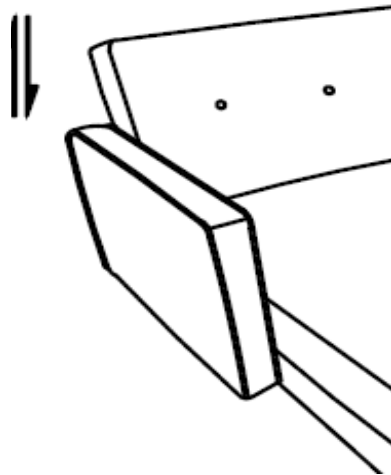
### STEP 3

The corresponding brackets on the armrests will slot in and click into place.



### STEP 4

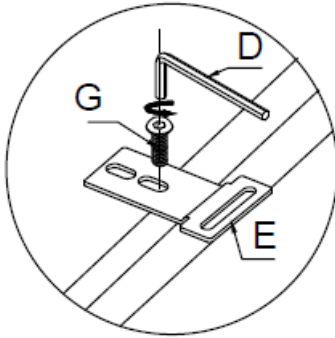
Your armrests can then be removed as required.



## Chaise Rotation Assembly

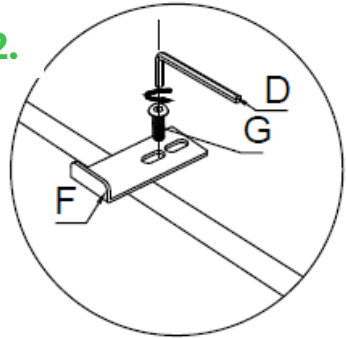
**NOTE:** The chaise section can be arranged on either the left or right side of the sofa. To attach the chaise to your preferred sofa side:

1.



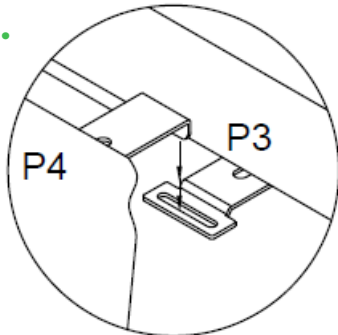
Attach bracket [E] to your sofa [P3] using 2x bolts [G]

2.



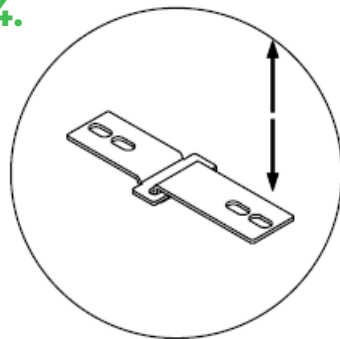
Attach bracket [F] to your chaise [P4] using 2x bolts [G]

3.

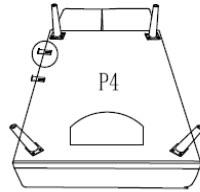
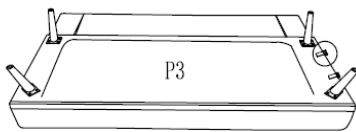


The chaise [P4] will now slot into the bracket on the sofa [P3] to secure them together.

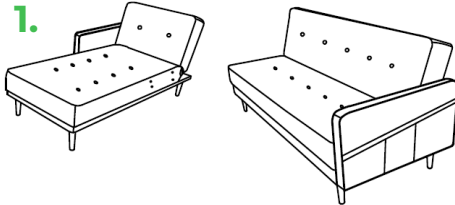
4.



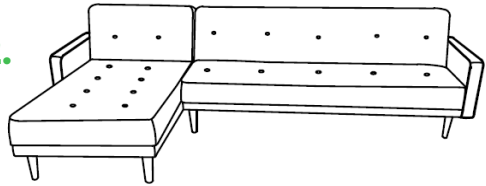
## Left Chaise Rotation



1.

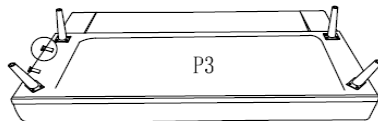
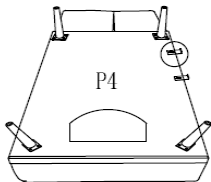


2.

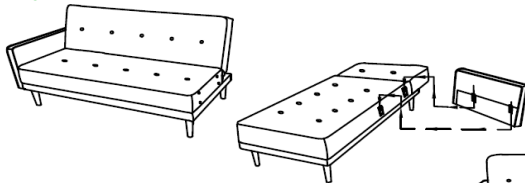


OR

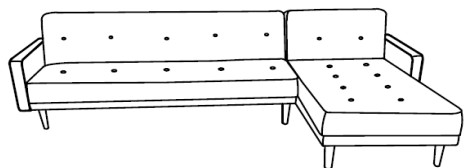
## Right Chaise Rotation



1.



2.

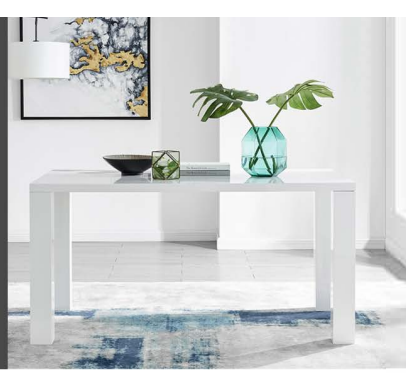




## OUR 2 YEAR\* GUARANTEE

our products come with a 2 year guarantee to give you peace of mind shopping at Furniturebox

\*excludes some garden furniture items which have a 1 year guarantee



## WHAT THE GUARANTEE COVERS



### PRE-INSERTED FIXINGS

e.g. lose metal threads



### FAULTY JOINTS

e.g. legs bending



### EXTERNAL FIXING FAULTS

e.g. bonding/glue



### STRUCTURAL INTEGRITY

e.g. the frame of the product



## ACTIVATE YOUR GUARANTEE ONLINE

scan this QR code with your phone to read the full guarantee online and register your product. It only takes a moment to fill out. Or visit: [furniturebox.co.uk/our-guarantee](https://furniturebox.co.uk/our-guarantee)



Furniturebox UK, Unit 6, St Modwen's Park,  
Chippenham, SN15 5BD  
Tel: 01747 863333 Email: [sales@furniturebox.co.uk](mailto:sales@furniturebox.co.uk)