





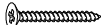

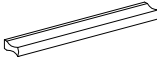


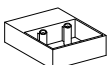
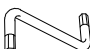


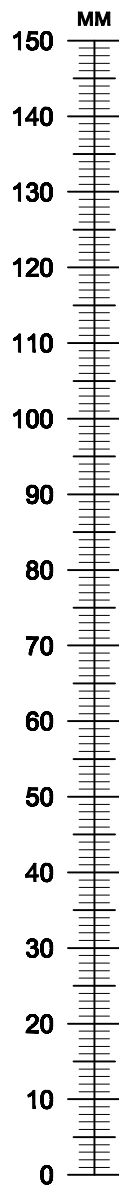
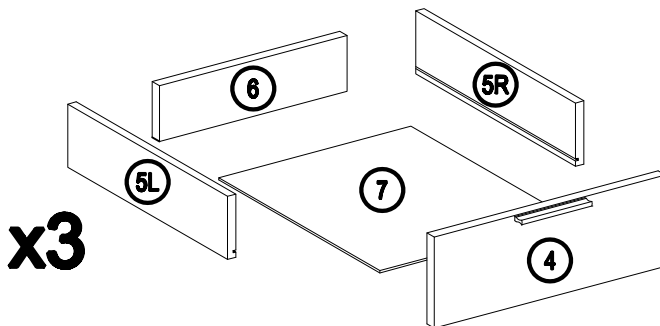
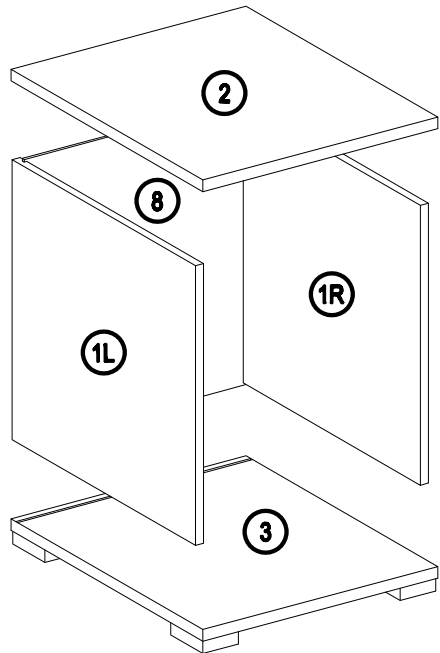


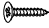

 A1 8*30mm x32	 B x6
 B1 7*50mm x10	 C1 5*30mm x10
 D x10	 D1 15*13mm x10
 E3 3,5*16mm x34	 E12 3,5*35mm x8
 G4 2,5*25mm x6	 I2 x3
 H2 x4	 M1 350mm x3
 K4 x4	 R4 x1
  R3 1.6*16mm 0.01kg	

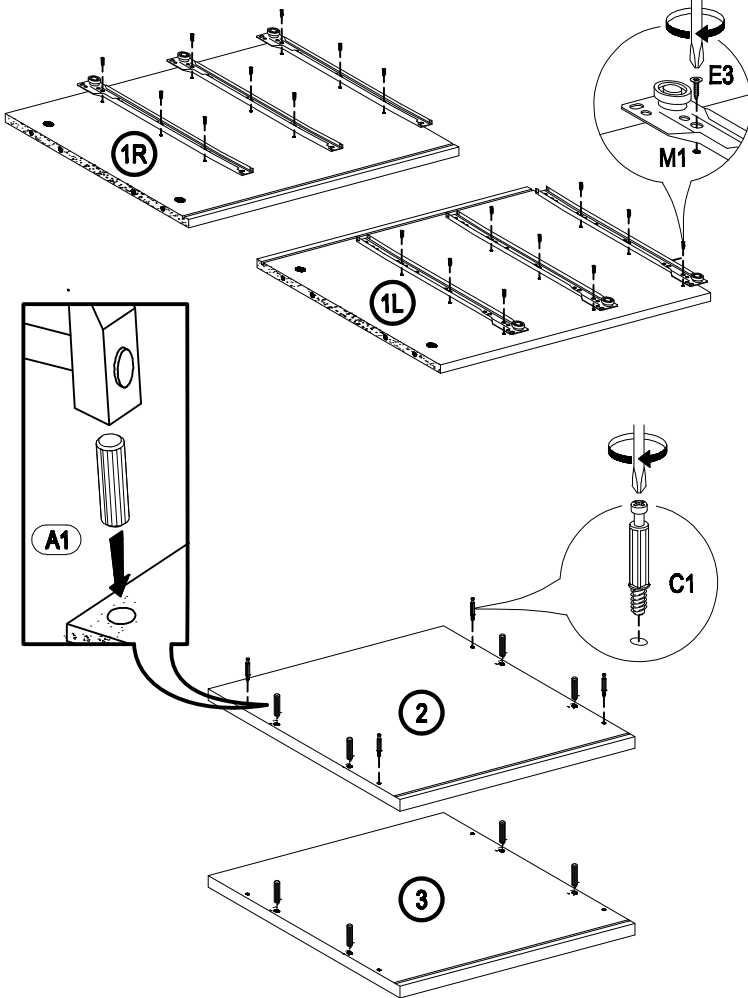


№	a*b	x
1L,1R	531x402	2
2	462x420	1
3	462x420	1
4	454x173	3
5L,5R	350x120	6
6	368x106	3
7	353x377	3
8	540x435	1





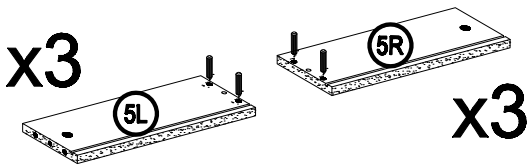
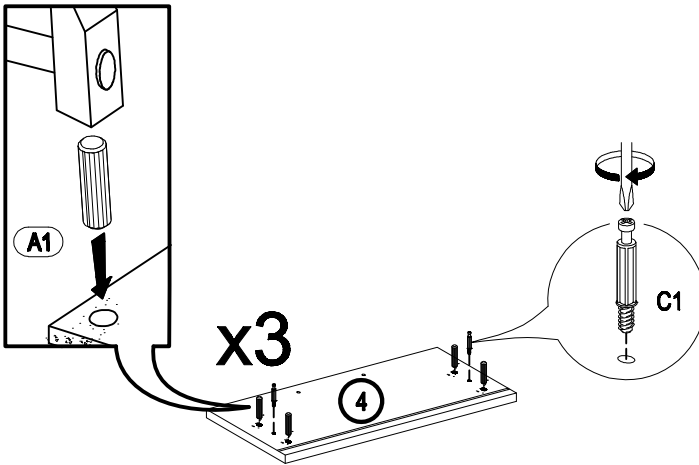
1

 A1 8*30mm x8	 C1 5*30mm x4	 E3 3,5*16mm x18
 M1 350mm x3		







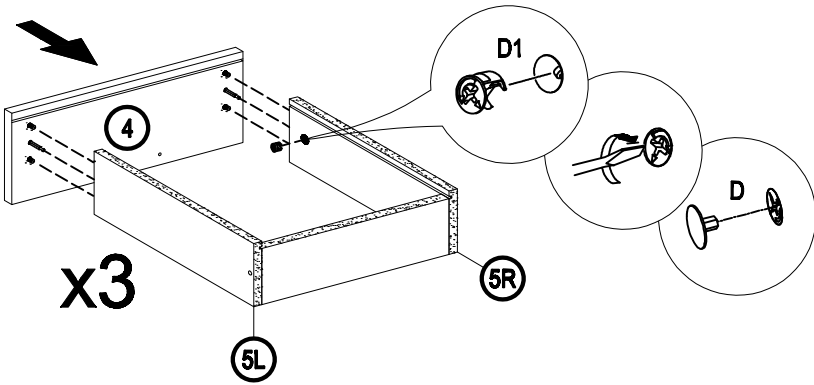
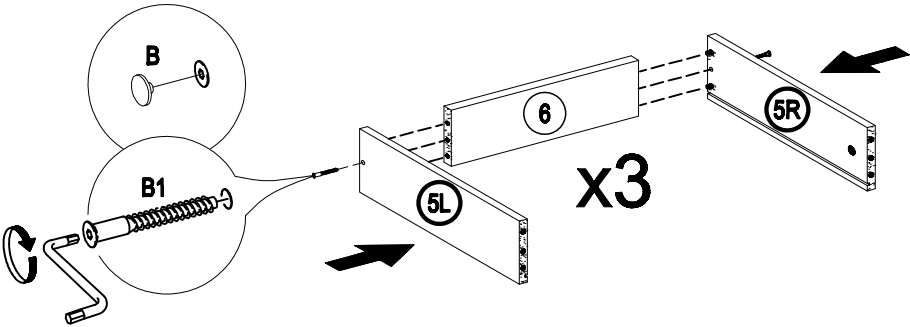
2

 A1 8*30mm x24	 C1 5*30mm x6
--	---

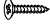
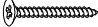
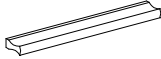




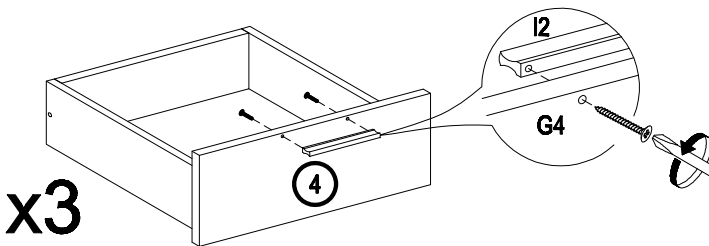
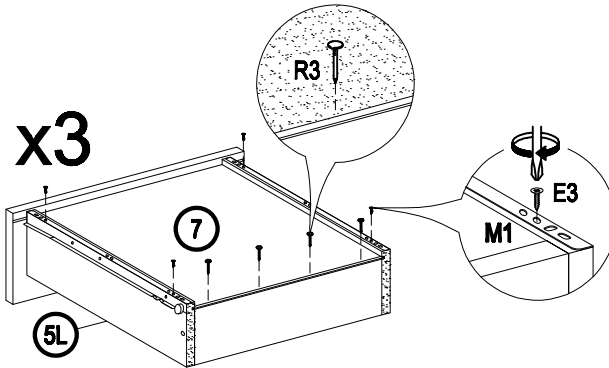
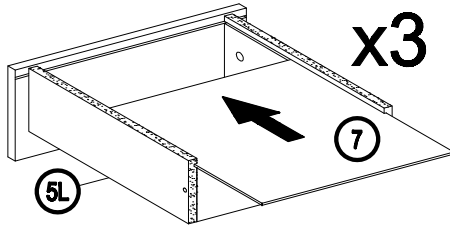
3

 B	x6	 B1 7*50mm	x6	 D	x6
				 D1 15*13mm	x6





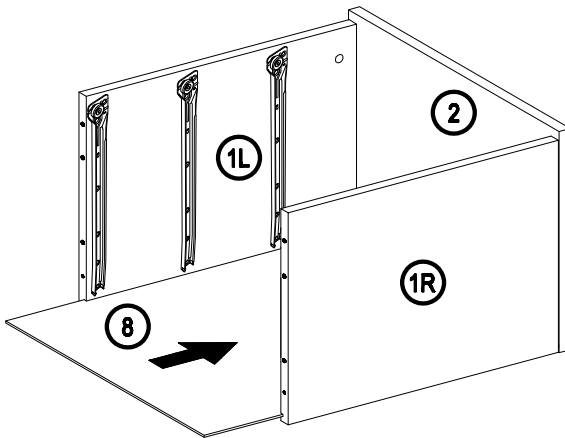
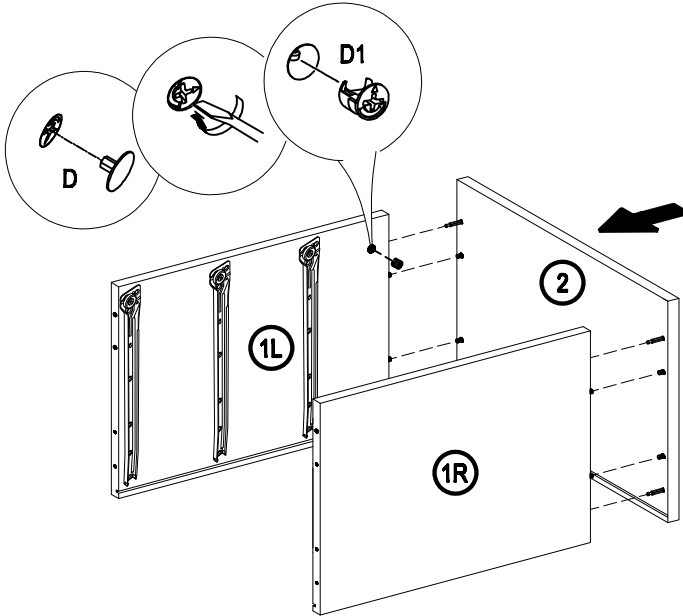
4

 E3 3,5*16mm x12	 G4 2,5*25mm x6	 I2 x3
 M1 350mm x3		 R3 1.6*16mm 0.01kg

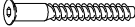
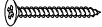
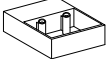


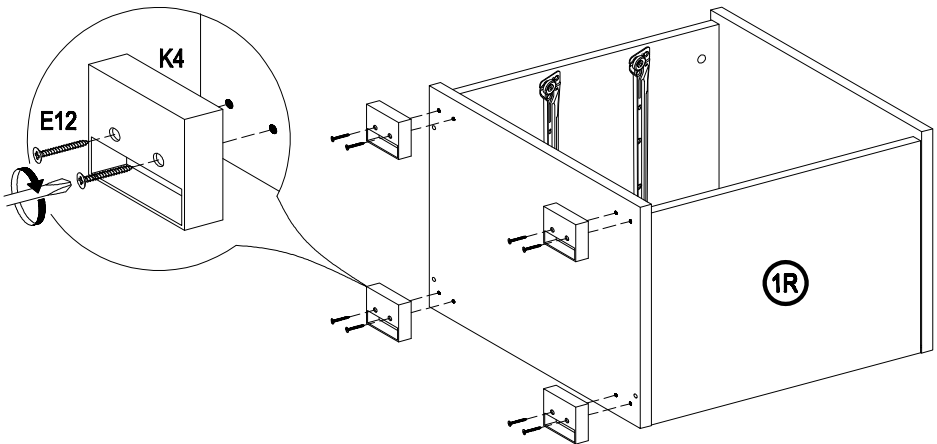
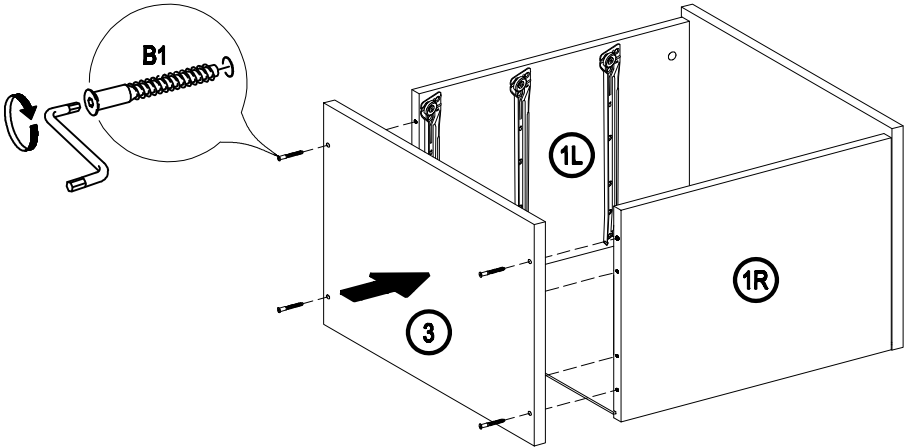
5

	
D	D1
x4	15*13mm x4



6

 B1 7*50mm x4	 E12 3,5*35mm x8	 K4 x4
---	--	--



7

