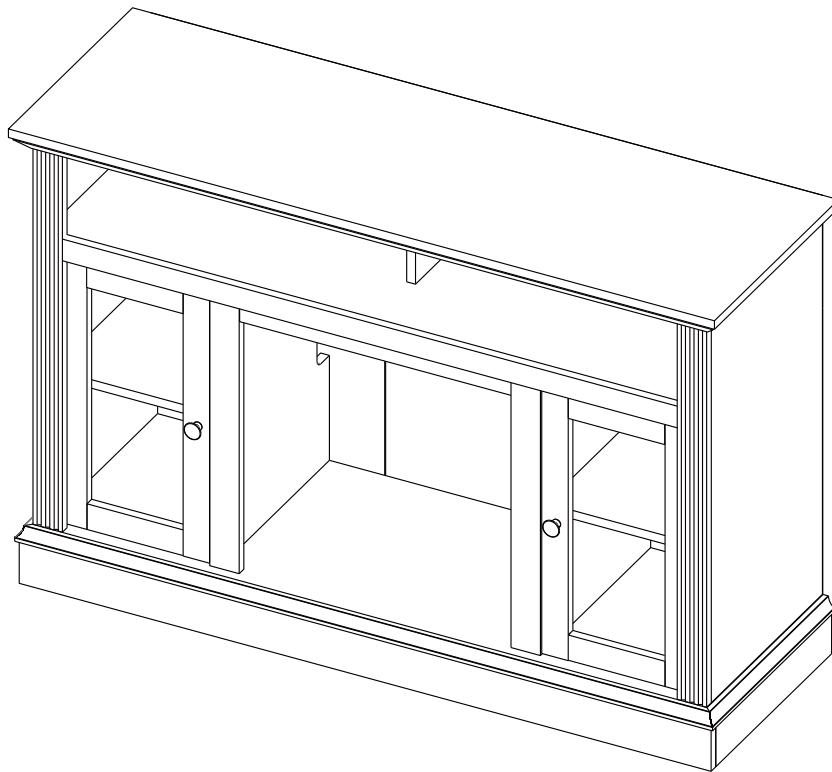
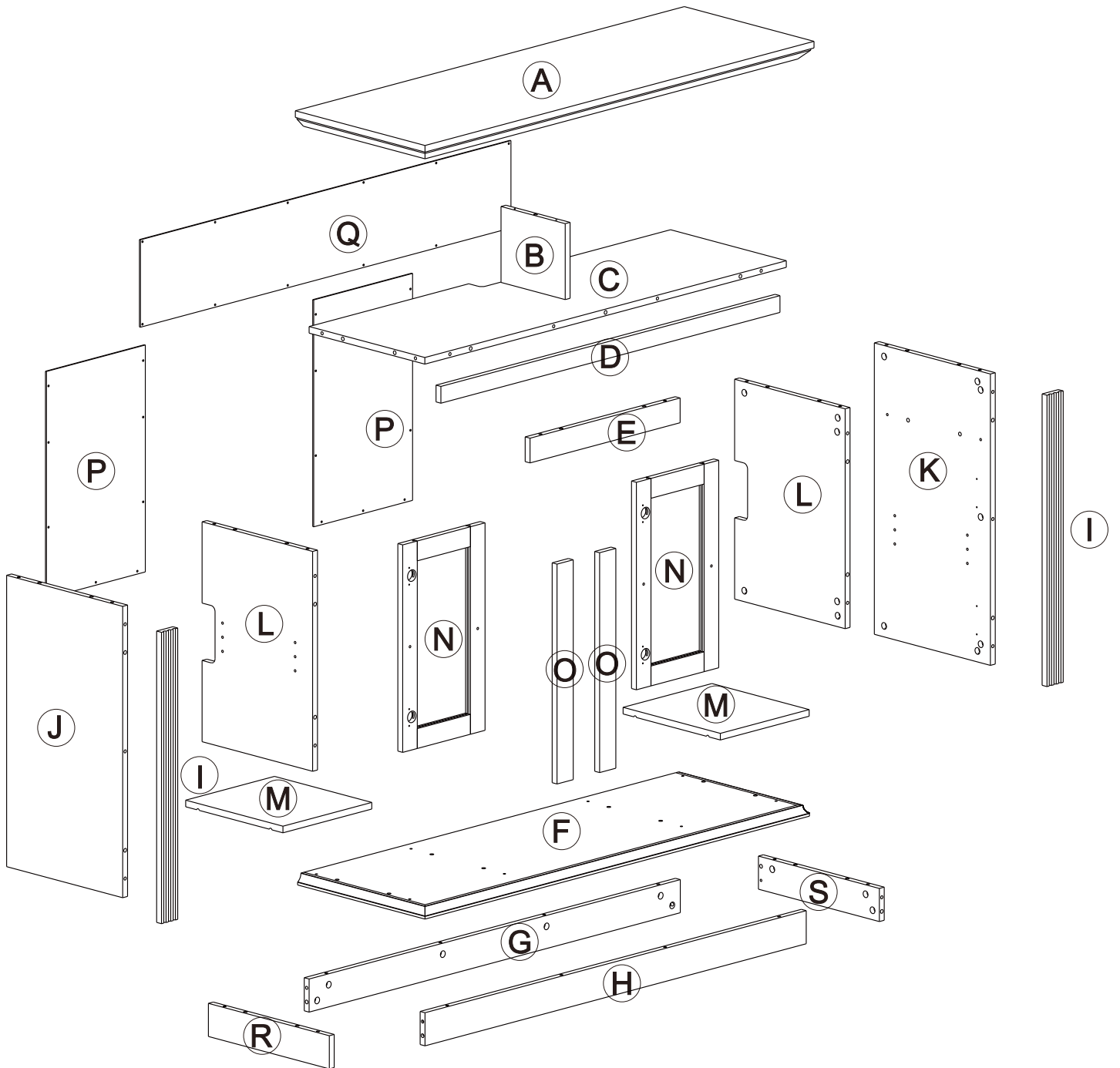


# FIREPLACE MANTEL


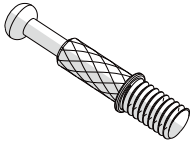
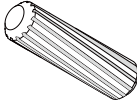

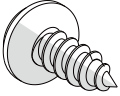
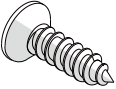


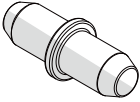
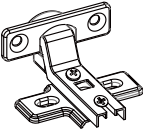

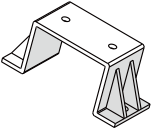
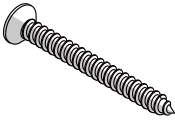
## ASSEMBLY INSTRUCTIONS



# PARTS LIST

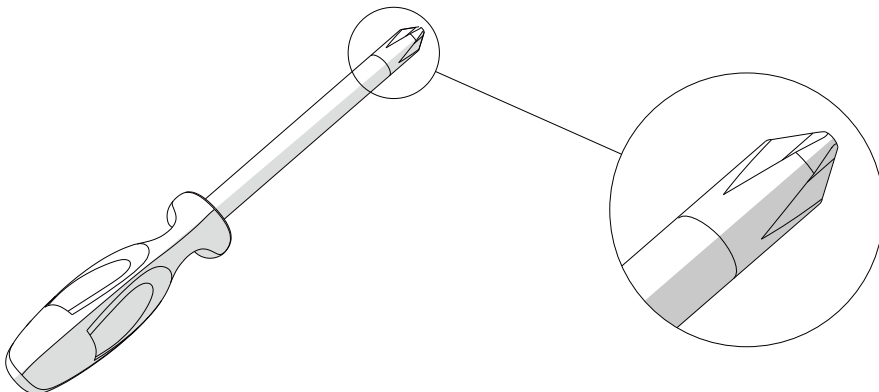


# ACCESSORIES

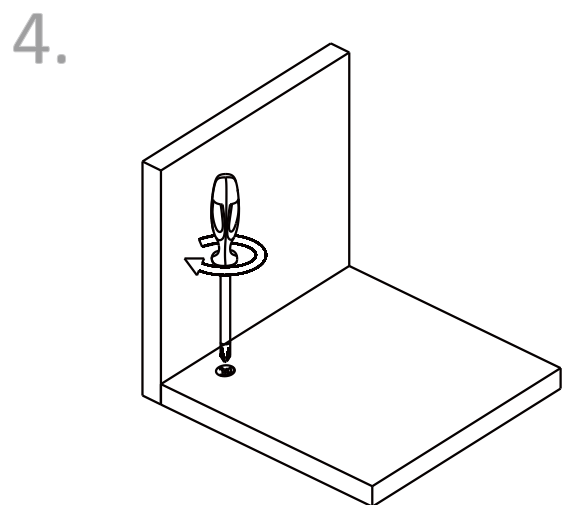
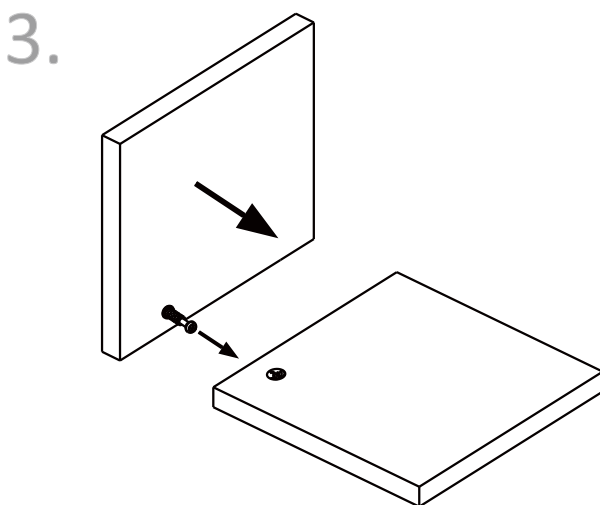
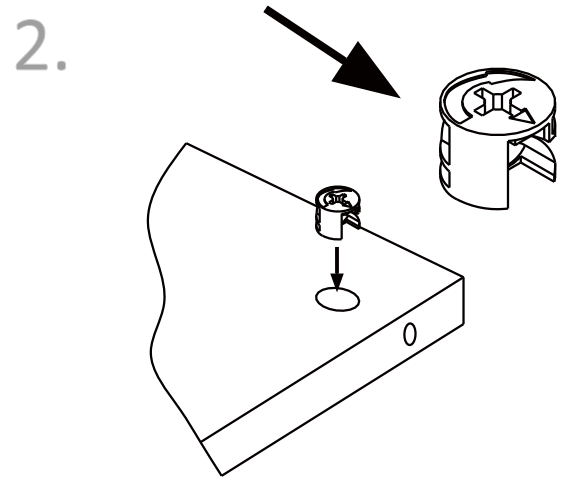
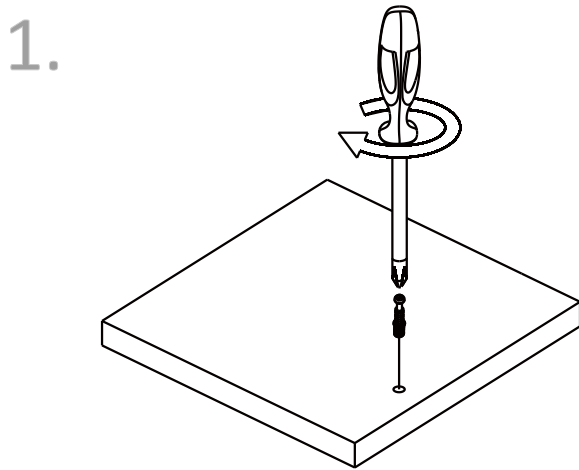
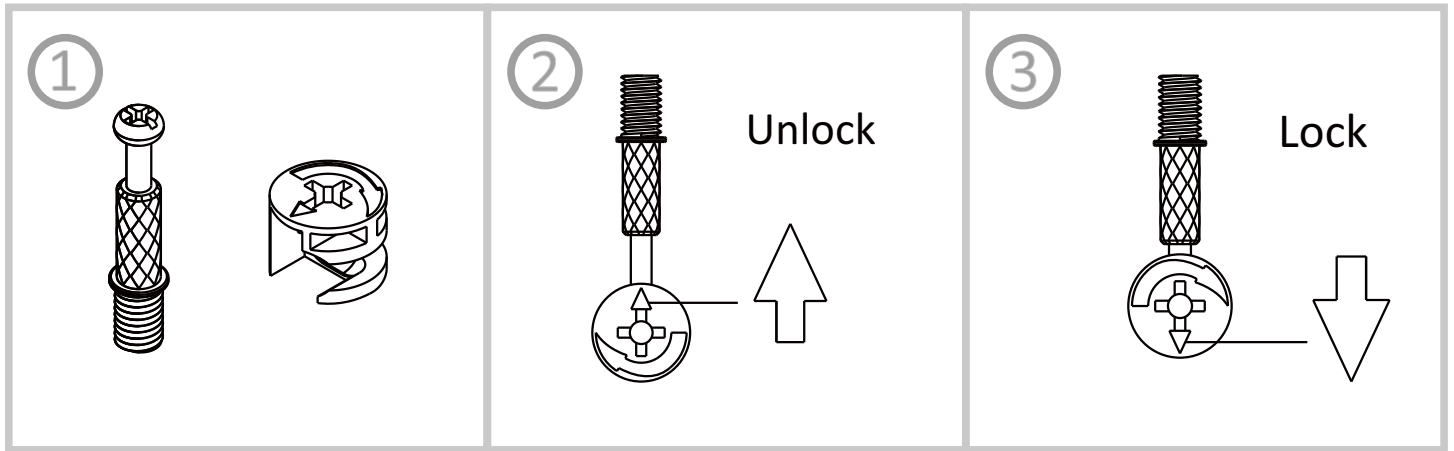
			
cam lock X54+1	cam bolt X54+1	wood dowel X43+1	screw ST3x16 X30+1
			
screw ST4x14 X8+1	screw ST4x14 X8+1	screw M4x18 X2+1	screw M5x10 X8+1
			
pin X8+1	hinge X4	handle X2	fixing bracket X4
			
screw ST4x40 X2+1			

# TOOLS REQUIRED

A screwdriver will be needed.



# CAM LOCK FASTENING SYSTEM

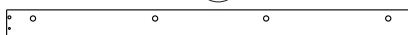
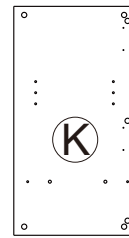
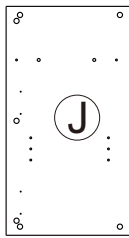
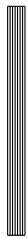
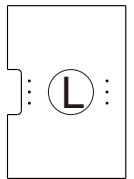
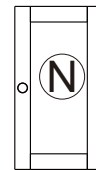
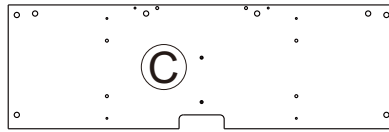
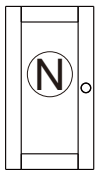
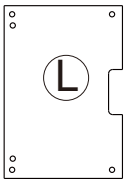
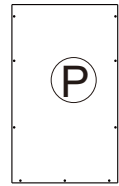
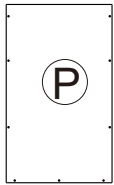
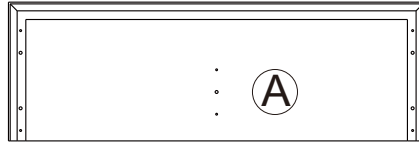


This cam lock fastening system will be used throughout the assembly process.

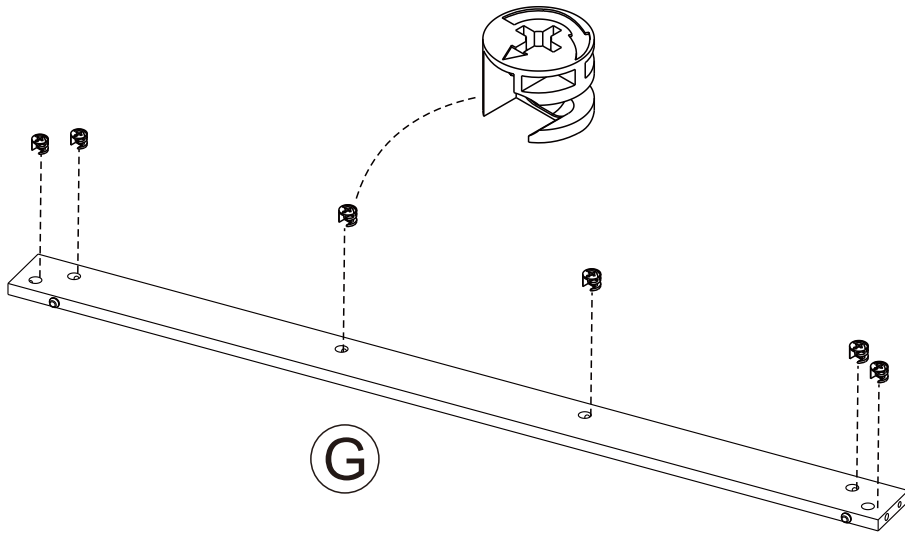
# ASSEMBLY INSTRUCTIONS

## STEP 1

Take out all the parts, as shown on the floor. Please pay attention to protect the board surface.



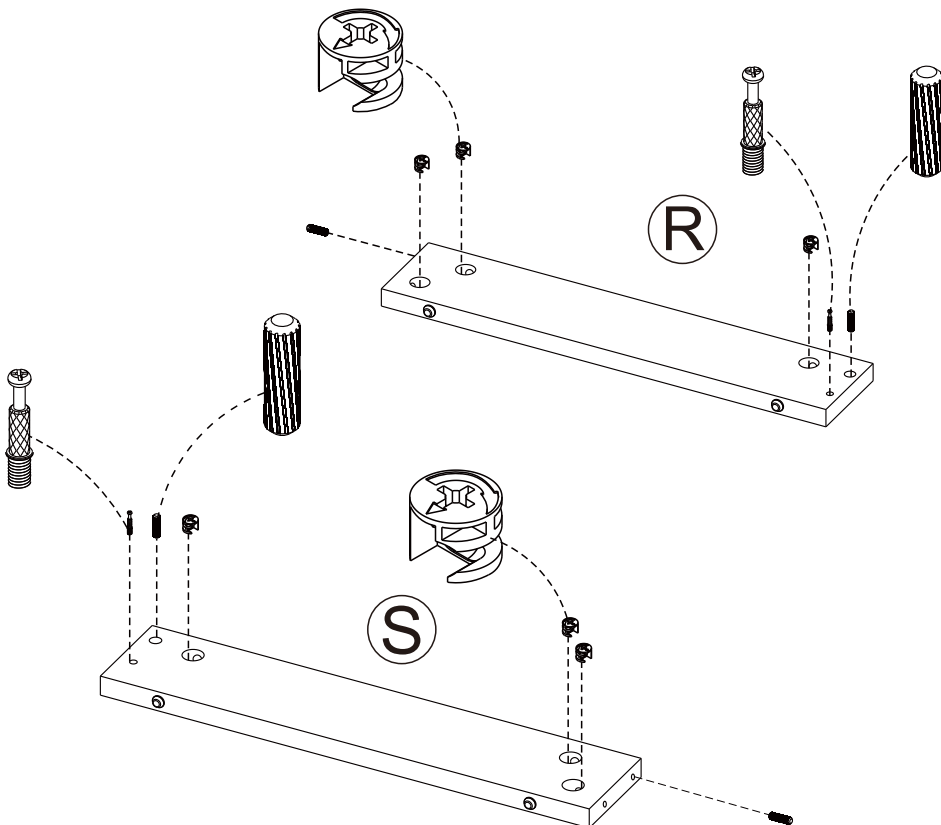
# STEP 2



cam lock

X6

# STEP 3



cam lock

X6

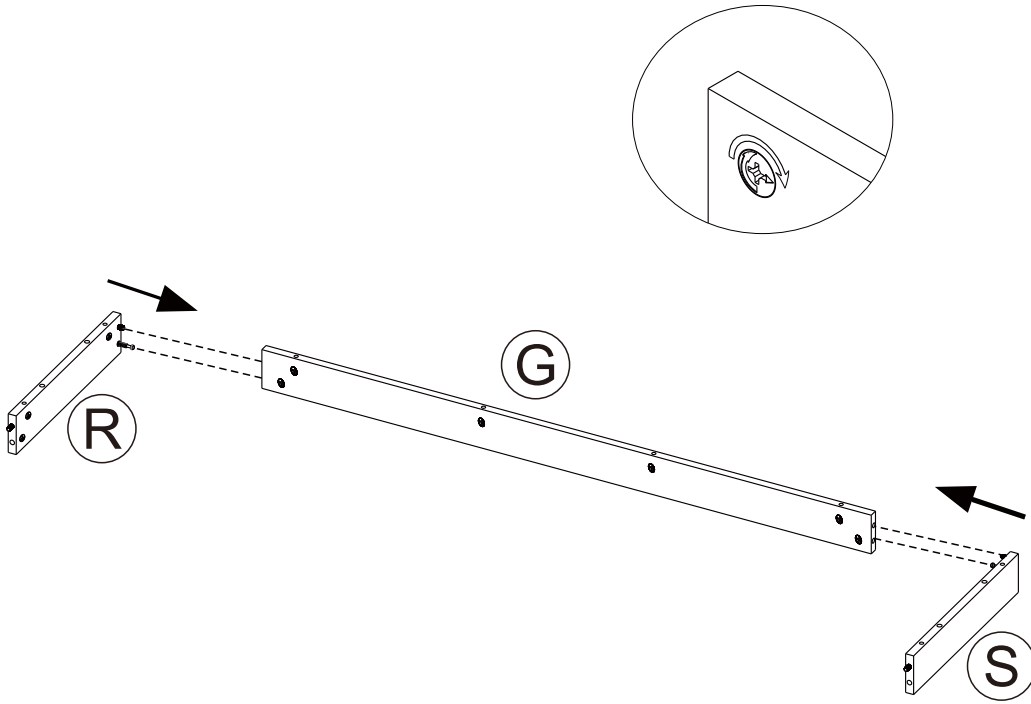
cam bolt

X2

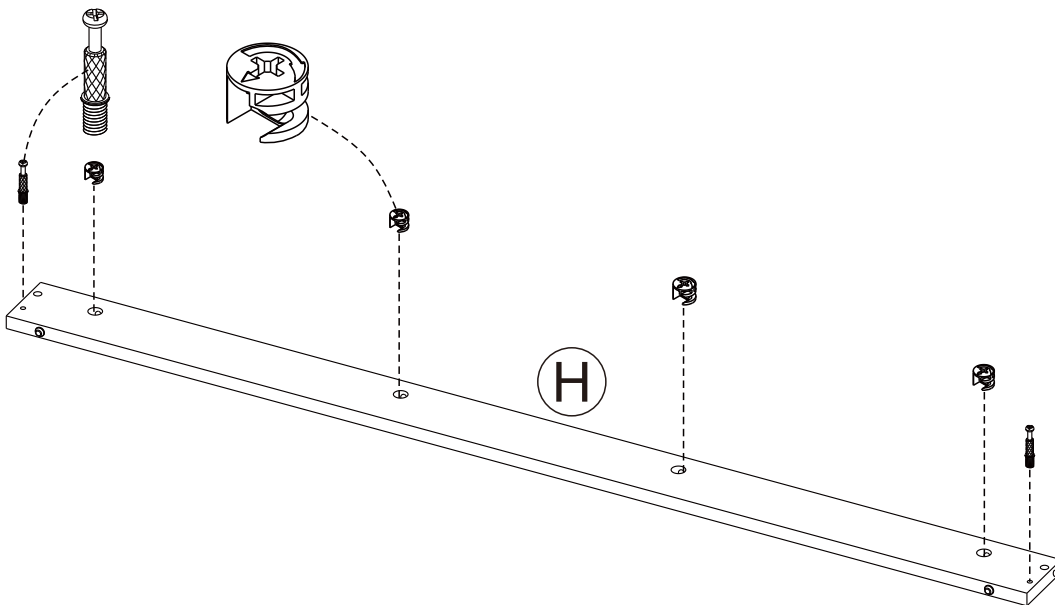
wood dowel


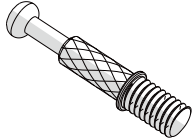
X4

# STEP 4

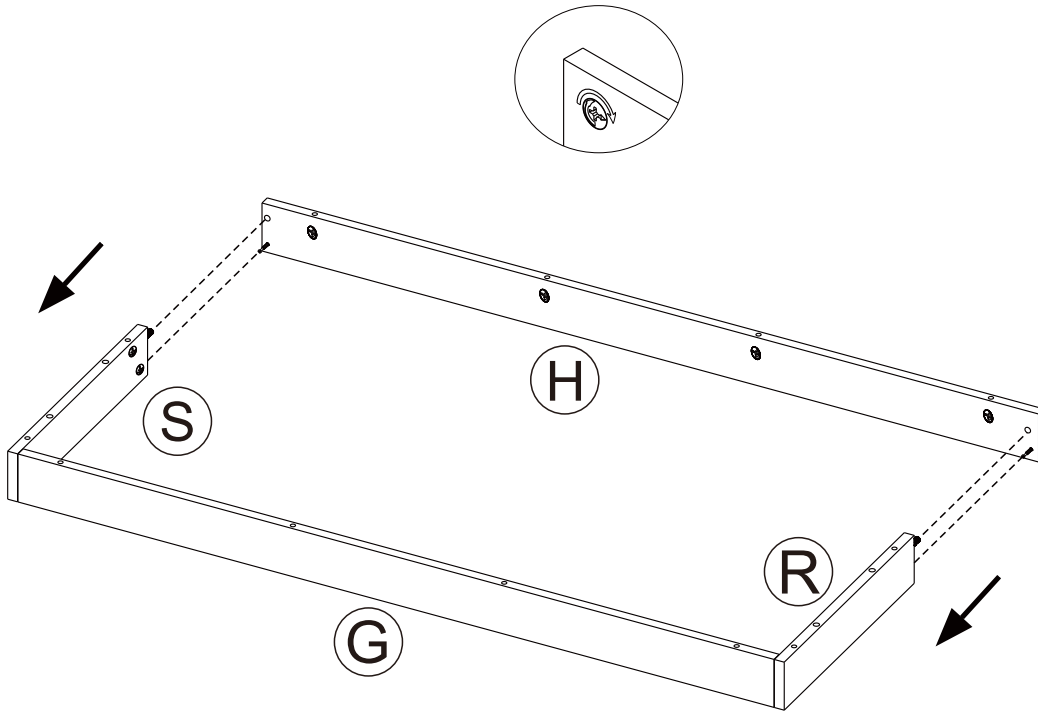


# STEP 5

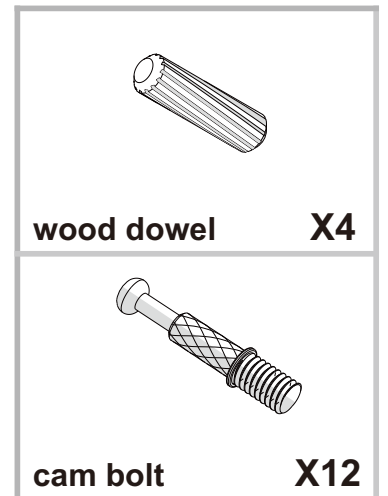
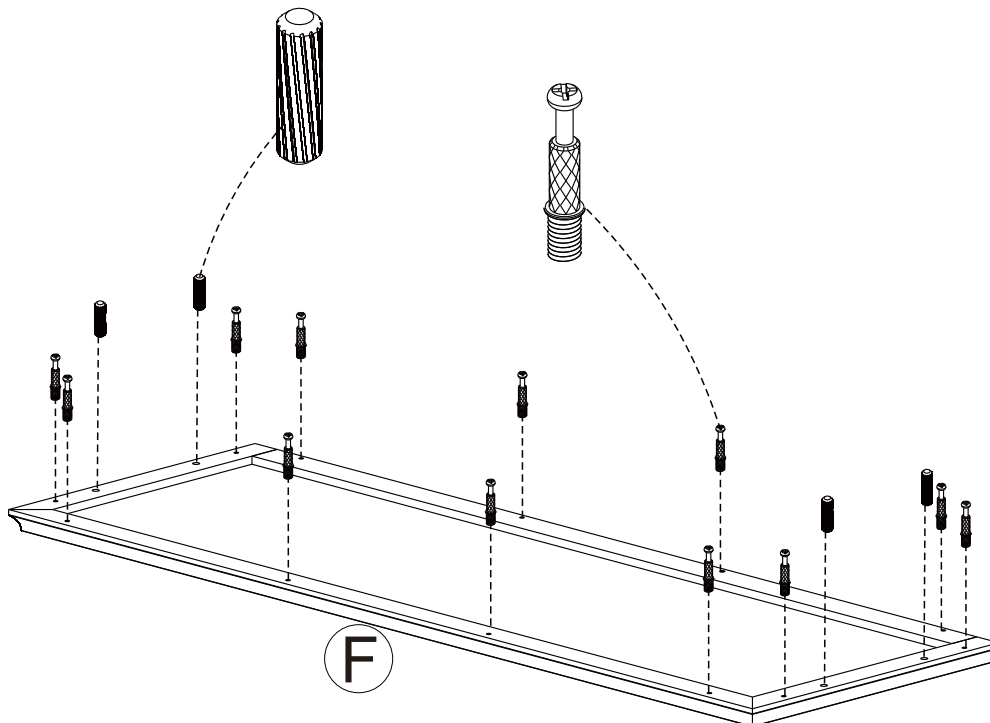


	<b>cam lock</b>	<b>X4</b>
	<b>cam bolt</b>	<b>X2</b>

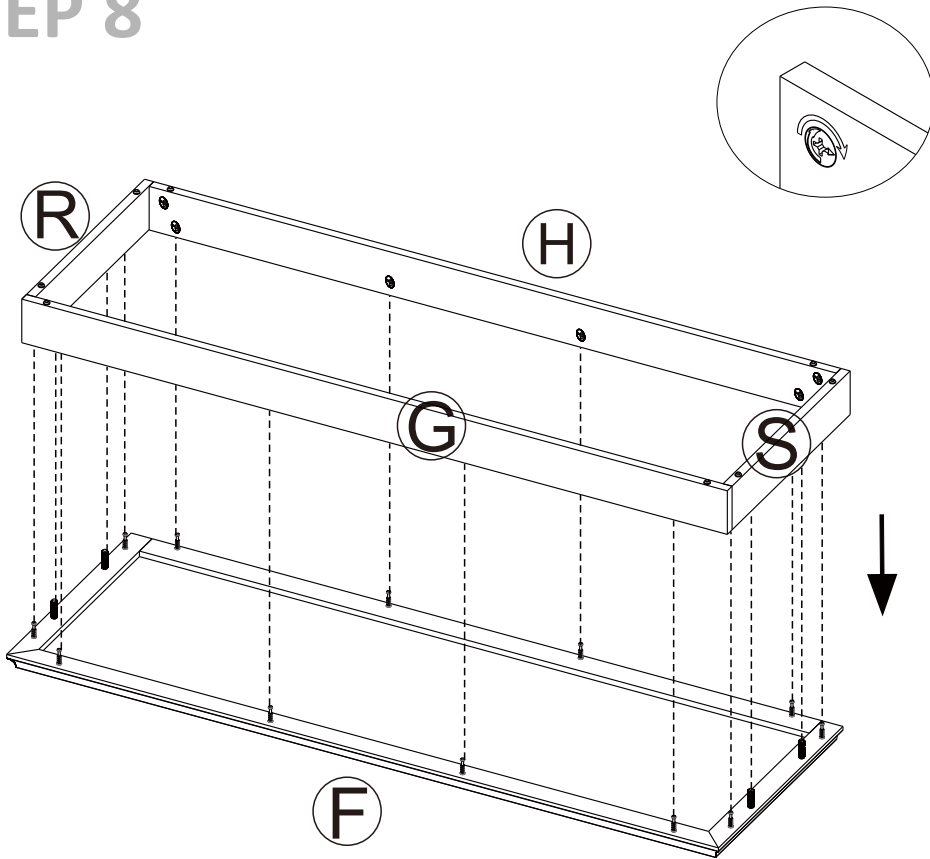
# STEP 6



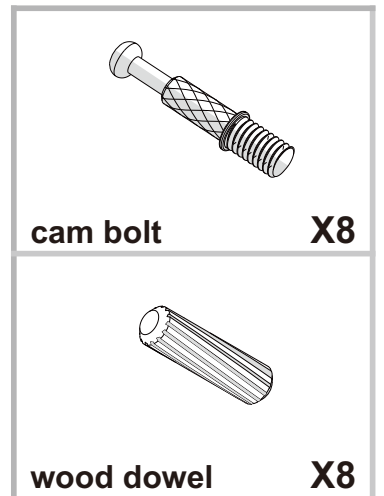
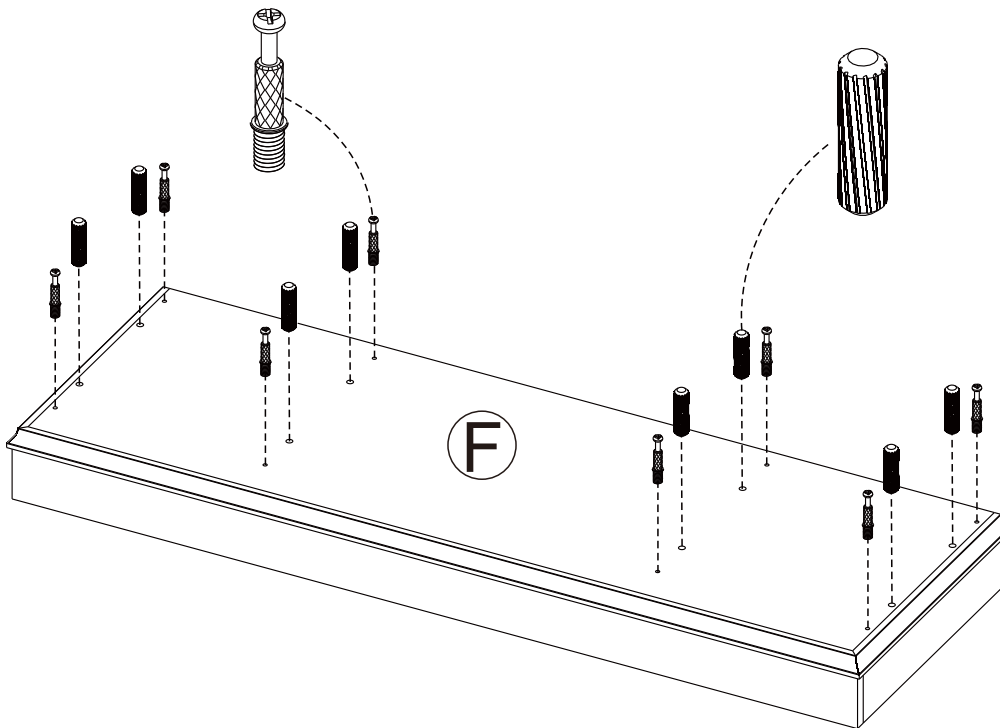
# STEP 7



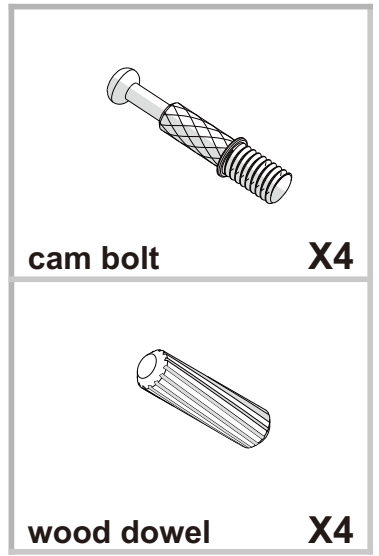
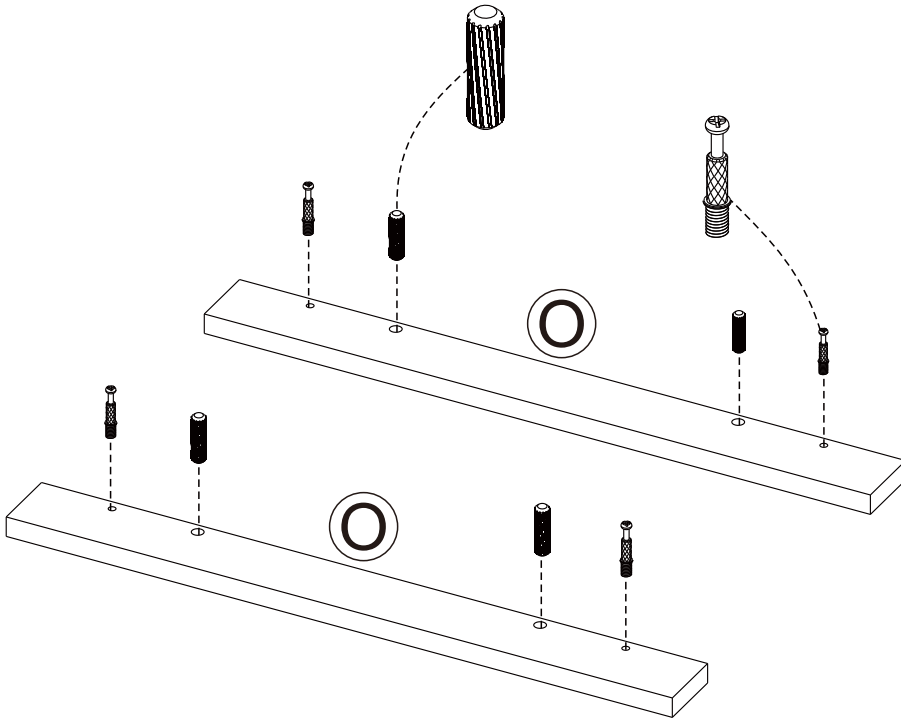
# STEP 8



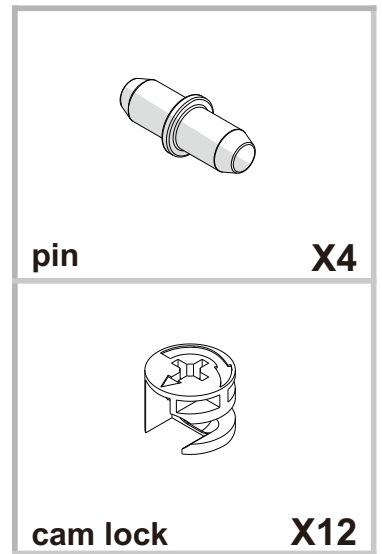
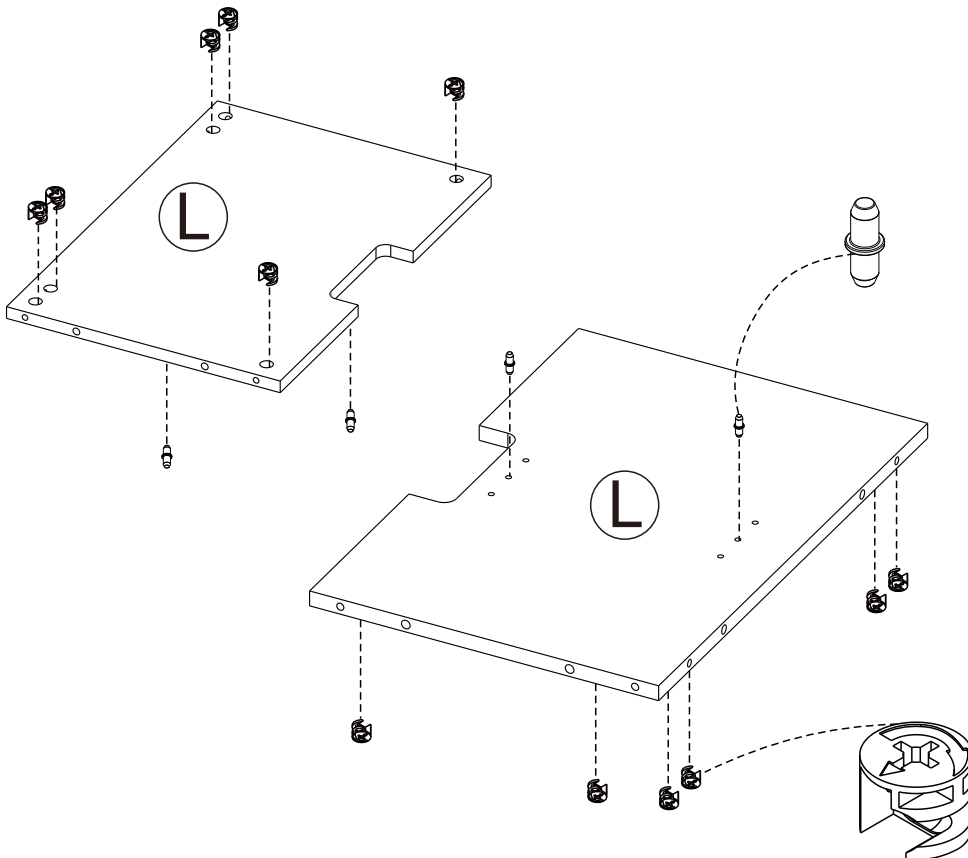
# STEP 9



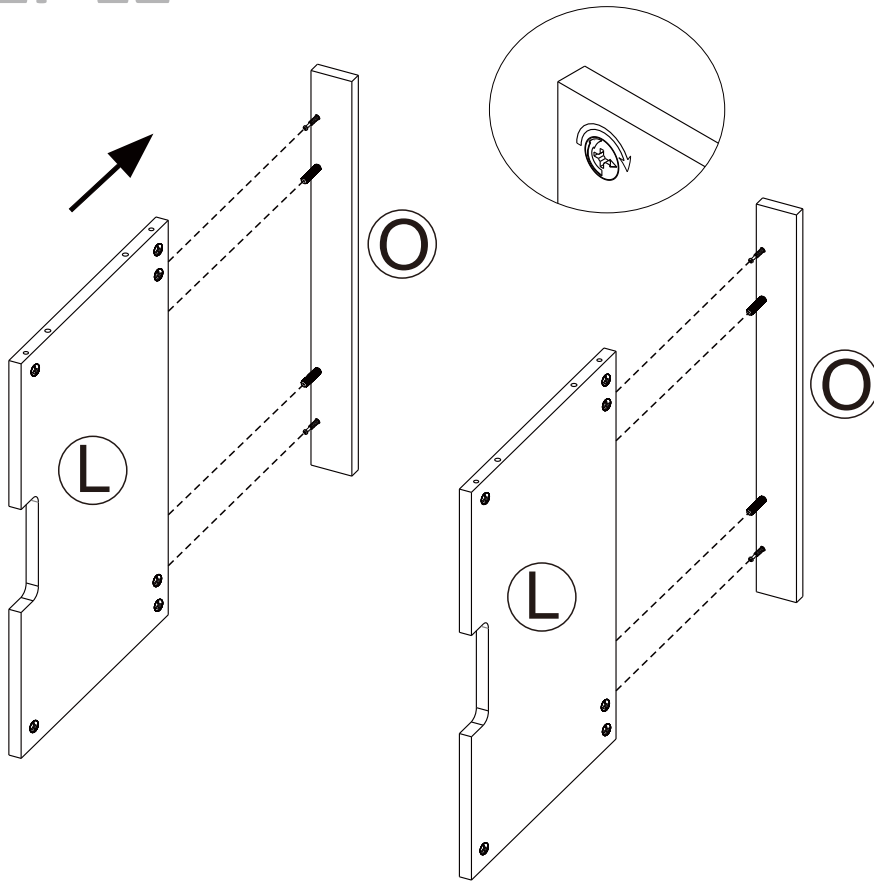
# STEP 10



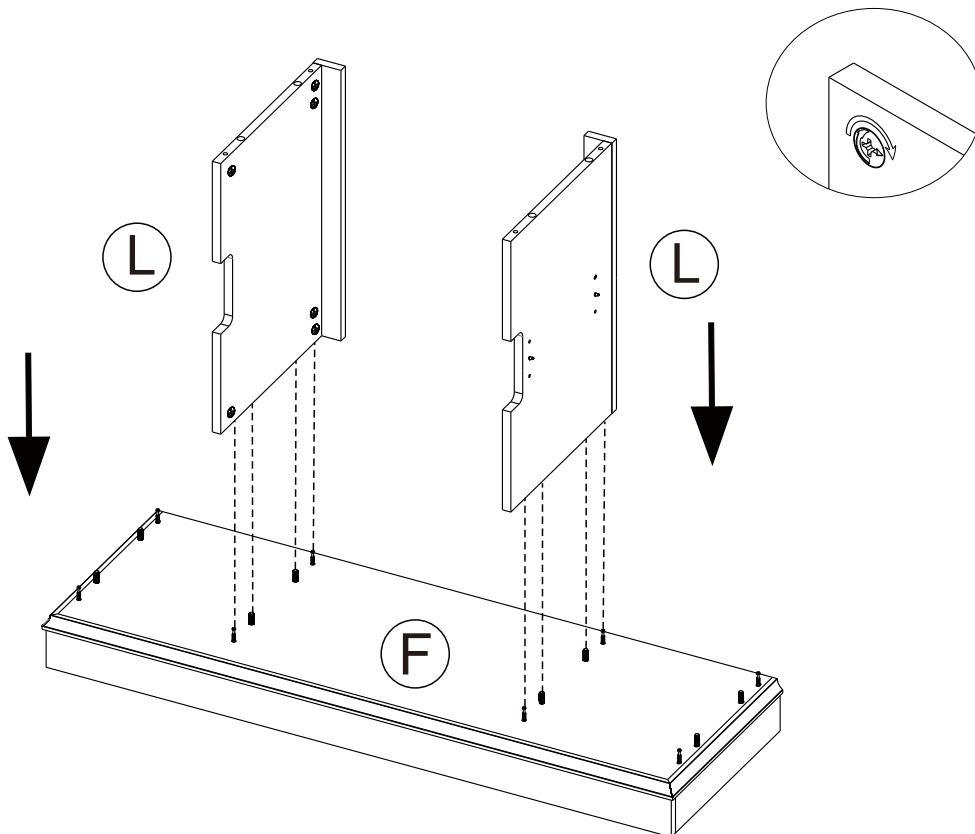
# STEP 11



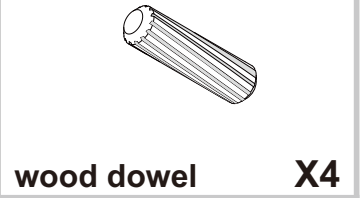
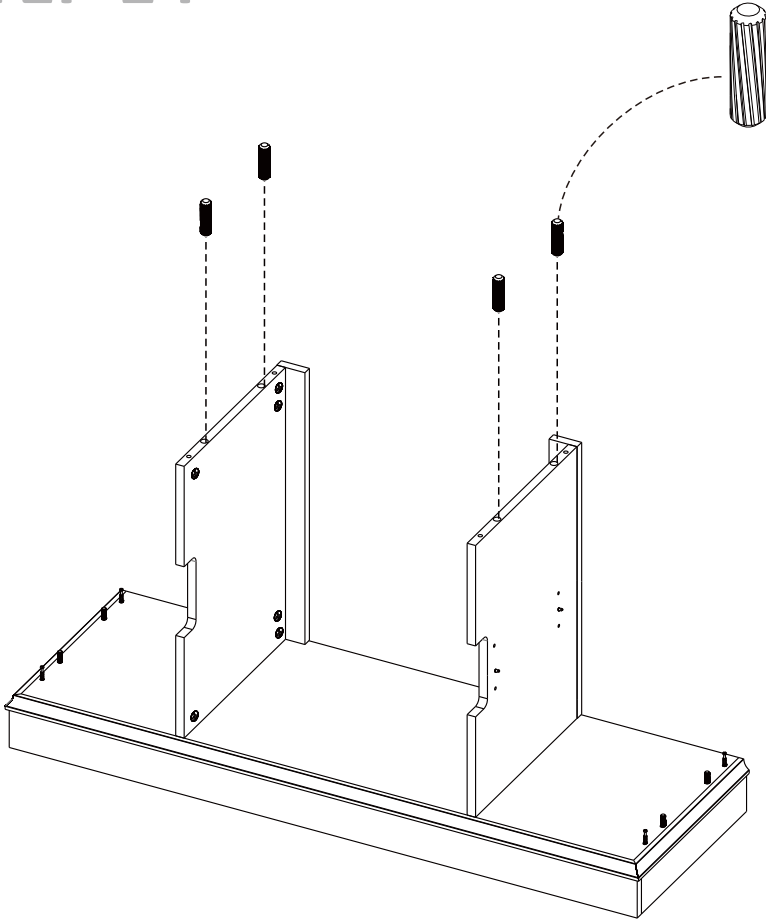
# STEP 12



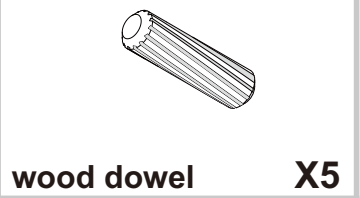
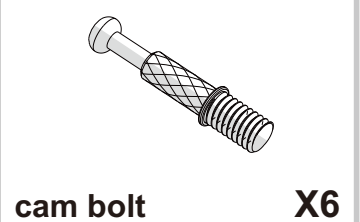
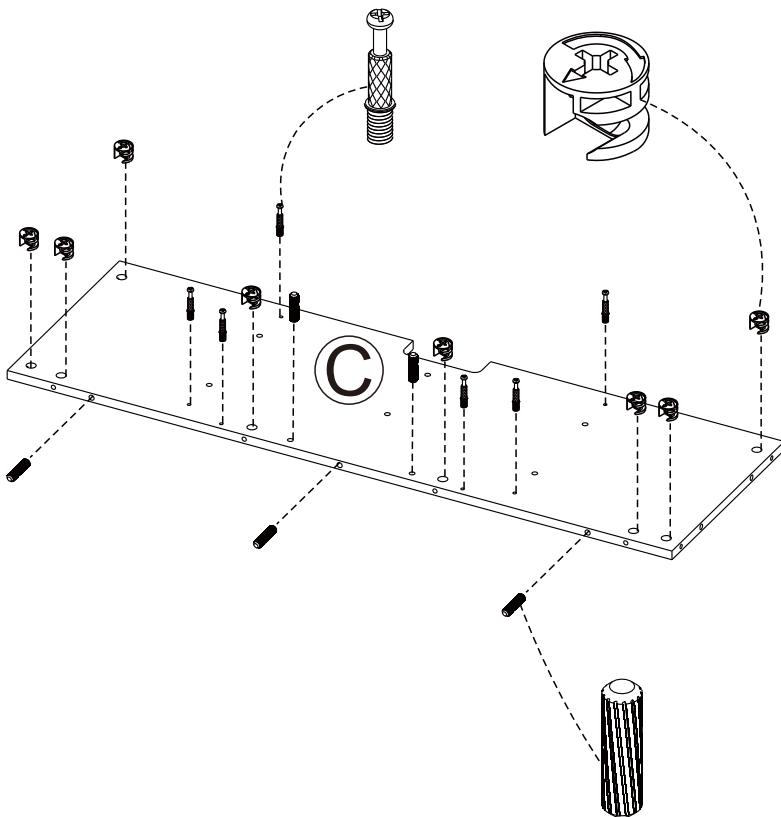
# STEP 13



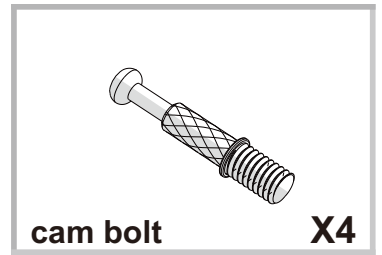
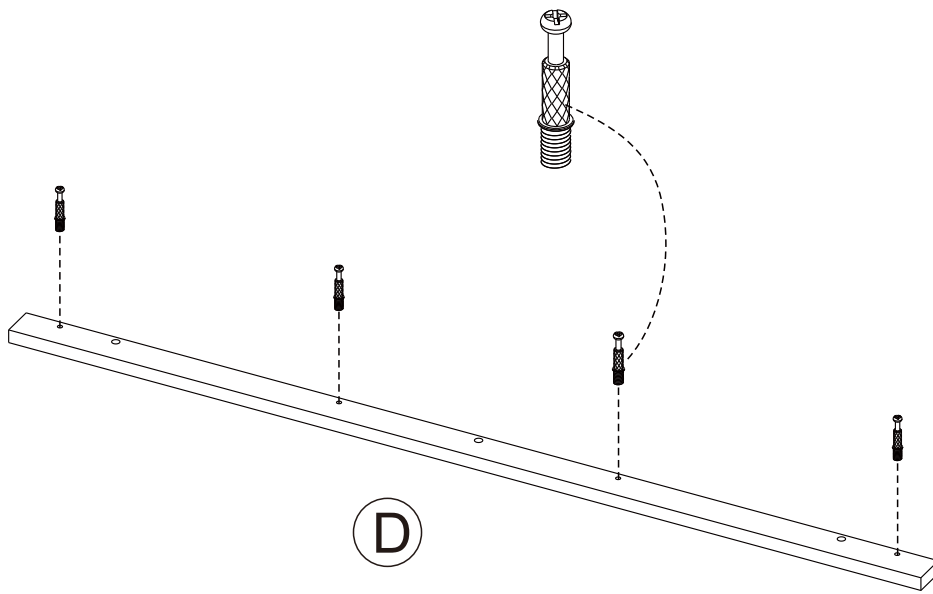
# STEP 14



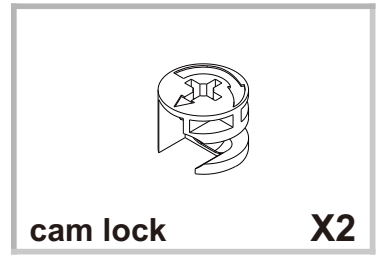
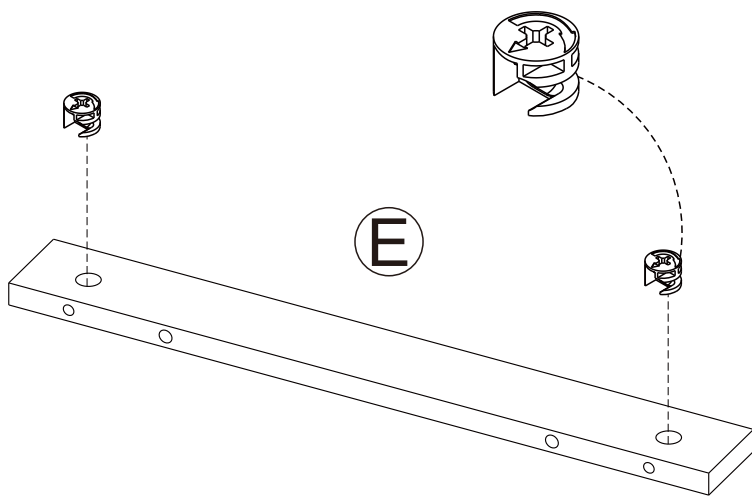
# STEP 15



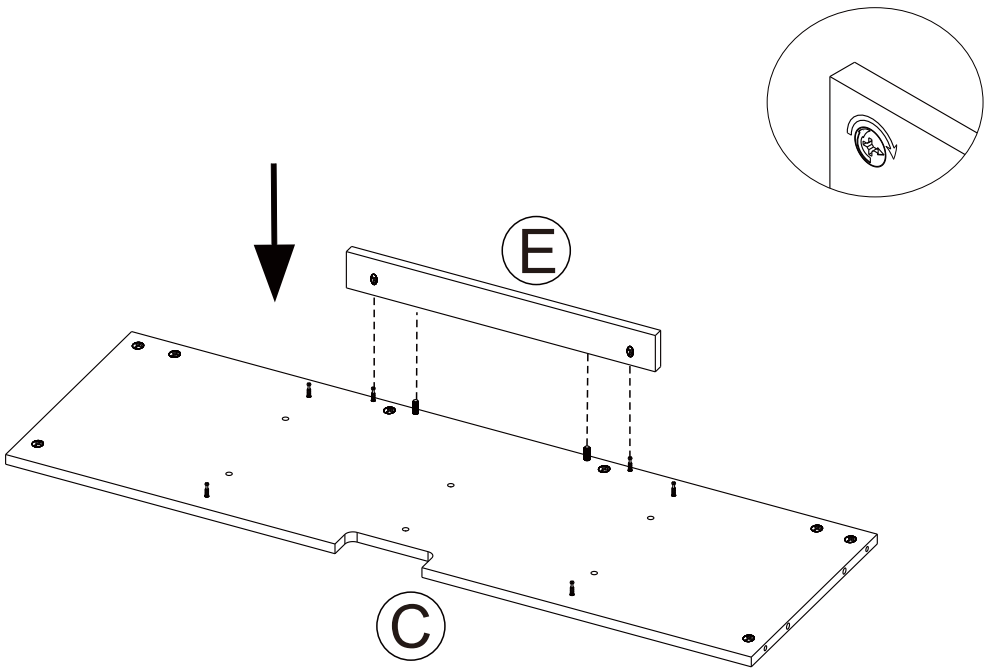
# STEP 16



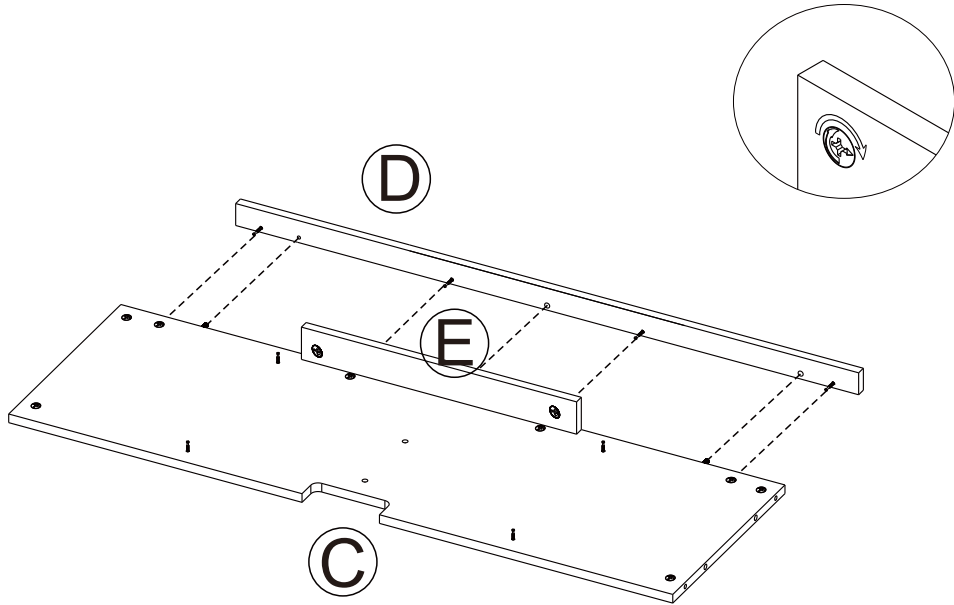
# STEP 17



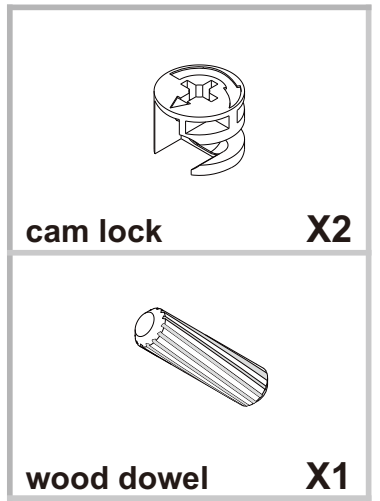
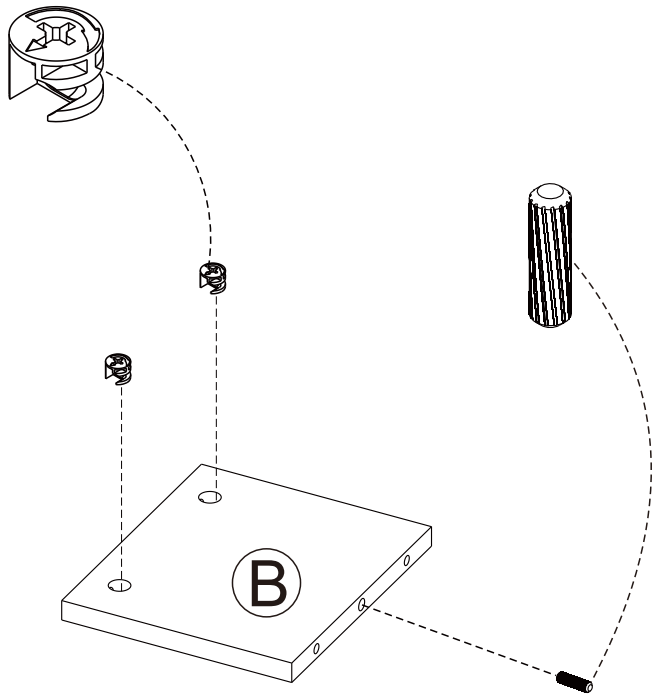
# STEP 18



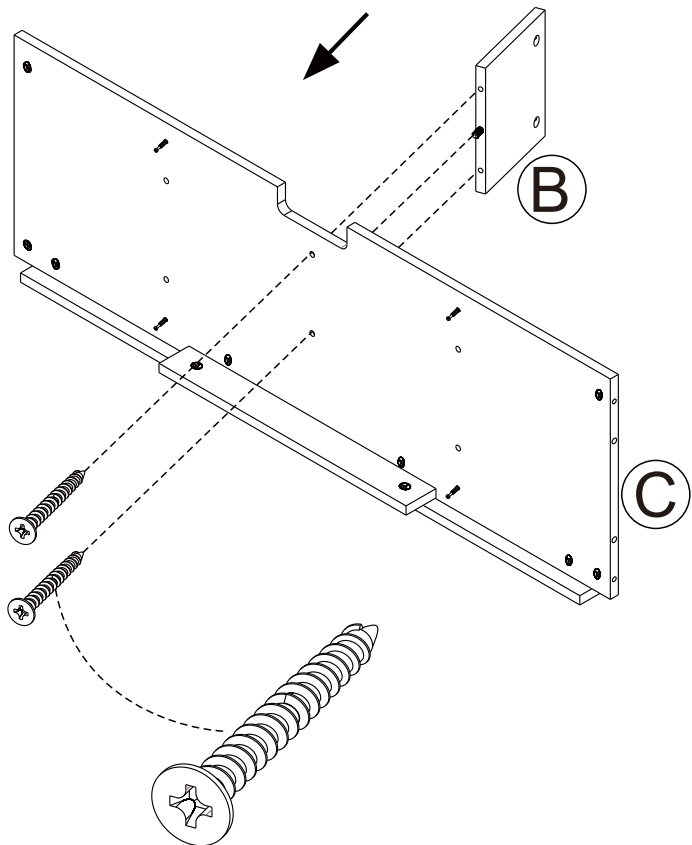
# STEP 19



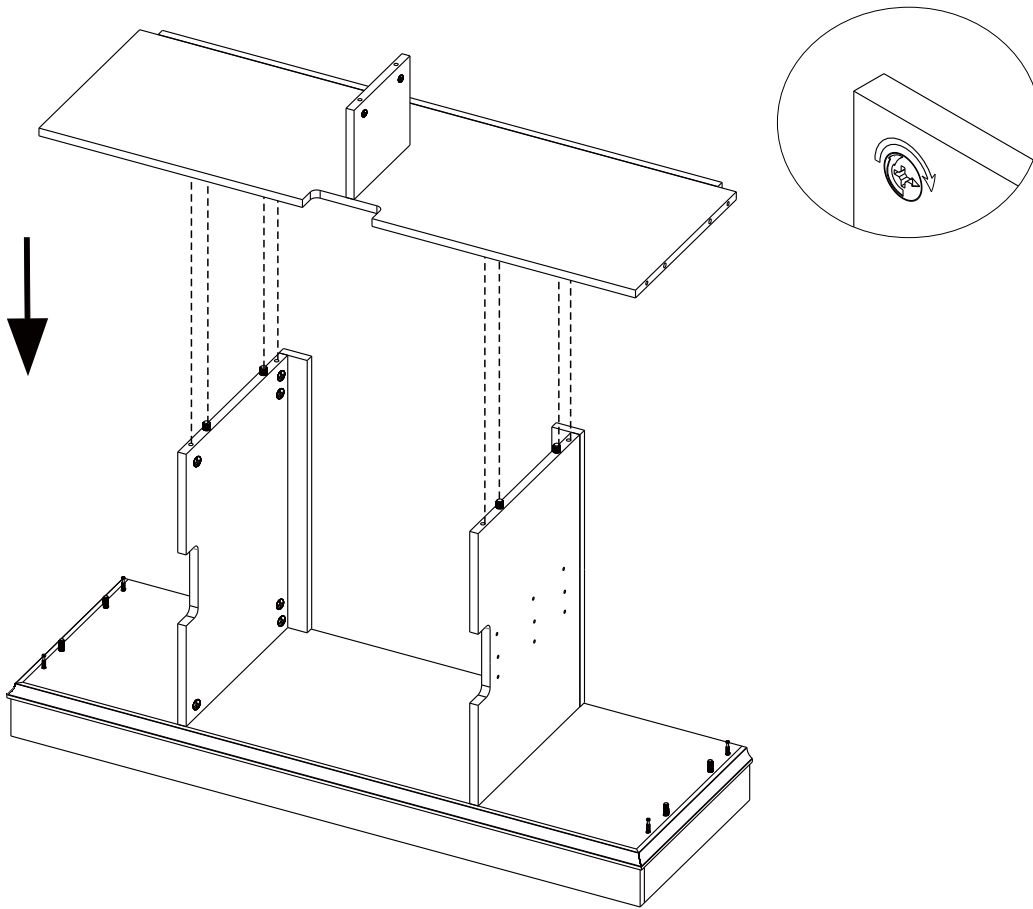
# STEP 20



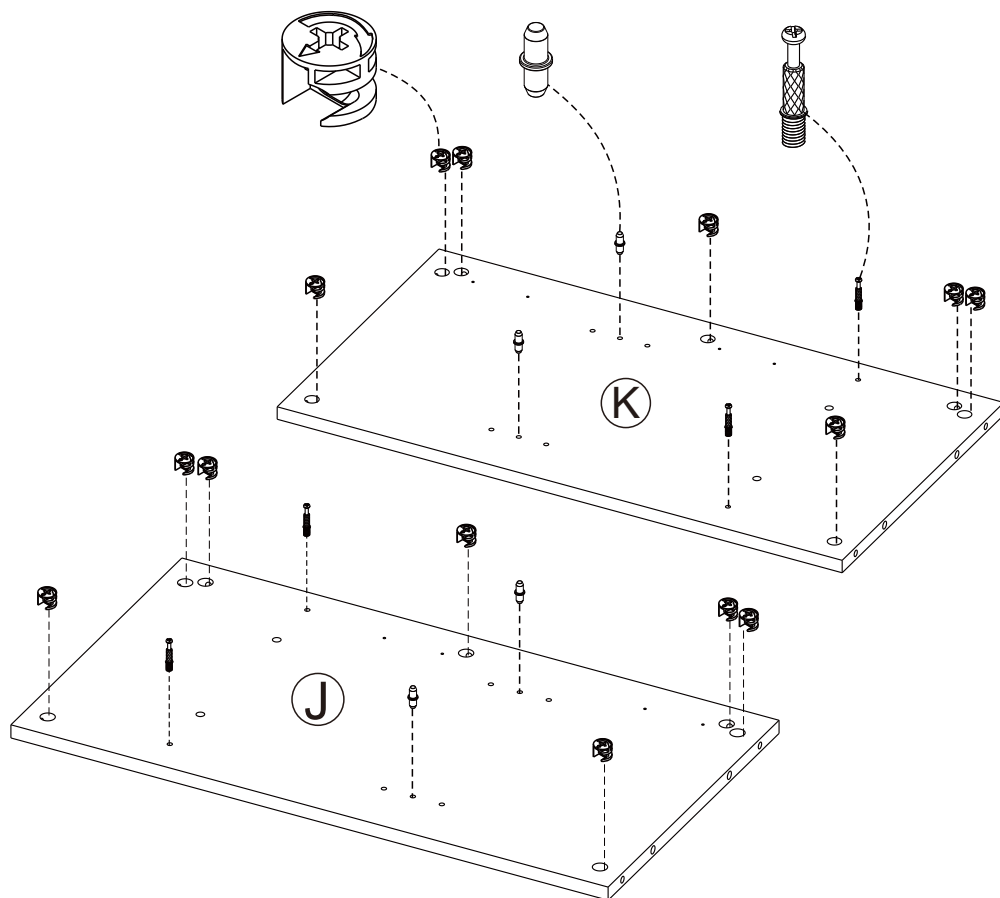
# STEP 21


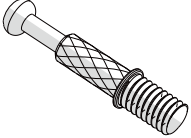
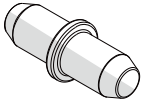


# STEP 22

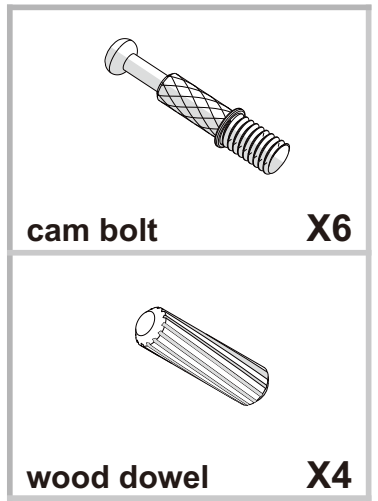
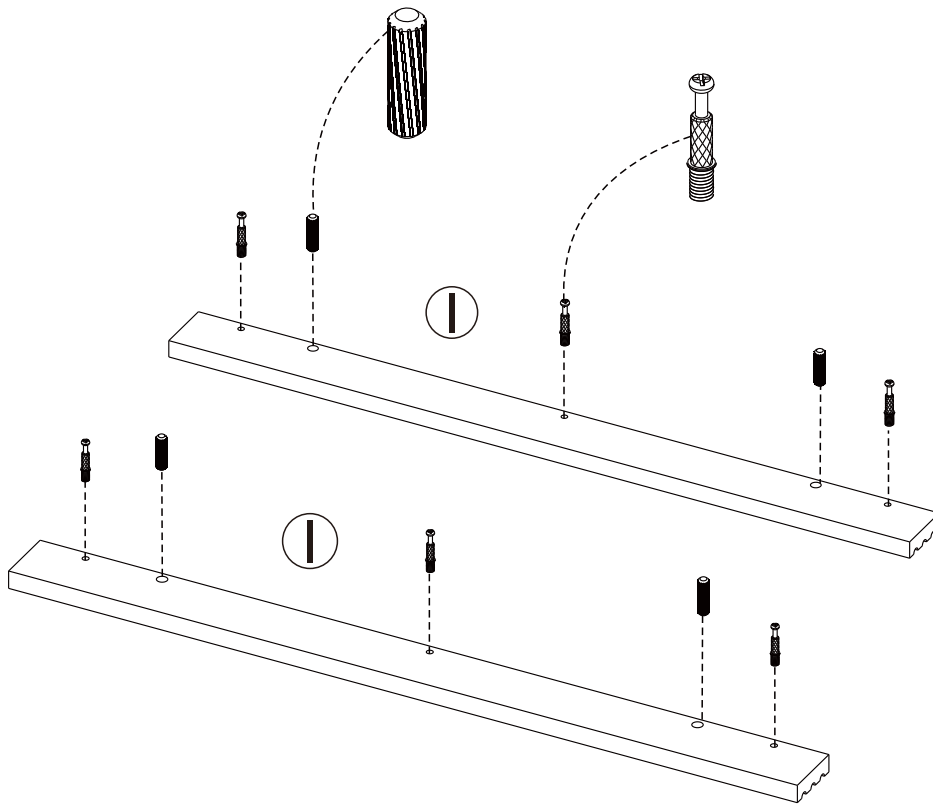


# STEP 23

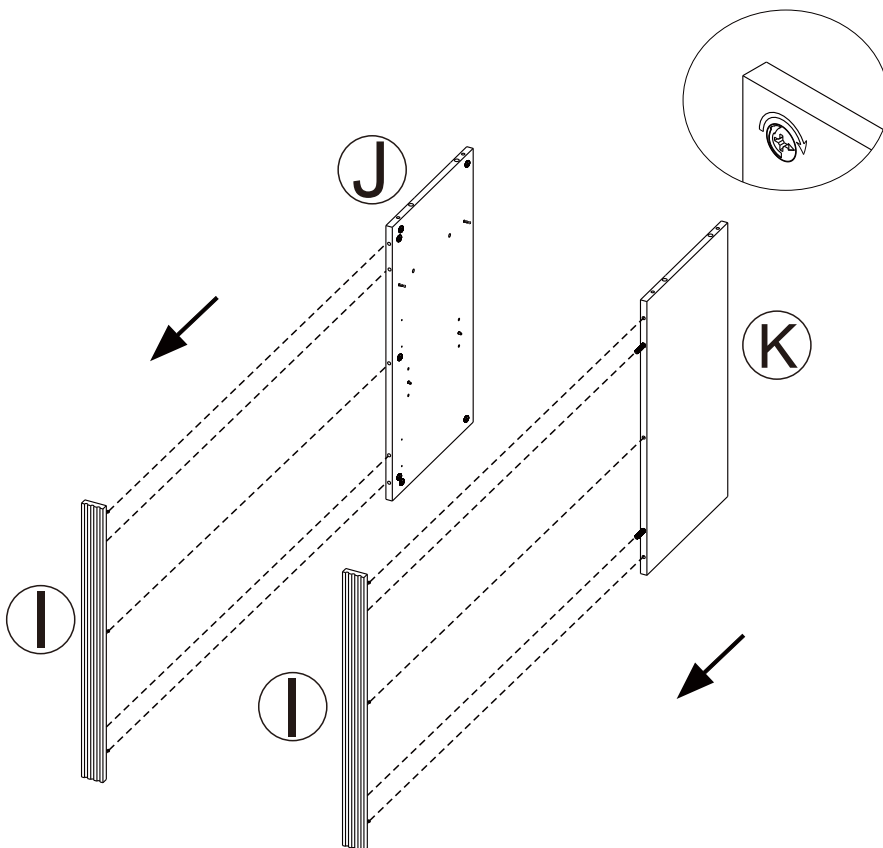


	<b>cam lock</b>	<b>X14</b>
	<b>cam bolt</b>	<b>X4</b>
	<b>pin</b>	<b>X4</b>

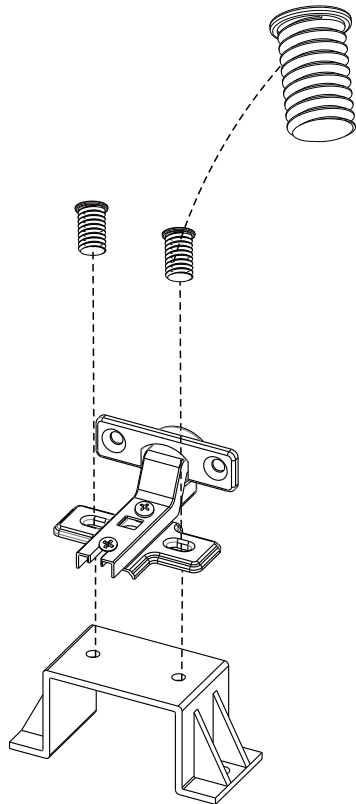
# STEP 24

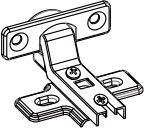
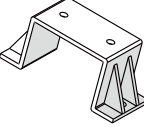
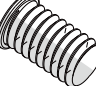


# STEP 25



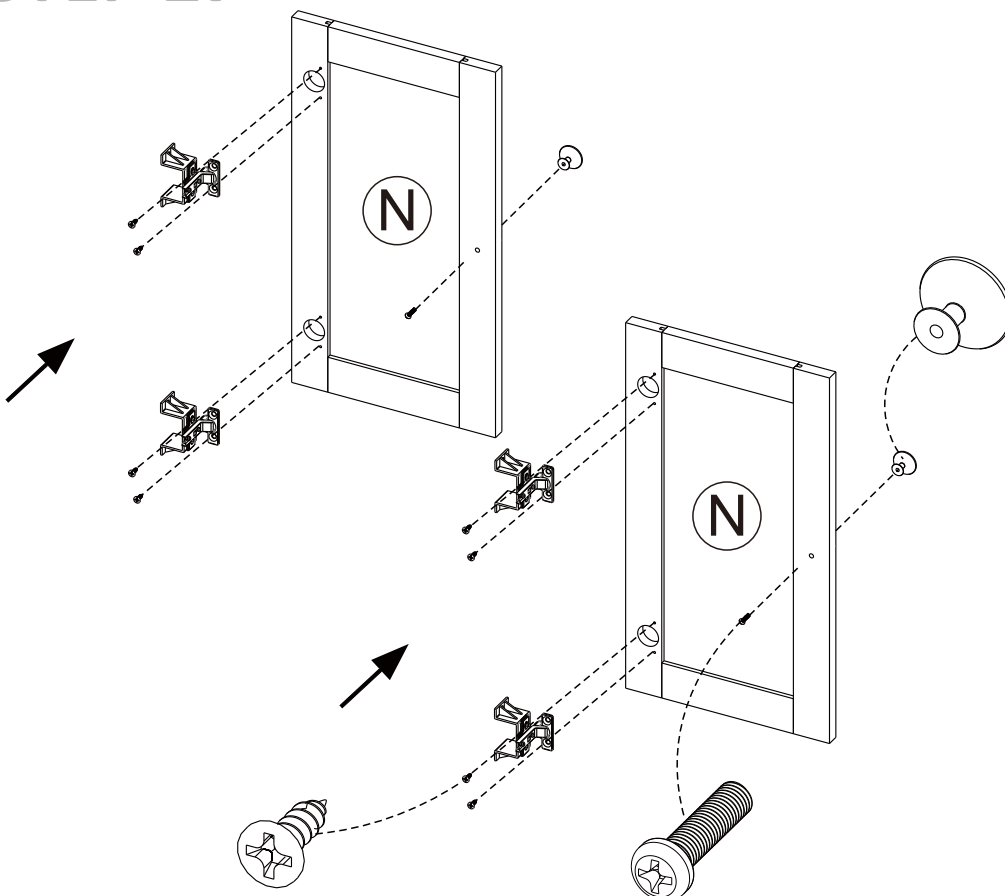
# STEP 26

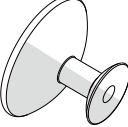
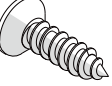



	<b>hinge</b>	<b>X4</b>
	<b>fixing bracket</b>	<b>X4</b>
	<b>screw M5x10</b>	<b>X8</b>

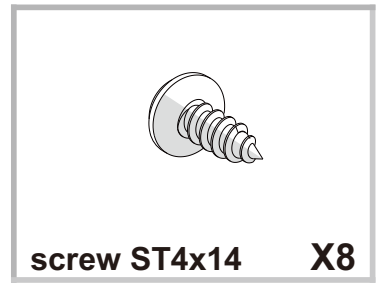
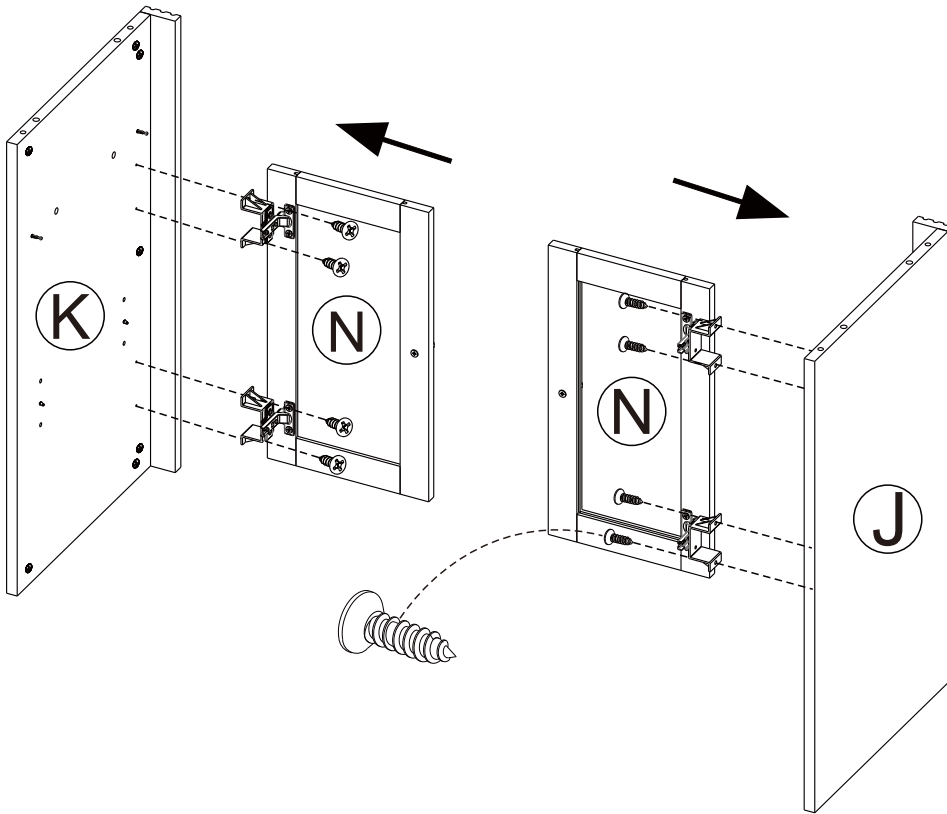
Fix all four hinges to the fixing brackets in this step.

# STEP 27

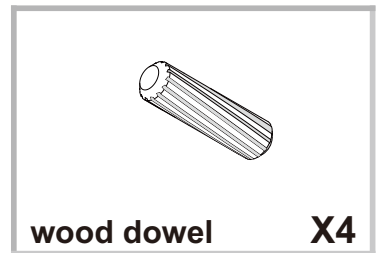
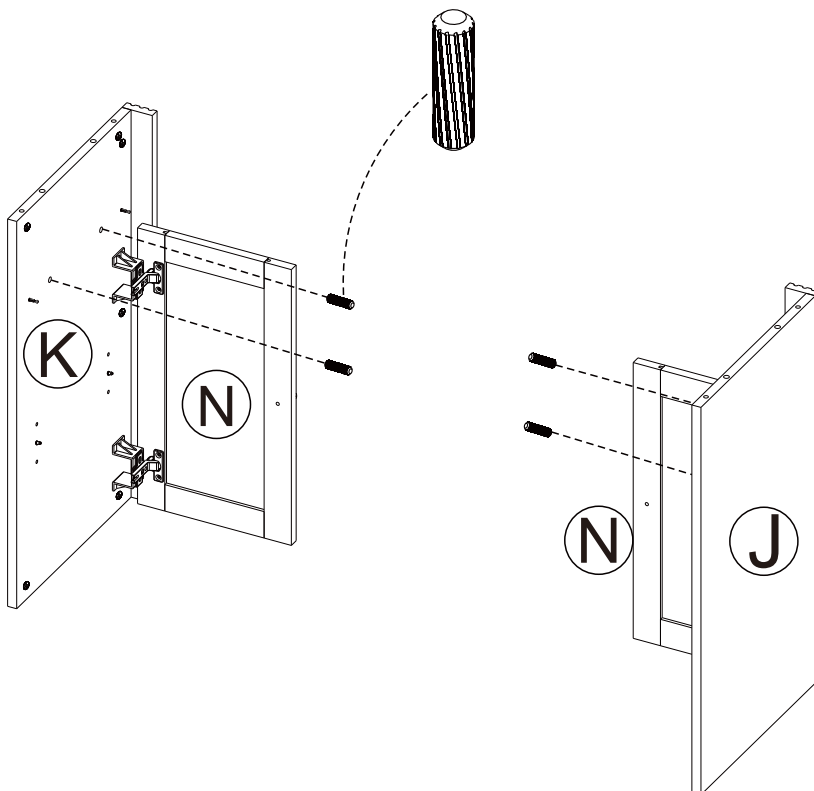


	<b>handle</b>	<b>X2</b>
	<b>screw ST4x14</b>	<b>X8</b>
	<b>screw M4x18</b>	<b>X2</b>

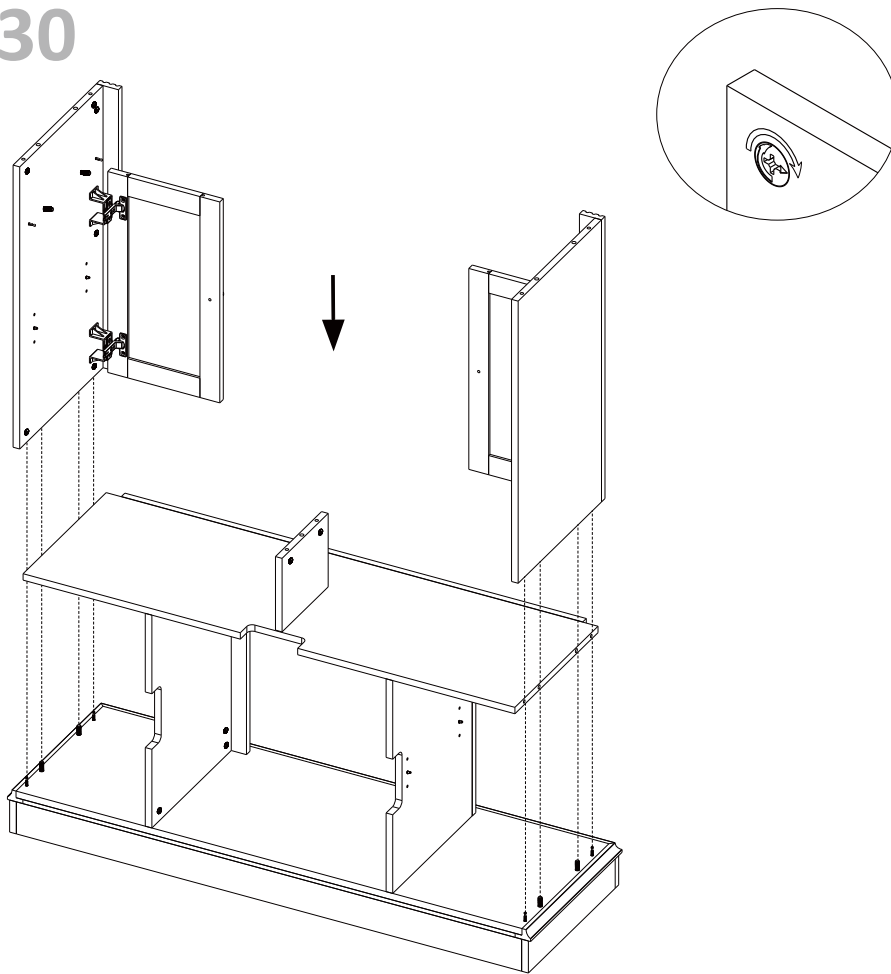
# STEP 28



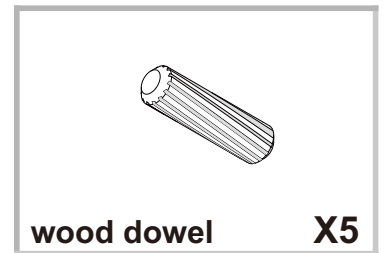
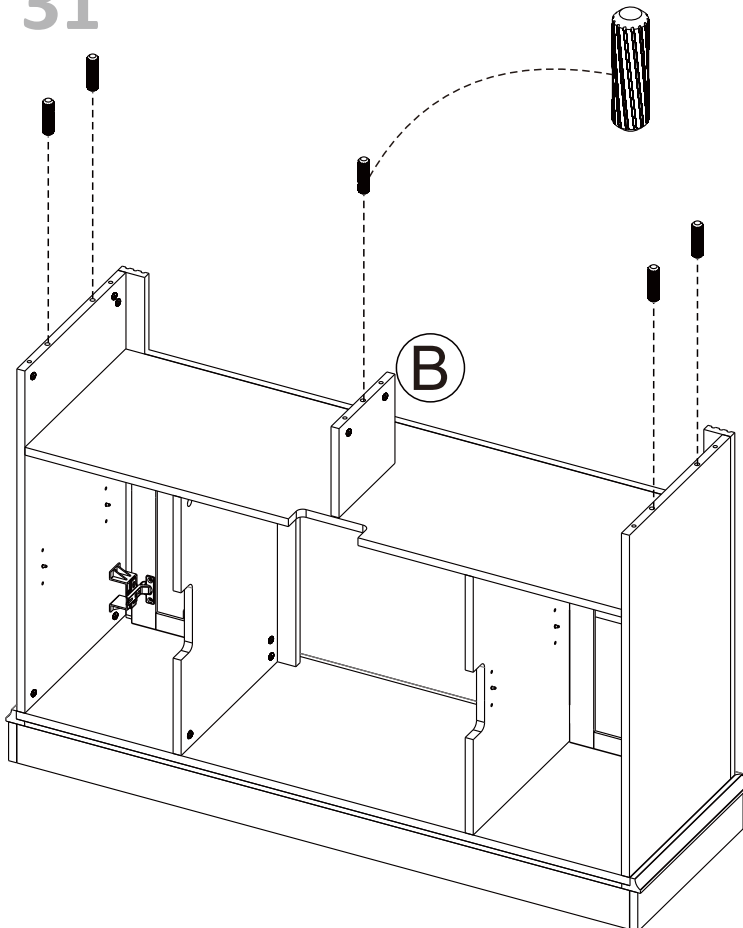
# STEP 29



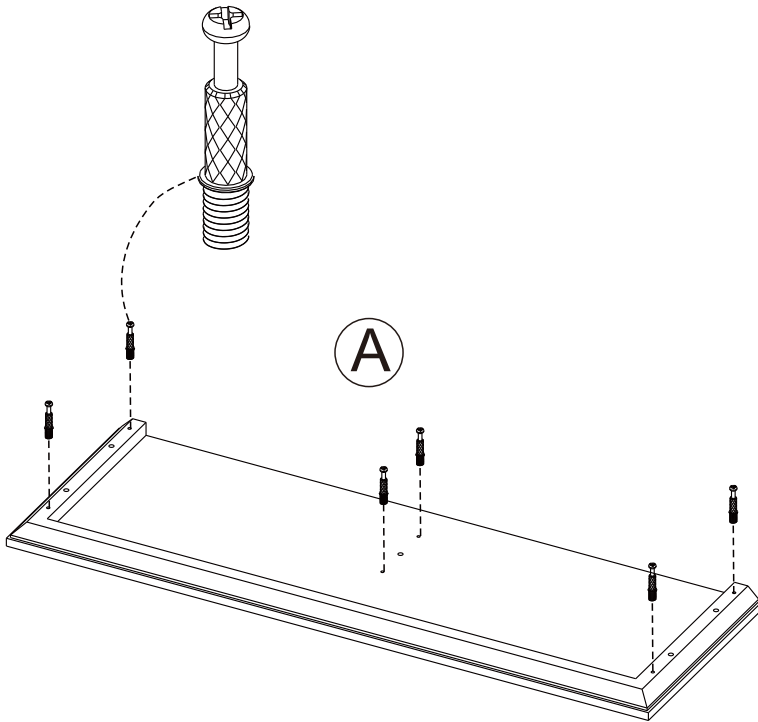
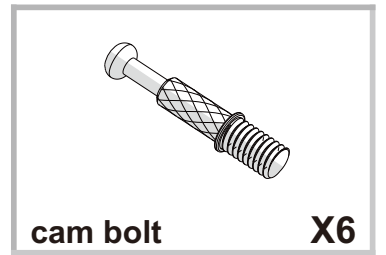
# STEP 30



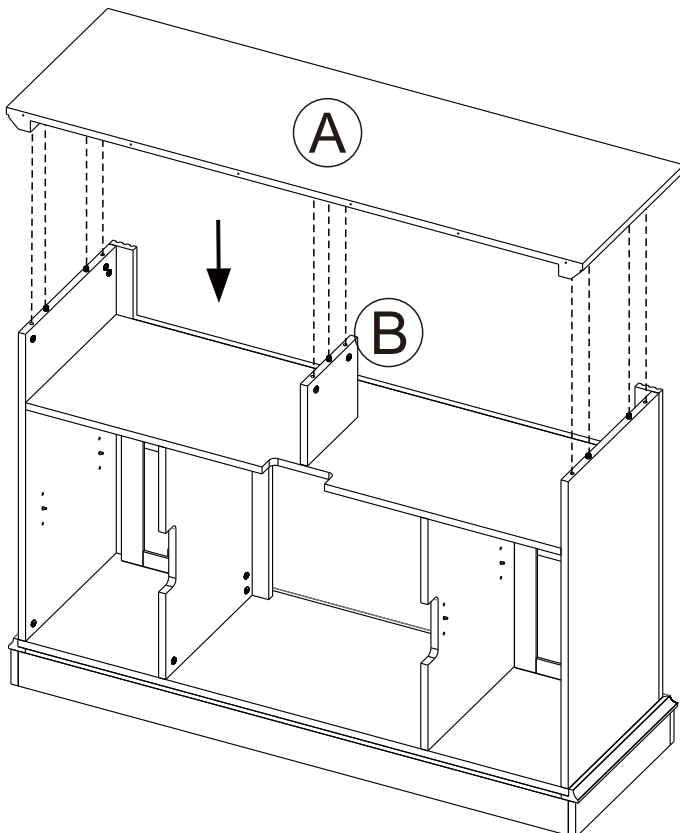
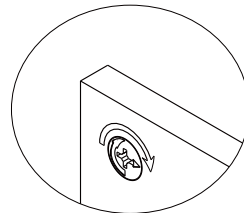
# STEP 31



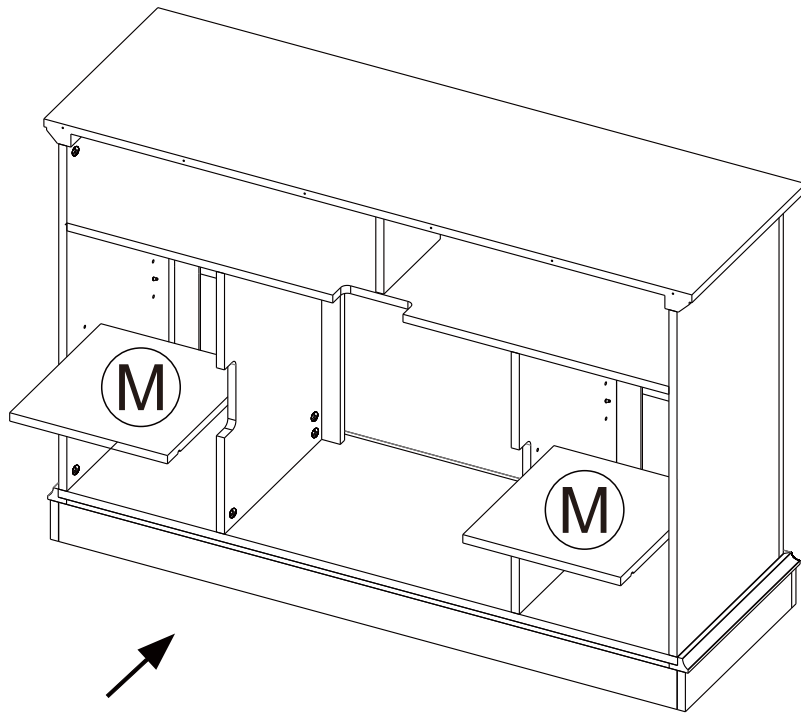
# STEP 32



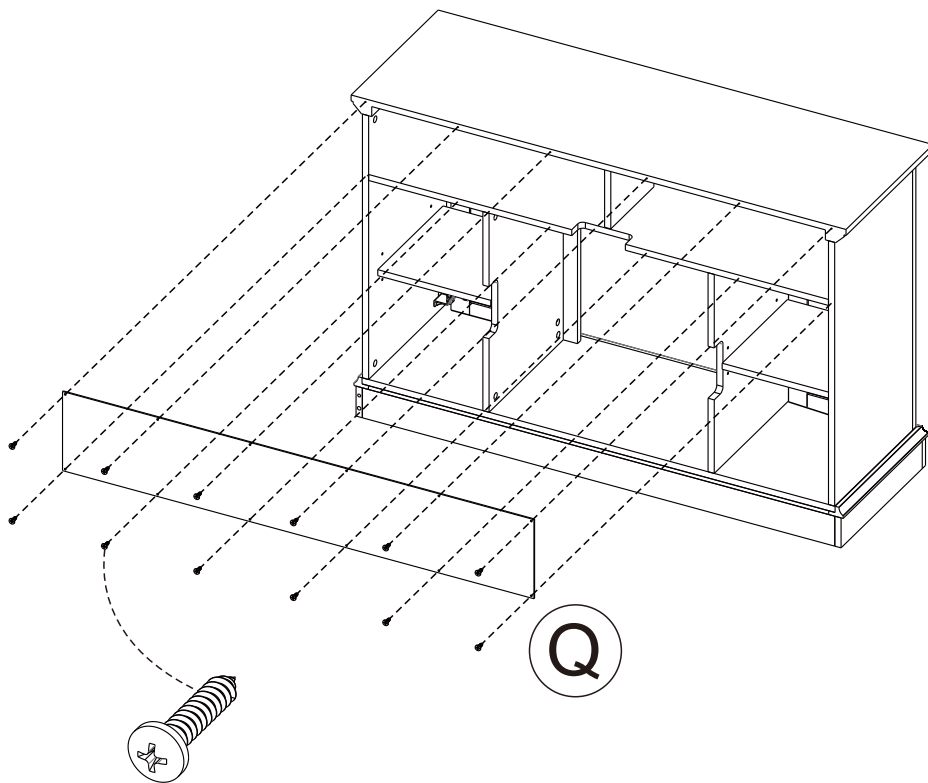
# STEP 33



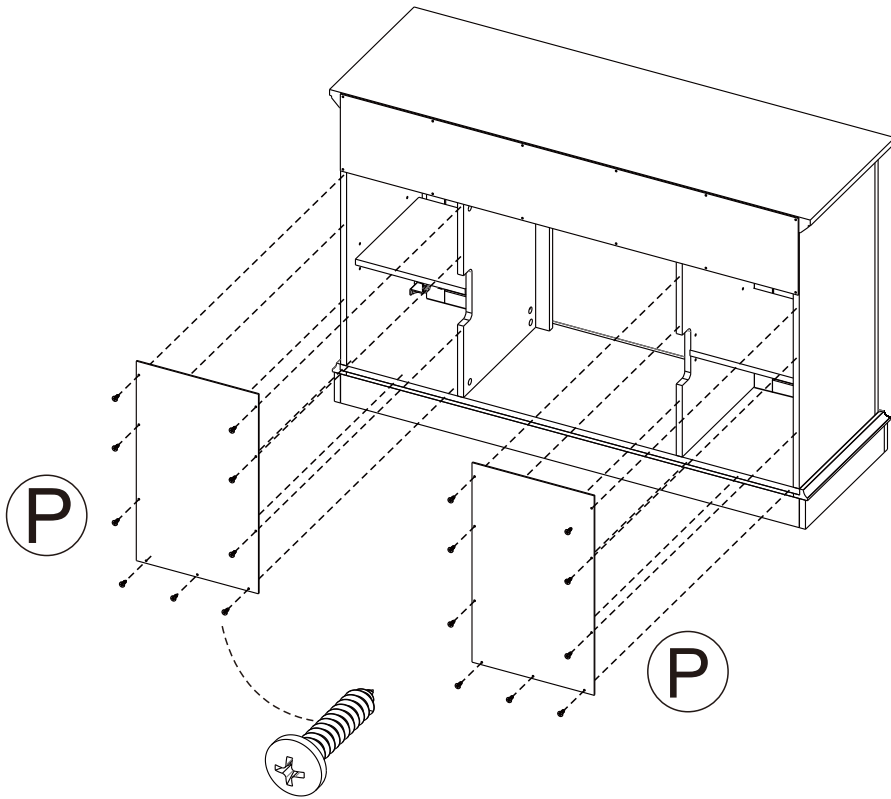
# STEP 34



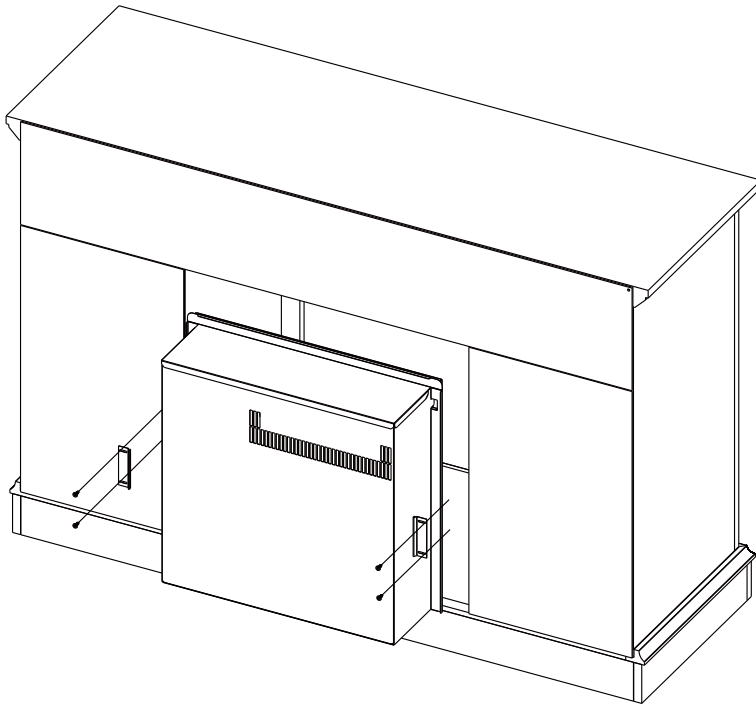
# STEP 35



# STEP 36



# STEP 37



Use 4pcs ST3.5\*12 screws

# STEP 38

