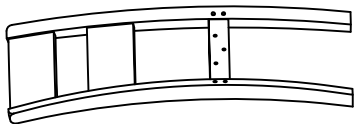
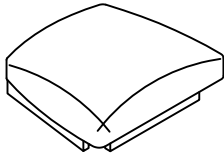



# ASSEMBLY INSTRUCTIONS

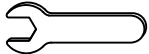






Thank you for purchasing this quality product . Be sure to check all packaging material carefully for small parts that may have come loose inside the carton during shipment .

"Hardware is attached underneath the seat bottom"

## Components List :

NO	DESCRIPTION	SKETCH	QTY
A	Back Frame		1pc
B	Seat Frame		1pc
C	Front Leg		2pcs

## Hardware List :

NO	DESCRIPTION	SIZE	SKETCH	QTY
1	Wrench	12x75 mm		1pc
2	Allen Key	58x23x4 mm		1pc
3	Short Bolt	1/4" x38 mm		3pcs
4	Long Bolt	1/4" x85 mm		4pcs
5	Hex-Nut	5/16"		4pcs
6	Spring Washer	5/16" x φ13		11pcs
7	Flat Washer	5/16" x φ19		11pcs

### Reminders

1. Use only the hardware supplied.
2. Once the chair is finished, level and tighten all the bolts.
3. Do not over-tighten bolts.
4. This item may require periodic tightening.

**Step1:** Attach the seat frame (B) to Back frame (A) by using flat washer (7), spring washer (6) and Short Bolt, Long Bolt (3&4).

**Step2:** Attach the 2 pcs front legs (C) to seat frame (B) by using flat washer (7) & spring washer (6) and hex-nut (5) .

Assembly is now complete

Thank you for purchasing this product.

