

# Floor Lamp Living Room

## ■ Specification:

Voltage: 110-130V

Material: Metal ,Line cloth

Color: Black, Gold, beige

Wattage: 100 Watt Max

Lamp Holder: E26 Base (LED bulb included)

Bulb info: A19-9W-(Three Color temperature)

Switch Type: rotary switch

Item Weight: 5.5kg

Item Height: 64.17in/1630mm

Wire Length: 70.87in/1800mm

Shade Size: 12.6 in/320mm(D)  
10 in/254mm(H)

Base Size: 10in/254mm(D)

Usage: Indoor Use Only

## ■ Package Includes:

1x Lamp shade

4x Lamp poles 1x Lamp base

1x A19 led bulb 1x User manual

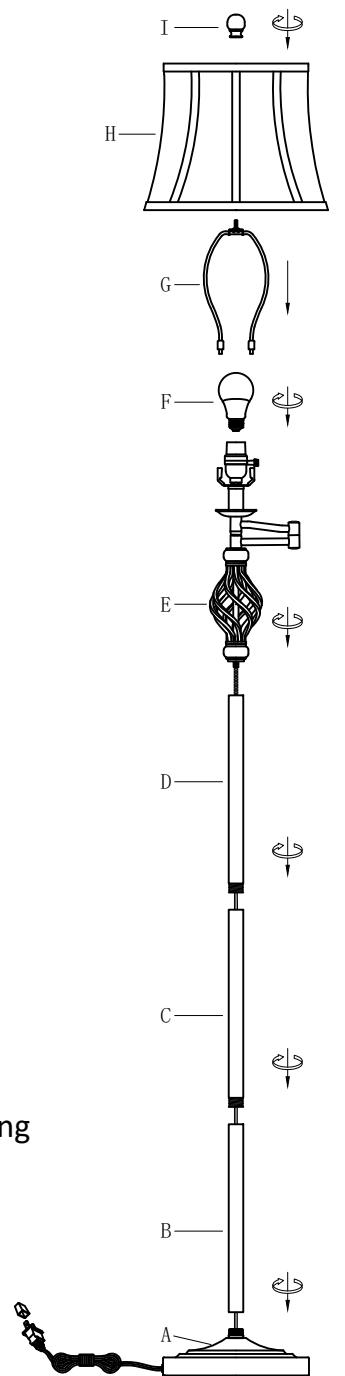
## ■ EASY INSTALLATION:

1. Put the base on the ground and tighten the pole and base.
2. Connect other four poles one by one along the wire extending from the base, and pull the cord gently as you build.
3. Unscrew the fixing ring from the lamp holder.
4. Fix the lampshade on the lamp holder.
5. Screw the ring back to steady the lampshade.
6. Install the bulb.

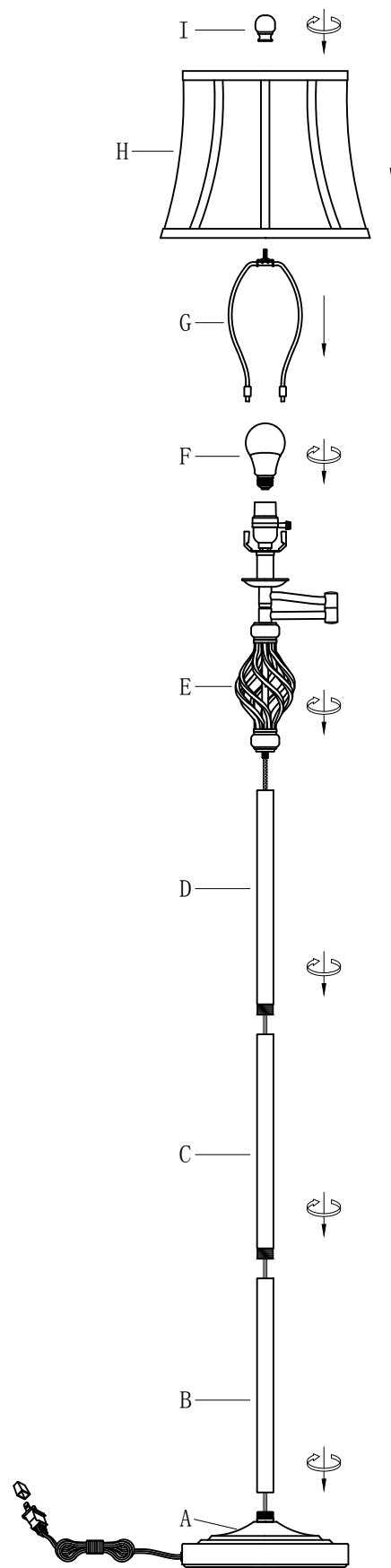
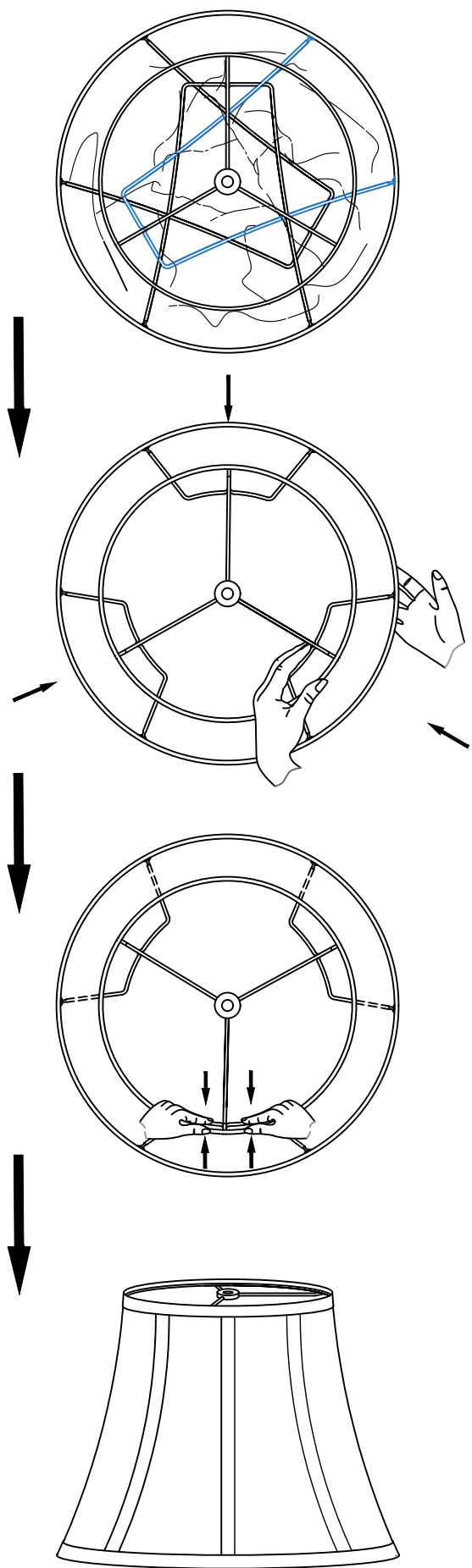
Please follow the installation video on the listing to assemble the lamp

## ■ Attention:

- 1: If you want to change the vintage Led bulb included, incandescent light bulbs less than 100W are greatly recommended.
- 2: The bulb will decrease the brightness when it is reaching its lifespan or has partial short circuit. At that moment, please switch off, change a bulb and use it as you would normally.
- 3: Please shut off the power and unplug it before you screw in a new bulb.
- 4: Don't put the lamp in overheating working condition or cast it into fire.



Made in China



Please follow the installation video on the listing to assemble the lamp

Installation Sample Diagram

Made in China