



CEILING FAN INSTRUCTIONS

NOTE

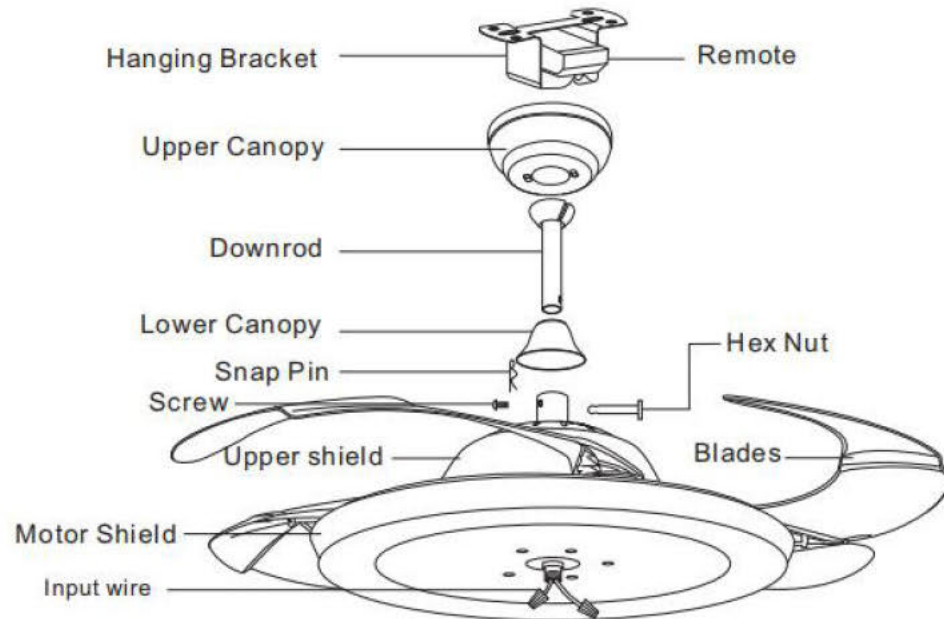
The product drawing of the manual may be different from the actual product, and the wiring and installation methods are the same.

Attention:

This appliance is not intended for use by persons (including children) with reduced physical, sensory or mental capabilities, or lack of experience and knowledge, unless they have been given supervision or instruction concerning use of the appliance by a person responsible for their safety.



STRUCTURE DRAWING



CAUTION: MAKE SURE MAIN POWER IS TURNED OFF;

IF FAN SOUNDS NOISY:

- 1) Check to make sure all screws in motor housing are snug (not over tightened).
- 2) Check to make sure the screws which attach the fan blade holder to the motor are tight.
- 3) Check to make sure wire nut connectors in switch housing are not rattling against each other or against the interior wall of the switch housing.

CAUTION:

Make sure main power is turned off before entering switch housing.

Some fan motors are sensitive to signals from Solid State variable speed controls.

DO NOT USE A SOLID STATE VARIABLE SPEED CONTROL.

Allow "break-in" period of 24 hours. Most noises associated with a new fan will disappear after this period.

IF LIGHT DOES NOT WORK:

- 1) Check wire from fan to make sure it is connected to hot wire from house.
- 2) Check for loose or disconnected wires in fan switch housing.
- 3) Check for loose or disconnected wires in light kit.
- 4) Check for faulty light bulbs.

CAUTION: MAKE SURE MAIN POWER IS TURNED OFF BEFORE ZENTERING SWITCH HOUSING.



TROUBLE SHOOTING

If you have difficulty operating your new ceiling fan, it may be the result of incorrect assembly, installation, or wiring. In some cases, these installation errors may be mistaken for defects. If you experience any faults, please check this Trouble Shooting Chart.

If a problem cannot be remedied, or you are experiencing difficulty in installation, please call our Customer Service Center at the number printed on your parts list insert sheet.

Warning : Before servicing or cleaning unit, switch power off at service panel and lock service disconnecting means to prevent power from being switched on accidentally.

When the service disconnecting means cannot be locked, securely fasten a prominent warning device, such as a tag, to the service panel.

IF FAN DOES NOT START:

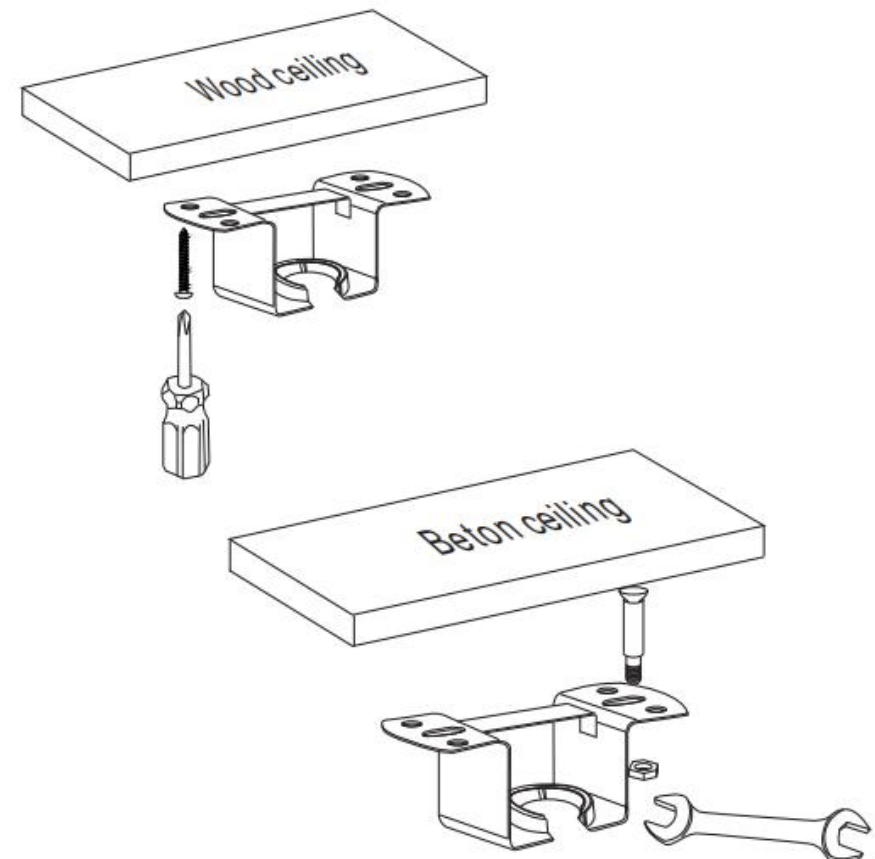
- 1) Check main and branch circuit fuses or circuit breakers.
- 2) Check line wire connections to fan and switch wire connections in switch housing.
- 3) Check to make sure the dip switches from the transmitter and receiver are set on the same frequency.



ASSEMBLY INSTRUCTIONS

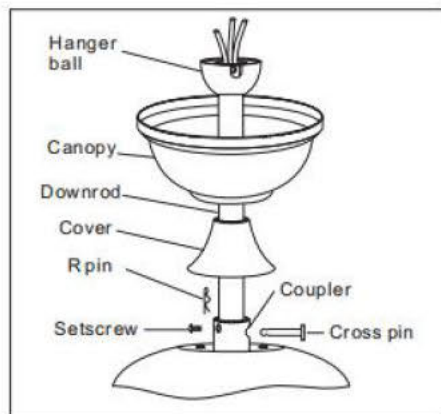
Installing Hanger bracket

Secure the hanger bracket to the ceiling joist or suitable piece of timber inserted between the ceiling joists. The bracket should be attached with two long screws supplied.

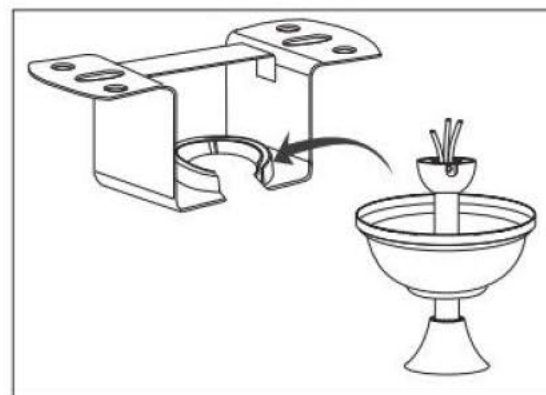




Remove the R-pin and Cross pin from downrod. Thread the wires through the downrod, and insert the Downrod into the Coupler.

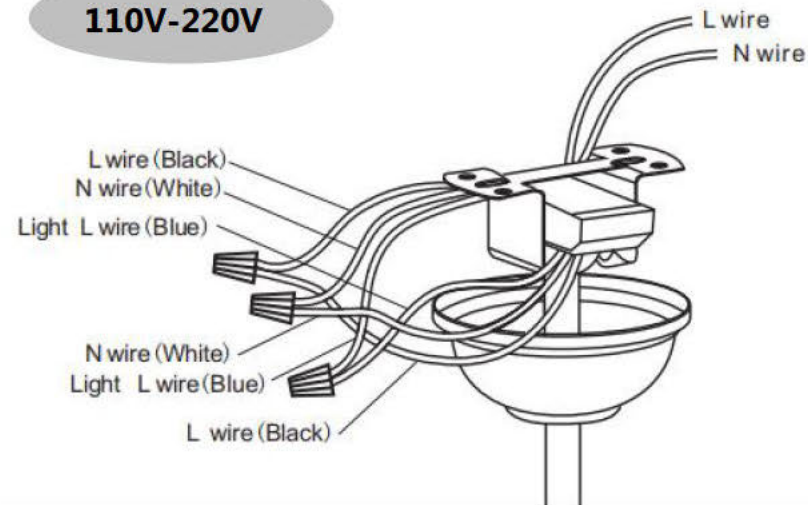


Loose the two setscrews in the downrod support. Return installing the Cross pin and secure with the R-pin.



Carefully lift fan assembly into hanger bracket that is just attached to the outlet box. Be sure the groove in the ball is lined up with tab on the hanger bracket.

110V-220V



After wiring, attach the canopy to the hanger bracket by pushing up and twisting to locate screws in key holes then tighten screws securely.