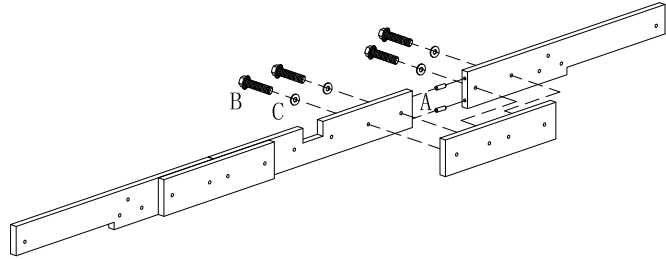


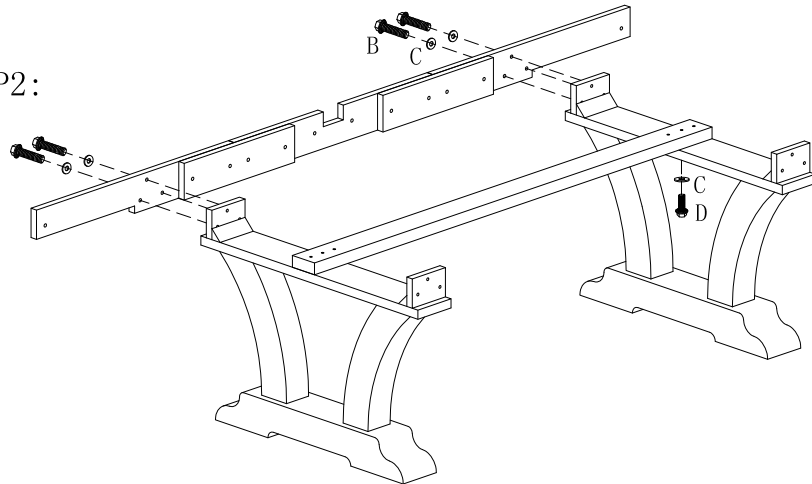
#7225-ADDISON TABLE TENNIS

Assembly Instruction

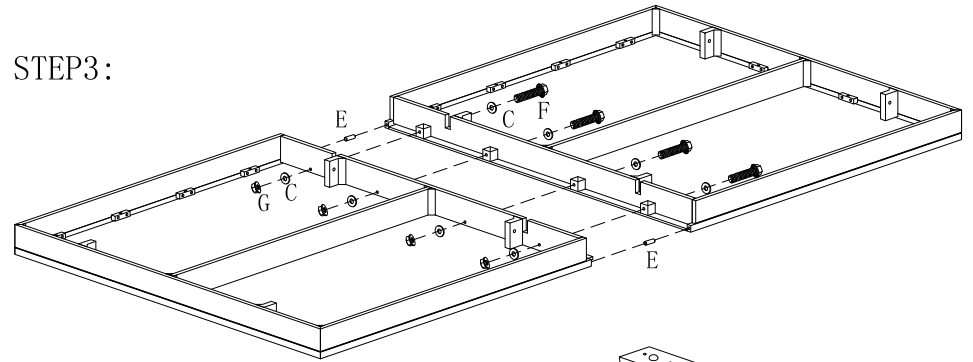
STEP1:



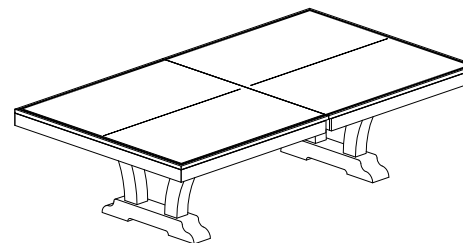
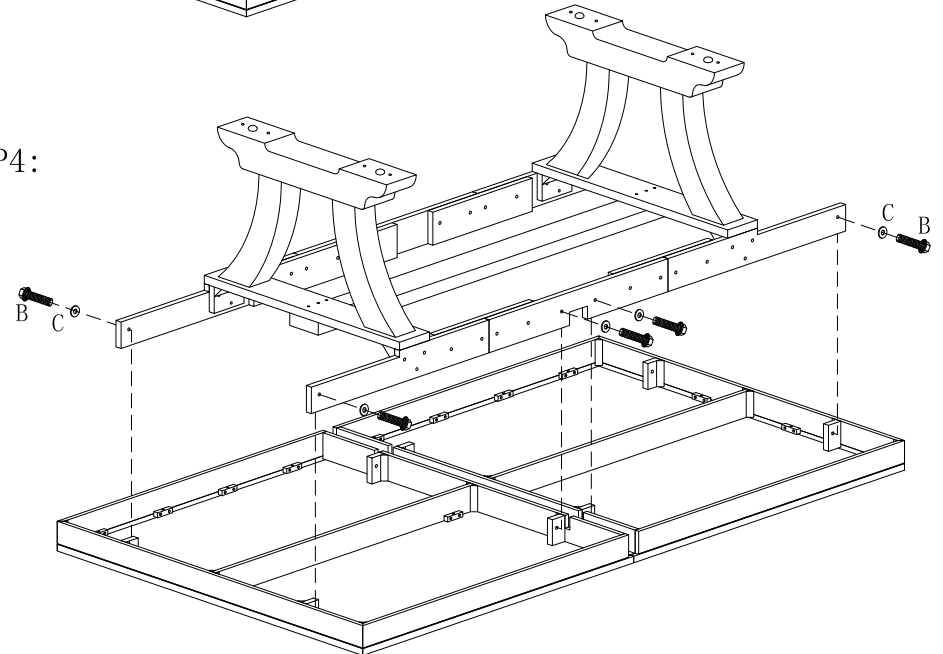
STEP2:



STEP3:



STEP4:



NO	NAME	SIZE	PCS	DRAW
A	DOWEL	Φ10mmx30mm	8	
B	FLANG BOLT	Φ5/16"X2"	36	
C	WASHER	Φ5/16" x3/4"X2mm	50	
D	FLANG BOLT	Φ5/16"X2-1/4"	6	
E	DOWEL	Φ8mmx20mm	2	
F	FLANG BOLT	Φ5/16"X4"	4	
G	NUT	Φ5/16"	4	