













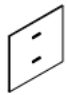



Attention : Don't tighten the screw before all screws are in place

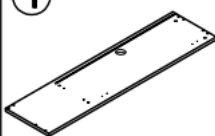










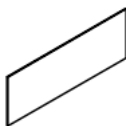
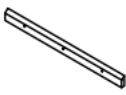
USER' S MANUAL

**TV cabi net
10CZSMHGS0652**

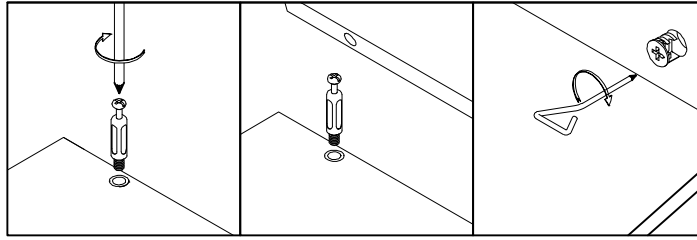
Hardware List

(A)  28PCS (M6*40)	(B)  5PCS (M6*28)	(C)  12PCS (M8*40)	(D)  41PCS (ø12*15)	(E)  41PCS
(F)  4PCS (M8*60)	(G)  4PCS	(H)  12PCS	(I)  3PCS	(J)  2PCS
(K)  1PCS	(L)  2PCS	(M)  3PCS	(N)  4PCS	(O)  2PCS
 1PC				

Panel List

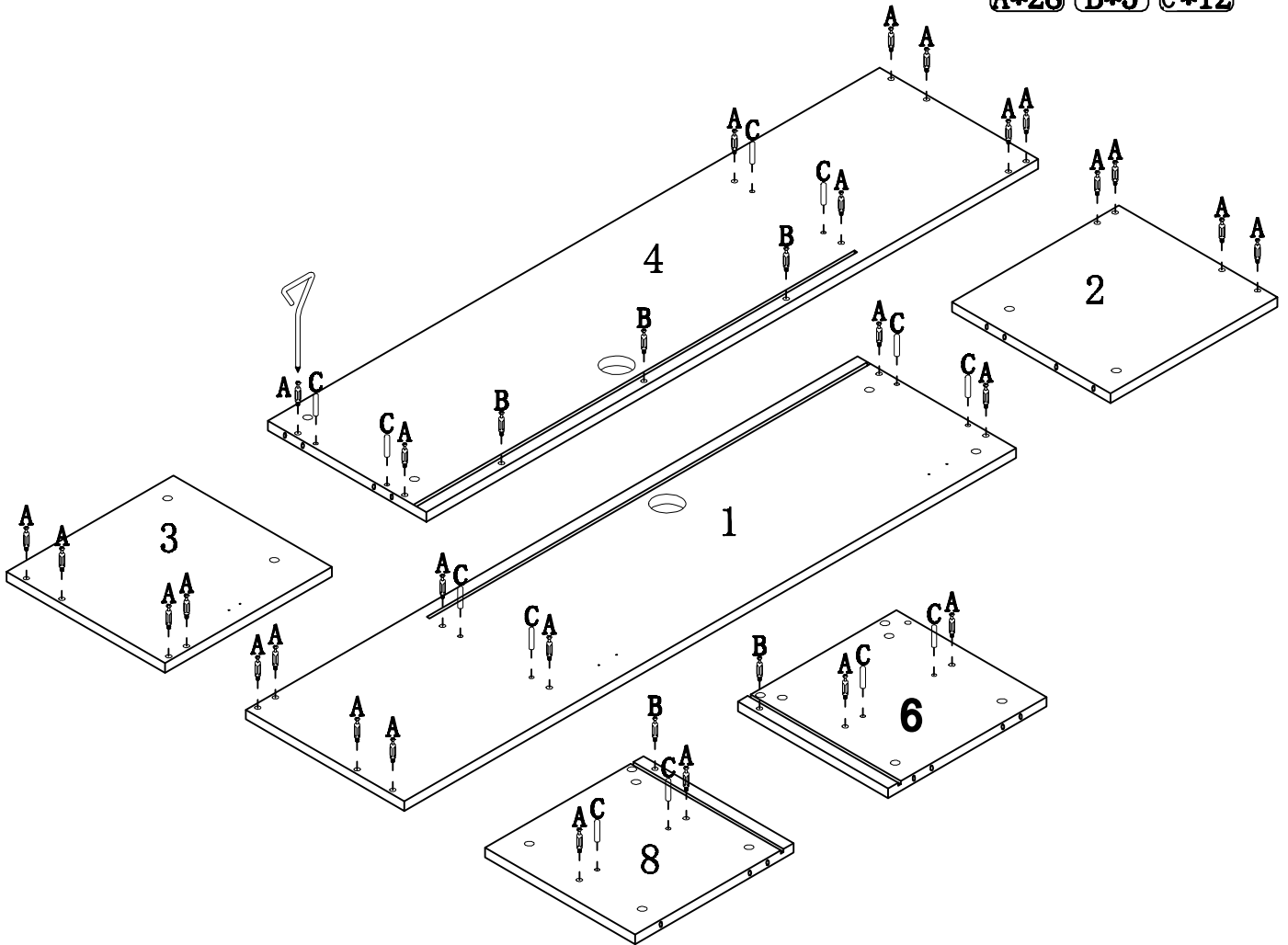
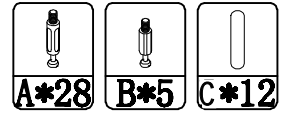
(1)  1PC	(2)  1PC	(3)  1PC	(4)  1PC	(5)  2PC
(6)  1PC	(7)  2PCS	(8)  1PC	(9)  1PC	(10)  1PC
(11)  1PC	(12)  1PC	(13)  1PC		

Assembling the unit with camlocks and wood dowels

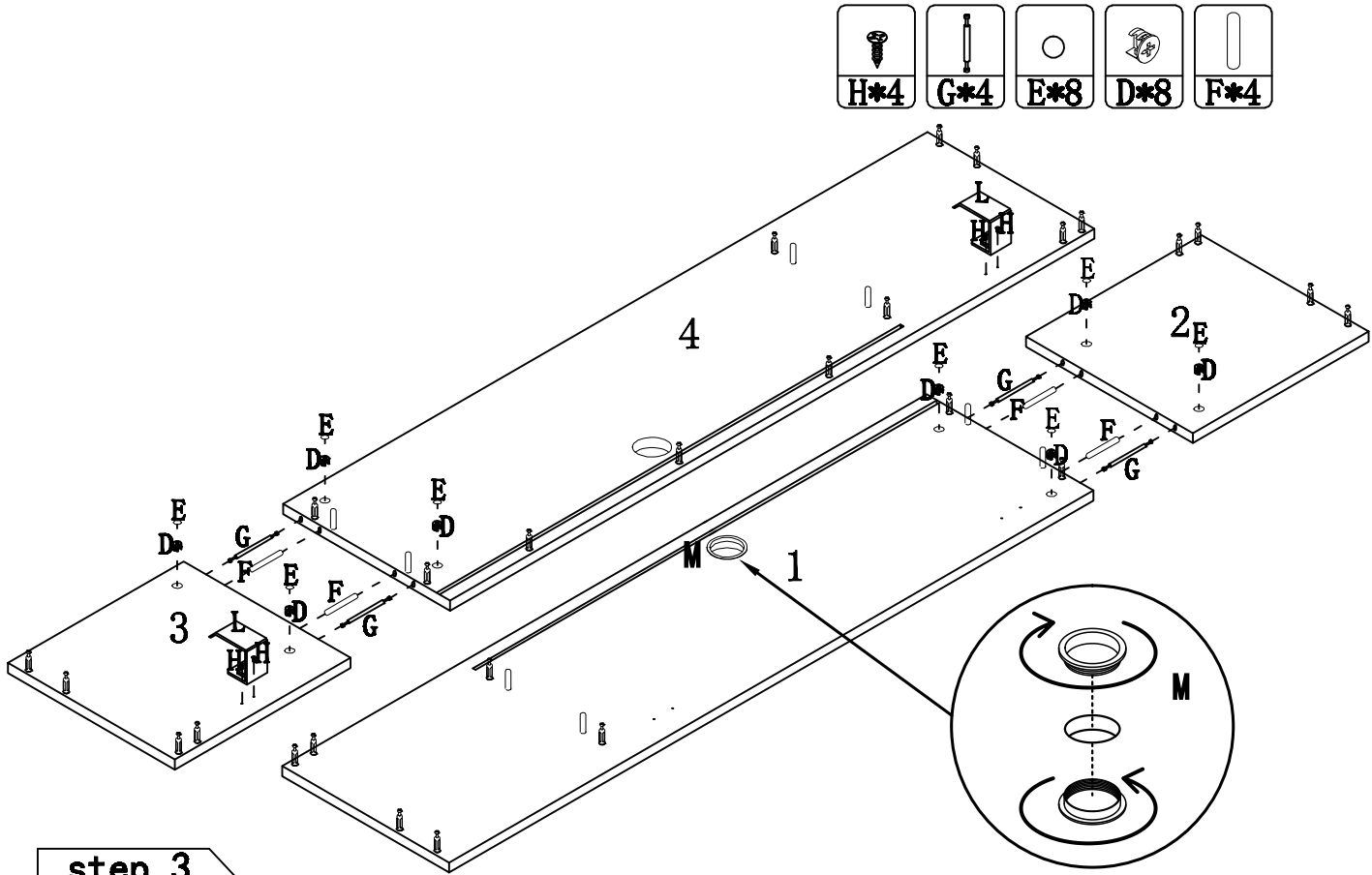


Assembly instructions

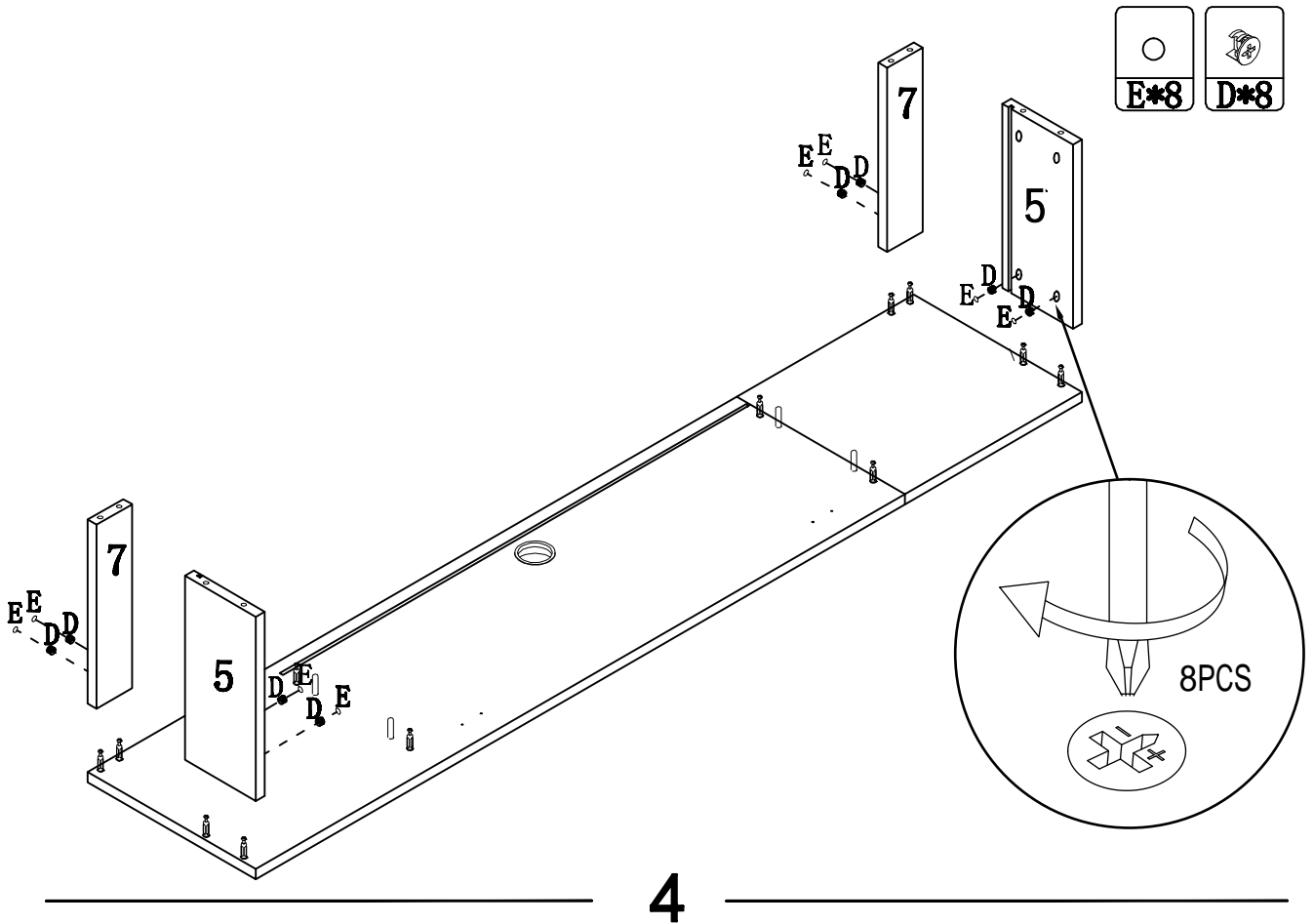
step 1



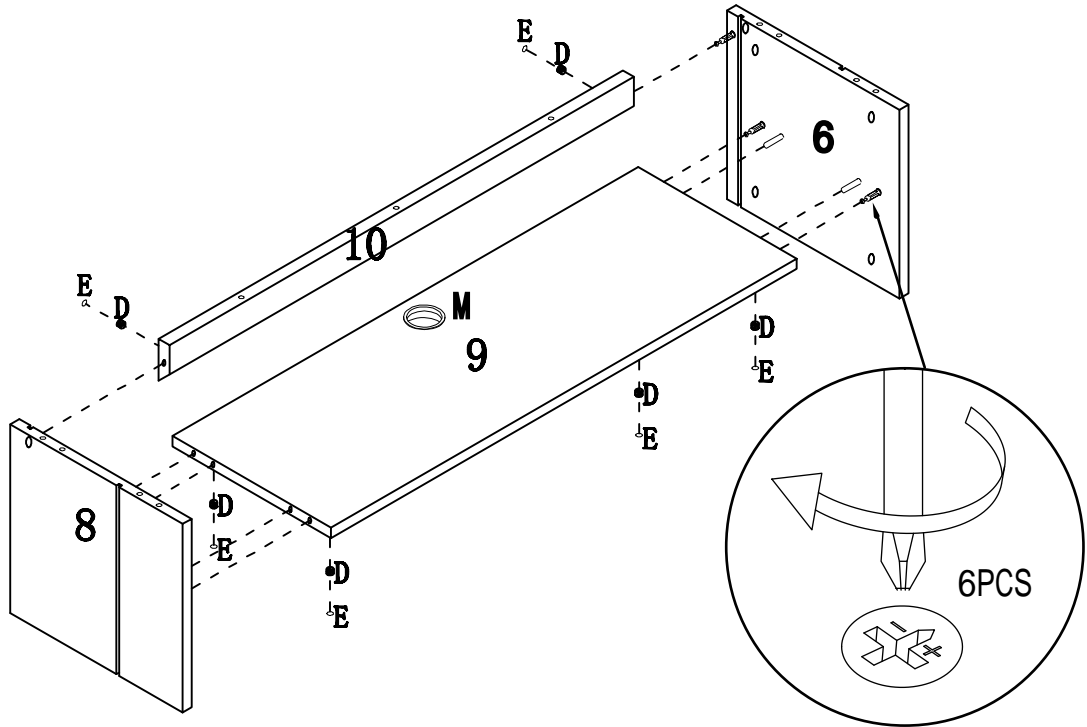
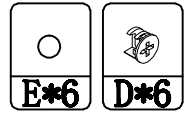
step 2



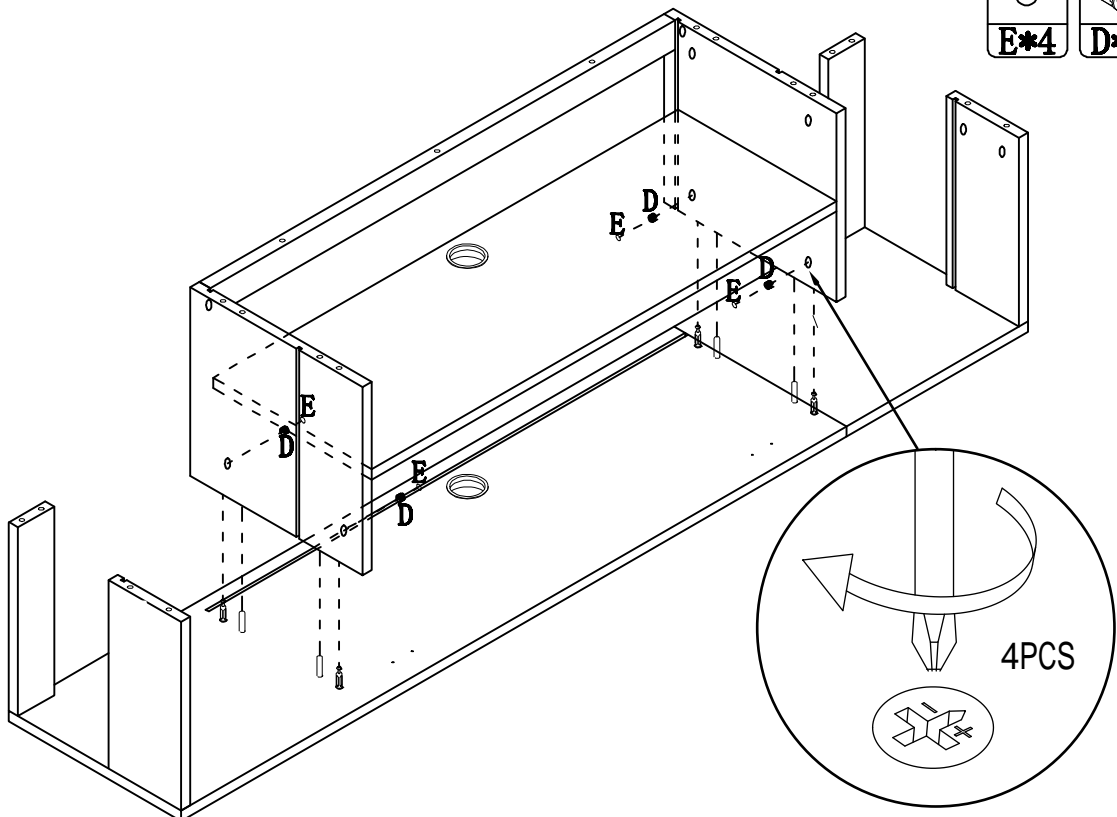
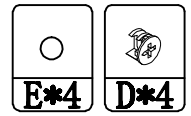
step 3



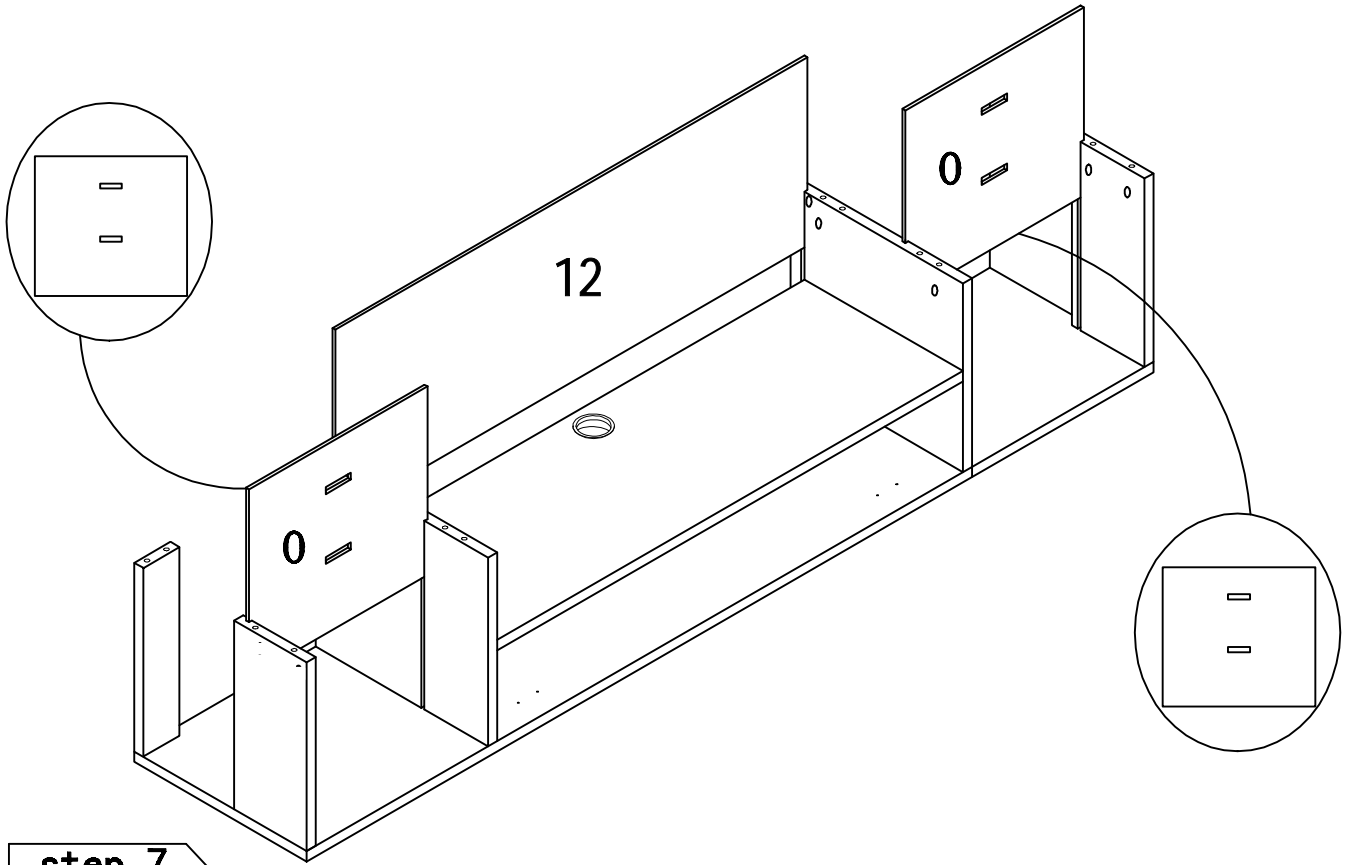
step 4



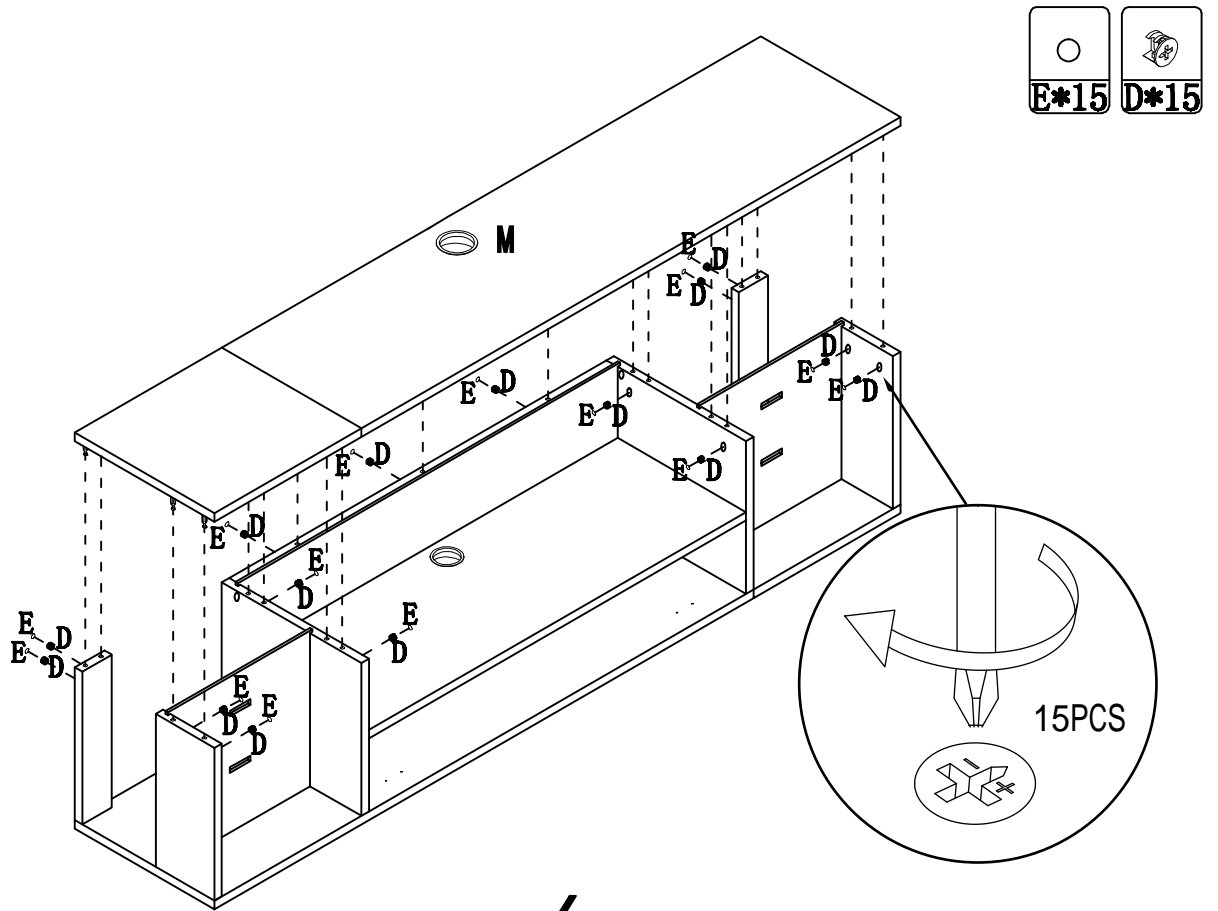
step 5



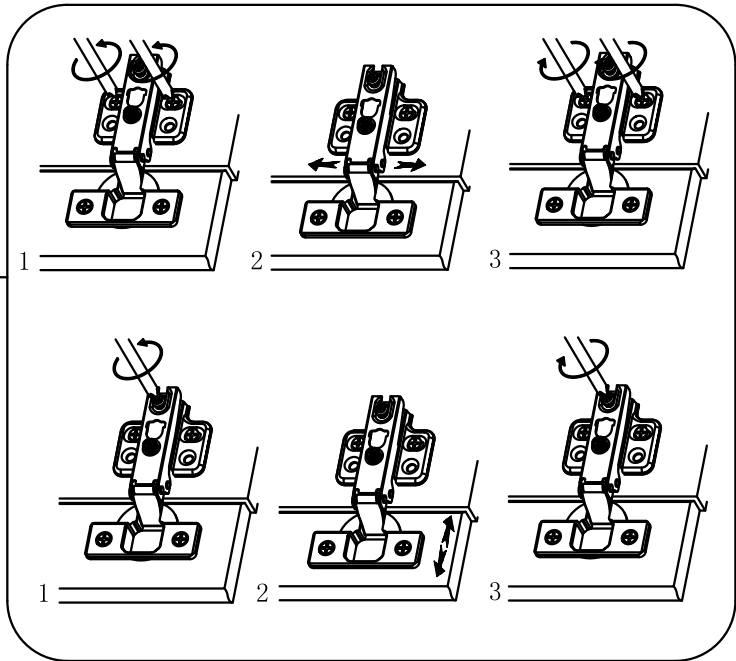
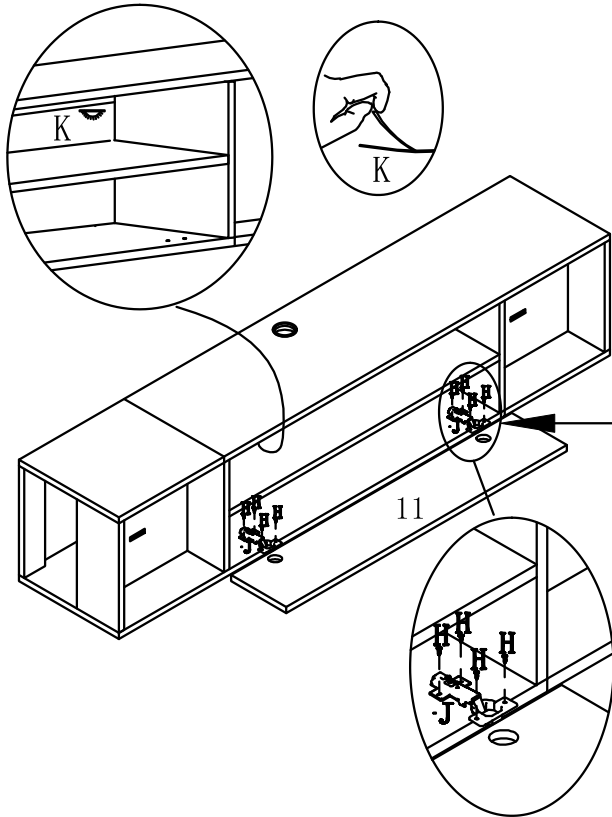
step 6



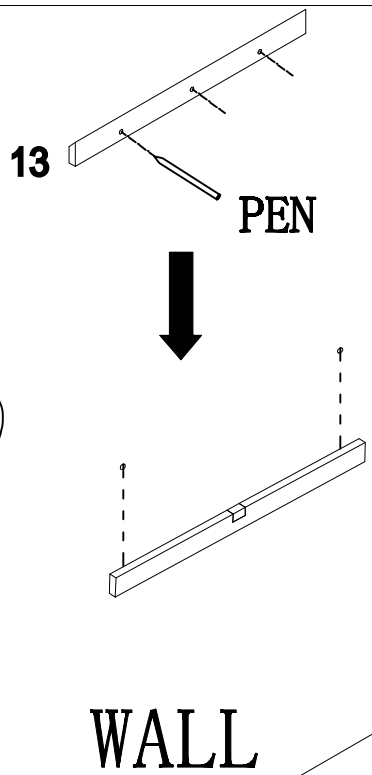
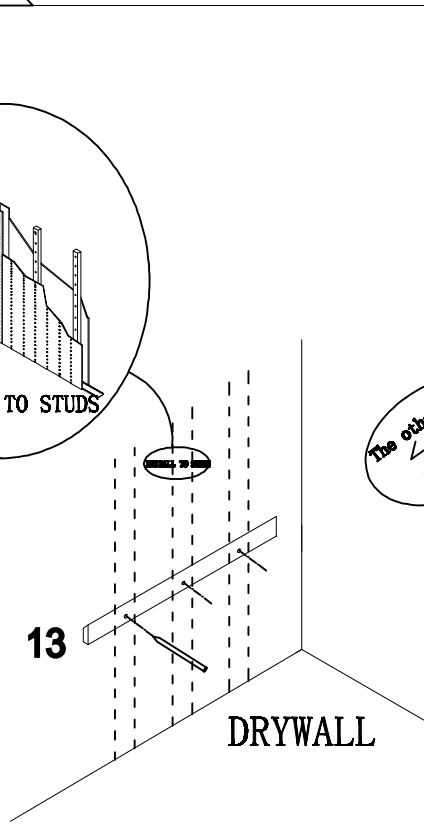
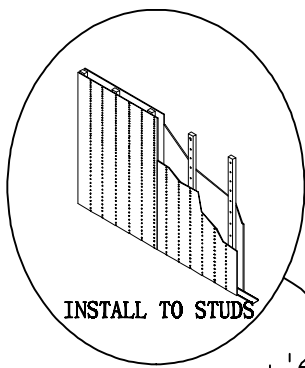
step 7



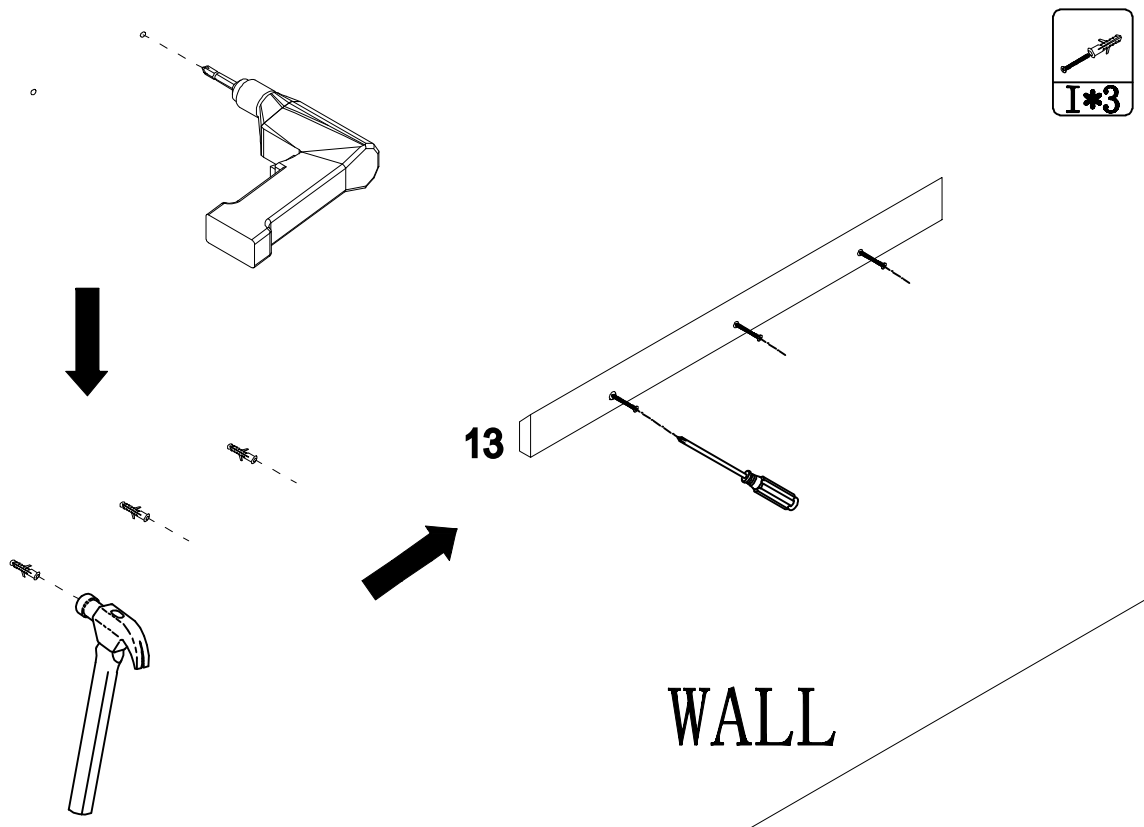
step 6



step 7



step 8



step 9

