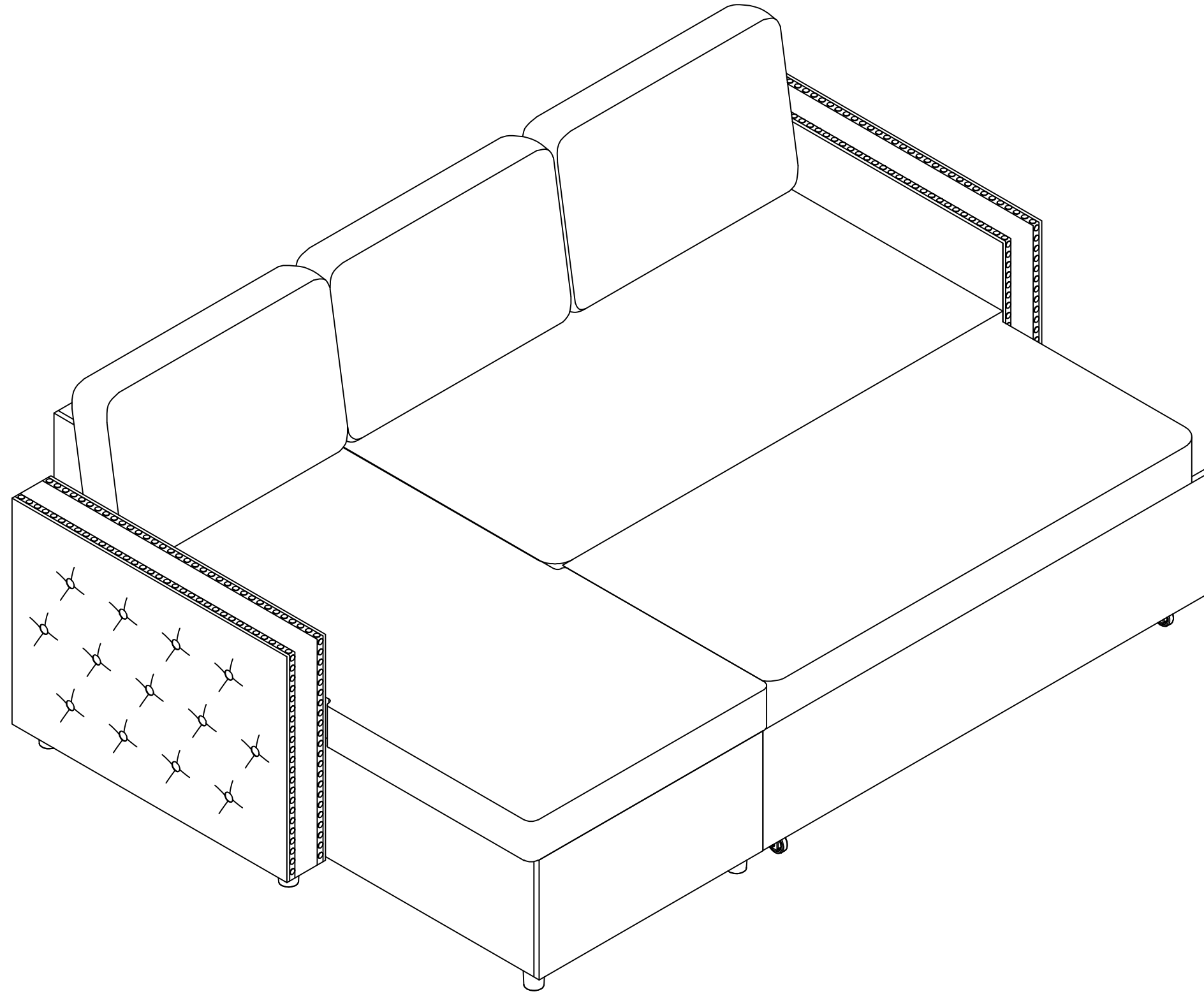
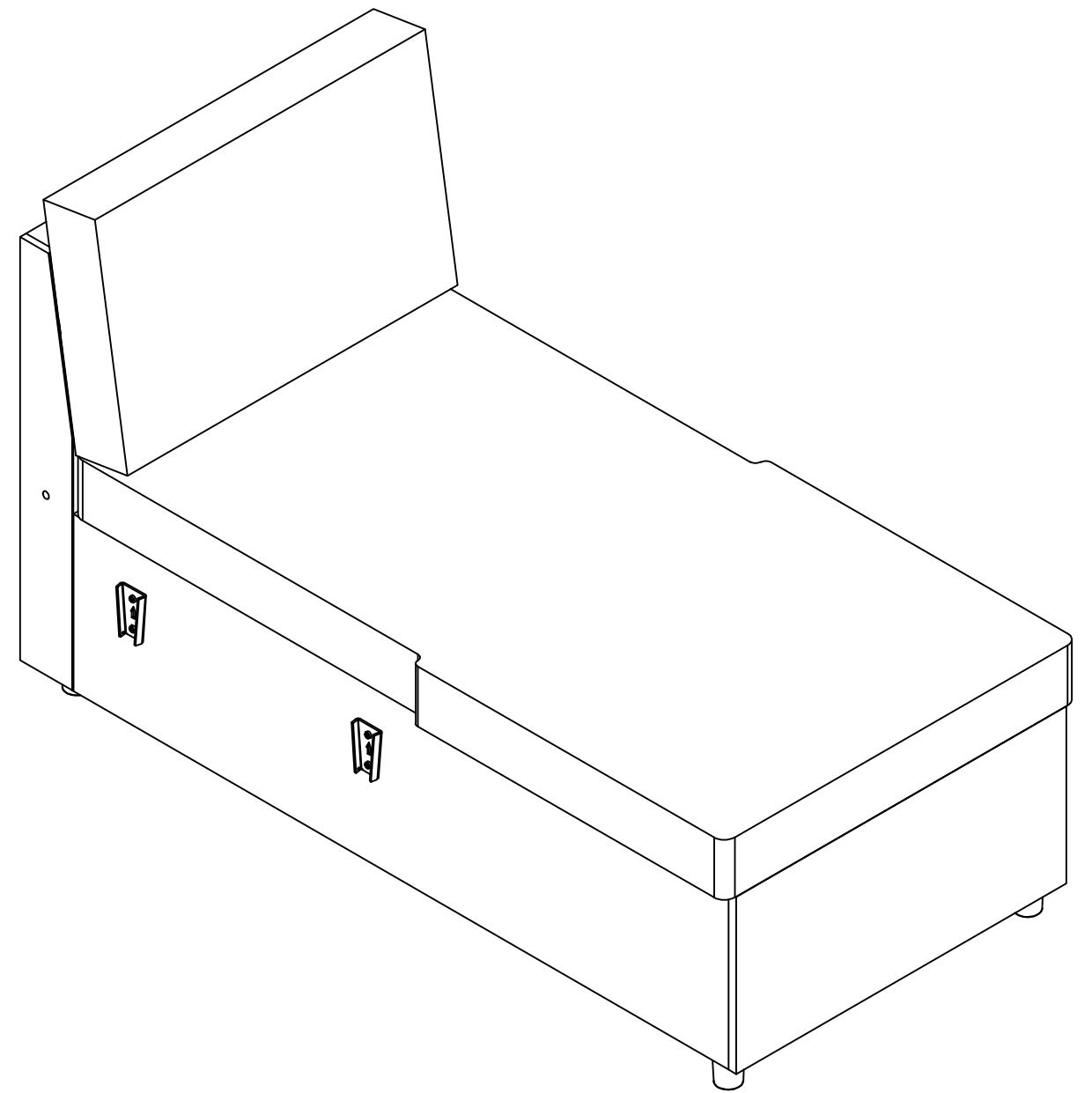
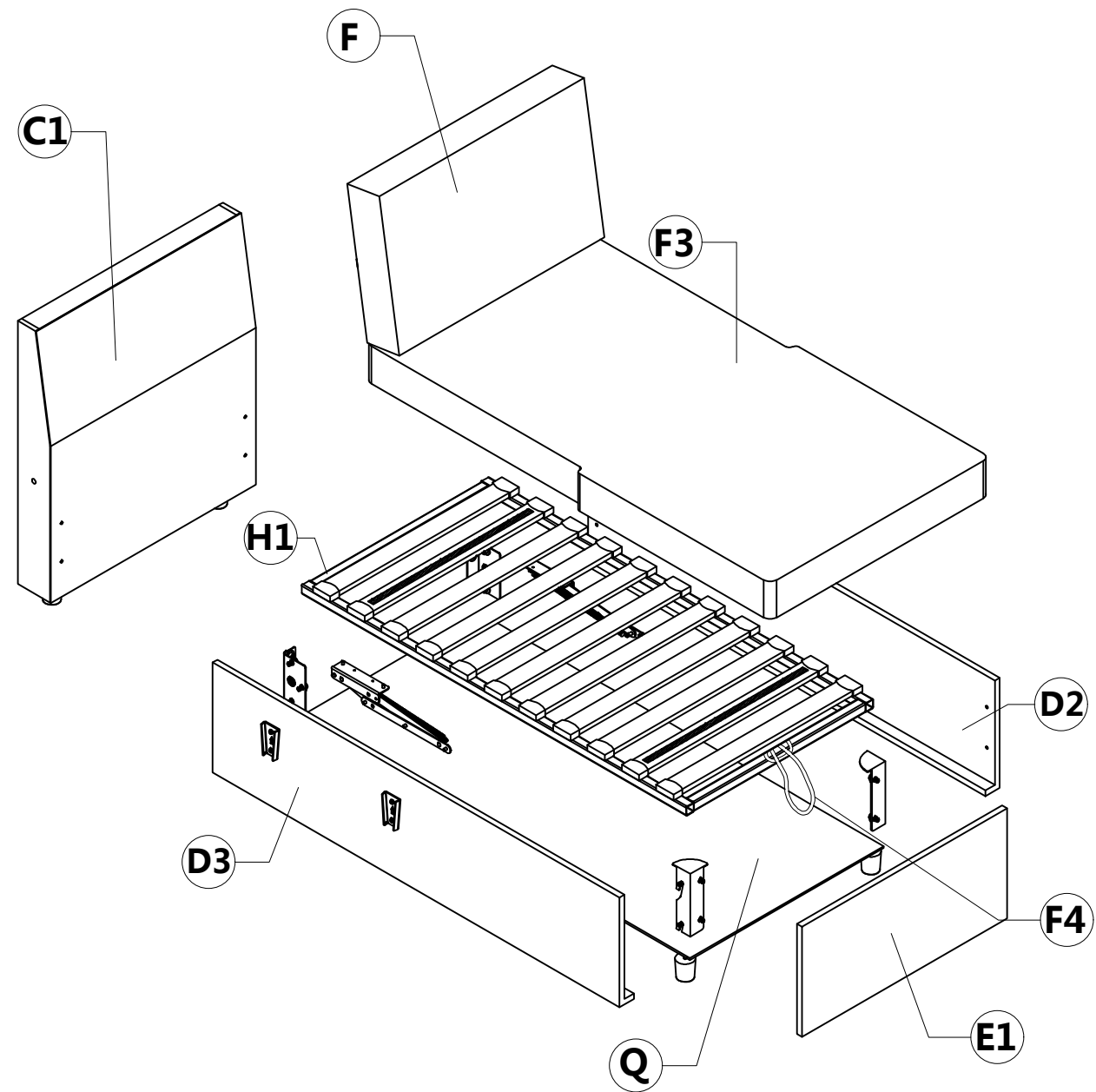


Installation & Assembly

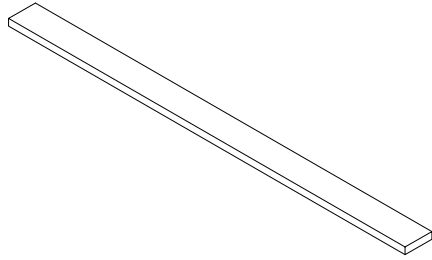


CHAISE



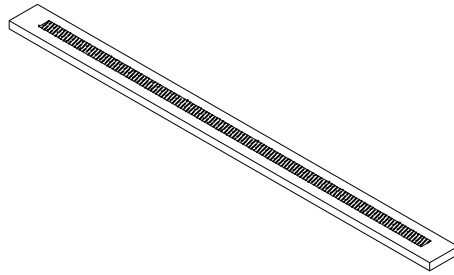
Main Structure Accessories

A



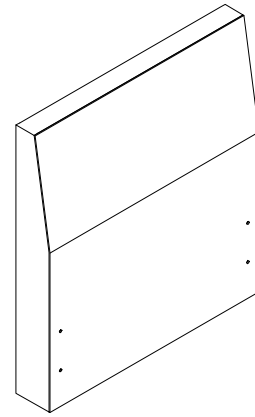
9pcs

A1



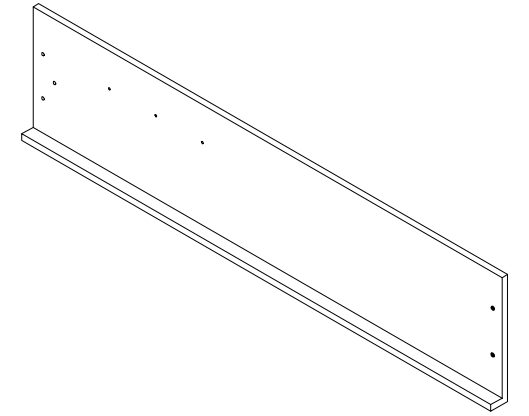
2pcs

C1



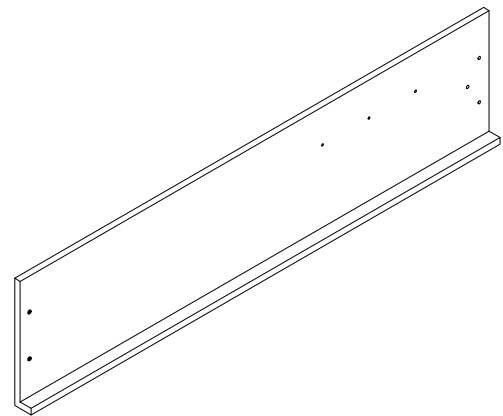
1pc

D2



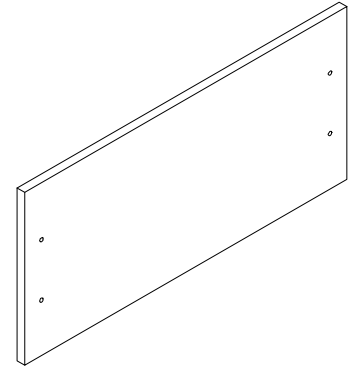
1pc

D3



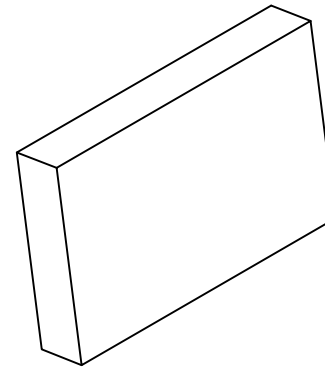
1pc

E1



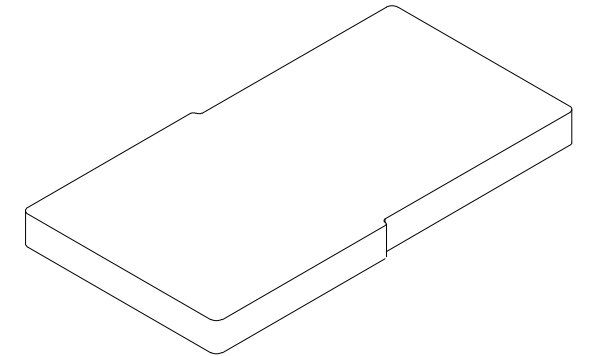
1pc

F



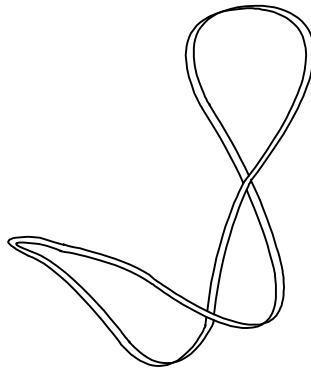
1pc

F3



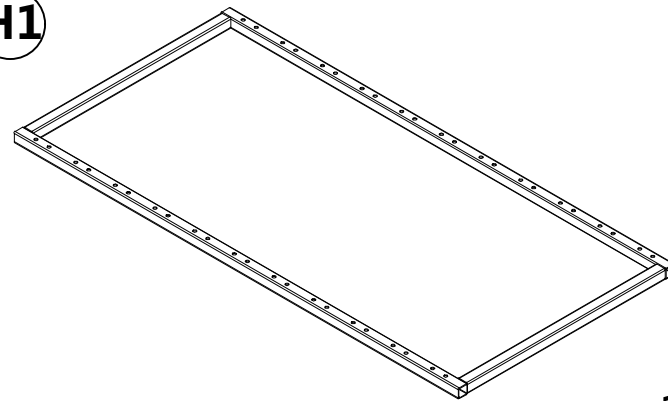
1pc

F4



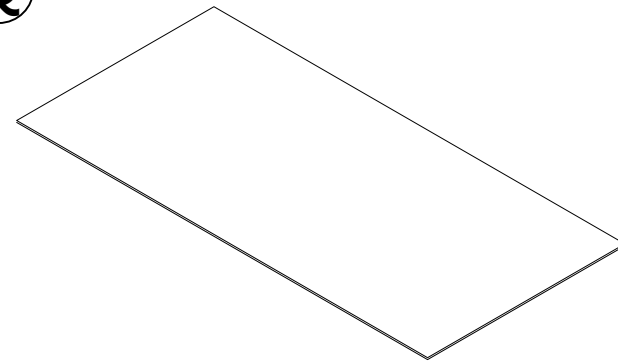
1pc

H1



1pc

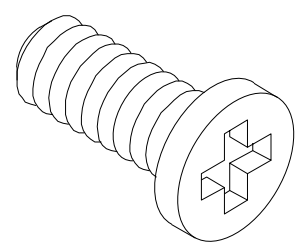
Q



1pc

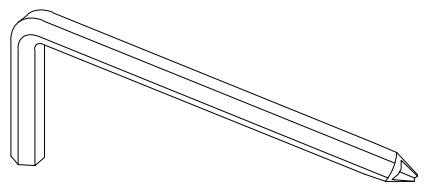
Hardware Parts

V



M6X17mm 10pcs

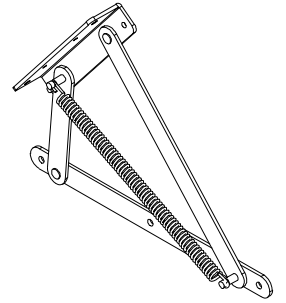
P



M8 Spanner 1pc

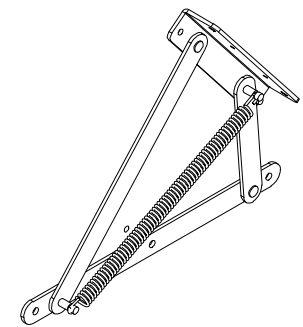
Structural Accessories

L



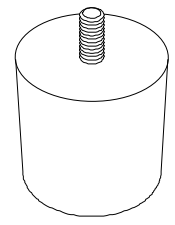
1pc

L1



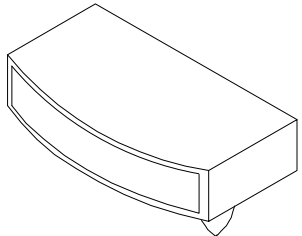
1pc

M



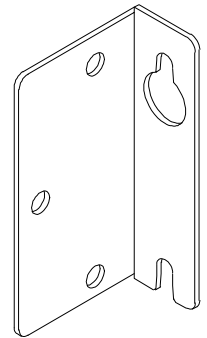
4pcs

O



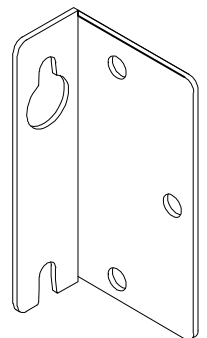
22pcs

W



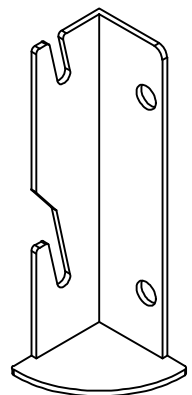
1pc

X



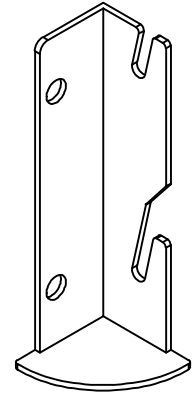
1pc

W1



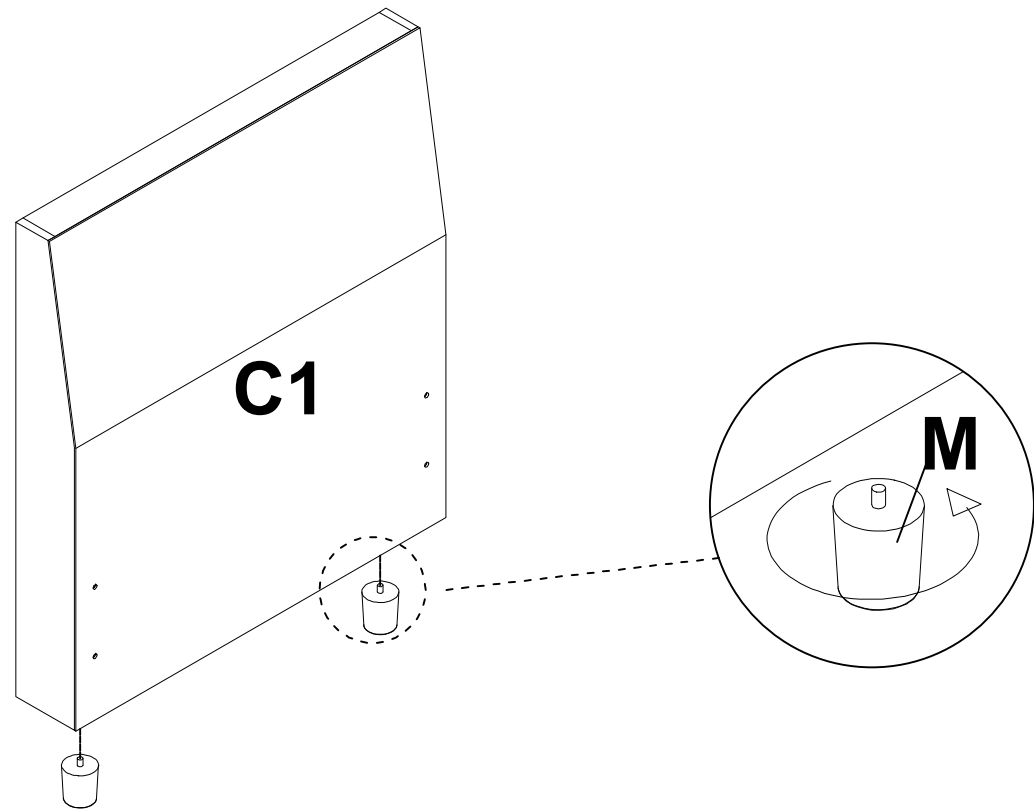
1pc

X1



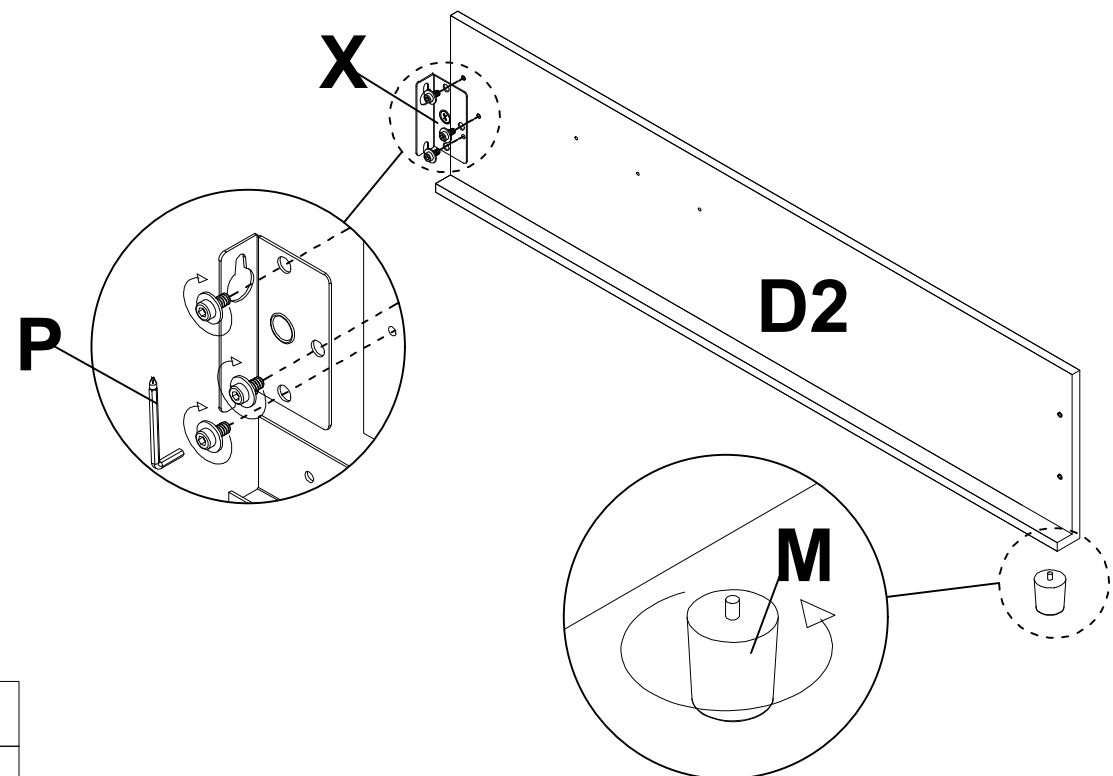
1pc

STEP 1



STEP 2

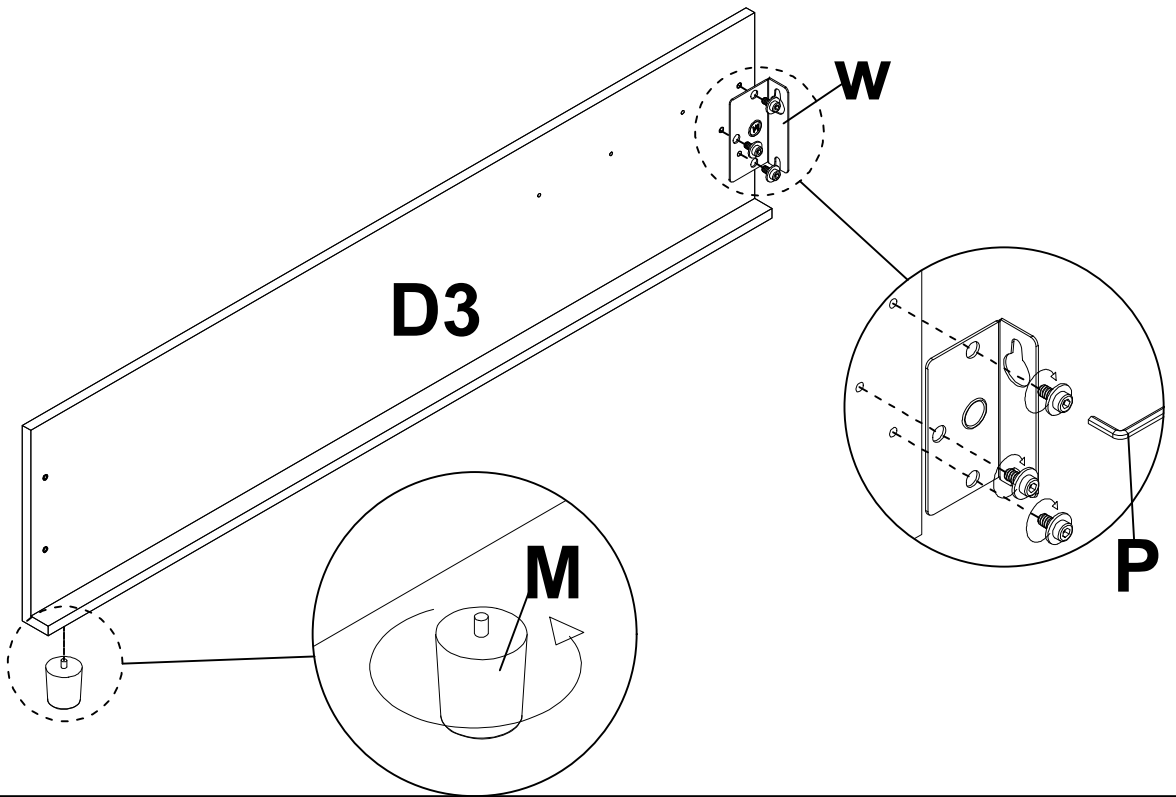
First loosen the screws ,then install the bracket, locken the screws later



	X x 1pc
	P x 1pc

STEP 3

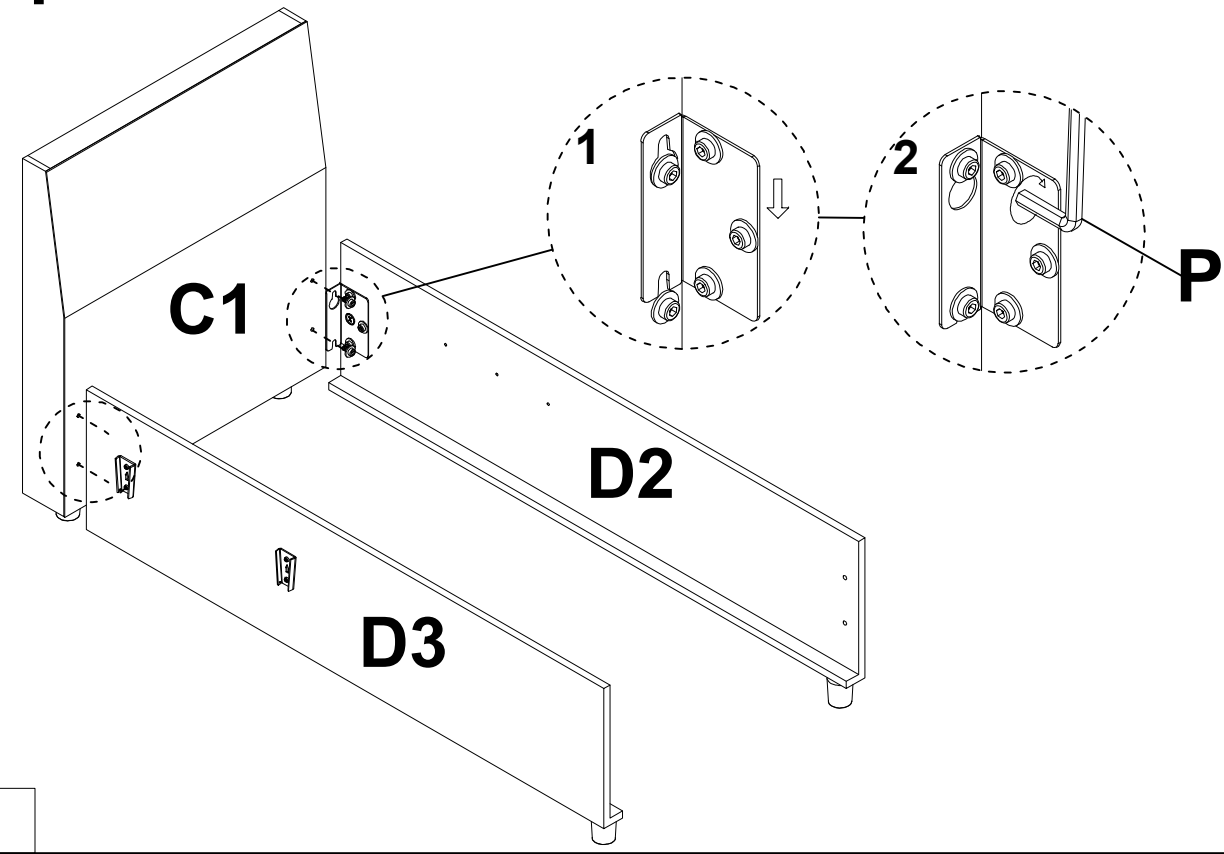
First loosen the screws ,then install the bracket, locken the screws later



	W x 1pc
	P x 1pc

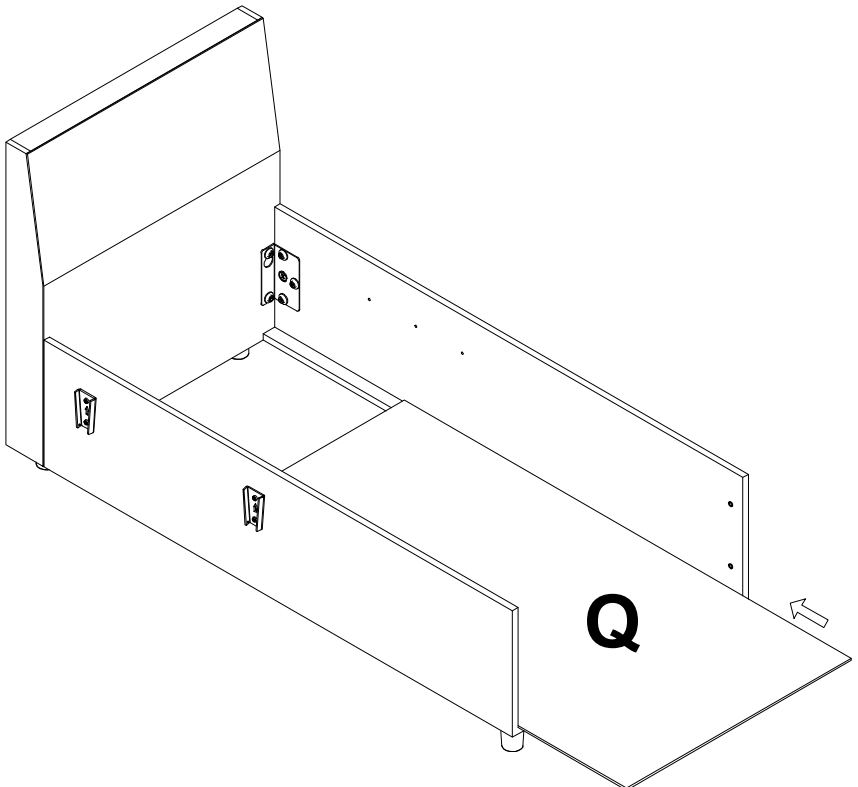
STEP 4

First loosen the screws, install the mounting plate and lock the screws

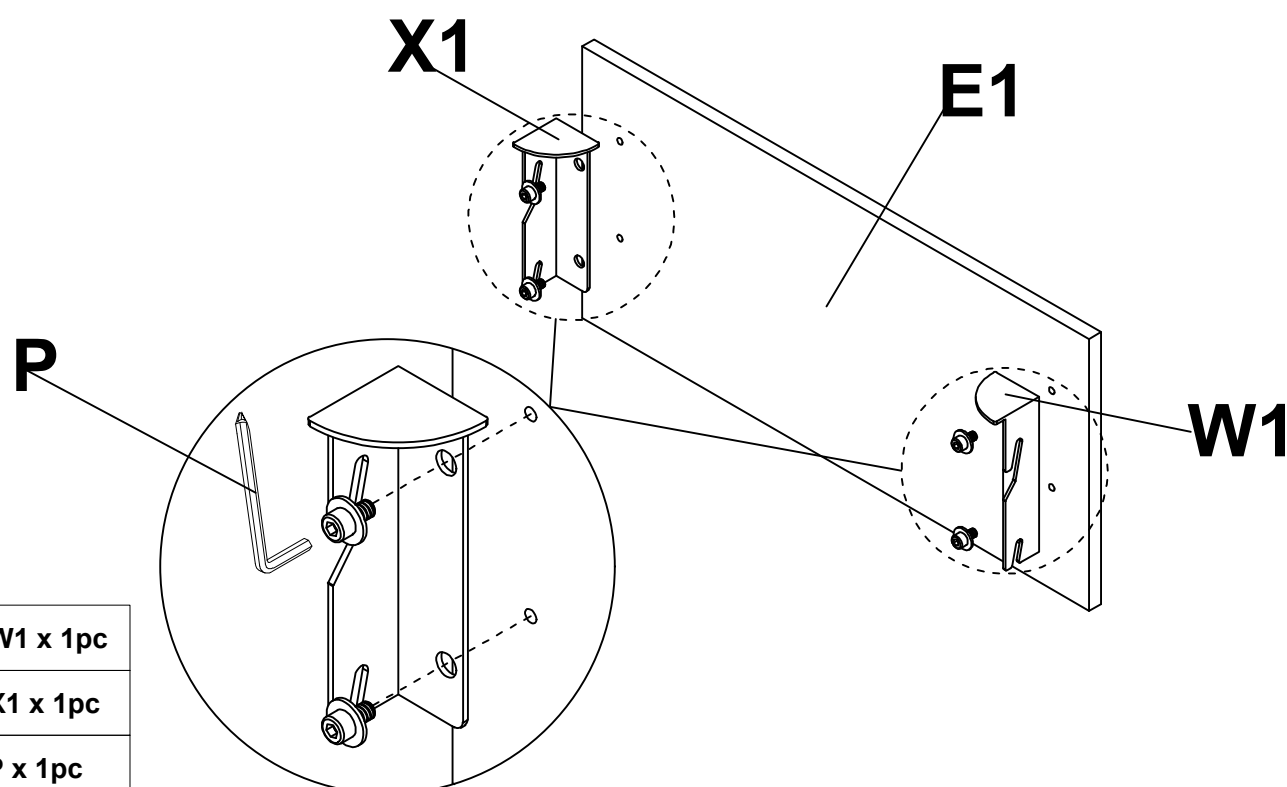


	P x 1pc
--	---------

STEP 5

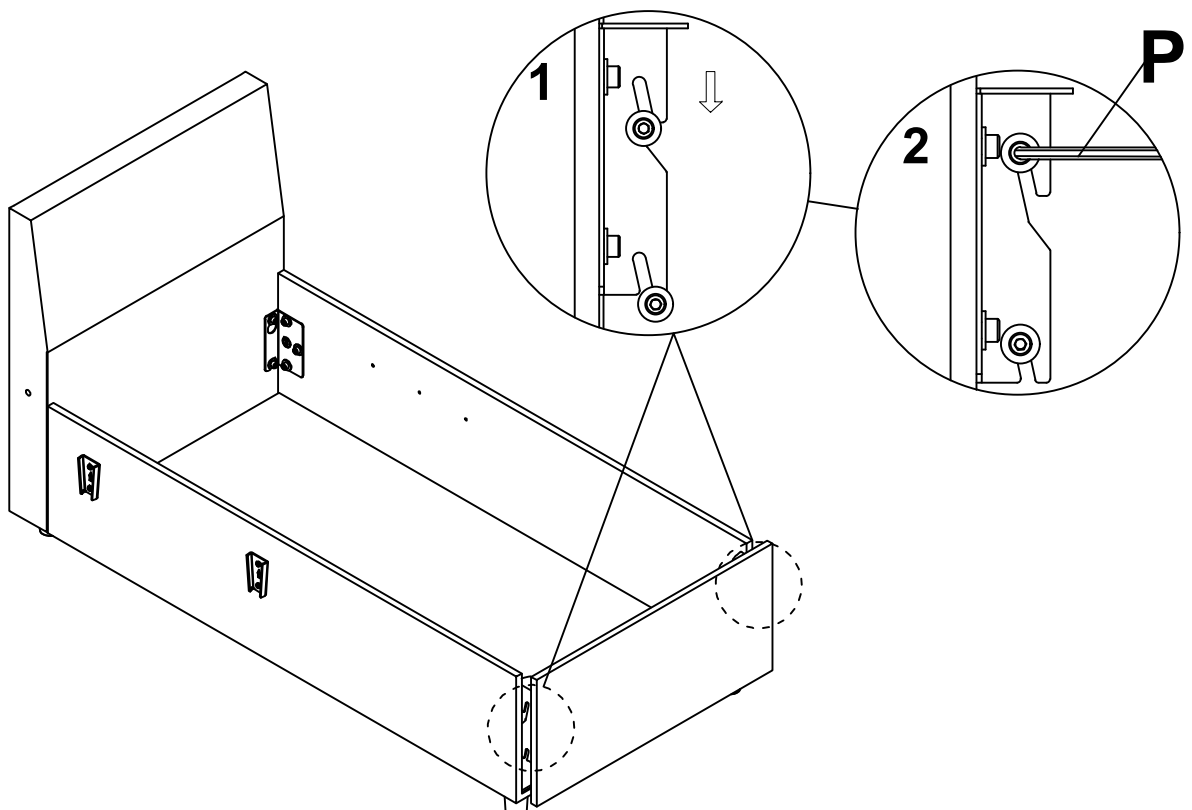


STEP 6



	W1 x 1pc
	X1 x 1pc
	P x 1pc

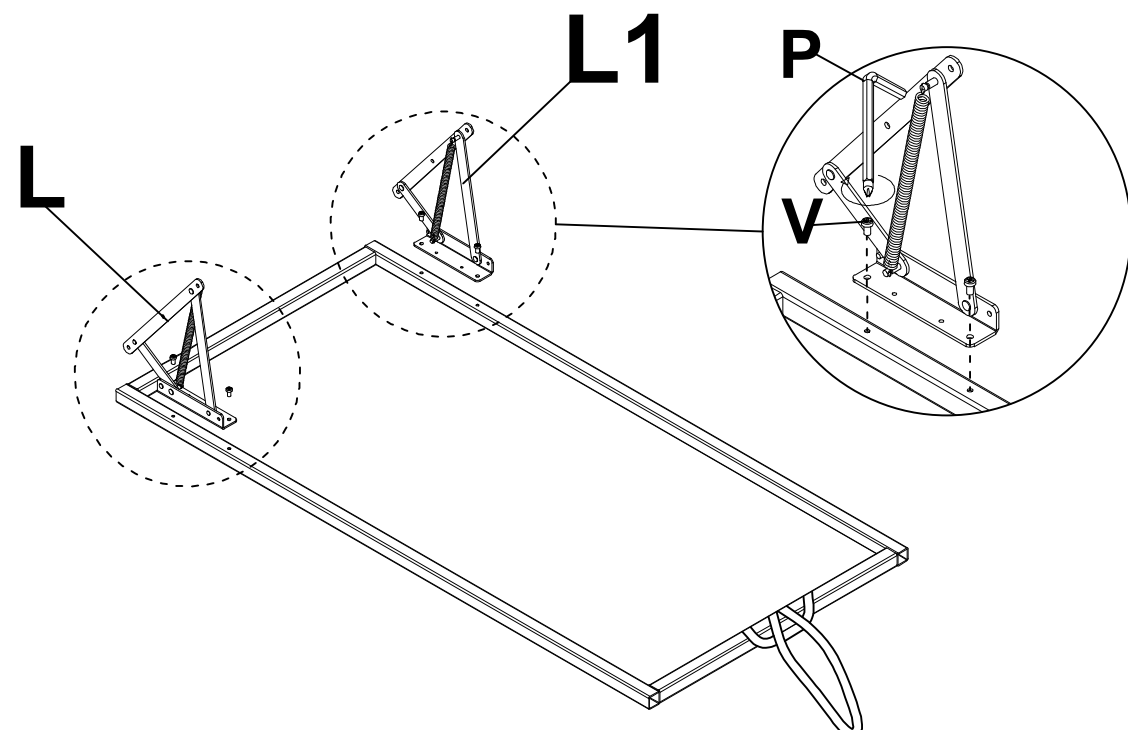
STEP 7



	P x 1pc
--	---------

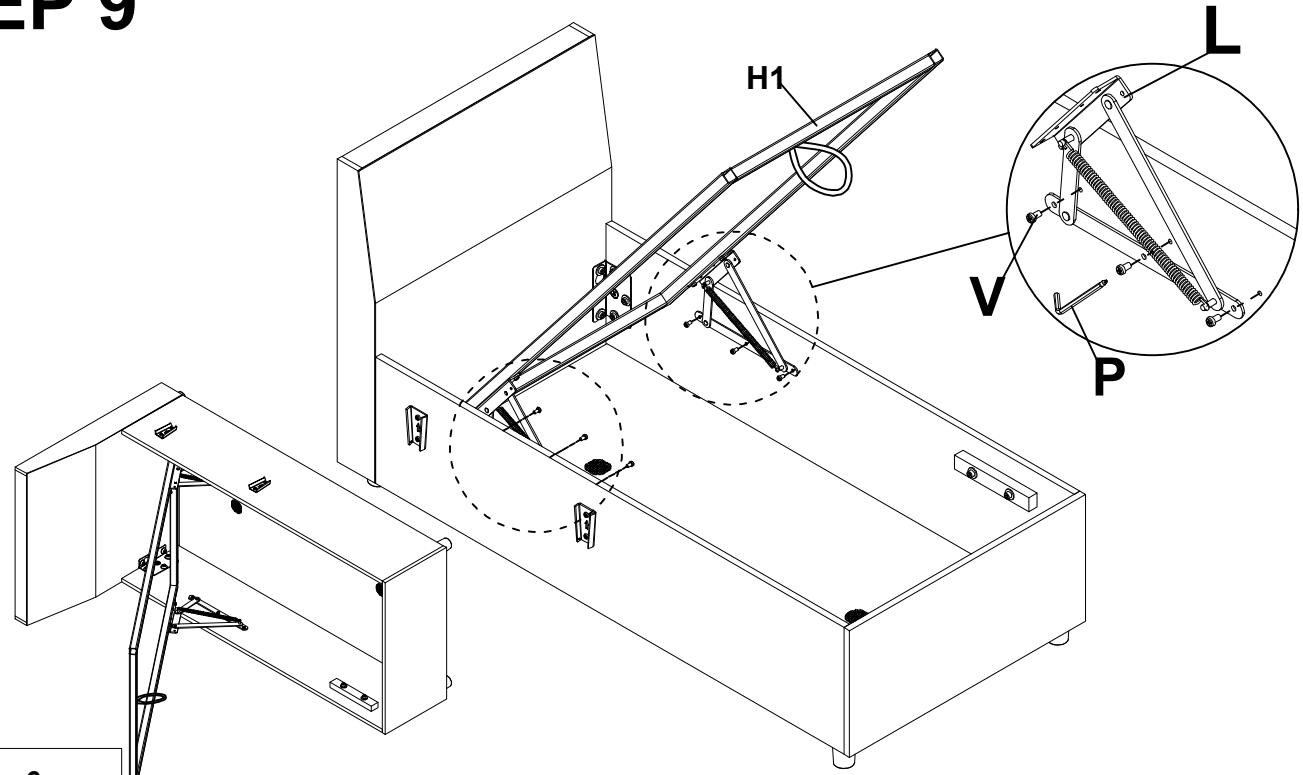
STEP 8


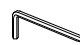
Note that accessories distinguish left and right, after installation and lock the screws



	V x 4pcs
	P x 1pc

STEP 9

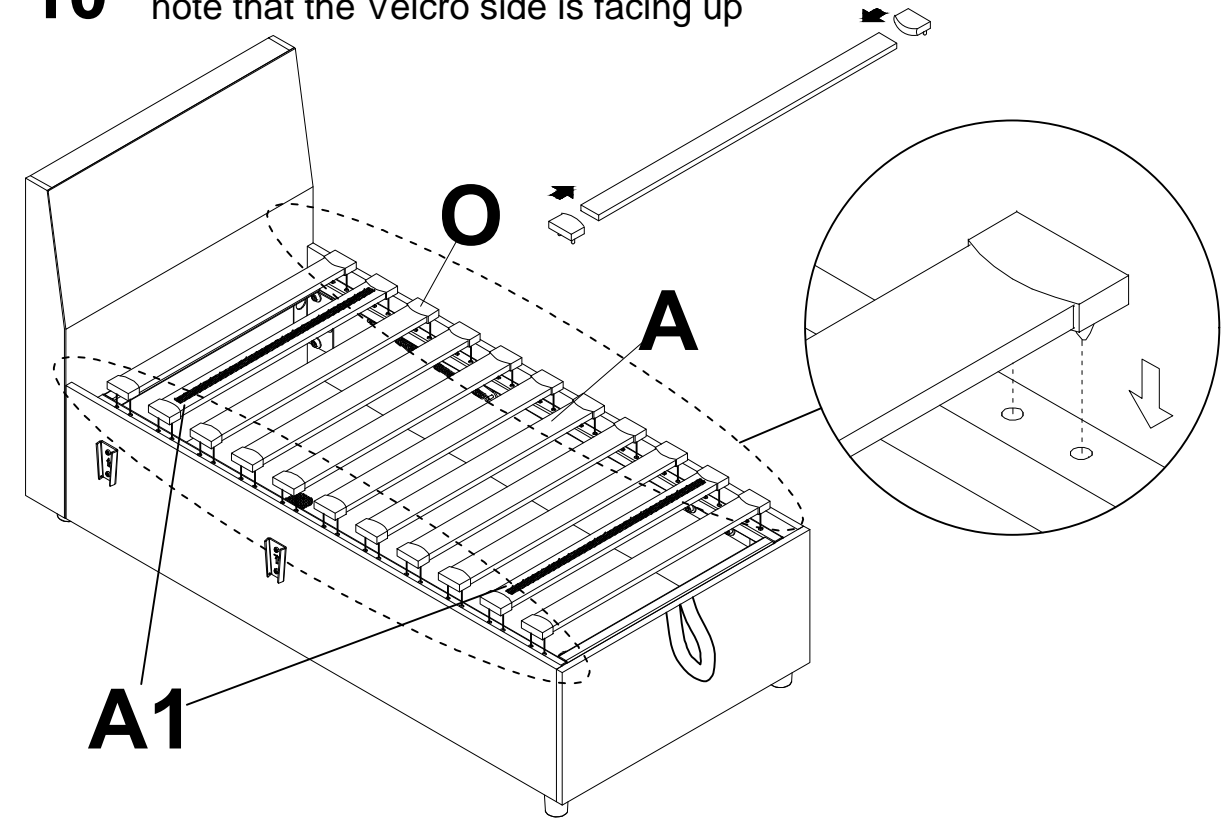


-  V x 6pcs
-  P x 1pc

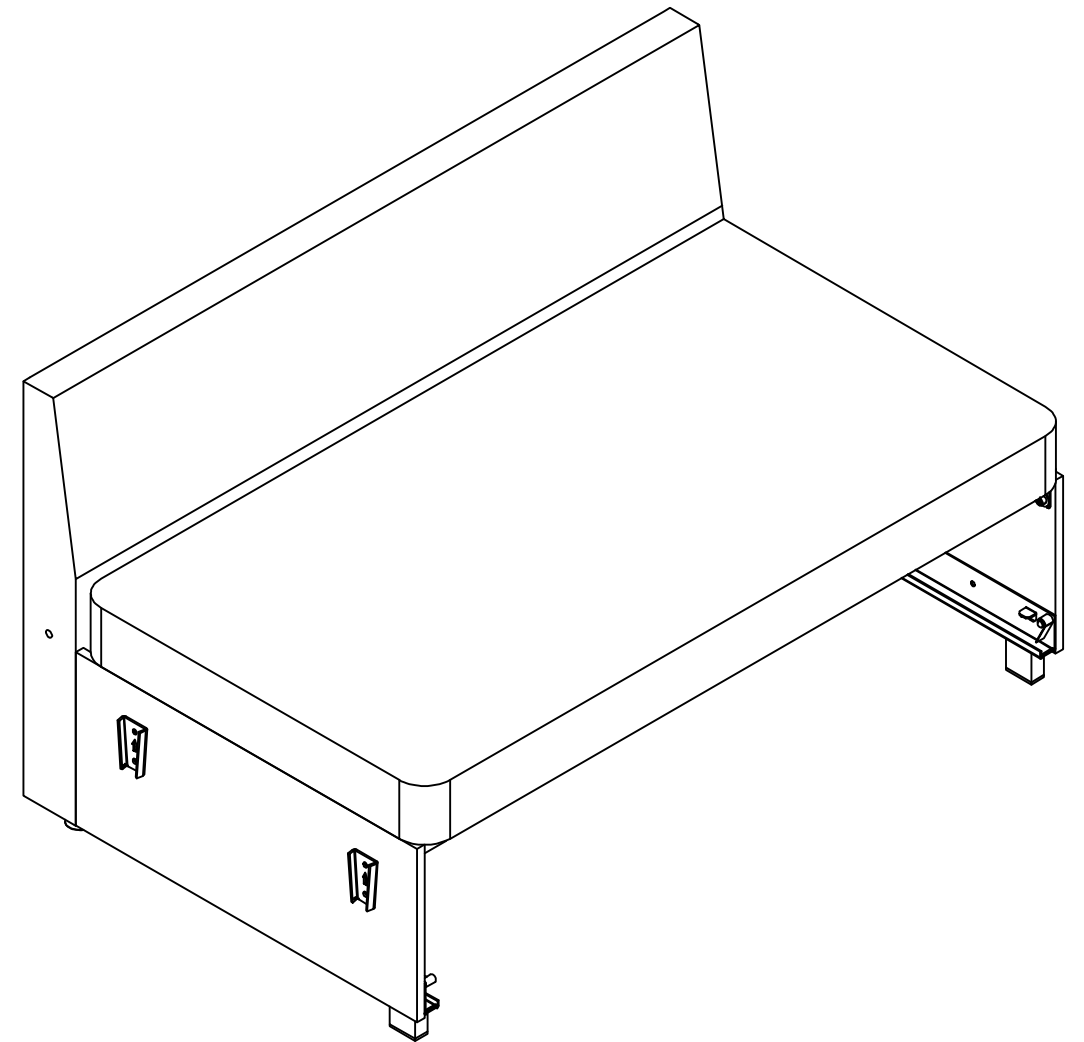
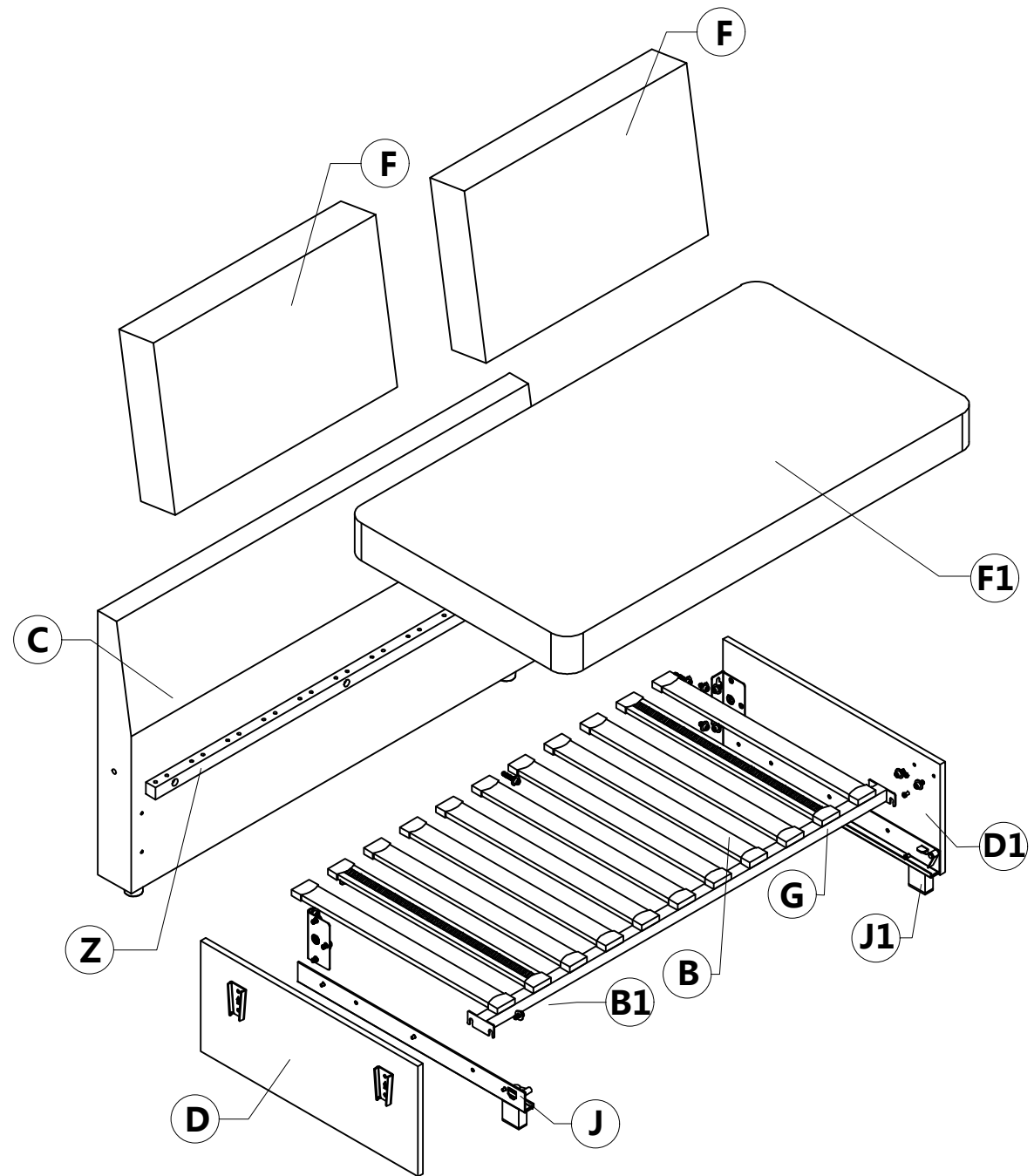
Note: Easier to install when tilted

STEP 10

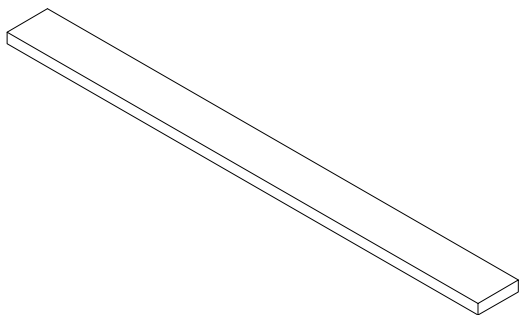
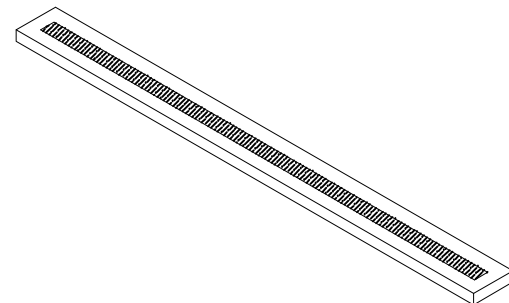
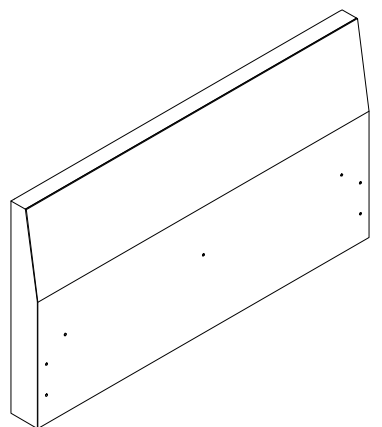
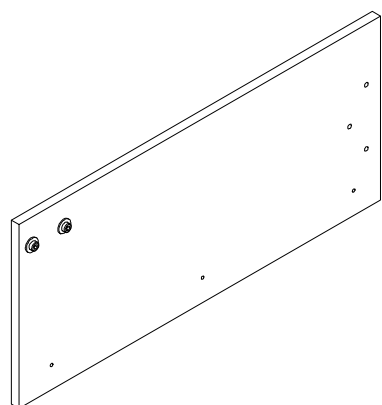
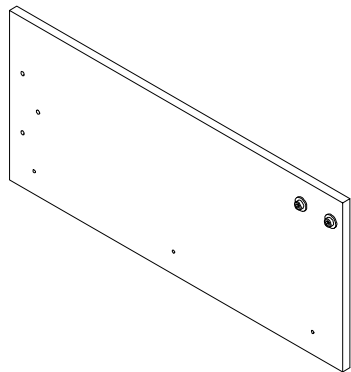
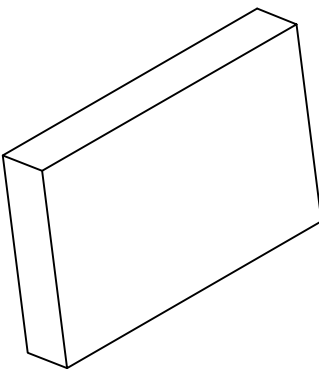
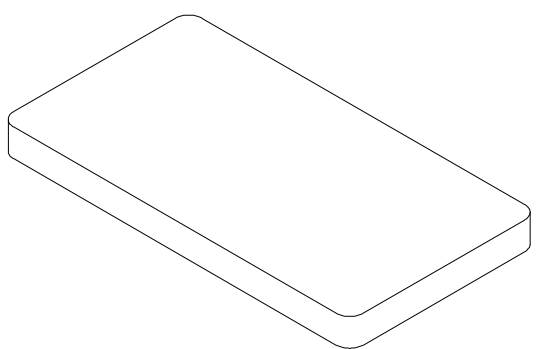
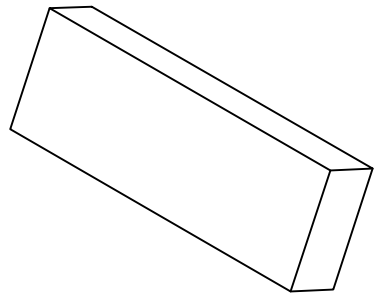
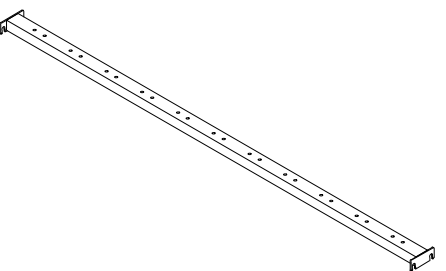
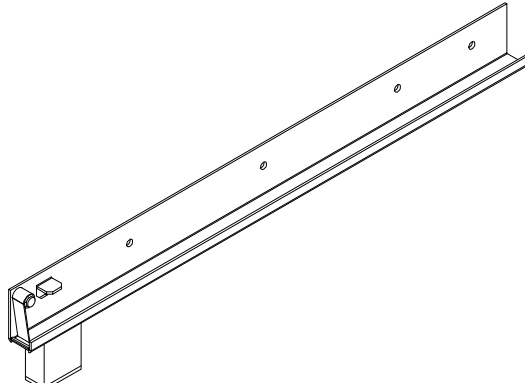
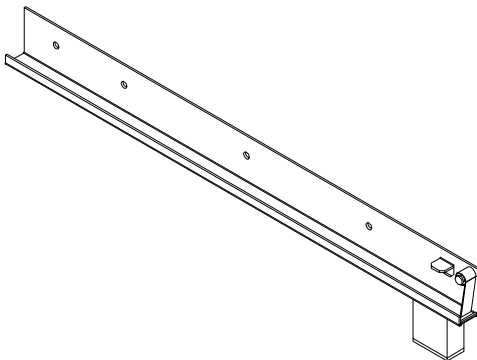
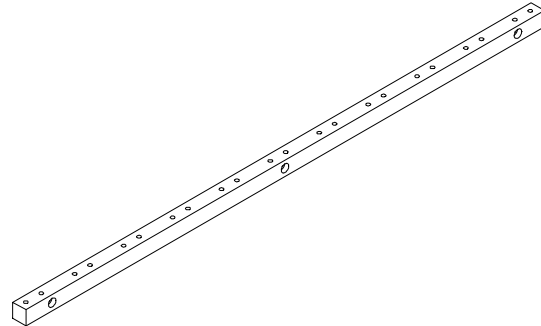
Place the A1 in the second position and note that the Velcro side is facing up



TWO SEATS

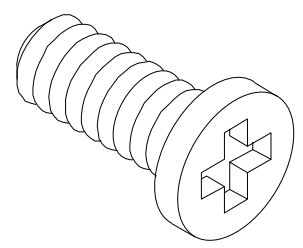


Main Structure Accessories

<p>B</p>  <p>9pcs</p>	<p>B1</p>  <p>2pcs</p>	<p>C</p>  <p>1pc</p>	<p>D</p>  <p>1pc</p>
<p>D1</p>  <p>1pc</p>	<p>F</p>  <p>2pcs</p>	<p>F1</p>  <p>1pc</p>	<p>F5</p>  <p>1pc</p>
<p>G</p>  <p>1pc</p>	<p>J</p>  <p>1pc</p>	<p>J1</p>  <p>1pc</p>	<p>Z</p>  <p>1pc</p>

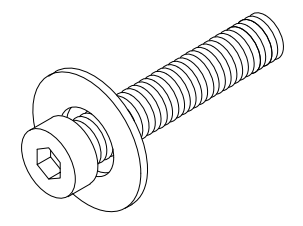
Hardware Parts

V



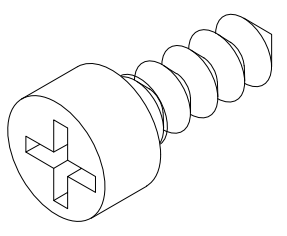
M6X17mm 6pcs

N



M8X30mm 3pcs

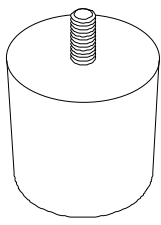
U



M5X14mm 4pcs

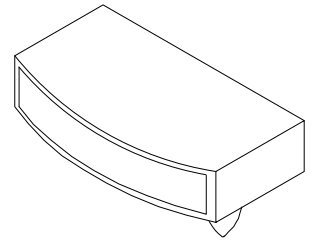
Structural Accessories

M



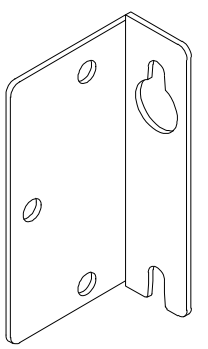
2pcs

O



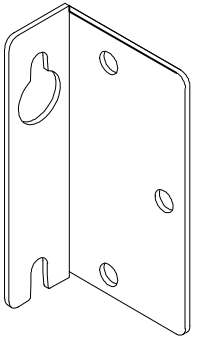
22pcs

W



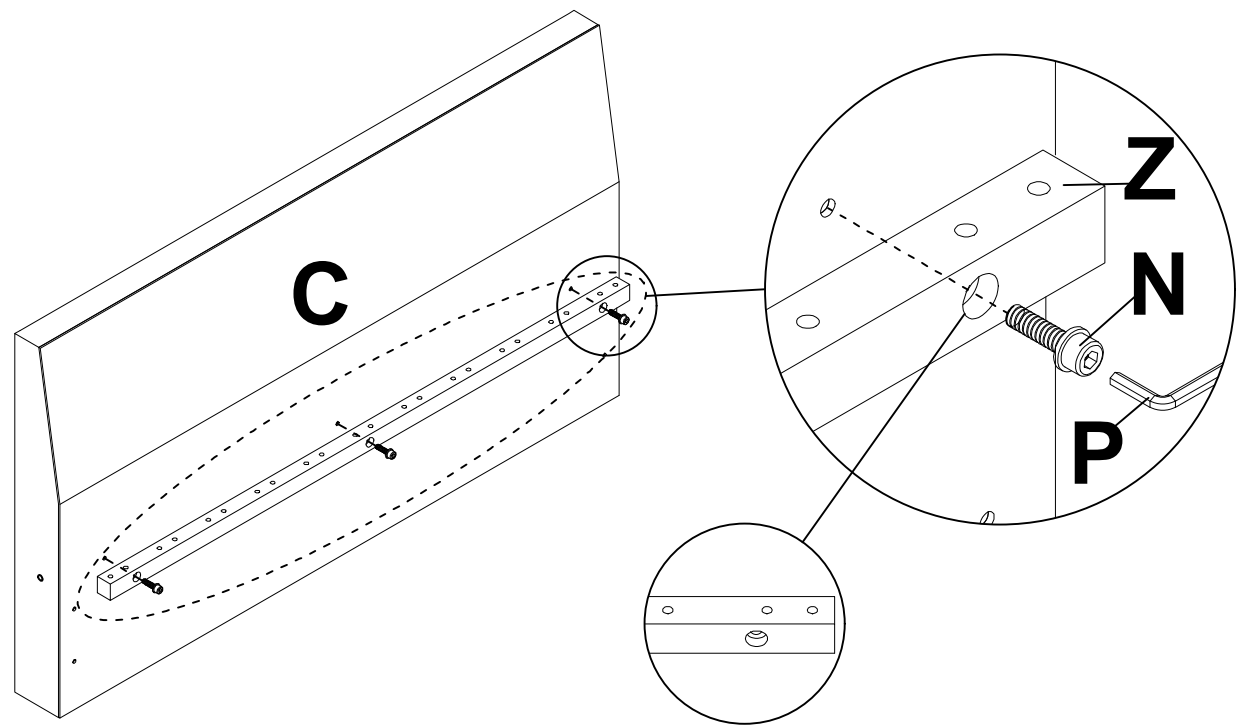
1pc


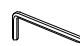
X



1pc

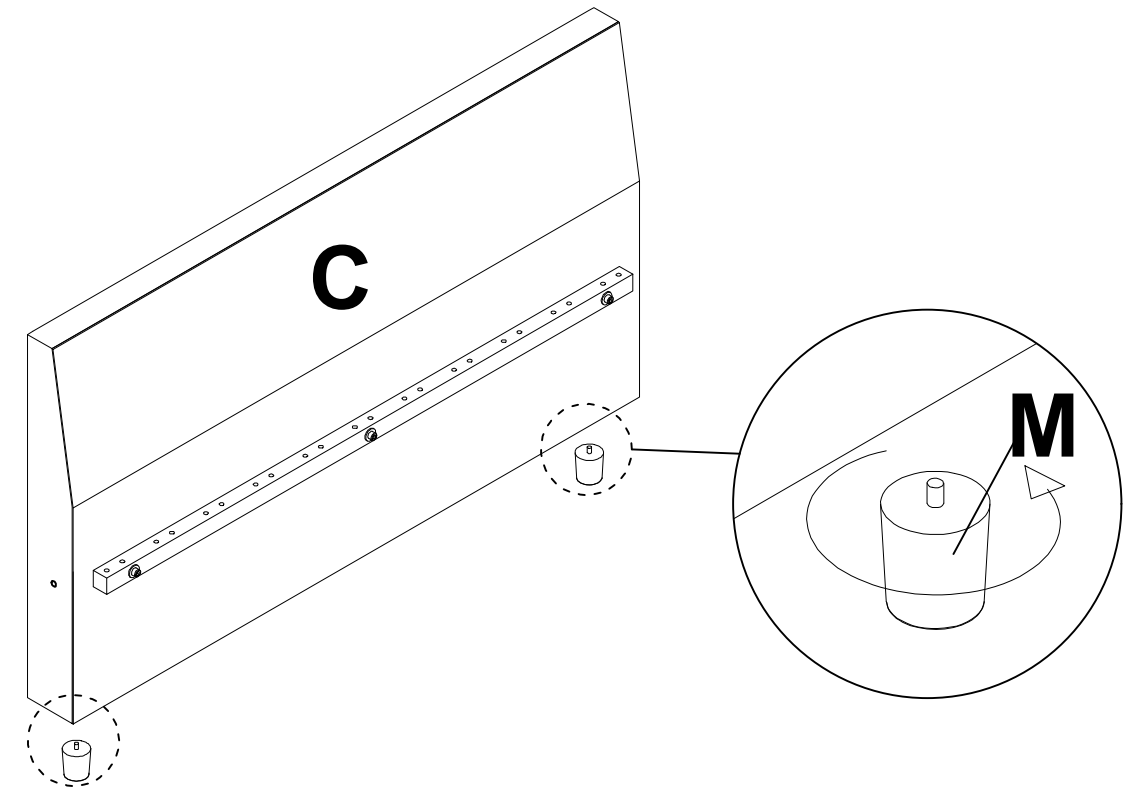
STEP 1



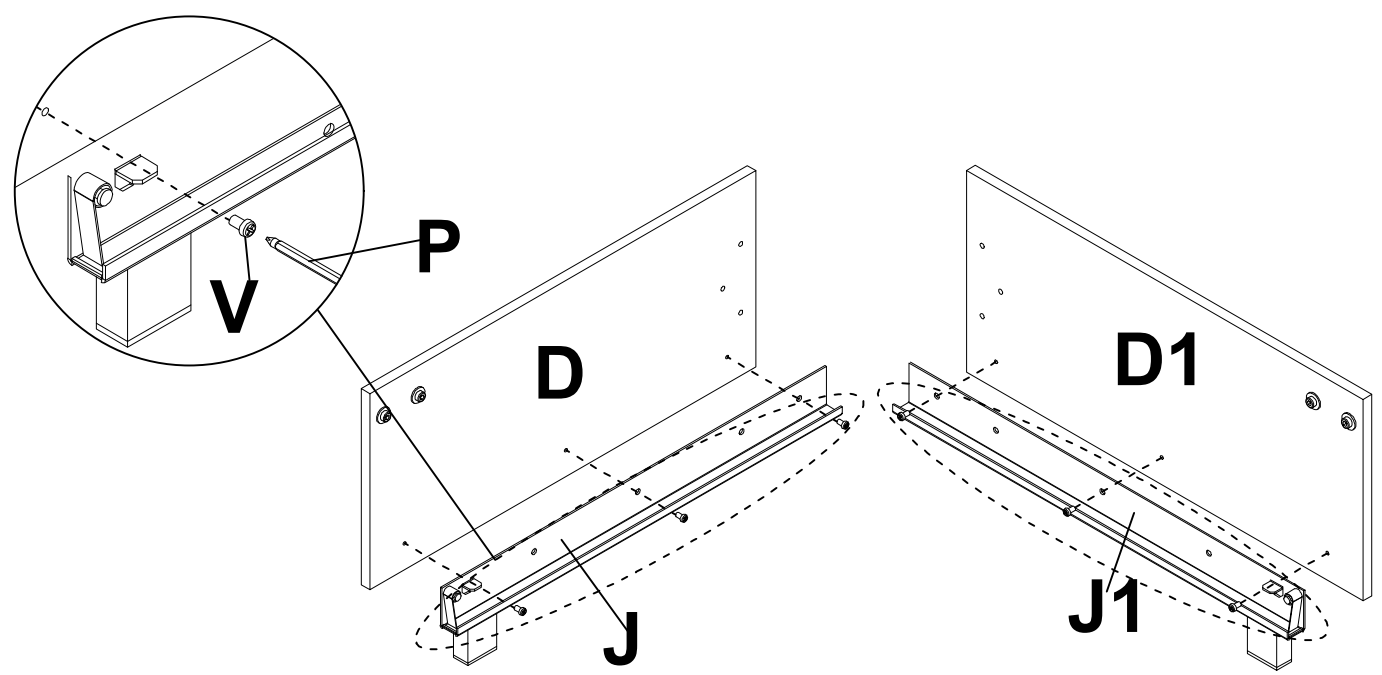
-  **N x 3pcs**
-  **P x 1pc**



Note that the hole of the buckle faces upward and the countersunk hole faces outward

STEP 2



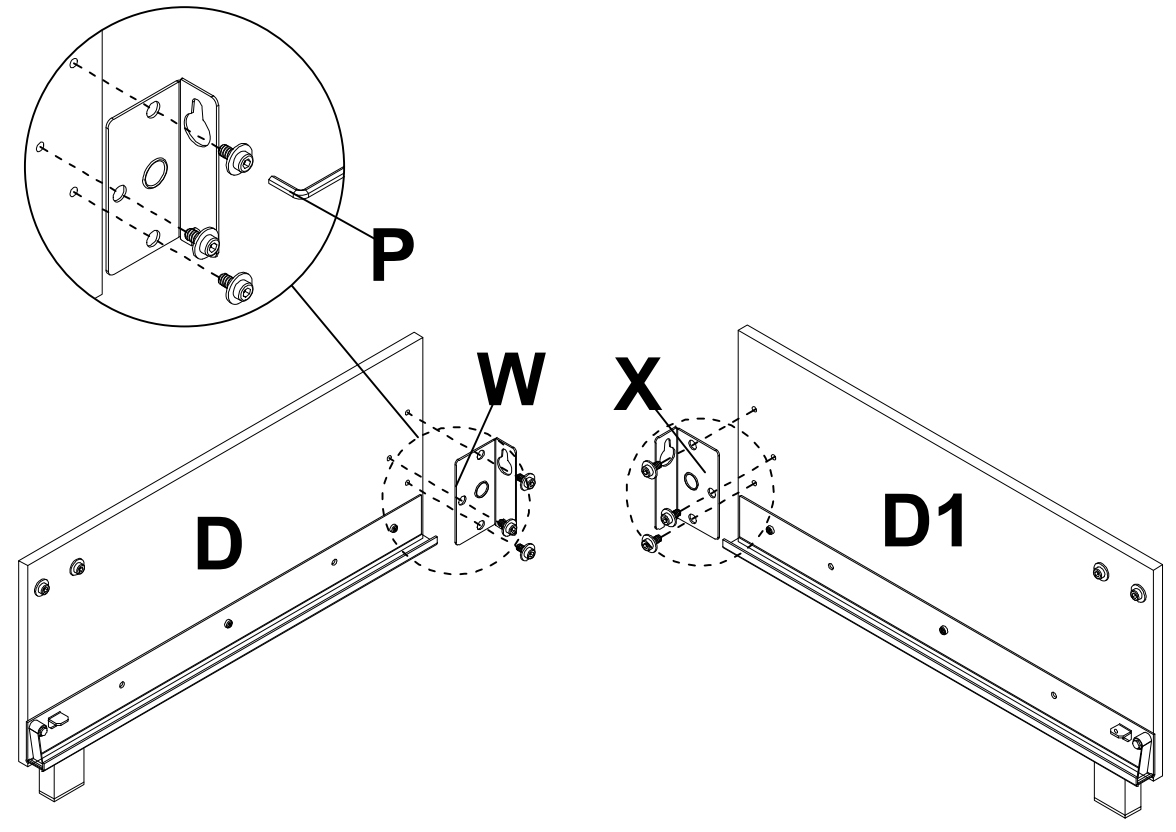
STEP 3


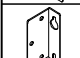
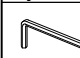


-  **V x 6pcs**
-  **P x 1pc**

STEP 4

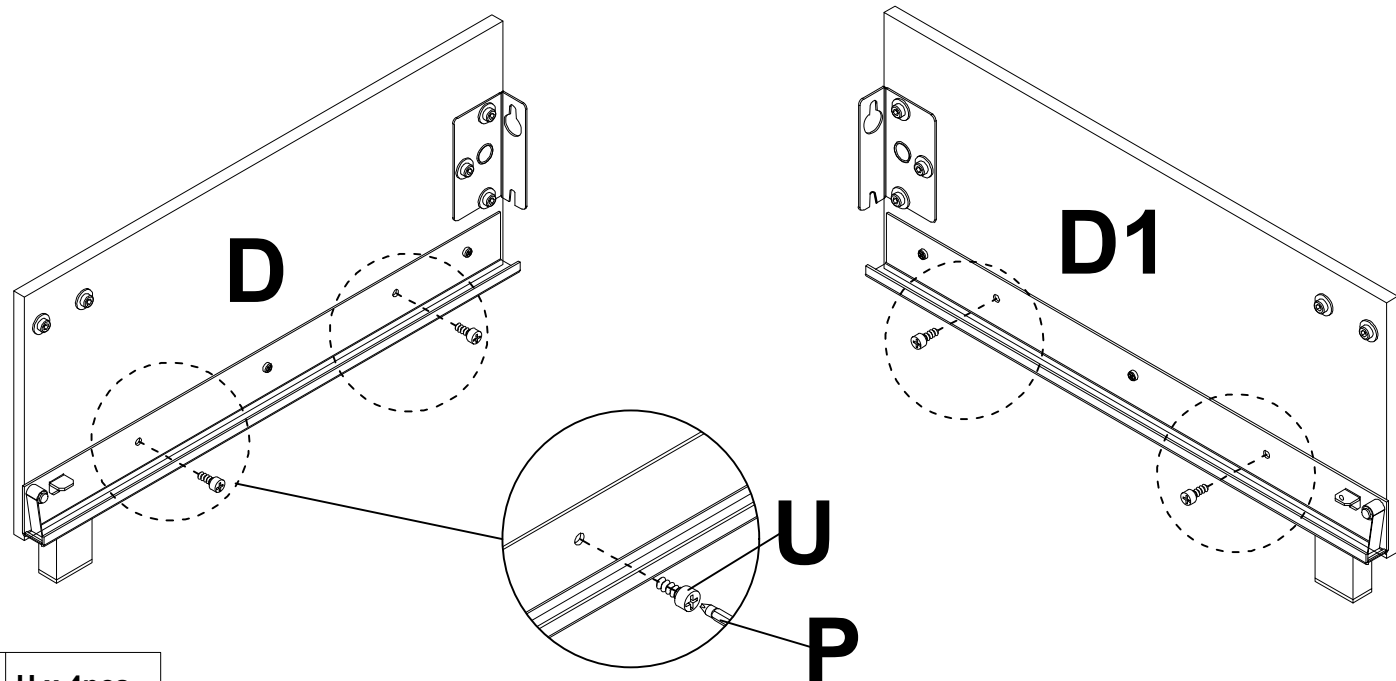
Loosen the screws properly first for better engagement.

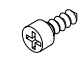



-  **X x 1pc**
-  **W x 1pc**
-  **P x 1pc**

STEP 5

Reinforcing lock with self-tapping screws

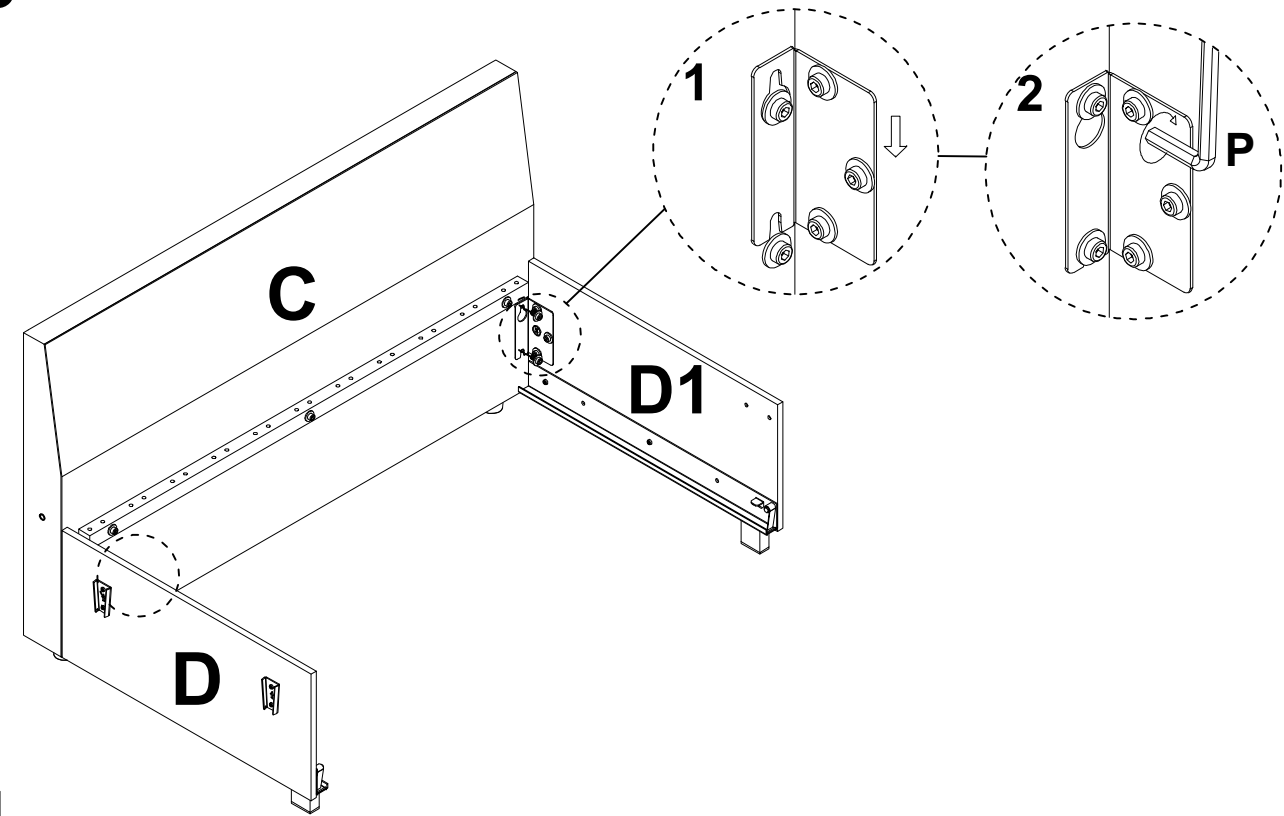


-  U x 4pcs
-  P x 1pc

Tips: Self-tapping screw is an auxiliary reinforcement function, you can choose to reinforce or not.

STEP 6

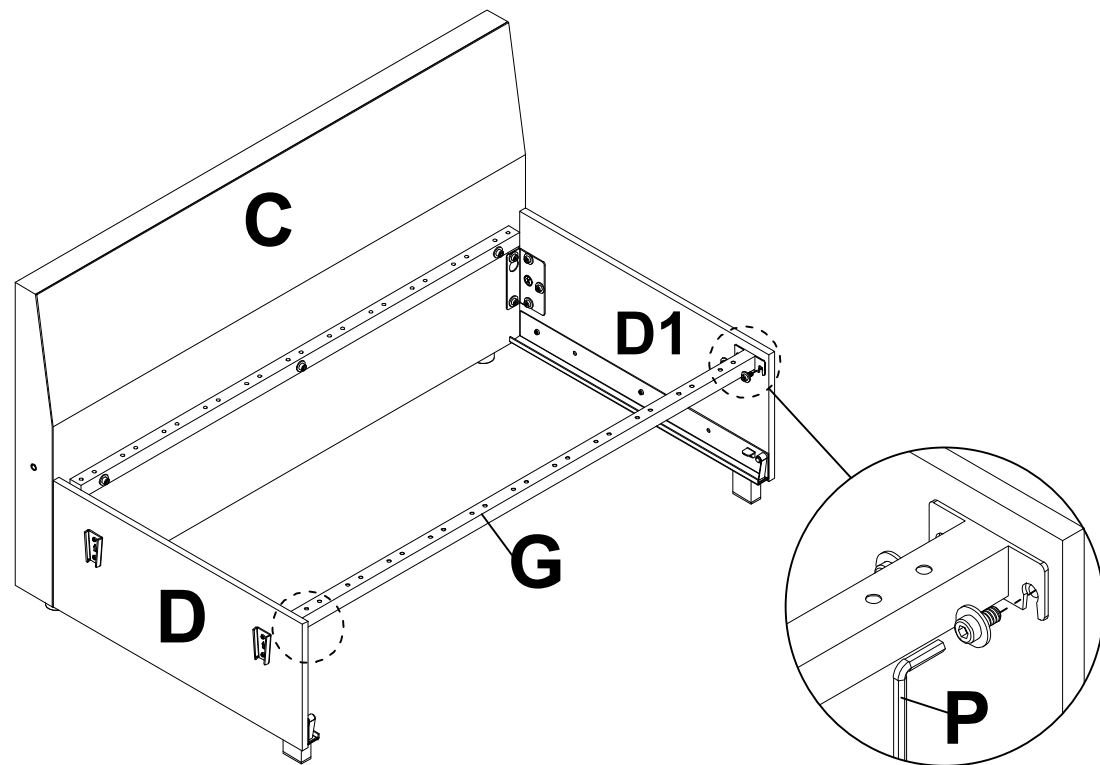
First loosen the screws, install the mounting plate and lock the screws



-  P x 1pc

STEP 7

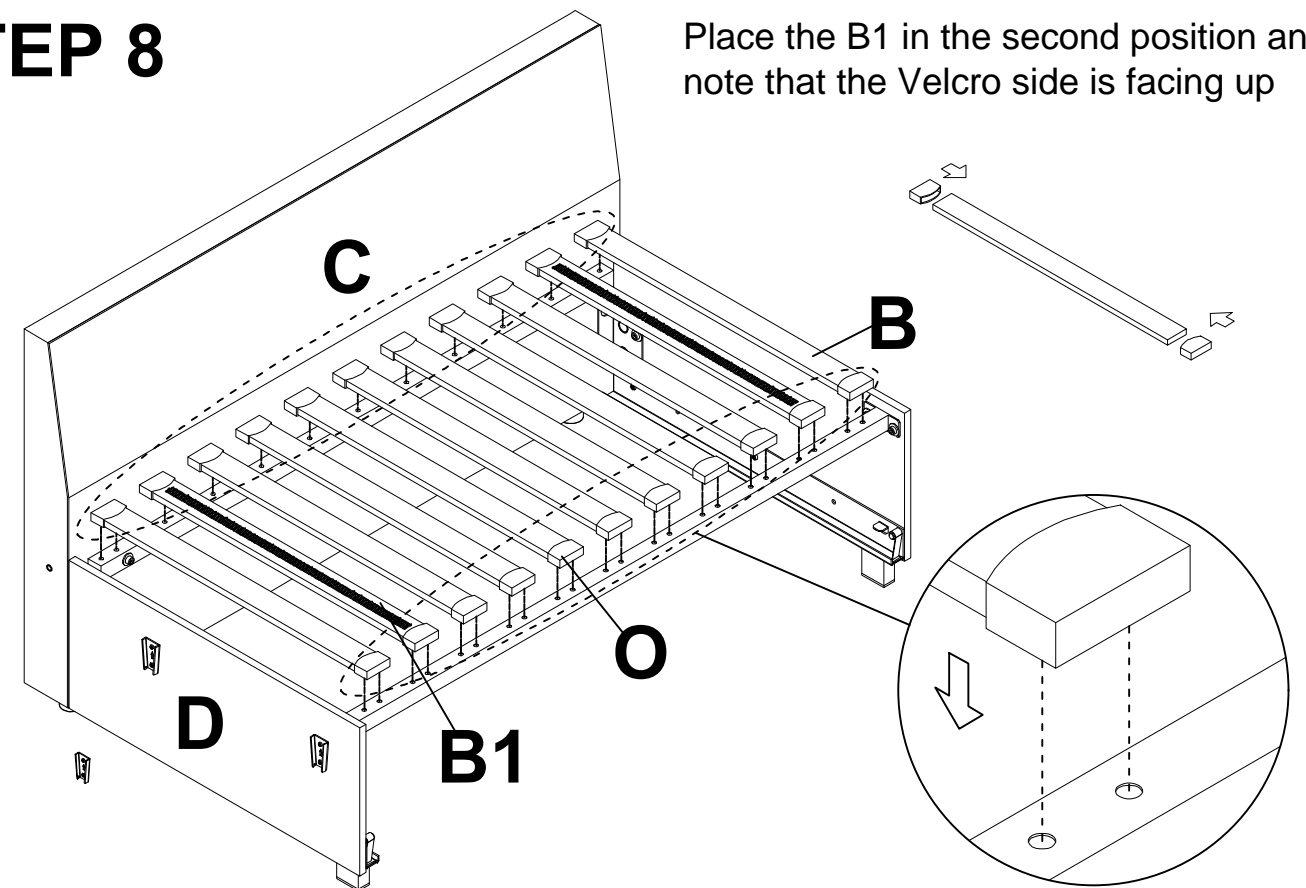
Loosen the screws properly first for better engagement.



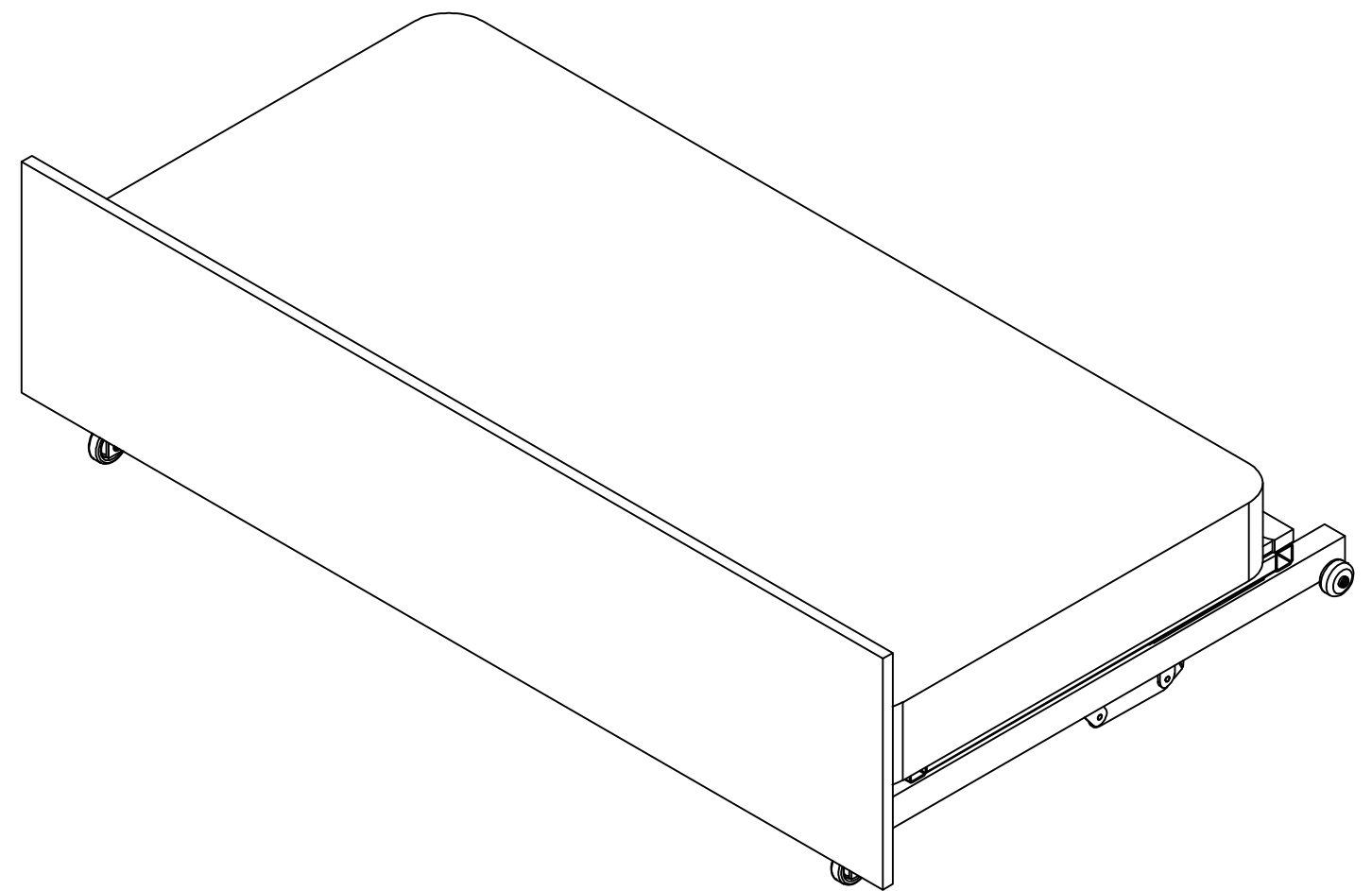
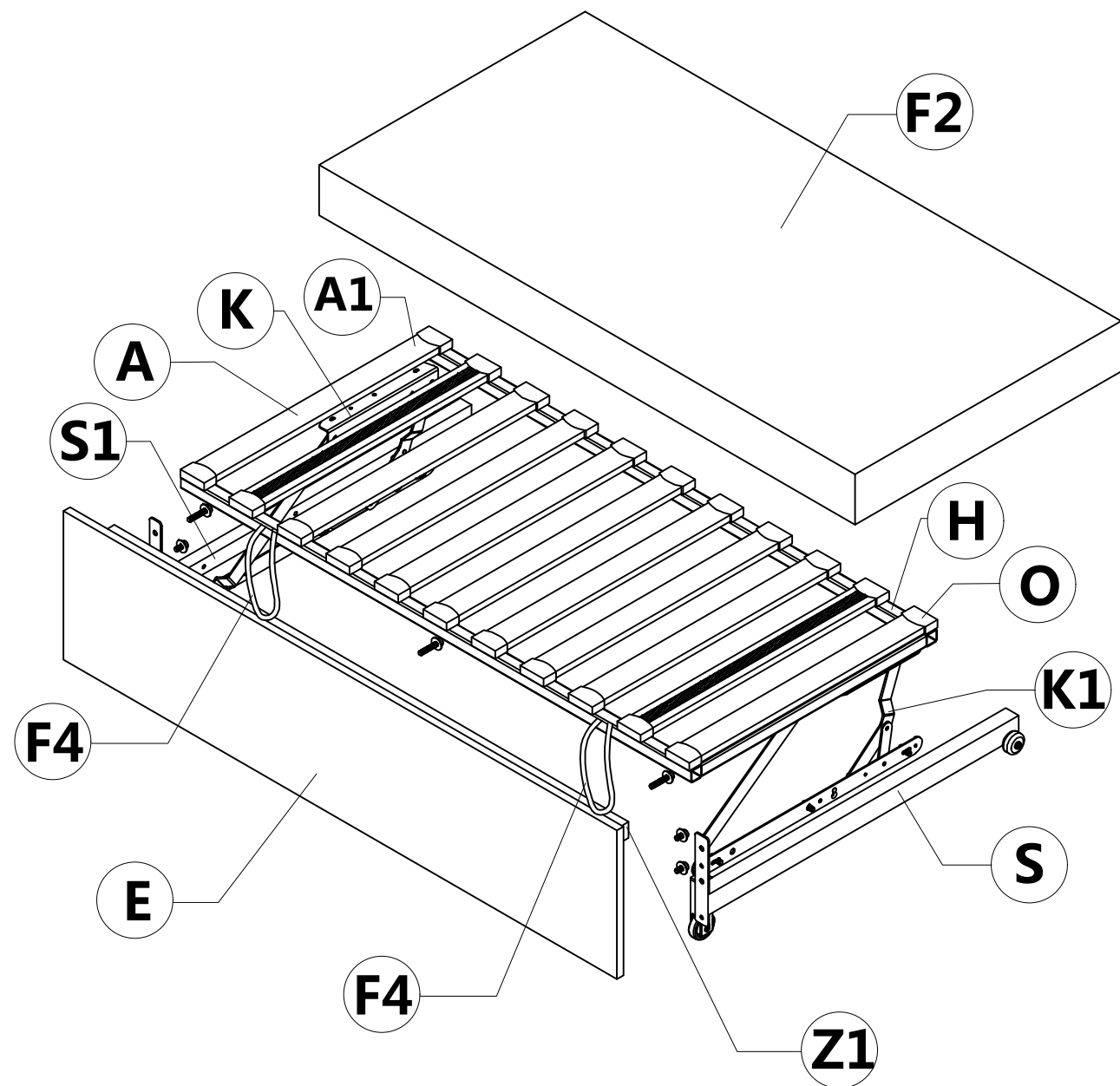
-  P x 1pc

STEP 8

Place the B1 in the second position and note that the Velcro side is facing up

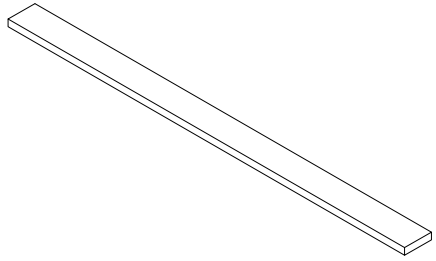


MATTRESS



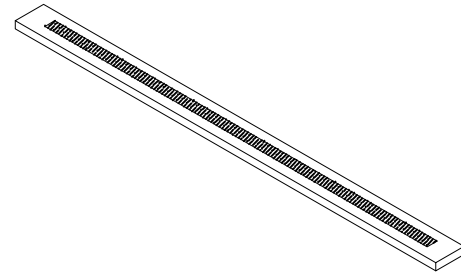
Main Structure Accessories

A



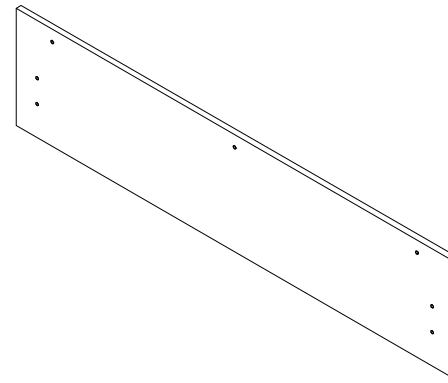
9pcs

A1



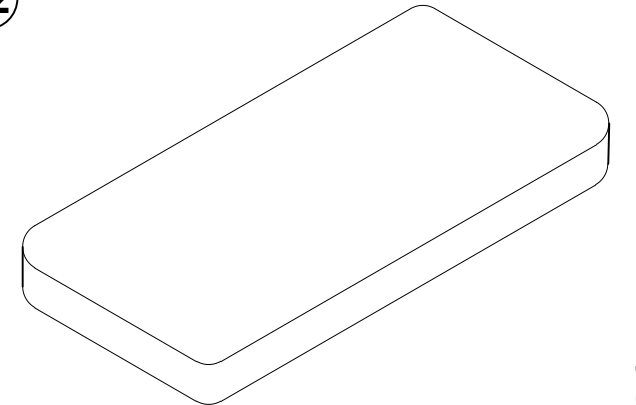
2pcs

E



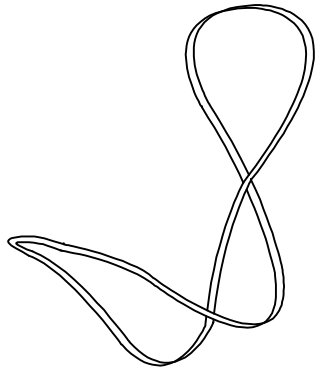
1pc

F2



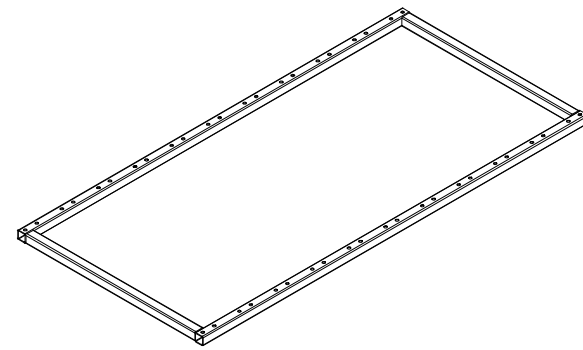
1pc

F4



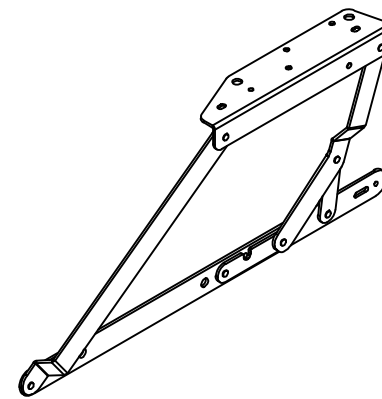
2pcs

H



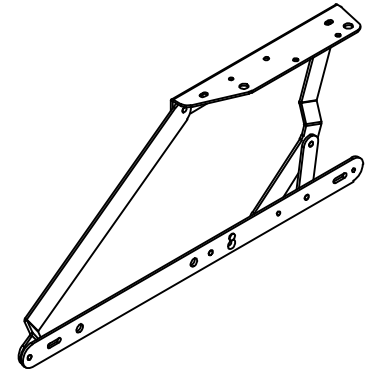
1pc

K



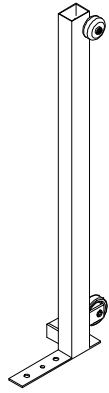
1pc

K1



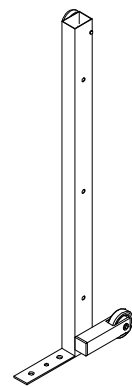
1pc

S



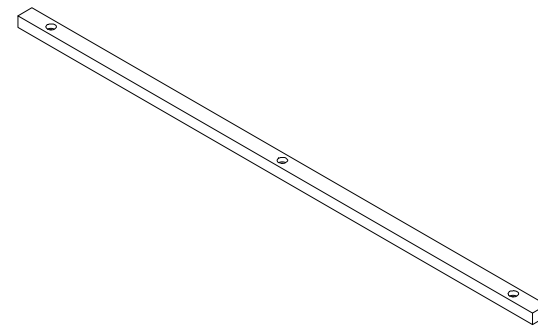
1pc

S1



1pc

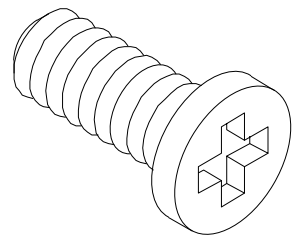
Z1



1pc

Hardware Parts

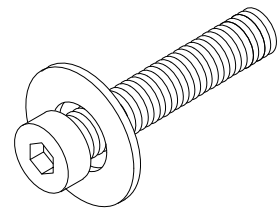
Ⓥ



M6X17mm

4pcs

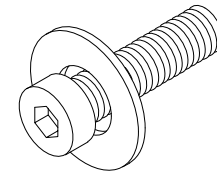
Ⓝ



M8X30mm

3pcs

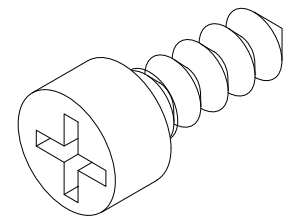
Ⓨ



M8X18mm

6pcs

Ⓤ

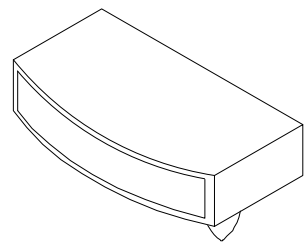


M5X14mm

4pcs

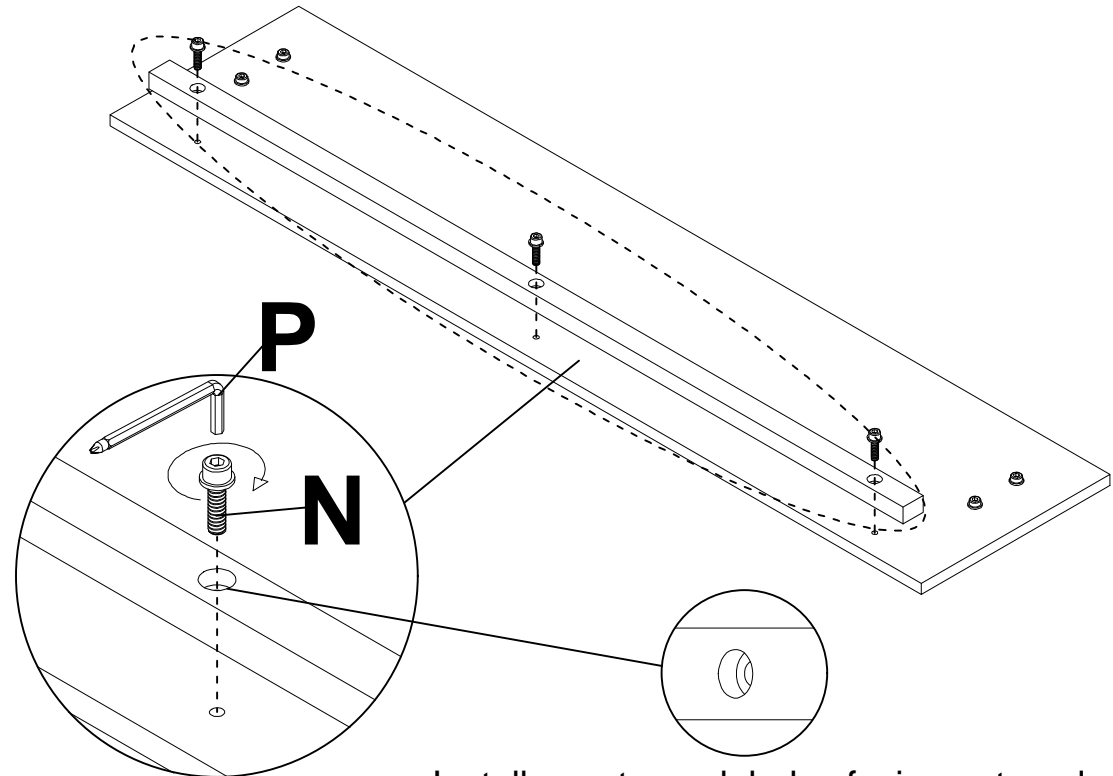
Structural Accessories


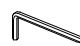
ⓐ



22pcs

STEP 1

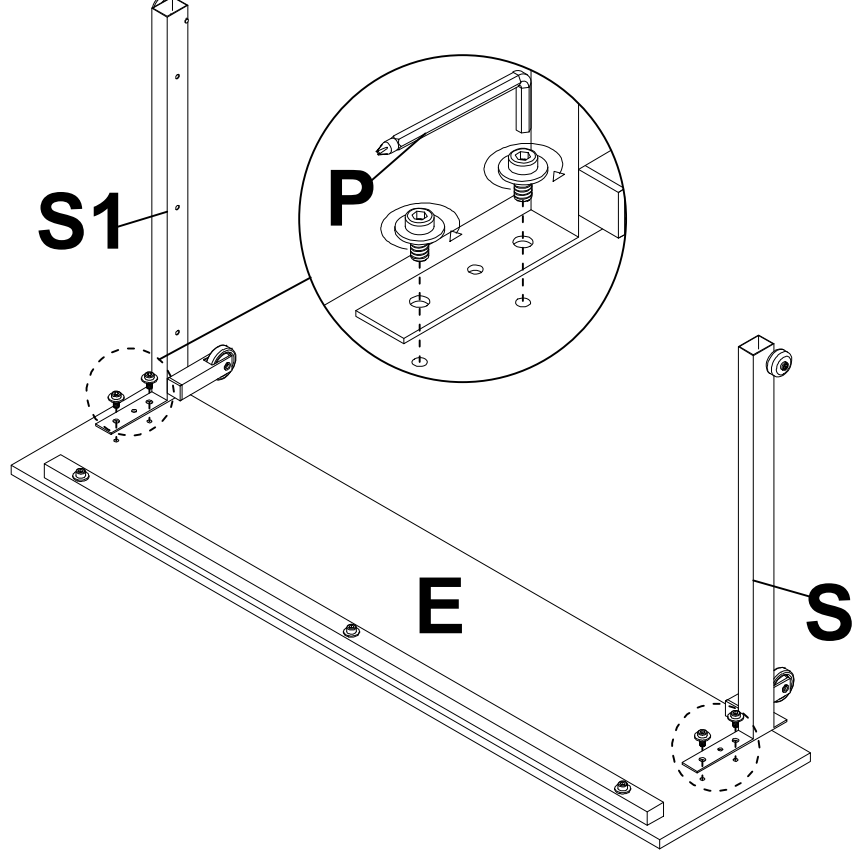


-  N x 3pcs
-  P x 1pc

Install countersunk holes facing outward

STEP 2

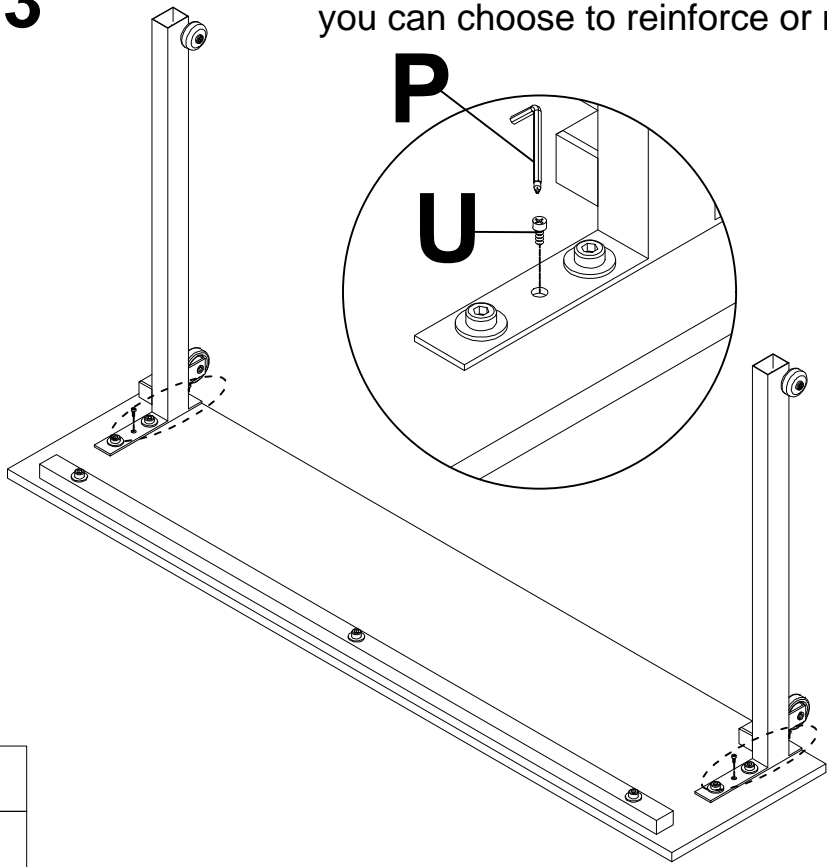
Loosen the screws properly first for better engagement.





-  P x 1pc

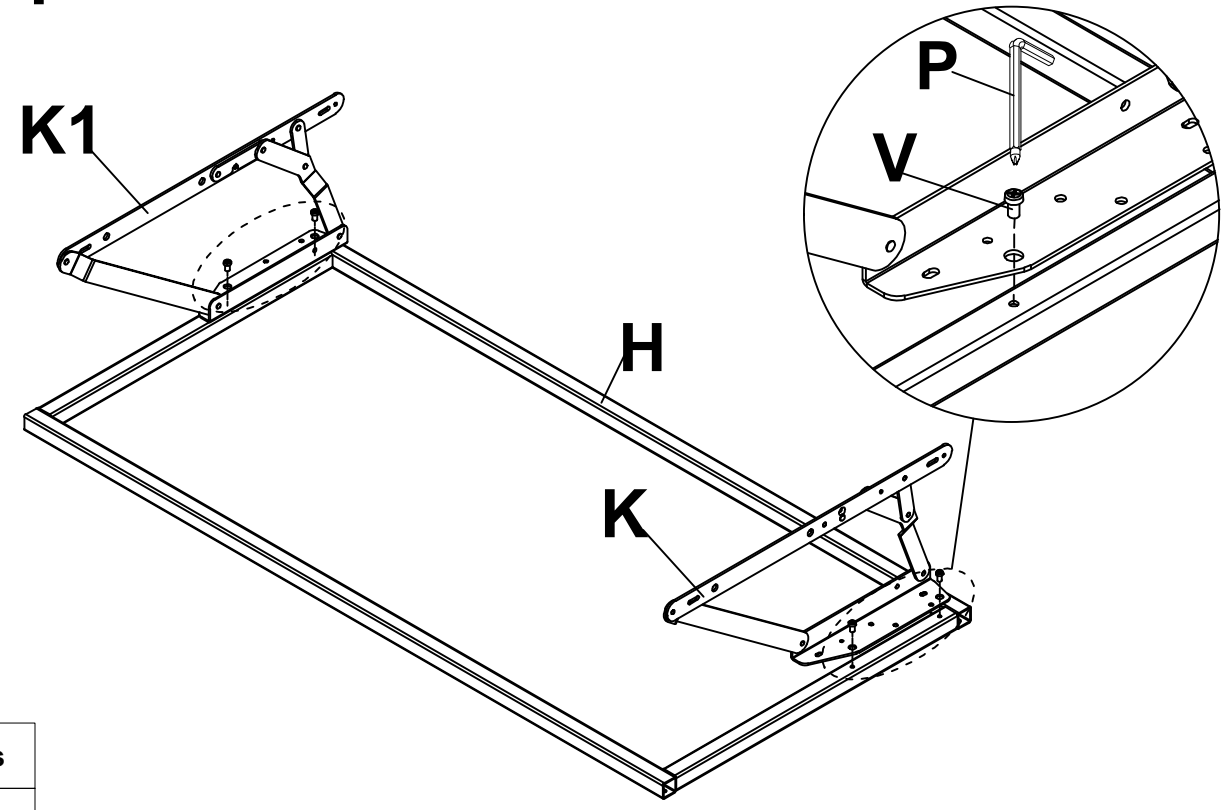
STEP 3



Tips: Self-tapping screw is an auxiliary reinforcement function, you can choose to reinforce or not.



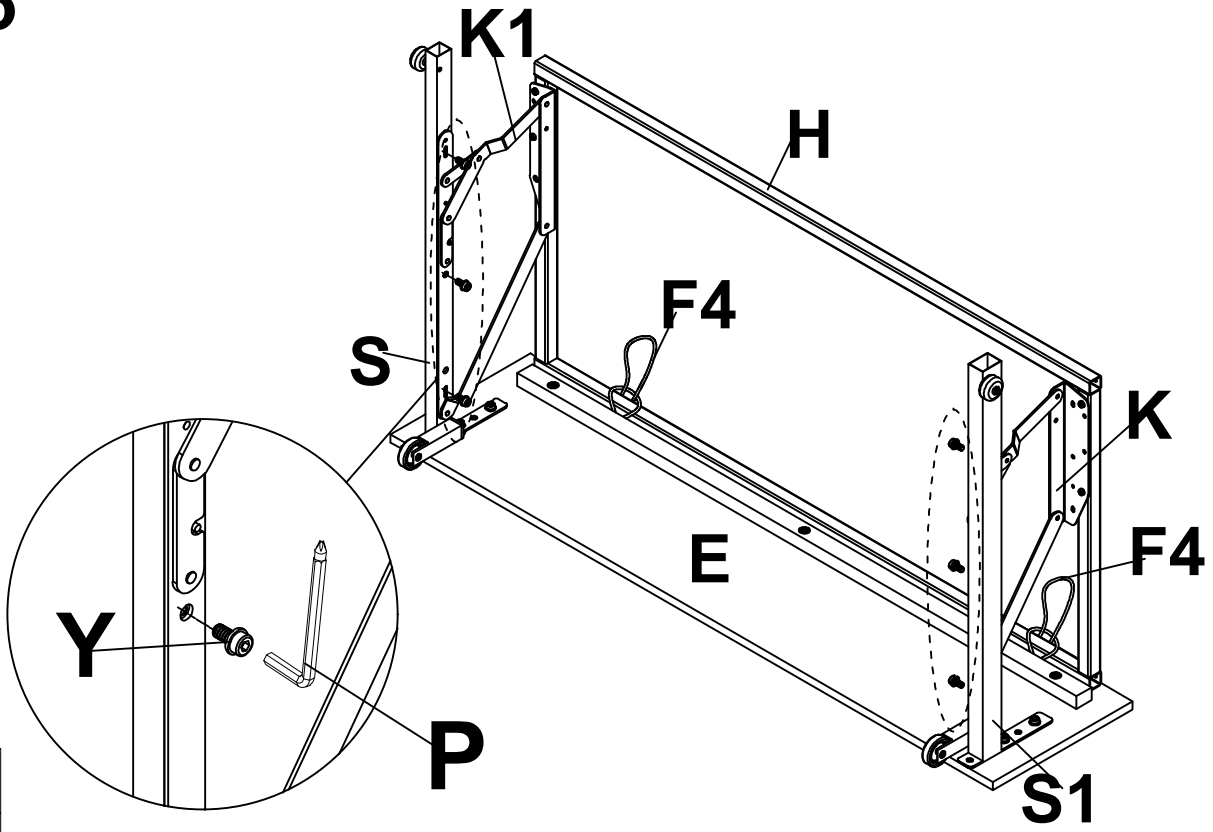
-  U x 4pcs
-  P x 1pc



STEP 4



-  V x 4pcs
-  P x 1pc

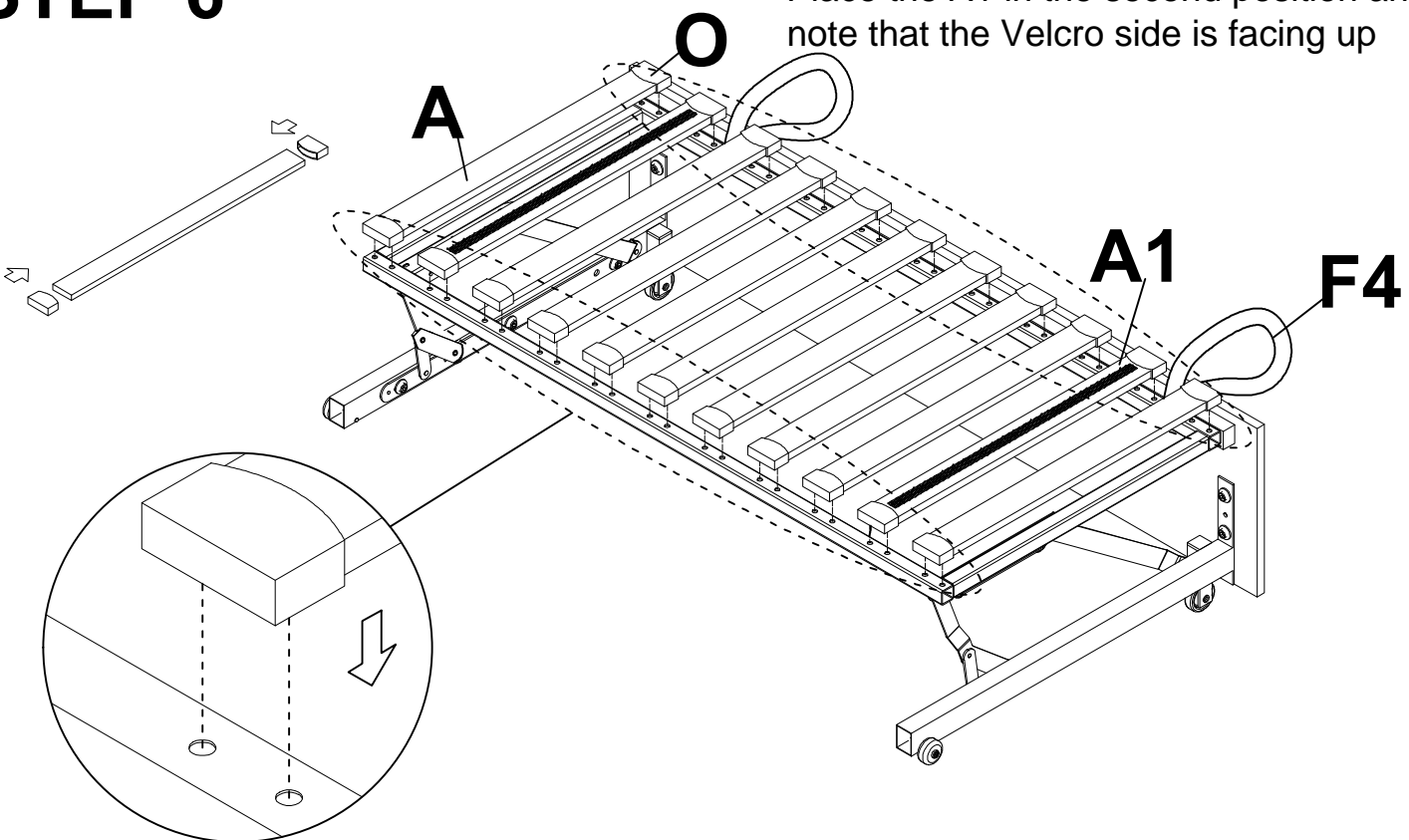
STEP 5



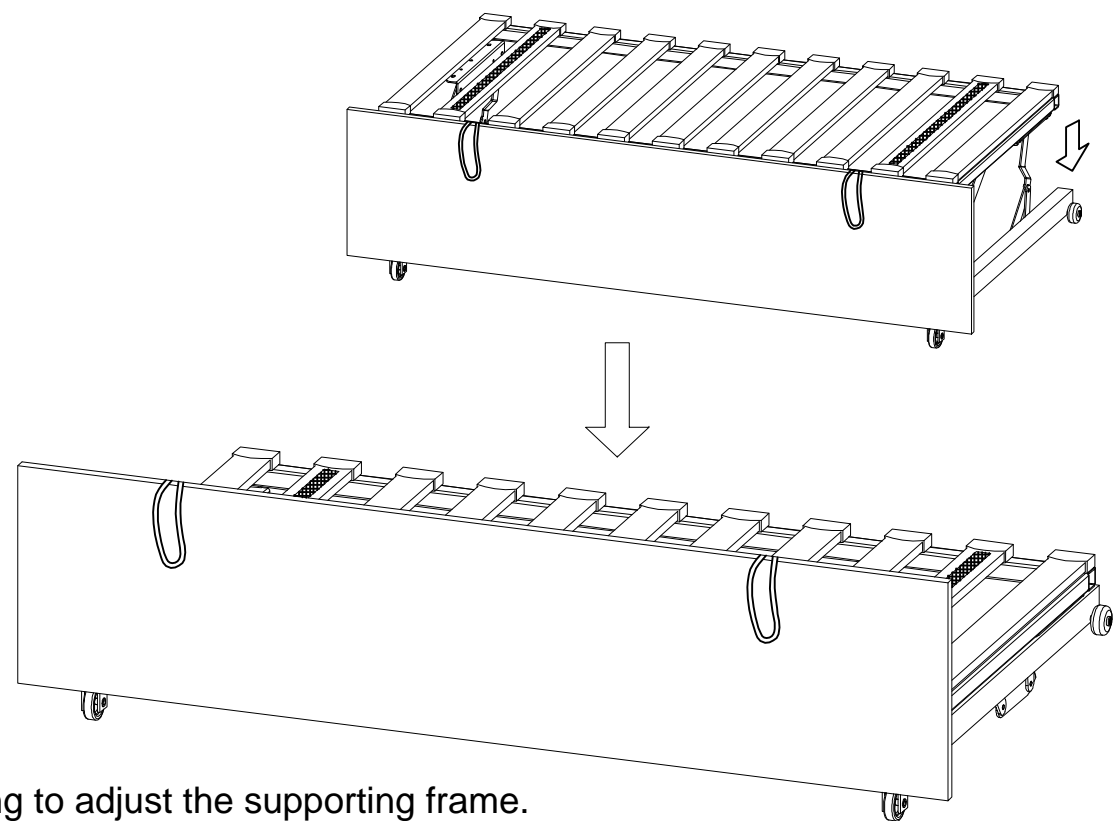
-  Y x 6pcs
-  P x 1pc

STEP 6

Place the A1 in the second position and note that the Velcro side is facing up

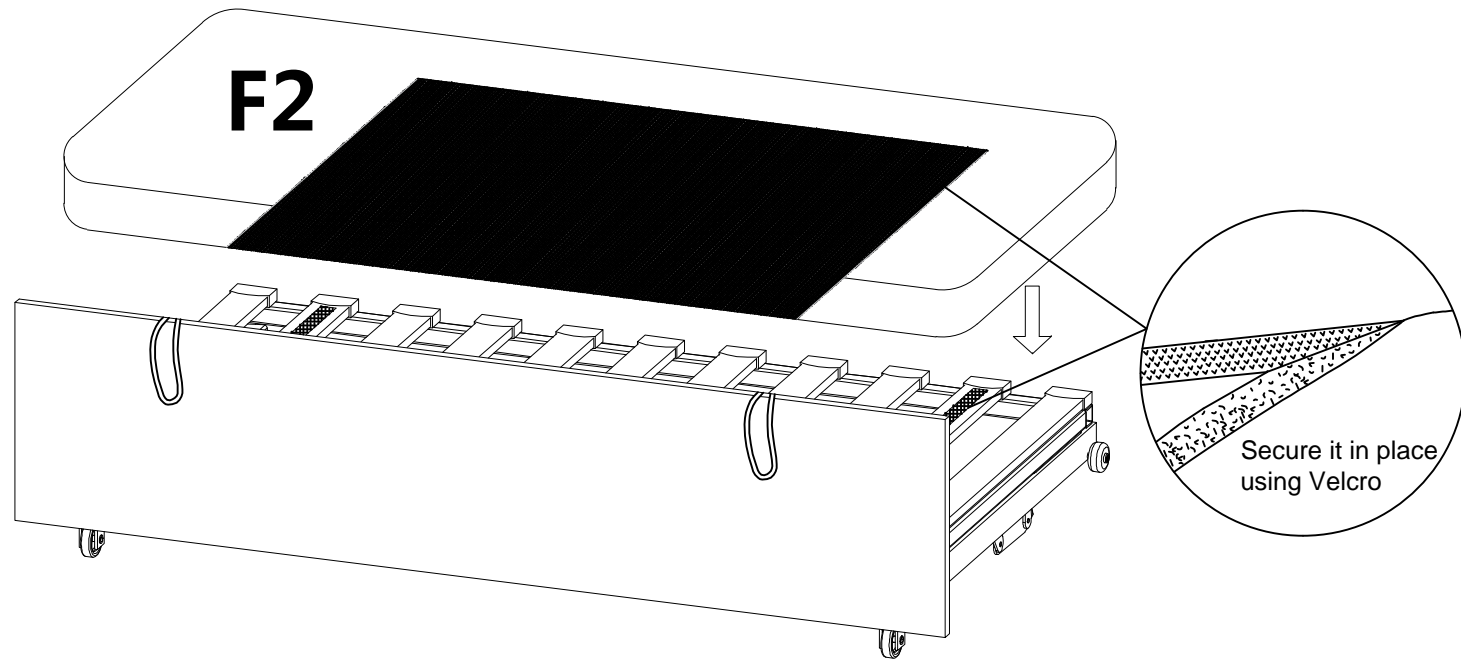


STEP 7



Pull the drawstring to adjust the supporting frame.

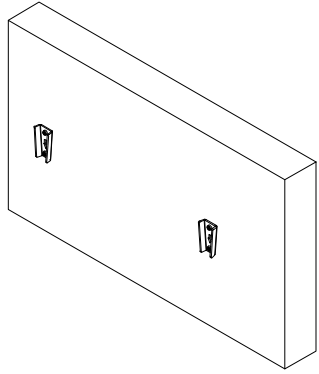
STEP 8



Secure it in place using Velcro

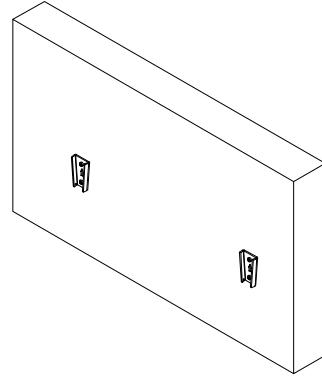
Main Structure Accessories

R1



1pc

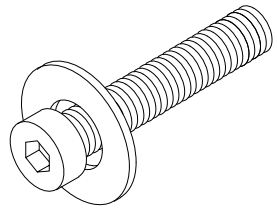
R2



1pc

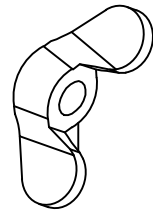
Hardware Parts

N



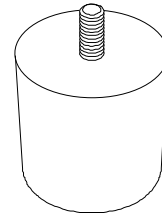
3pcs

T



1pc

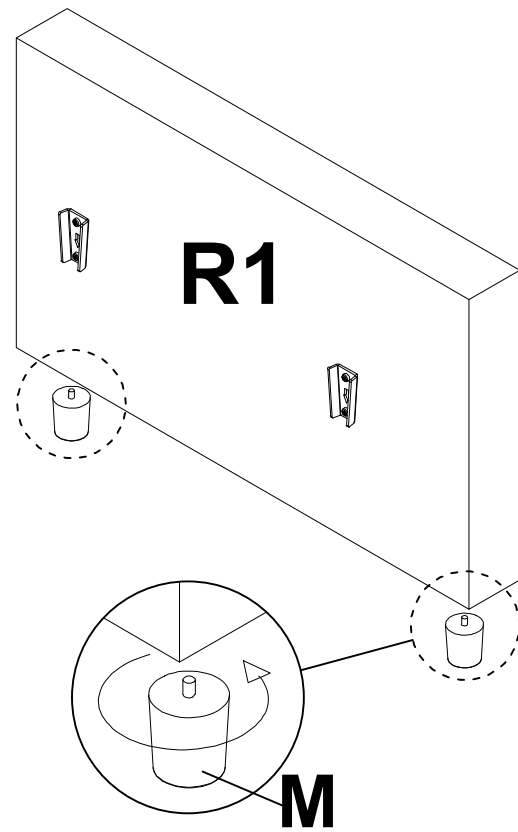
M



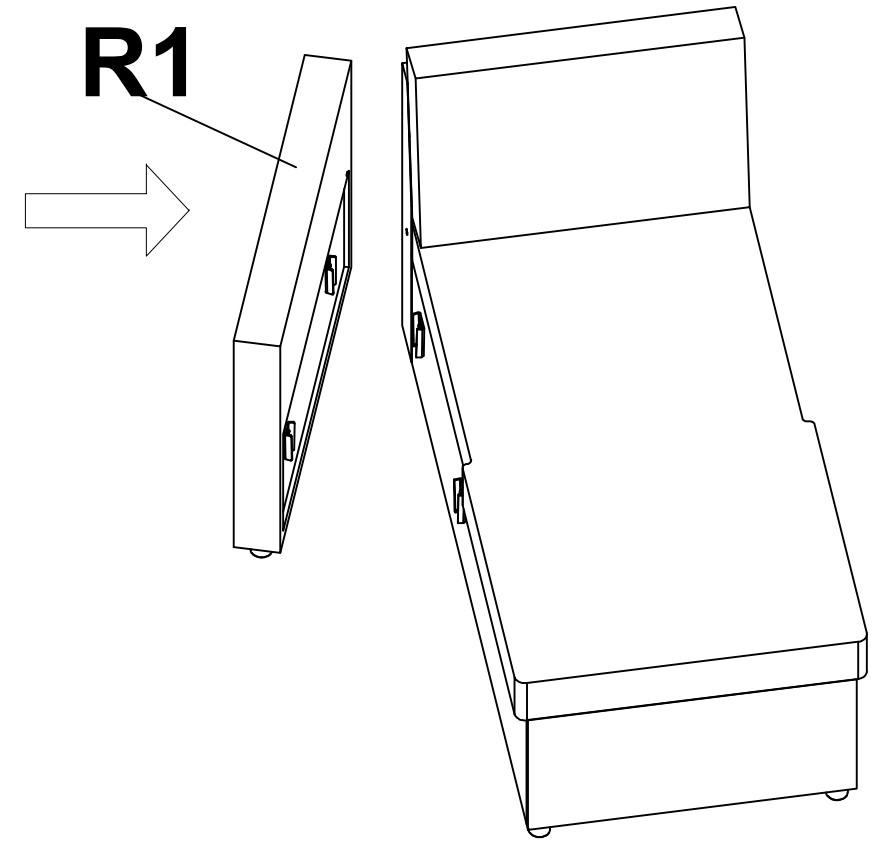
4pcs

Plan A (When the CHAISE is on the left)

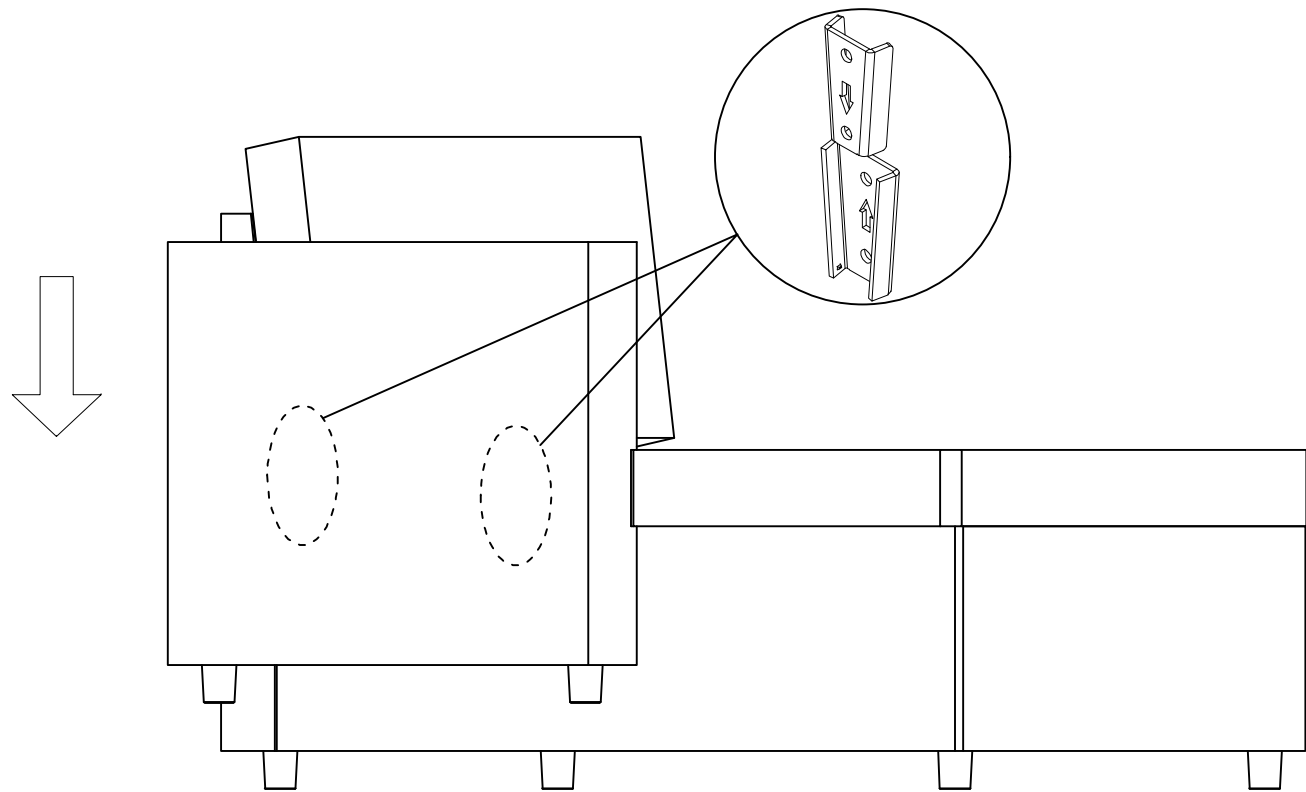
STEP 1



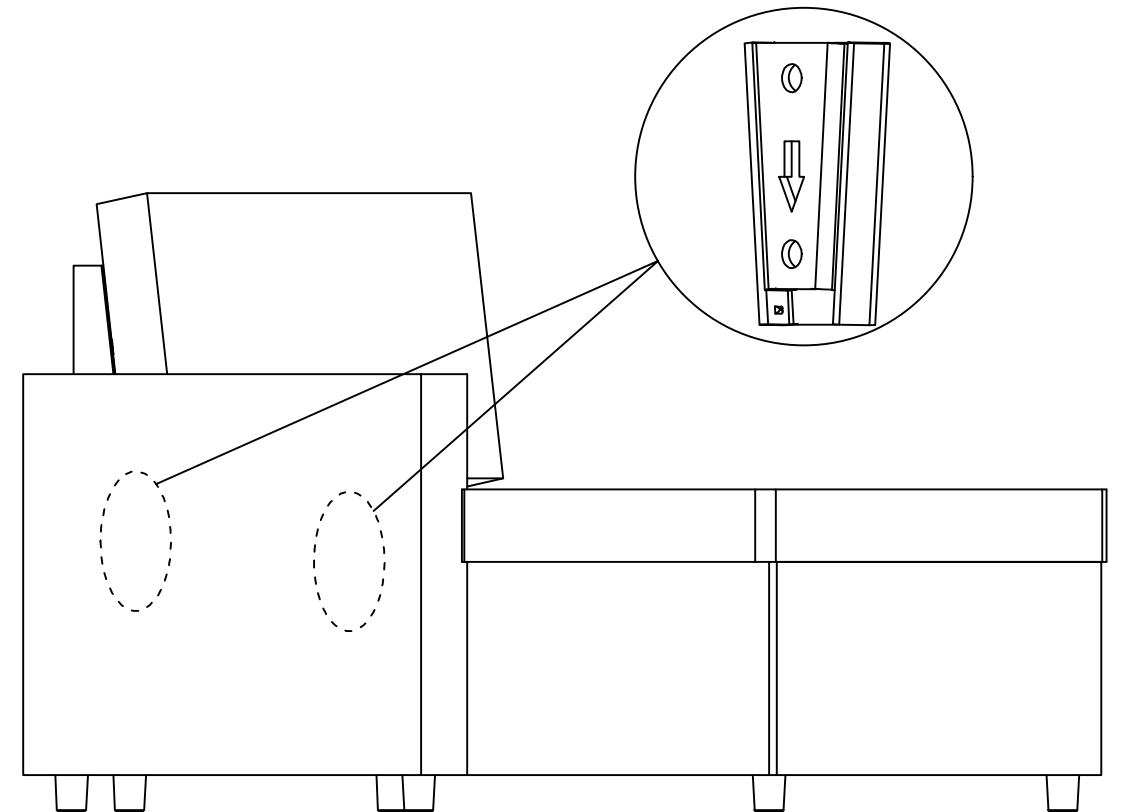
STEP 2



STEP 3 Insert the left armrest into the left side of the chaise

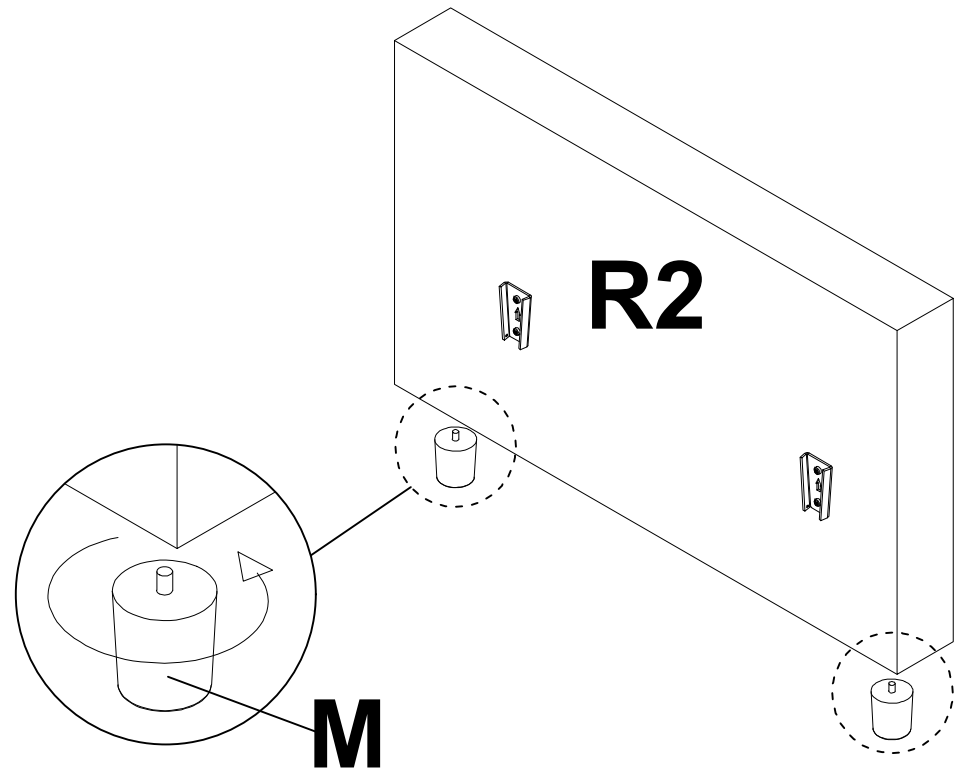


STEP 4

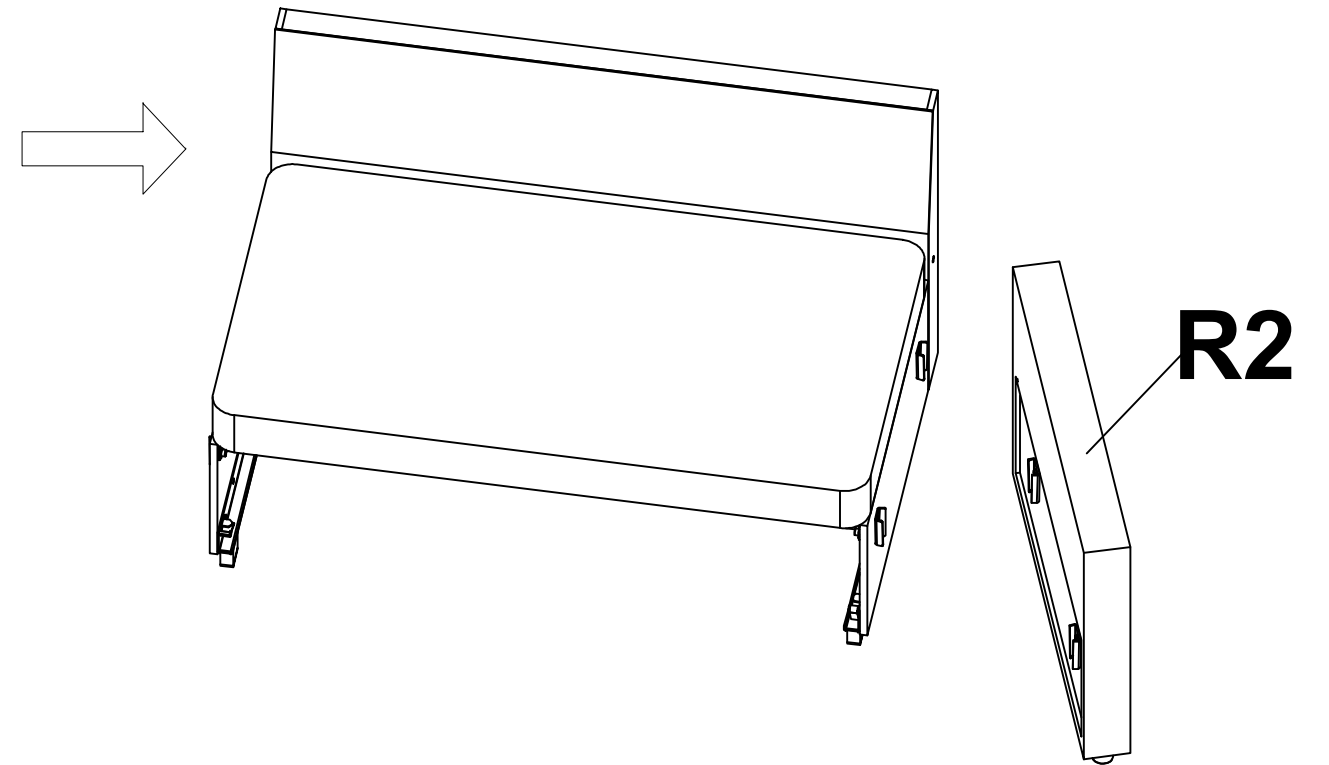


Plan A (When the CHAISE is on the left)

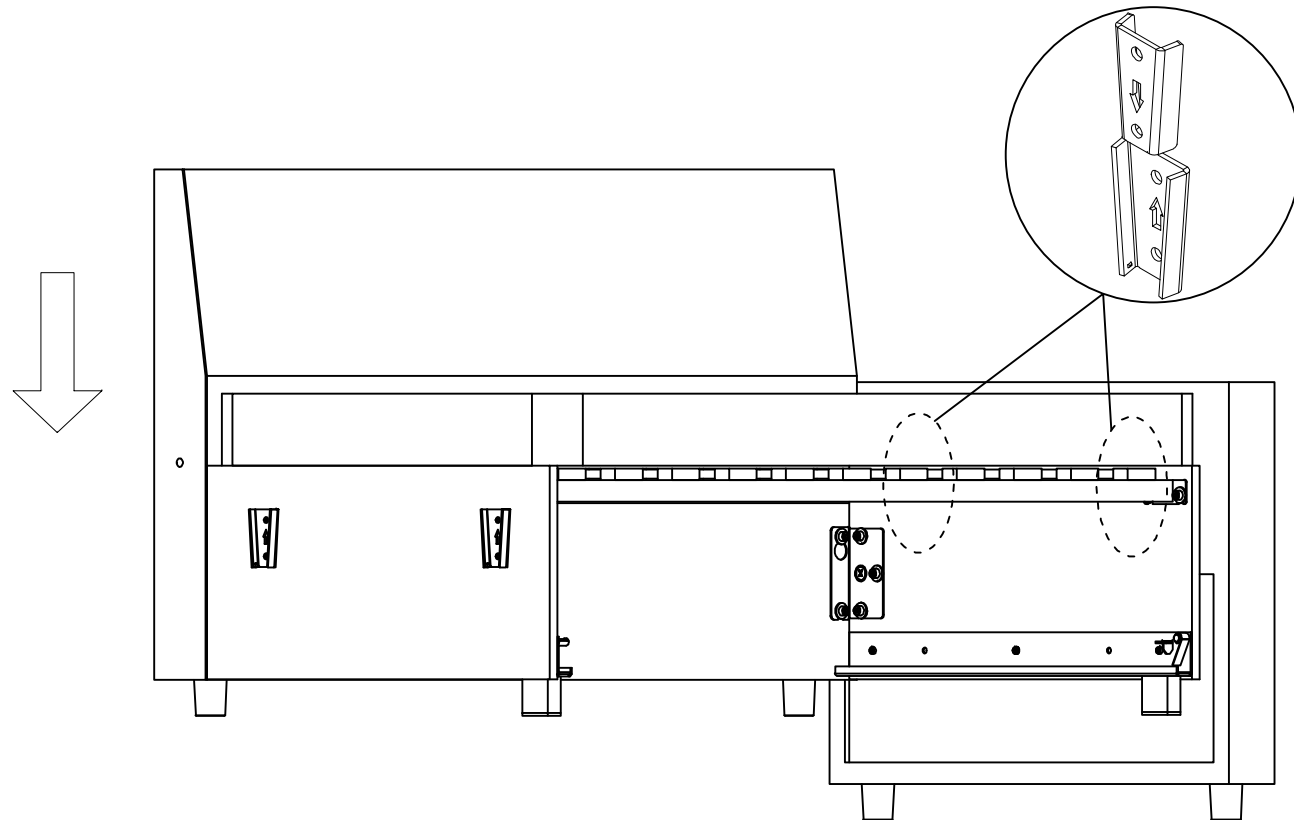
STEP 5



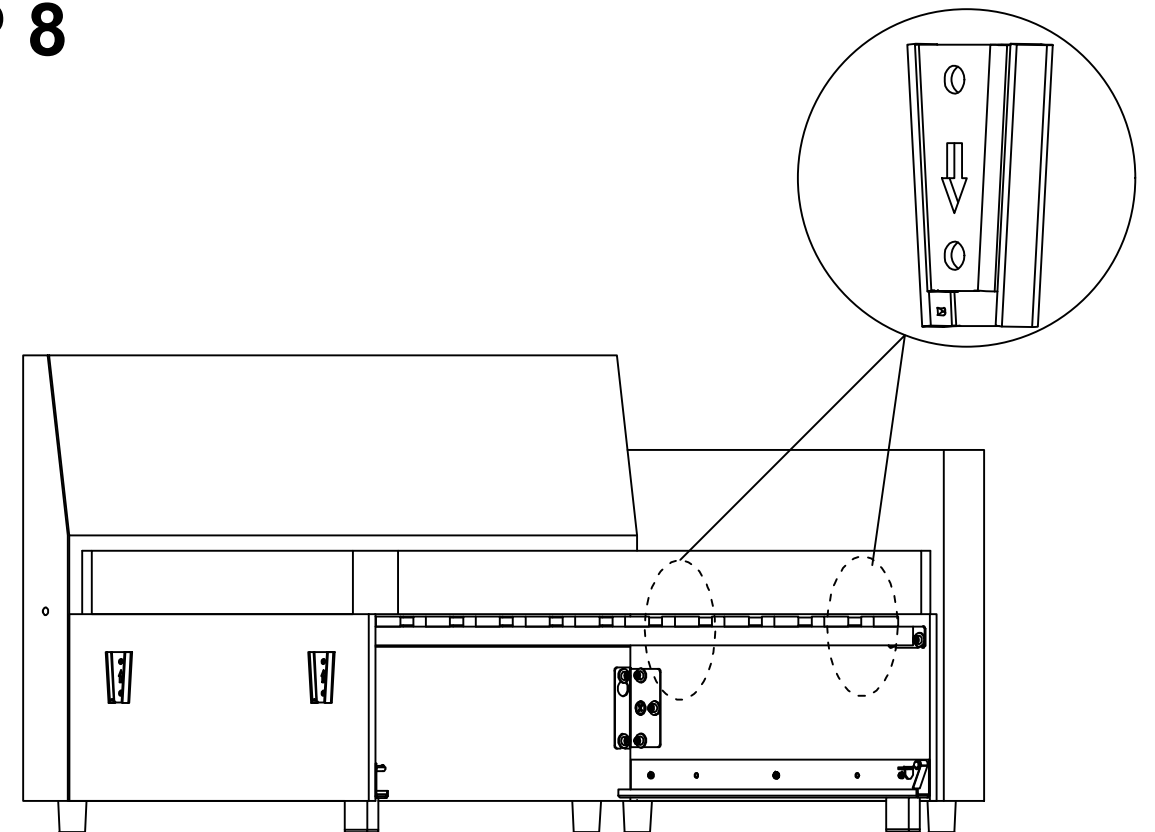
STEP 6



STEP 7 The right-side of two-seater insert the right armrest

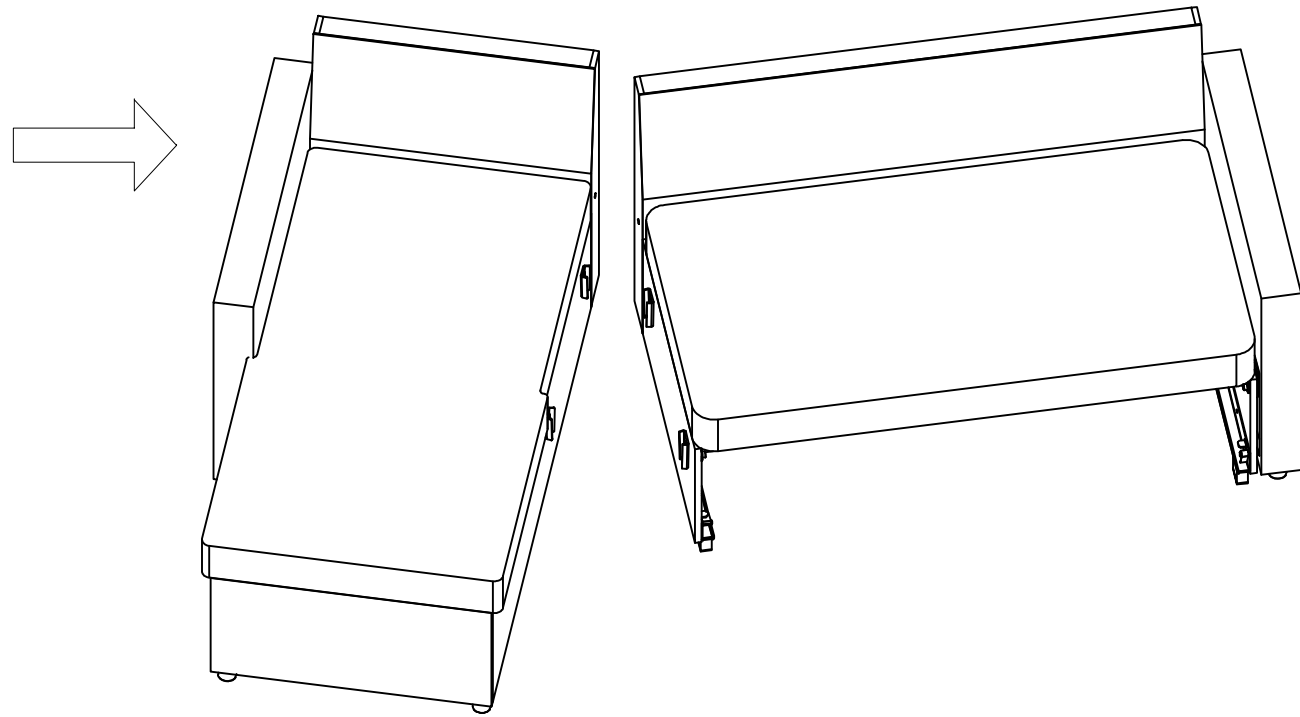


STEP 8

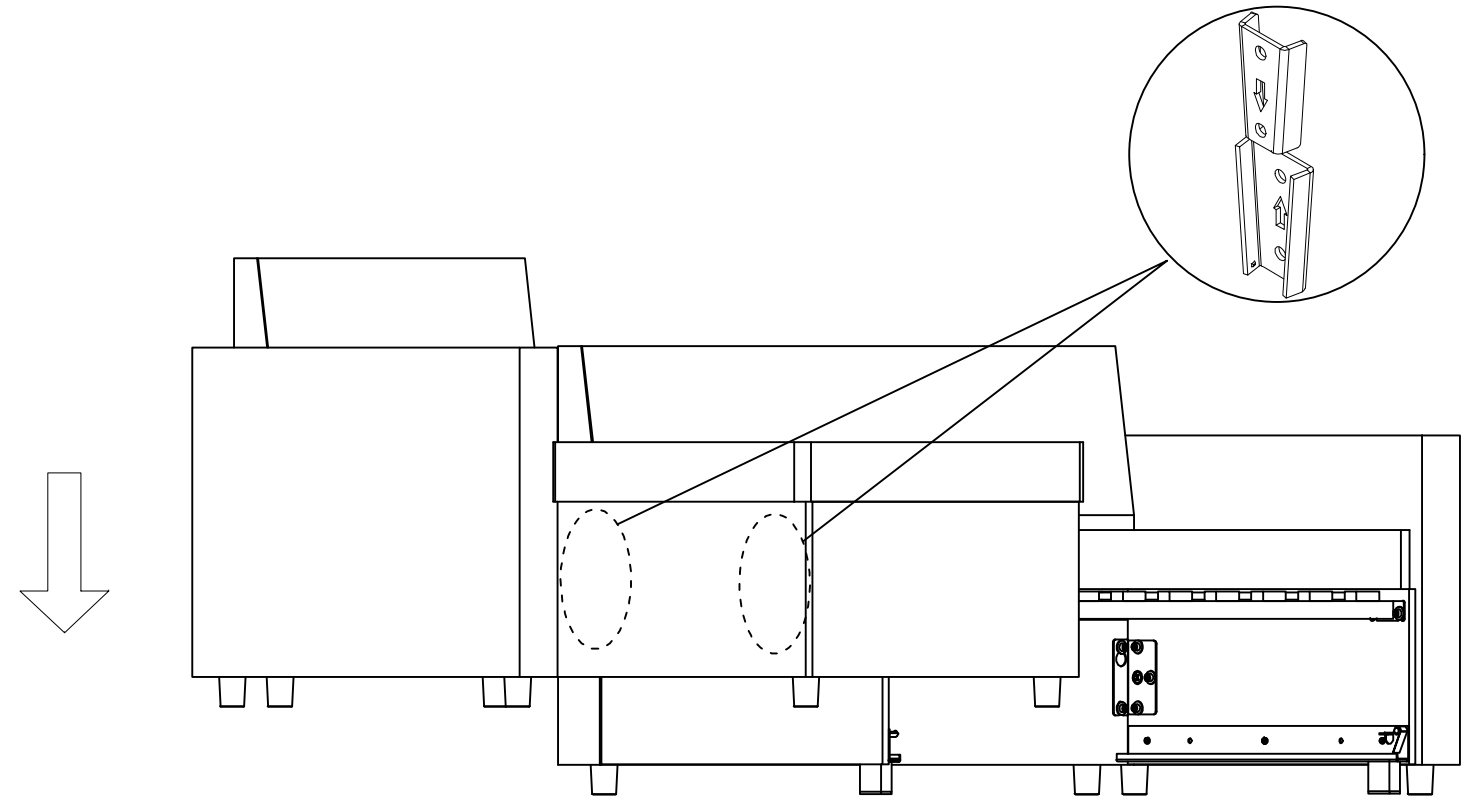


Plan A (When the CHAISE is on the left)

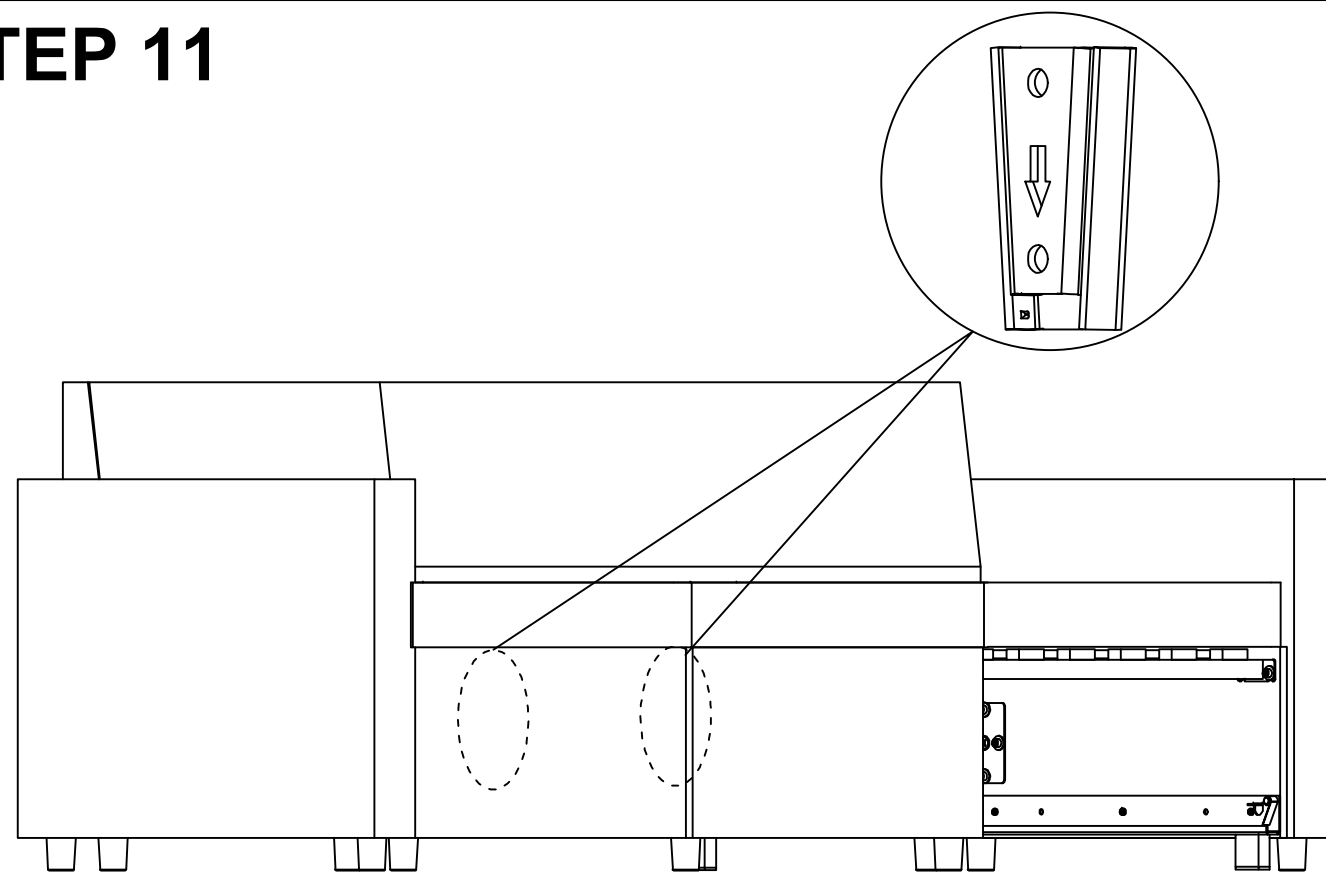
STEP 9



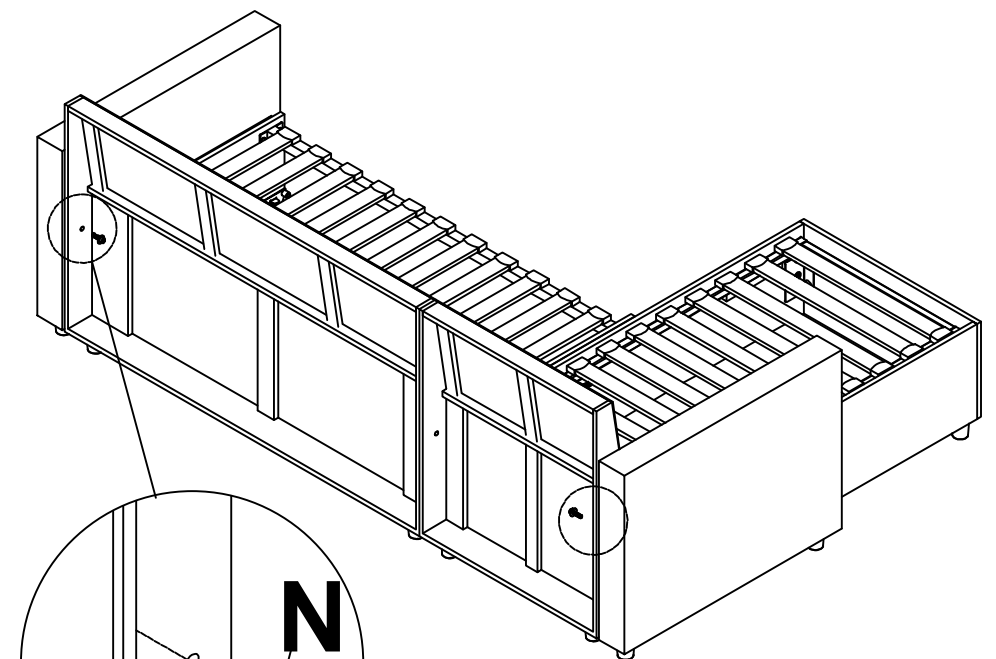
STEP 10 The right-side of the chaise insert the left side of two-seater





STEP 11



STEP 12

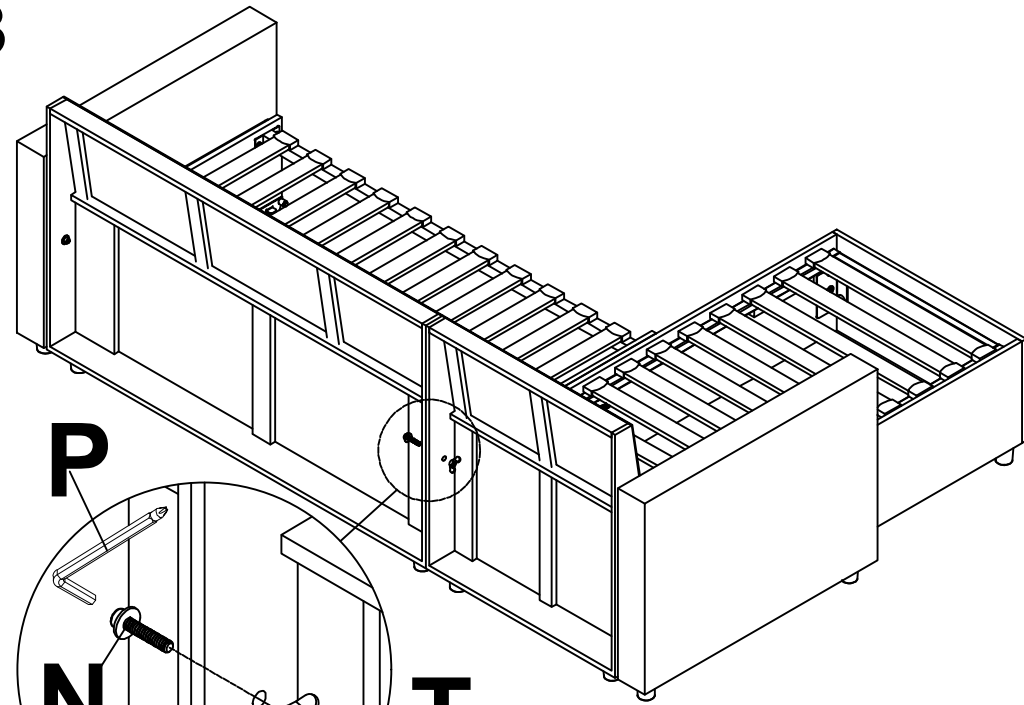


- | | |
|---|----------|
|  | N x 2pcs |
|  | P x 1pc |

Locking the screws

Plan A (When the CHAISE is on the left)

STEP 13






P

N

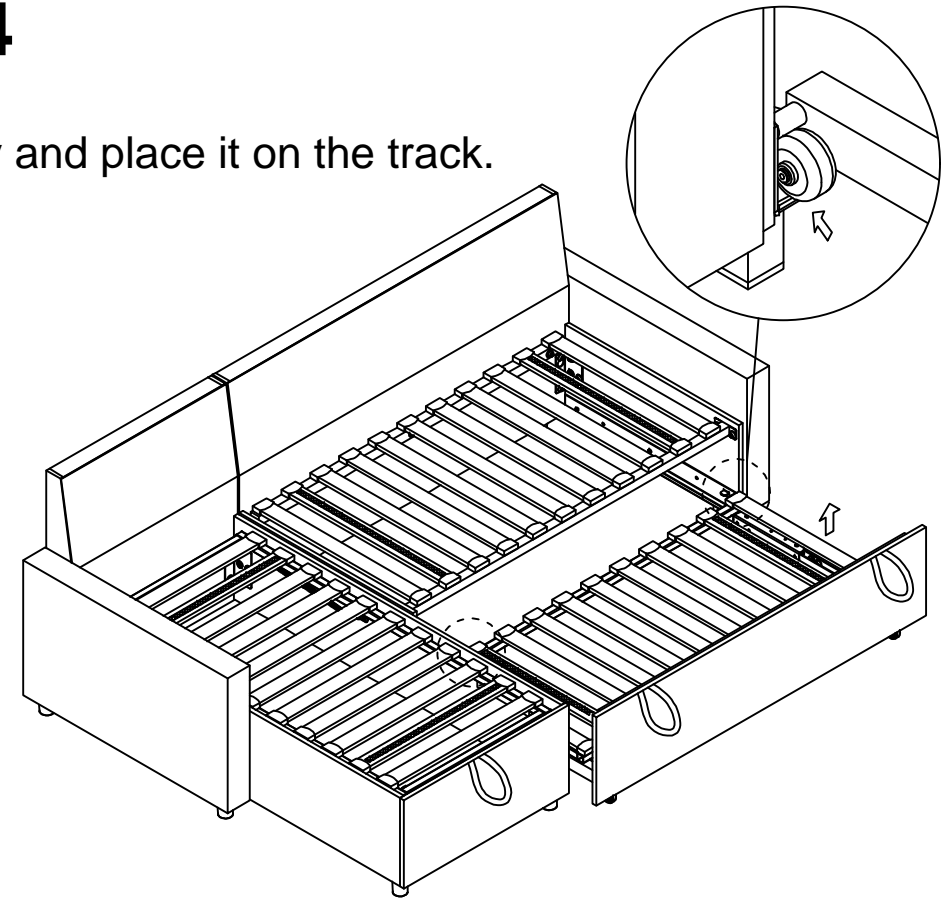
T

Screw through hole and tighten with butterfly nut.

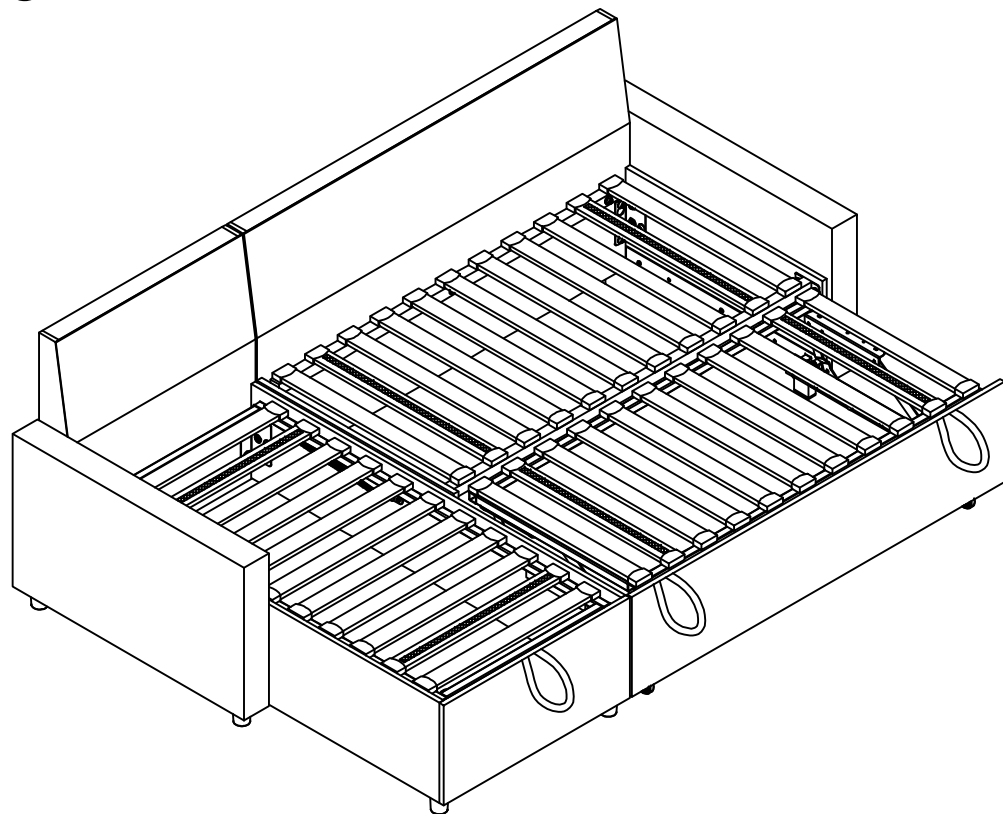
	P x 1pc
	N x 1pc
	T x 1pc

STEP 14

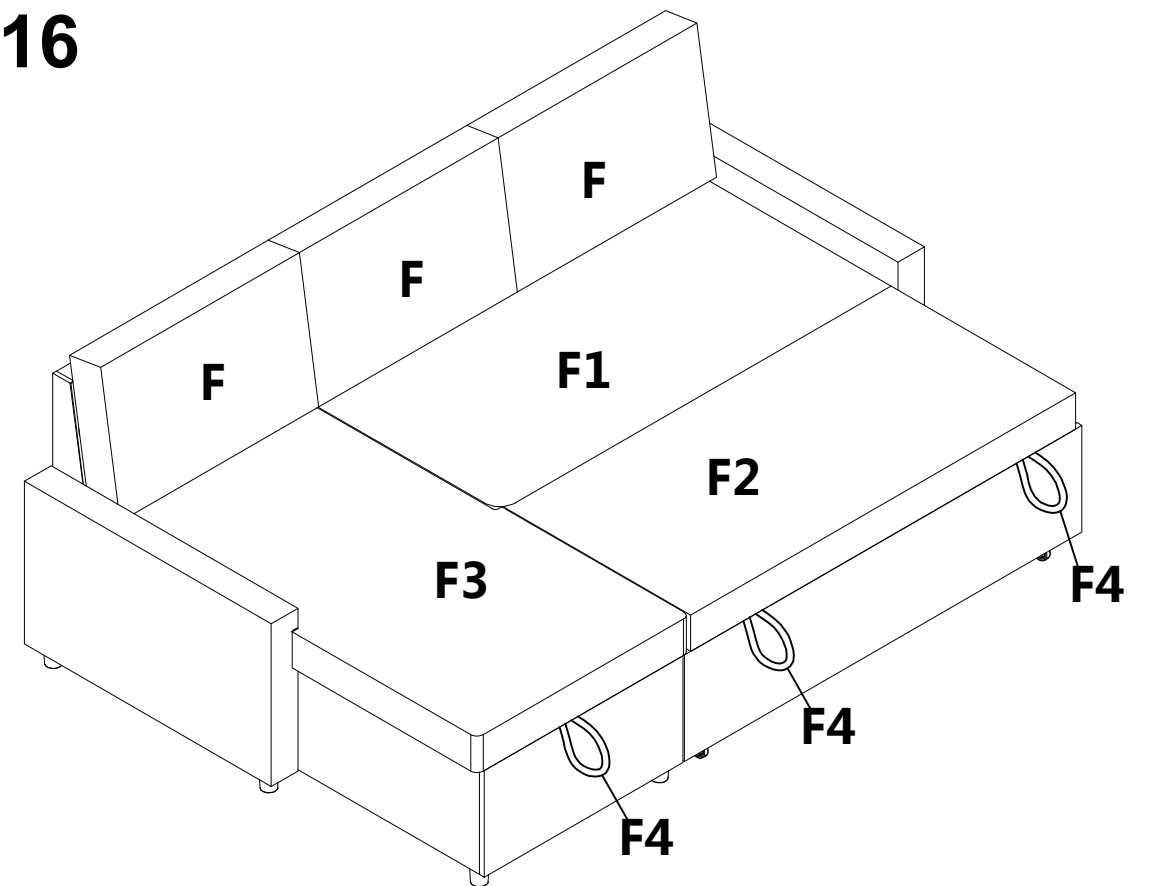
Life it slightly and place it on the track.



STEP 15

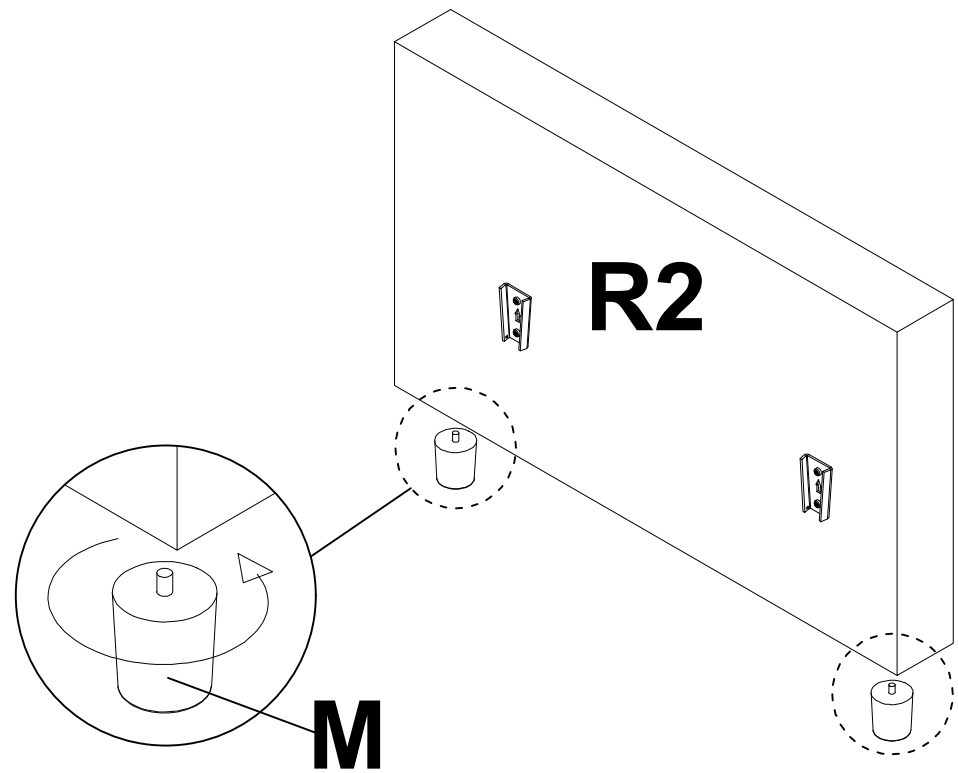


STEP 16

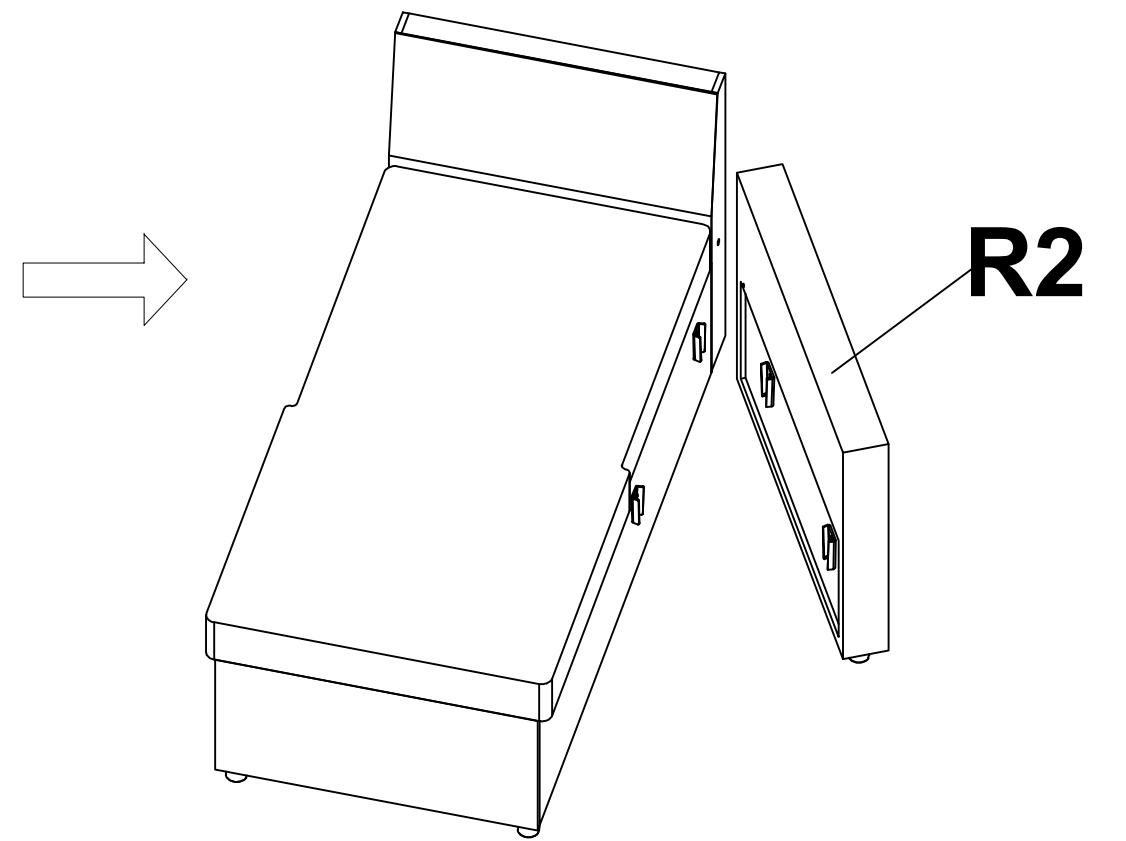


Plan B (When the CHAISE is on the right)

STEP 1

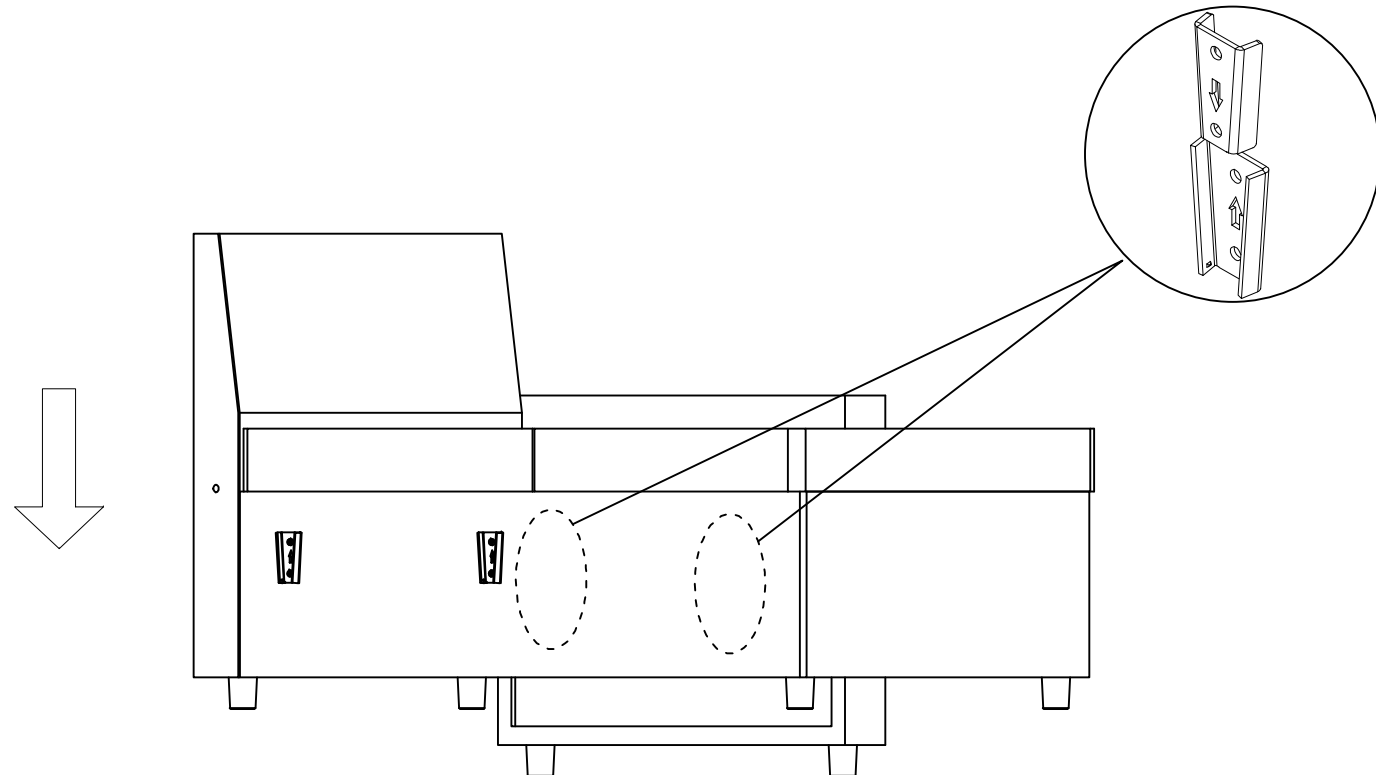


STEP 2

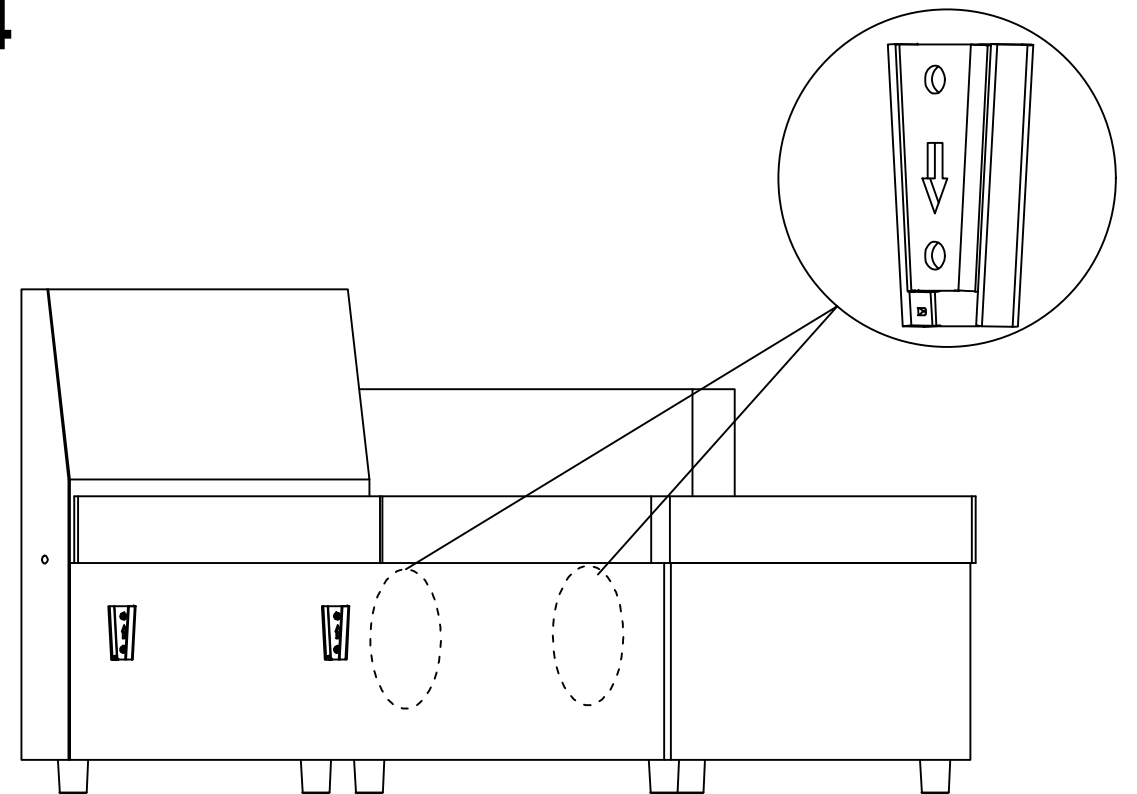


STEP 3

The right-side of the chaise insert the right side armrest

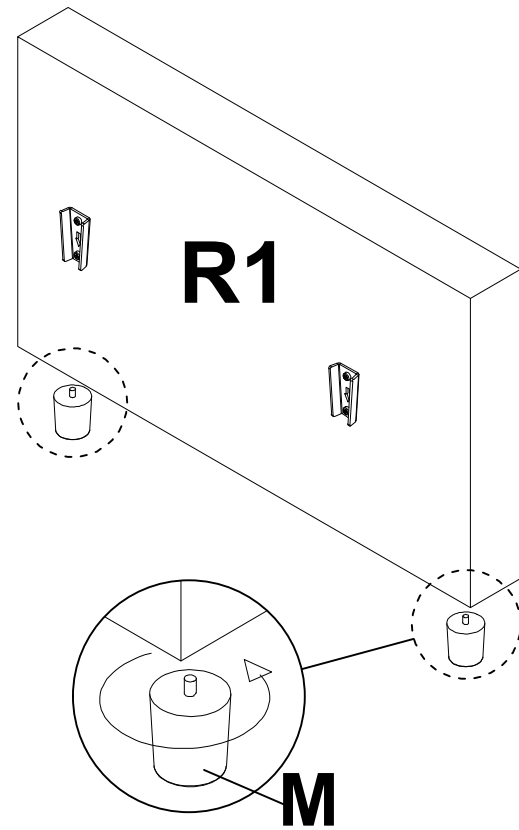


STEP 4

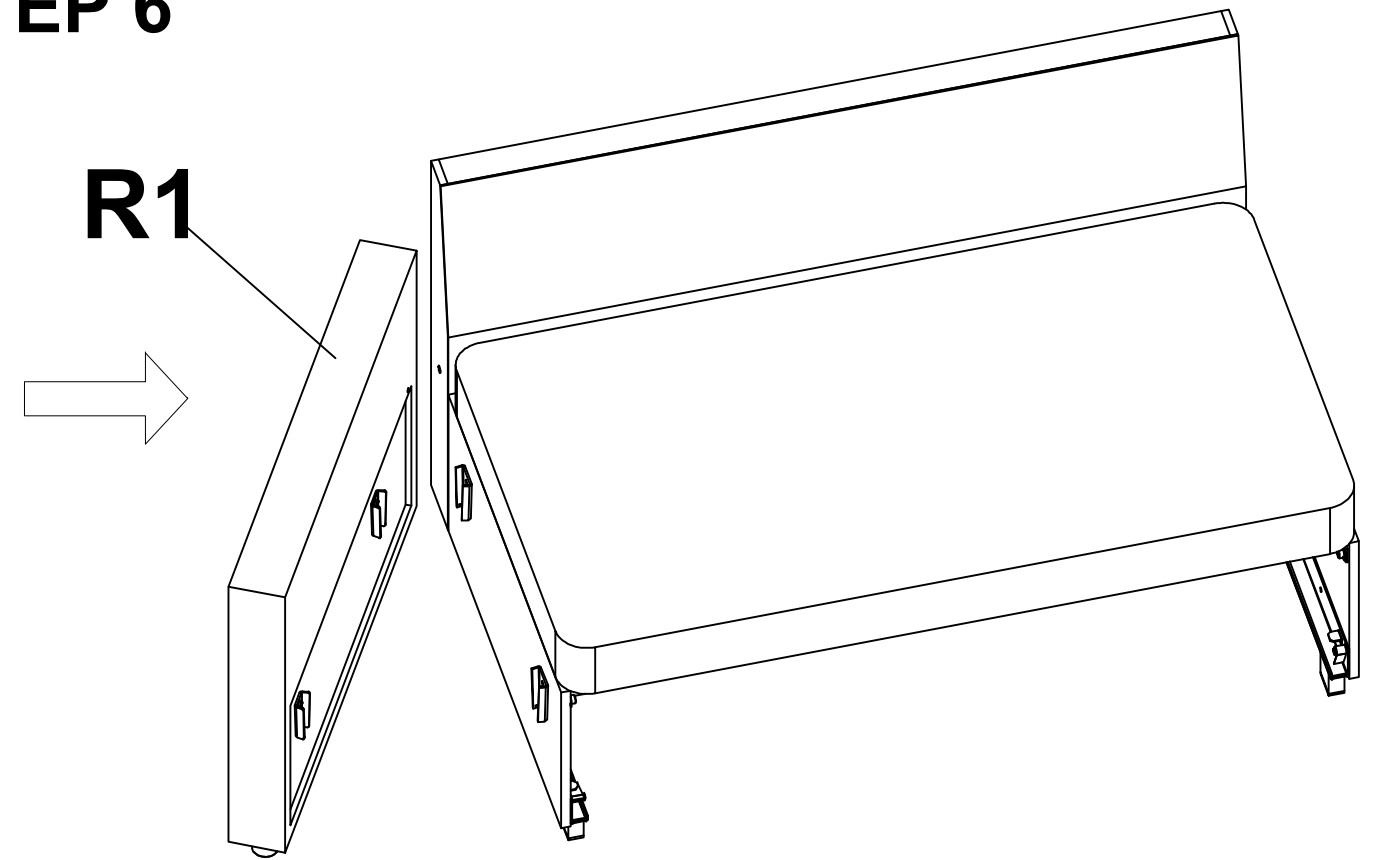


Plan B (When the CHAISE is on the right)

STEP 5

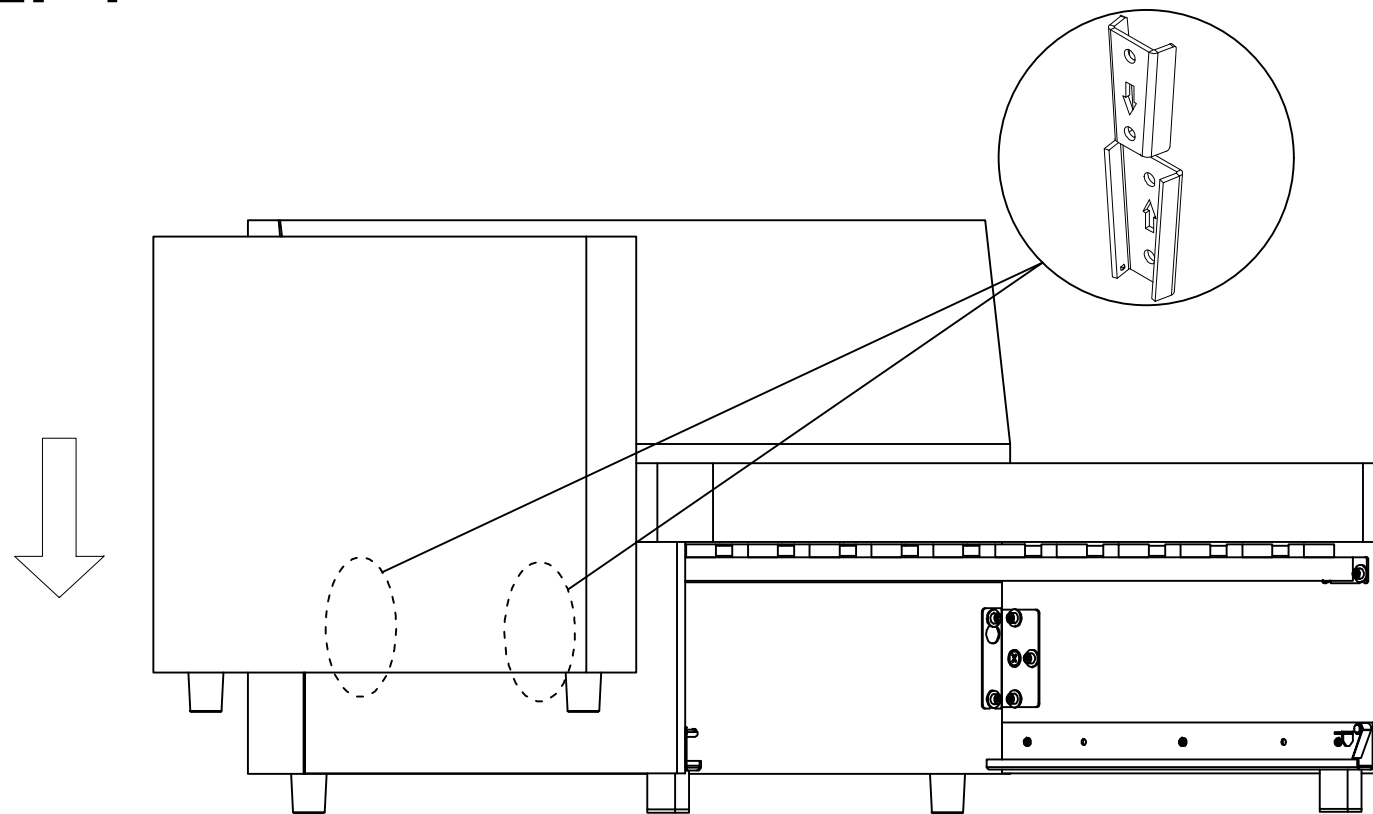


STEP 6

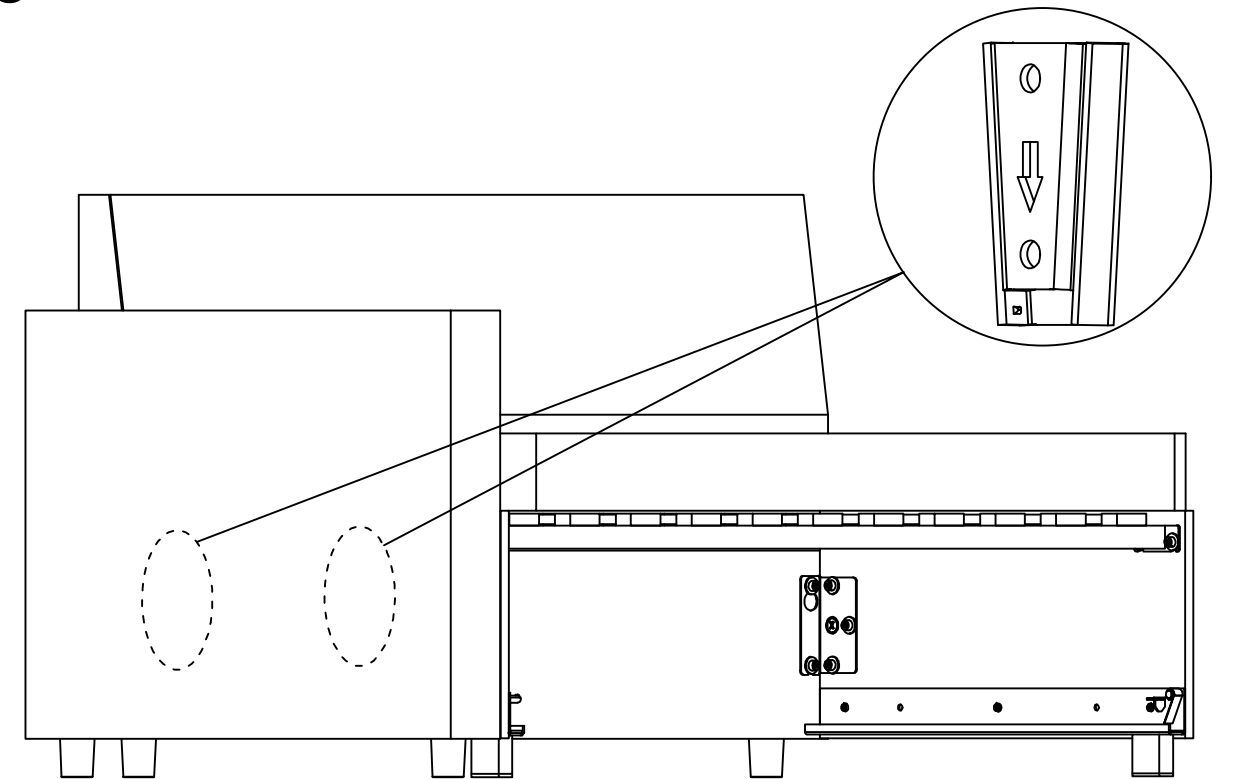


STEP 7

Insert the left armrest into the left side of the two-seater

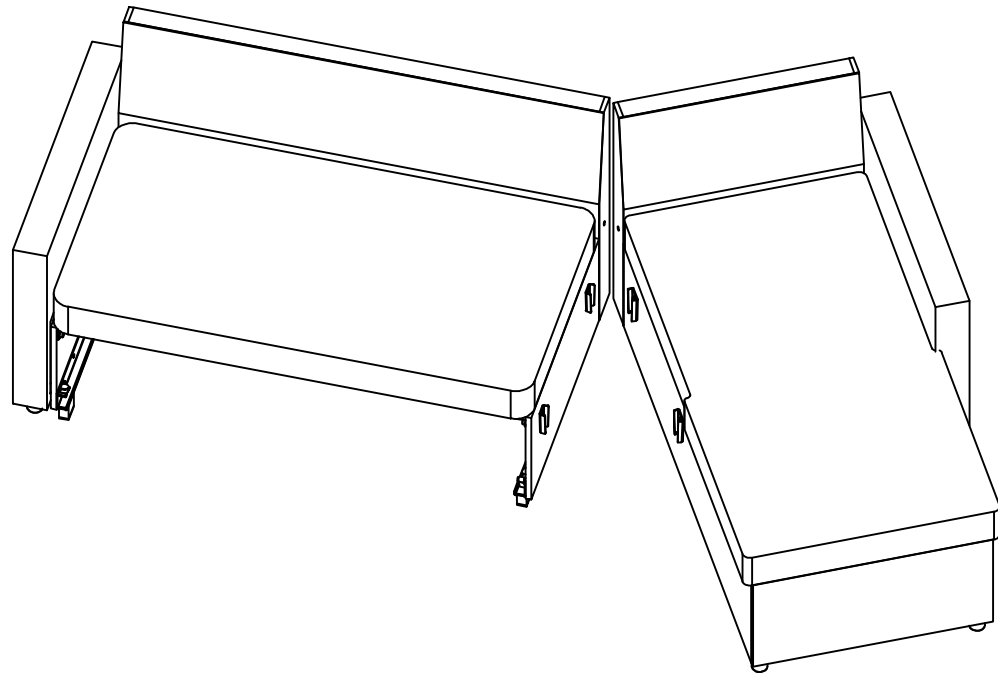


STEP 8



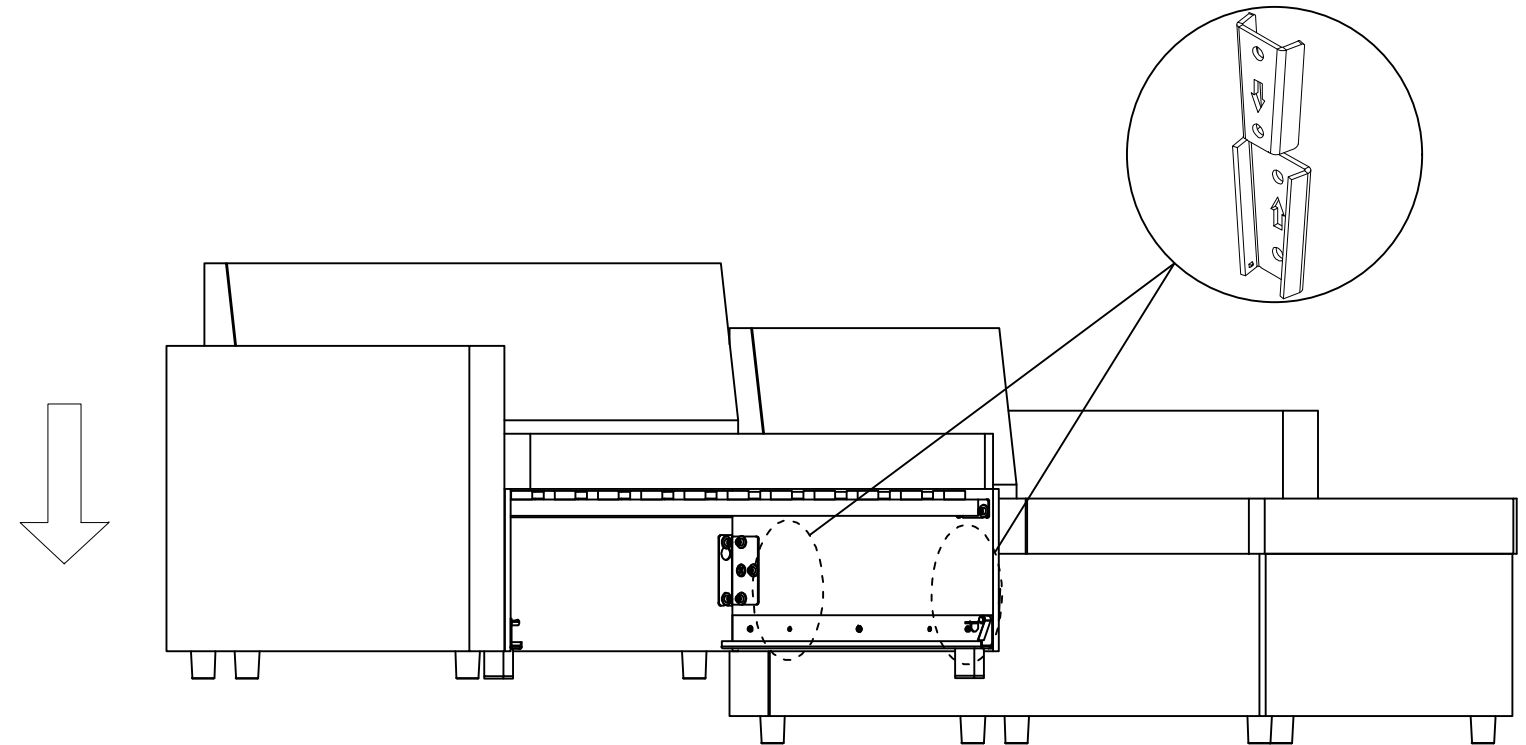
Plan B (When the CHAISE is on the right)

STEP 9

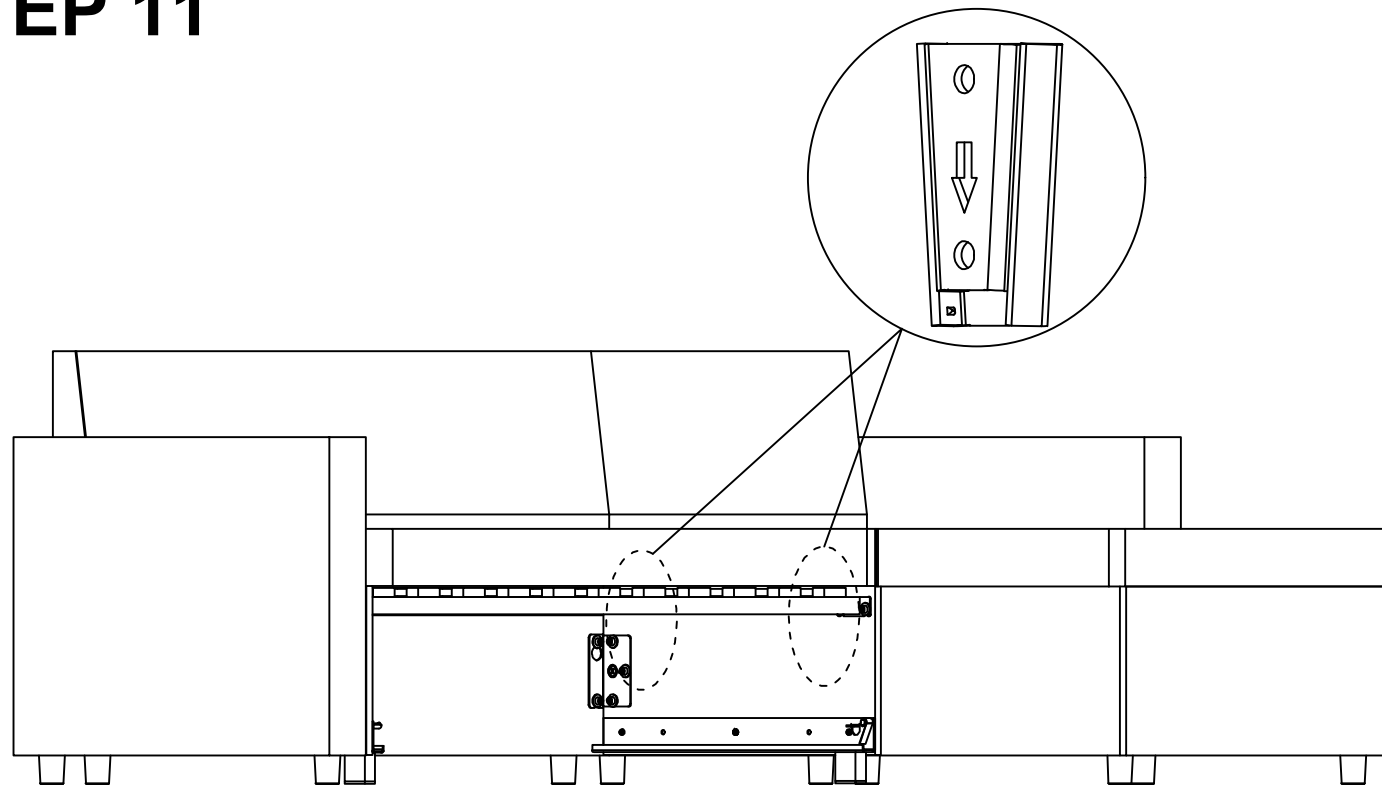


STEP 10

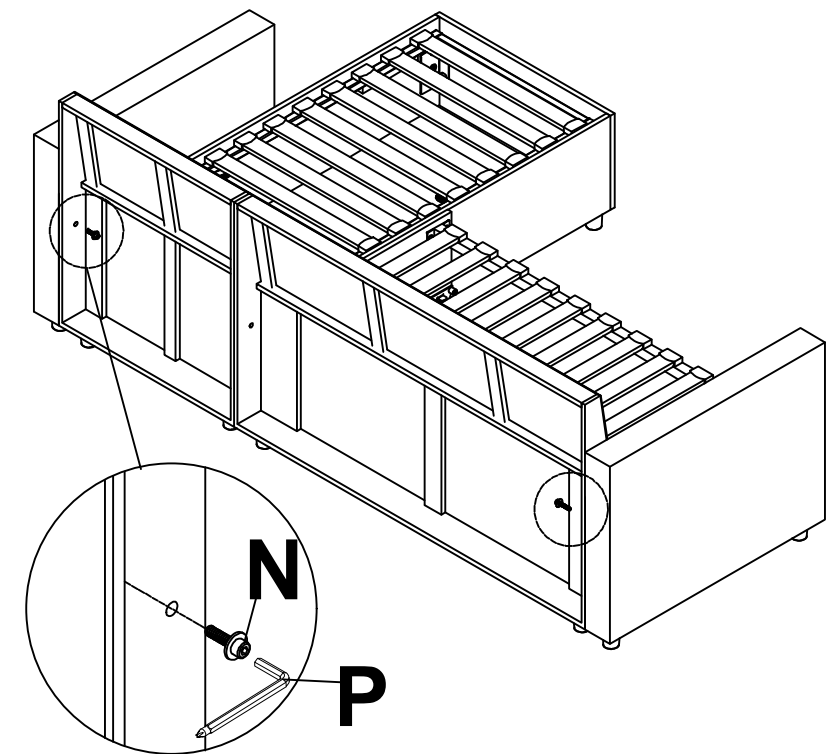
The right-side of two-seater insert the left side of chaise





STEP 11



STEP 12

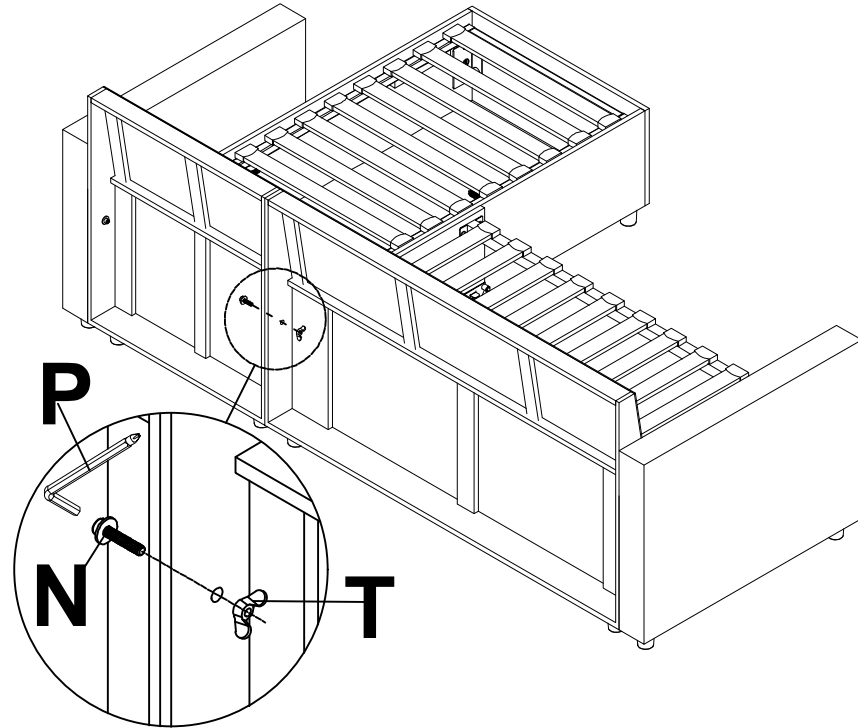





	N x 2pcs
	P x 1pc

Locking the screws

Plan B (When the CHAISE is on the right)

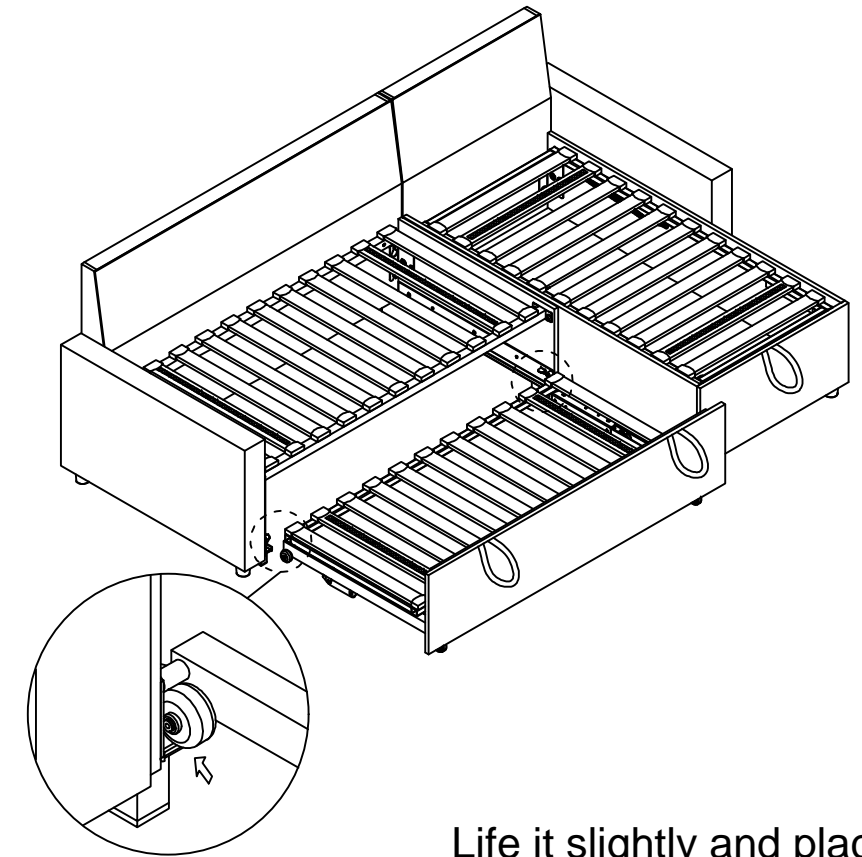
STEP 13



	P x 1pc
	N x 1pc
	T x 1pc

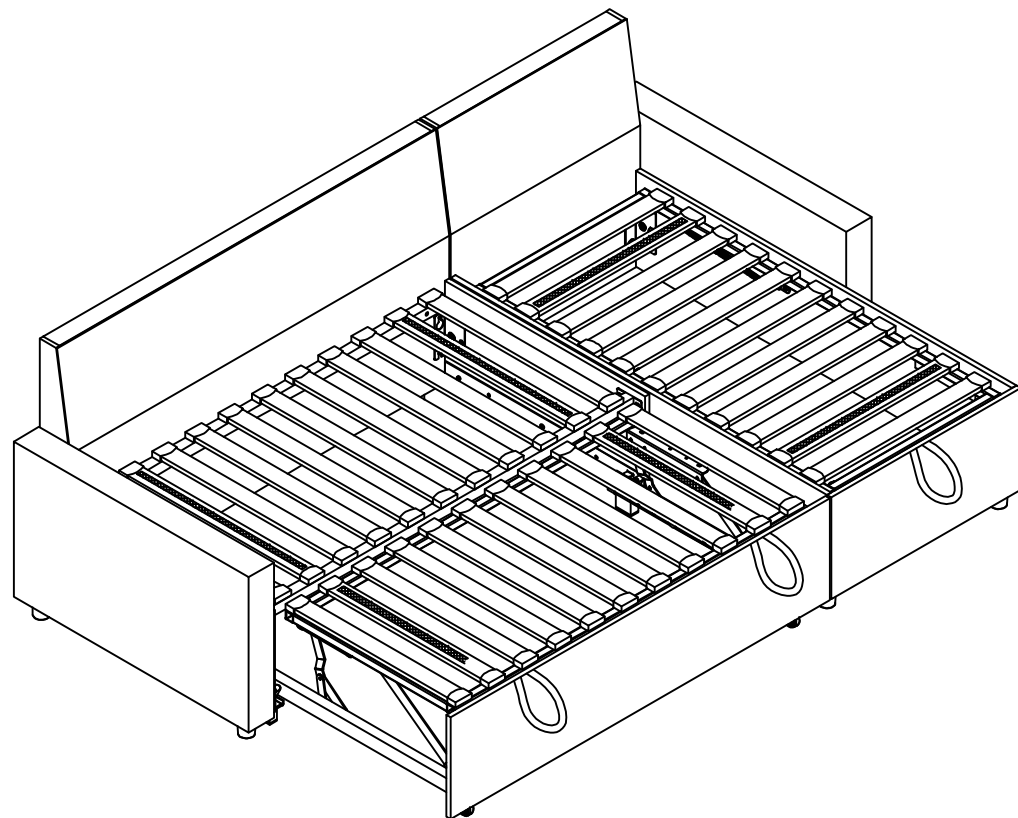
Screw through hole and tighten with butterfly nut.

STEP 14

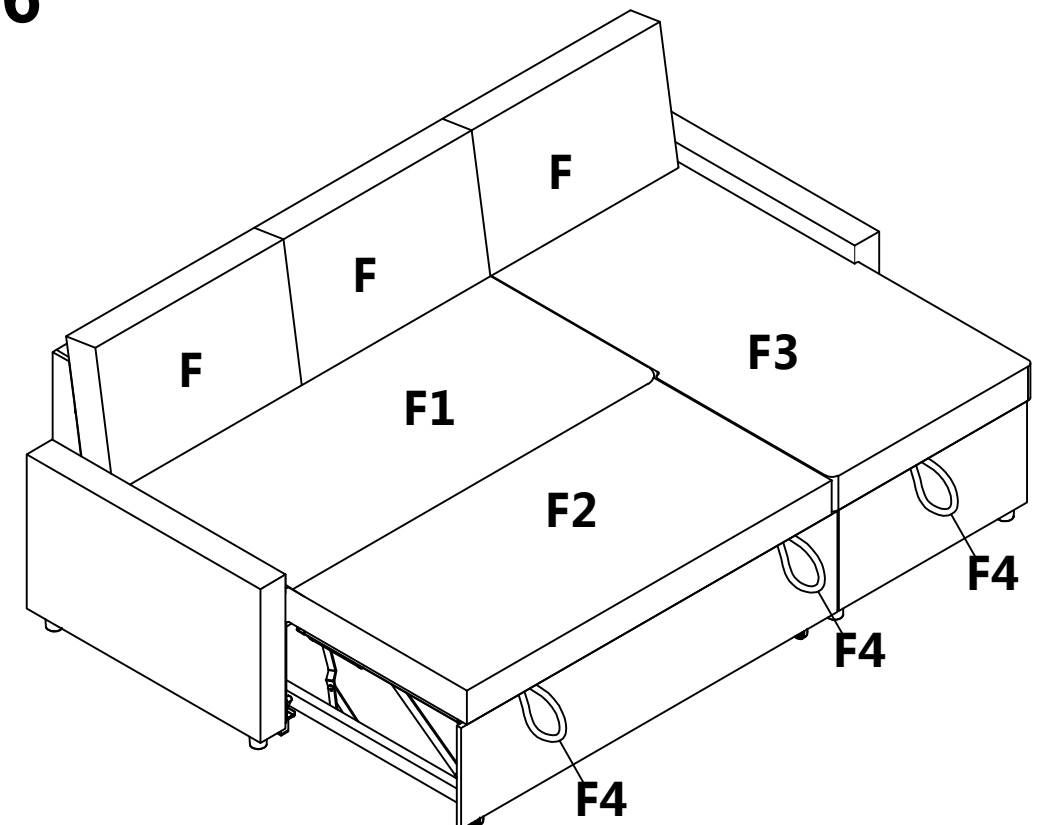


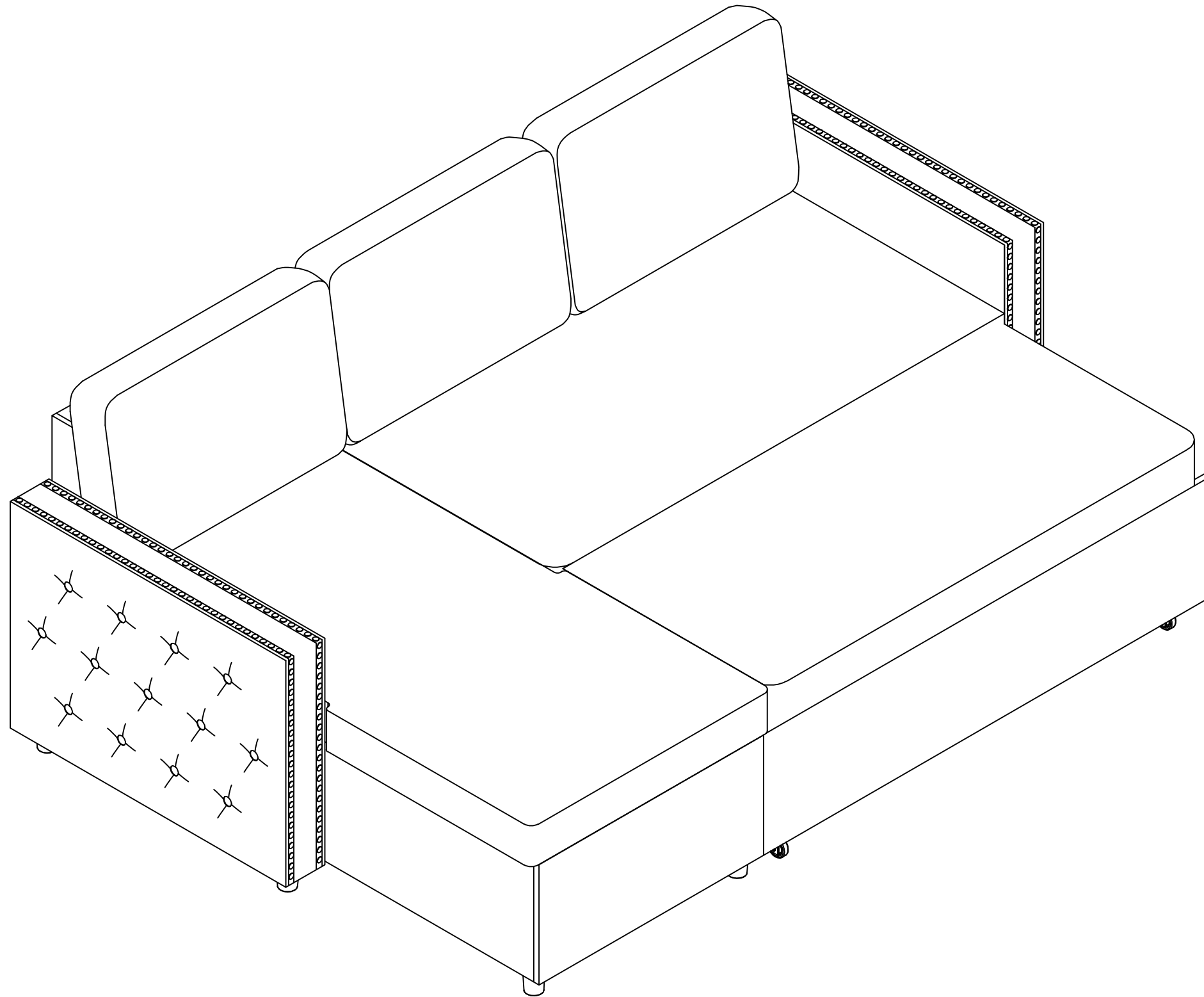
Life it slightly and place it on the track.

STEP 15



STEP 16





finished product display