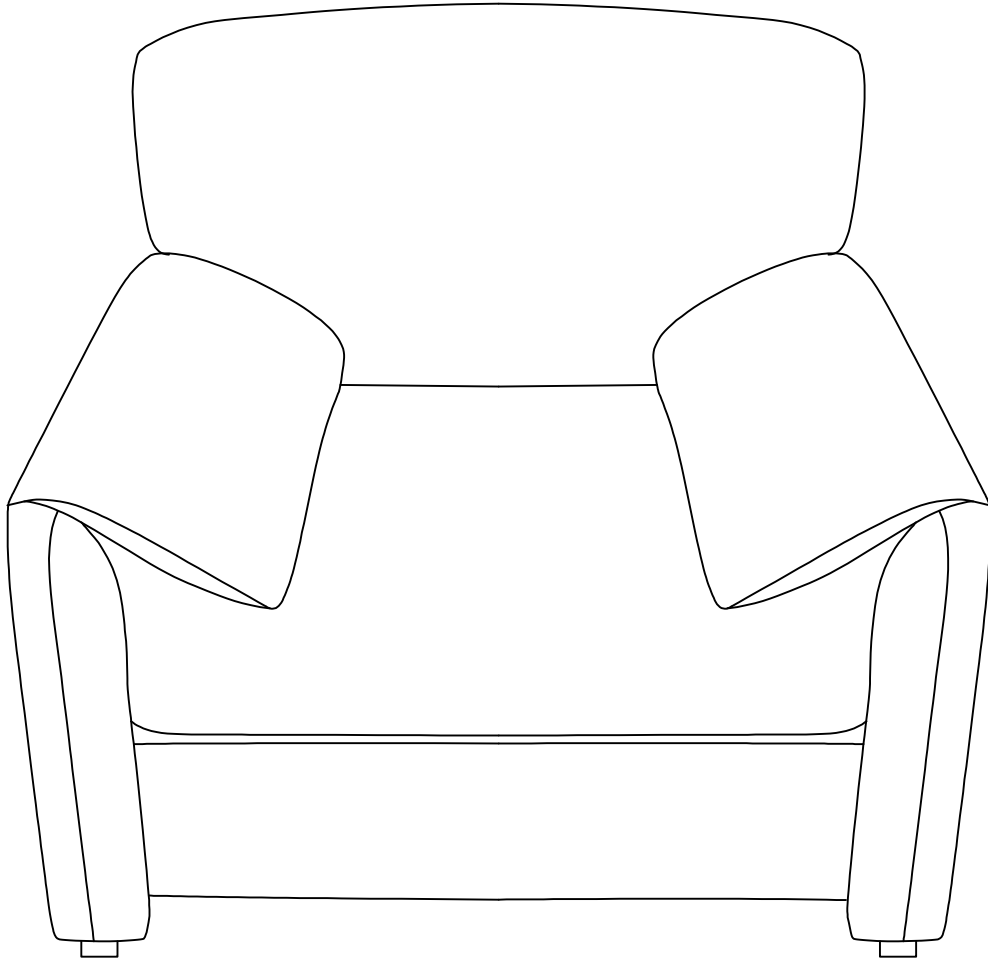


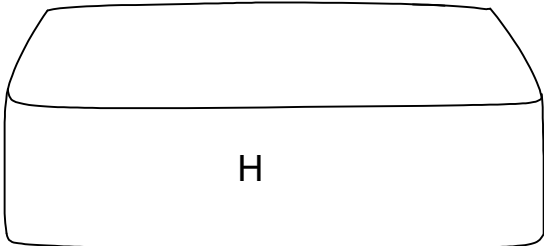
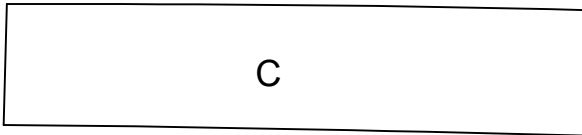
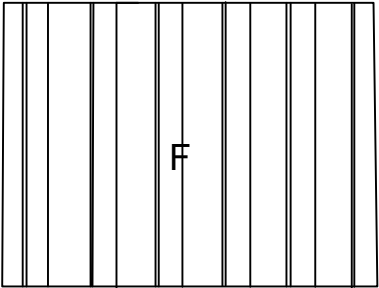
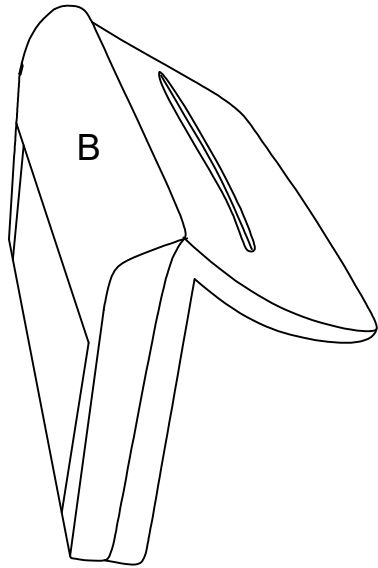
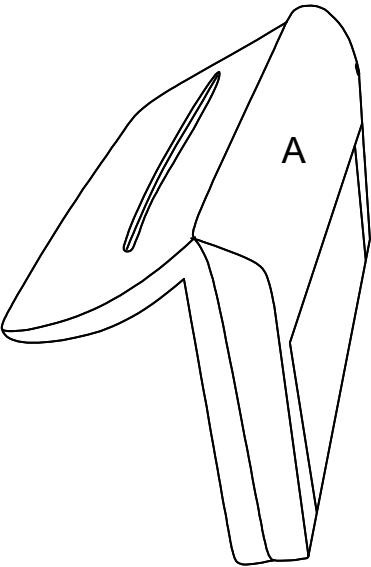
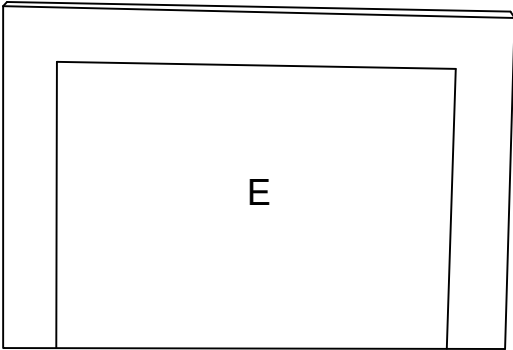
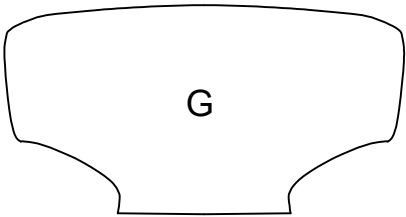
ASSEMBLY INSTRUCTIONS





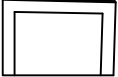
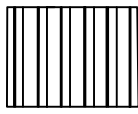
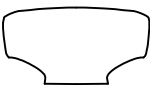
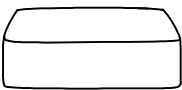
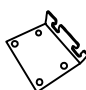
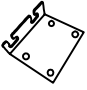
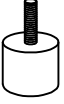







NOTE:


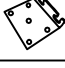

1. When receiving the goods, please confirm the product according to the instructions. Once you find less pieces, please provide relevant pictures to contact us. We will deal it in the time.
2. Please install goods with the instruction manual.
3. It is recommended that the installation should not be too tight to adjust easily. After the structure is installed, firm the interface for more stability.

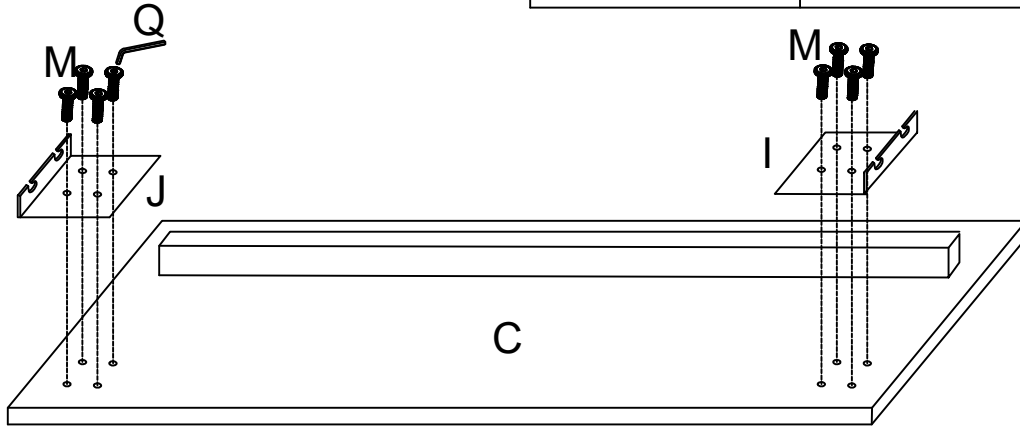
COMPONENTS



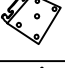


NO	PARTS	QTY	DESCRIPTION
A		1PC	Left armrest
B		1PC	Right armrest
C		1PC	Front plate
D		1PC	Back plate
E		1PC	Backrest
F		1PC	Bottom straps
G		1PC	Back cushion
H		1PC	Seat cushion
I		2PCS	Left connecting piece
J		2PCS	Right connecting piece
K		4PCS	Legs
L		8PCS+1	Screws M6X20mm
M		20PCS+1	Screws M6X16mm
N		8PCS+1	Washers
O		2PCS	Hang-parcel
P		1PC	Wrench

1 Install the J&I to the front plate C with screws M.

CODE	HARDWARE	QTY
J		1
I		1
M	 M6X16mm	8







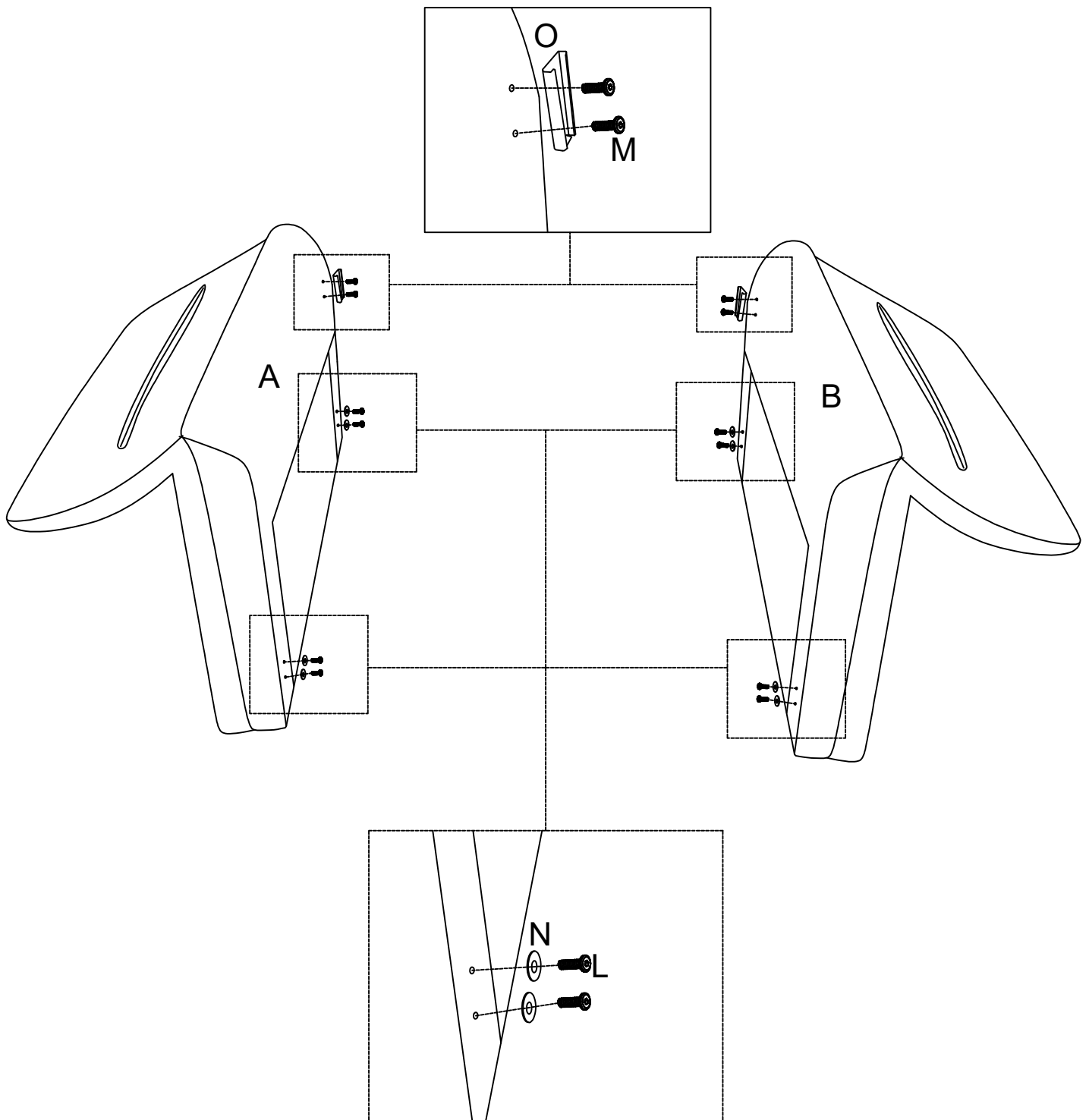
2 Install the J&I to the back plate D with screws M.

CODE	HARDWARE	QTY
J		1
I		1
M	 M6X16mm	8

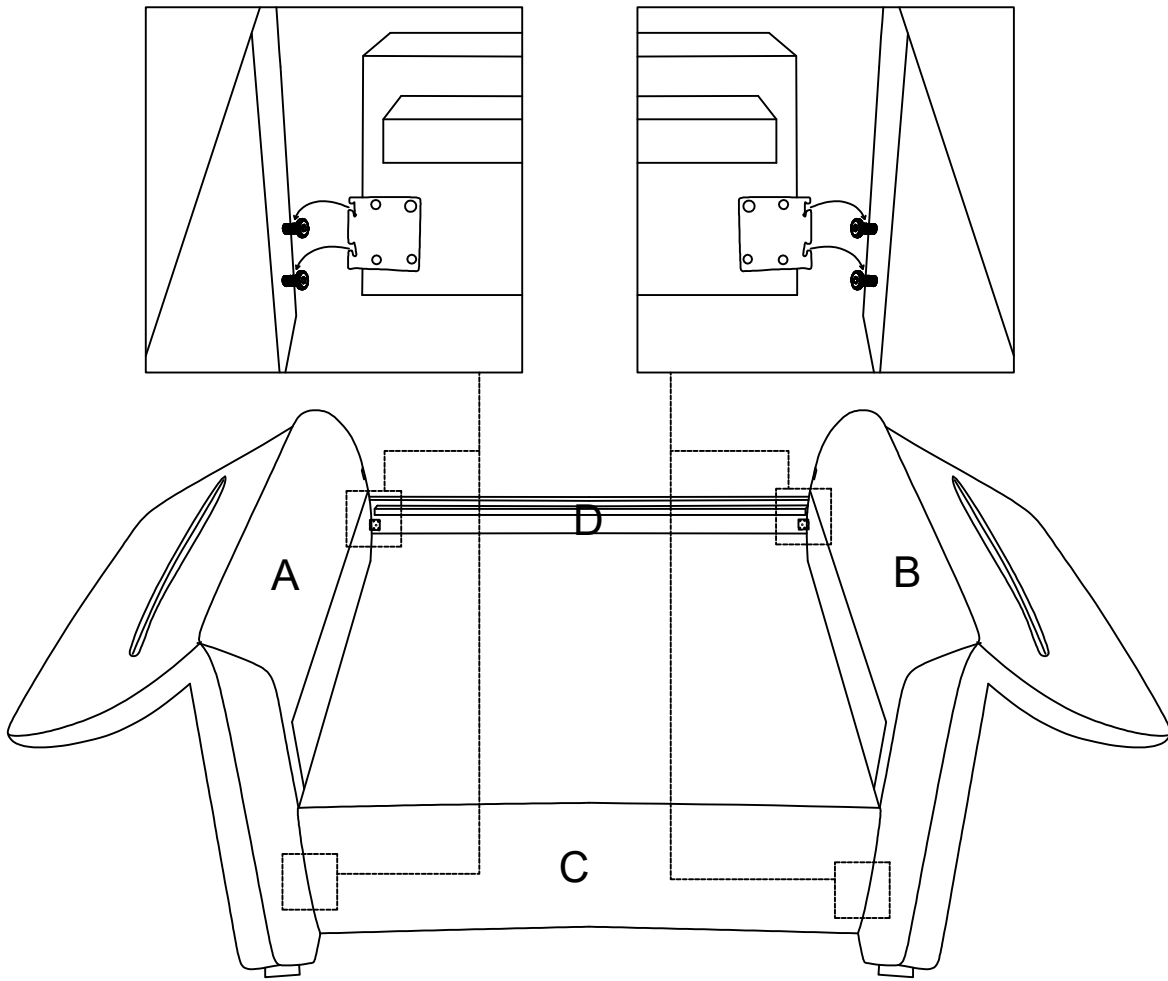


3 Install the hanging piece O to the arms A&B with screw N. And install the screws L and washers M. Note:Screws should be only be 70% tight.

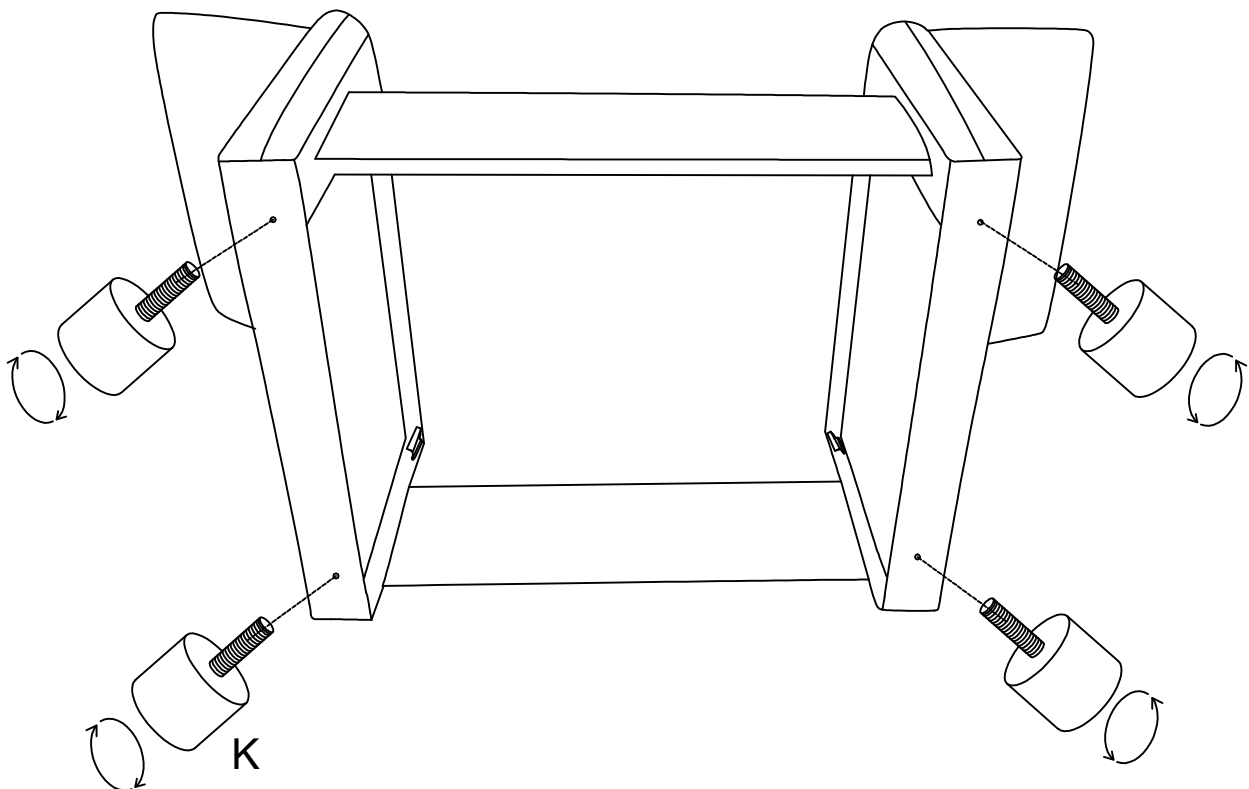
CODE	HARDWARE	QTY
O		2
L	 M6X20mm	8
M	 M6X16mm	8
N		8



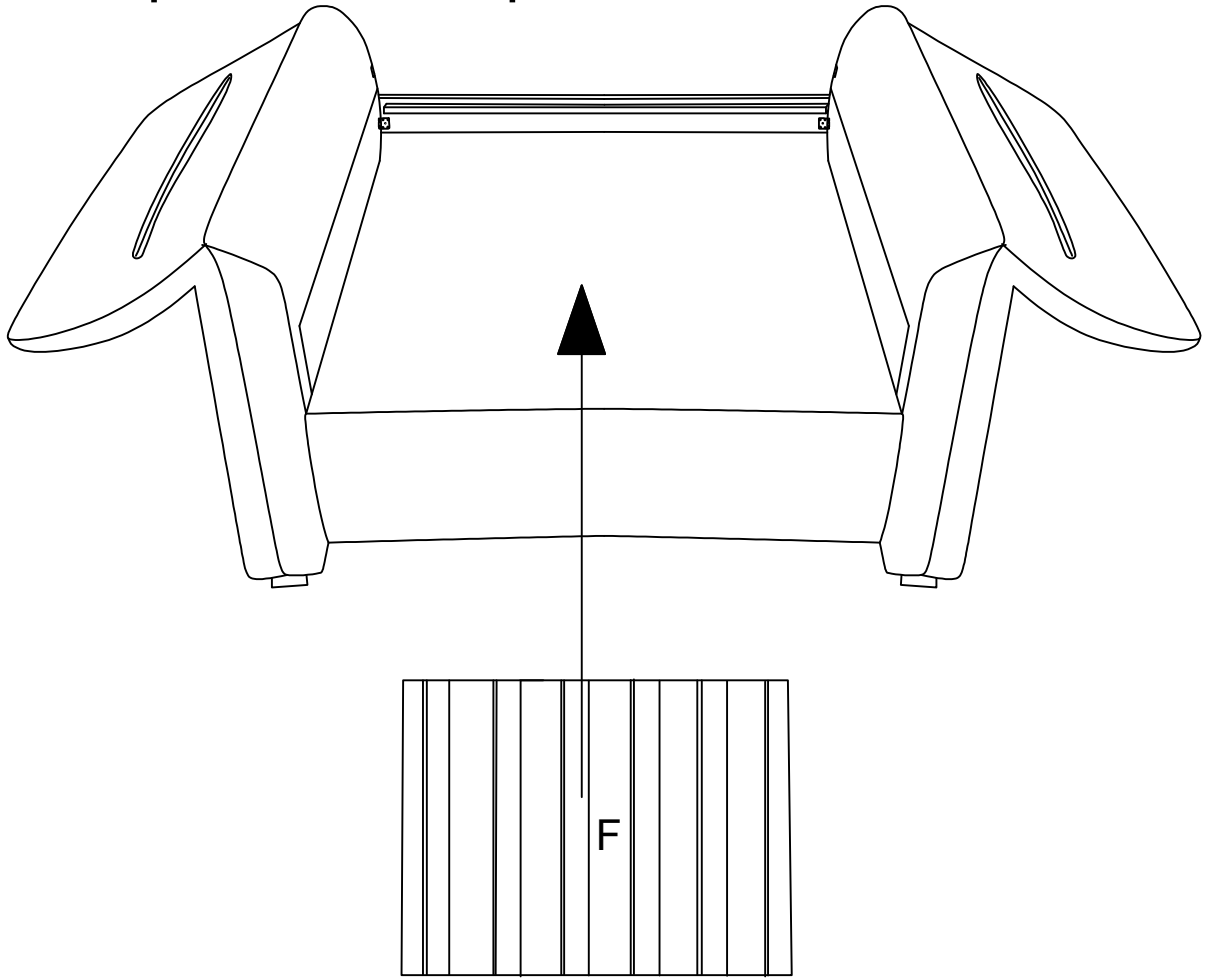
4 Assembly the front plate C and the back plate D to the armrests A&B.



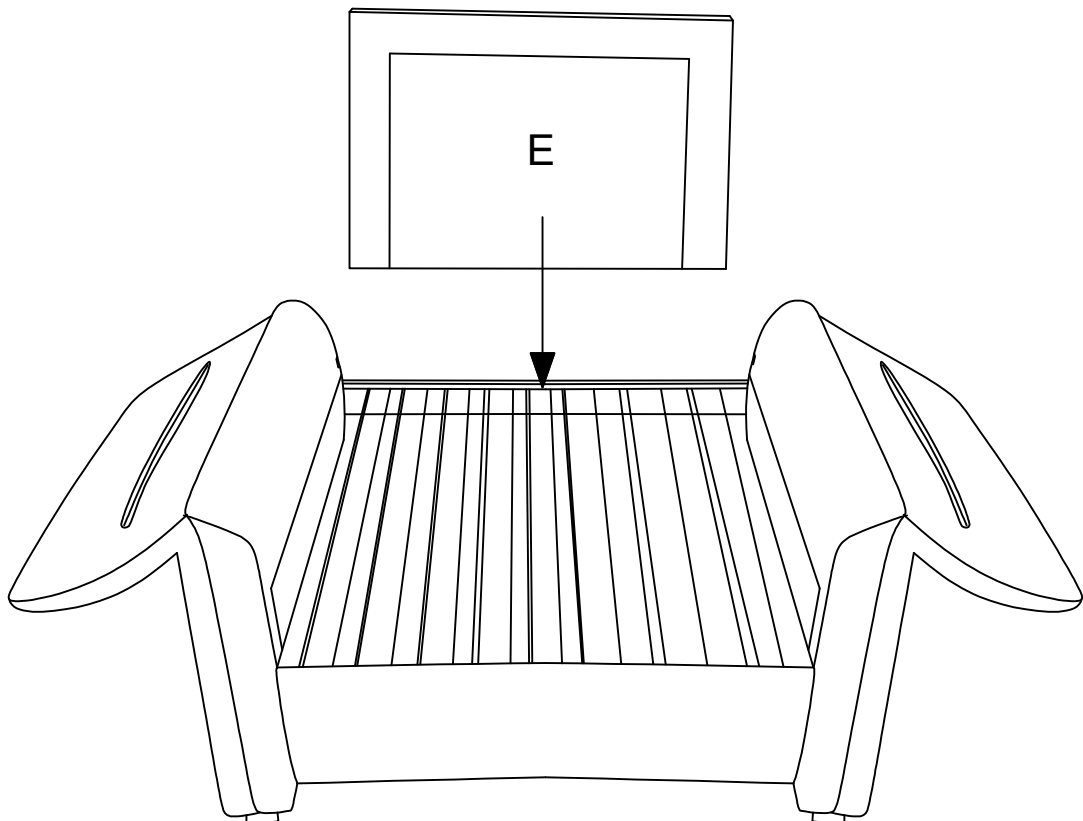
5 Screw in legs K clockwise until secure.



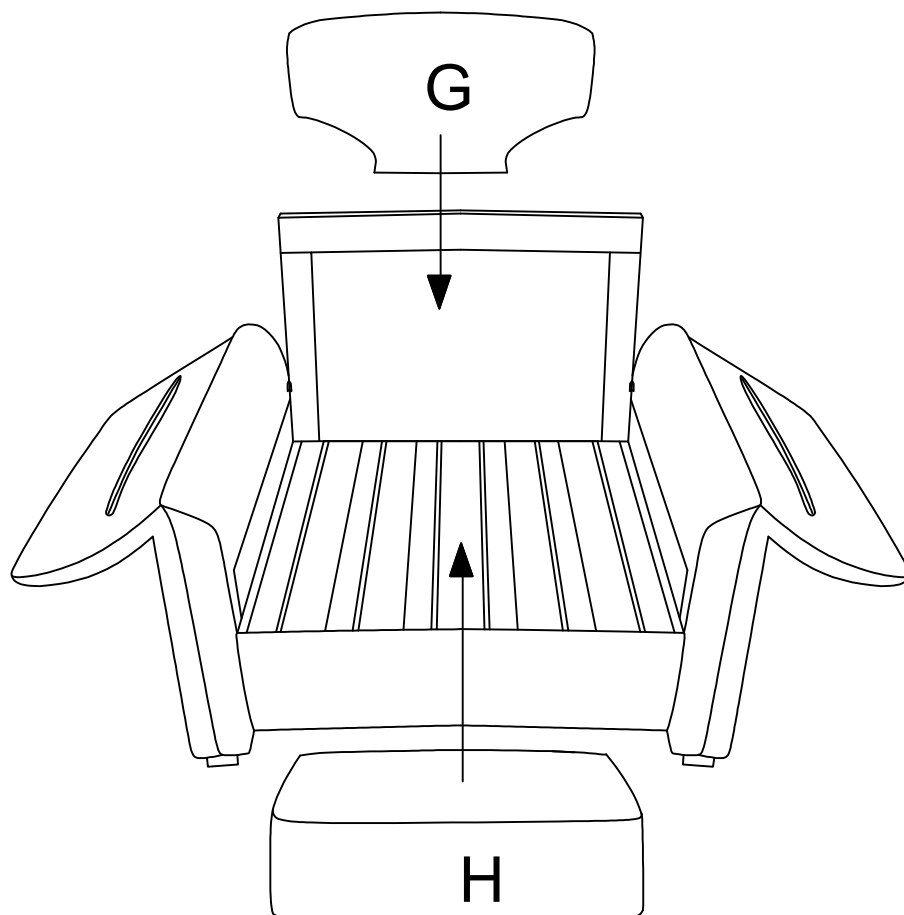
6 Put the part F to the plate.



7 Insert the backrest E to the hang-parcel of armrests.



8 Put the back cushion G and seat cushion H on the frame.



9

