

# **INSTRUCTION MANUAL**

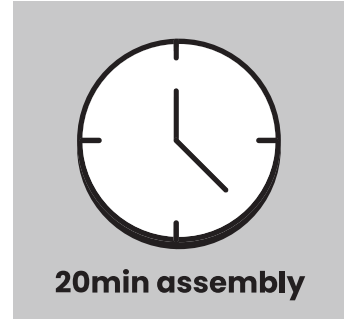
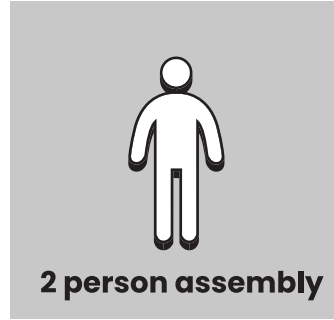
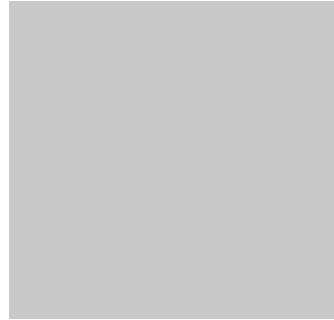
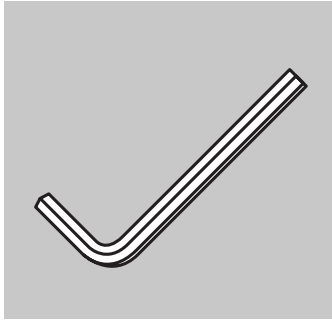
---

*ROCKING BED*

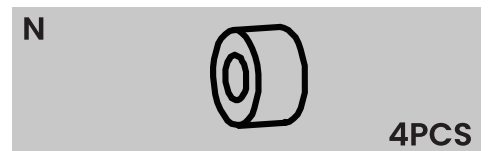
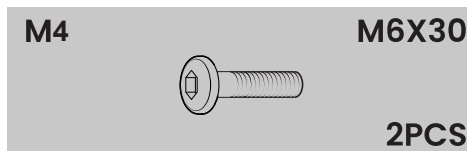
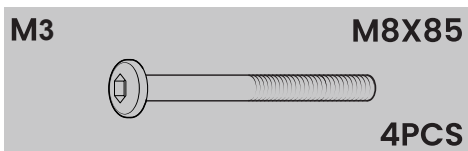
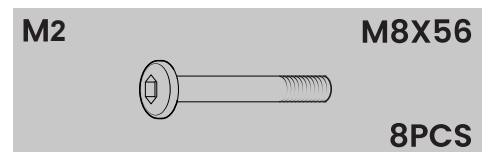
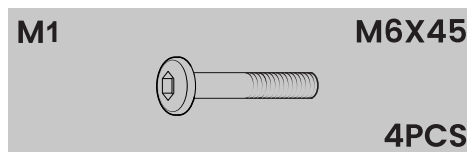
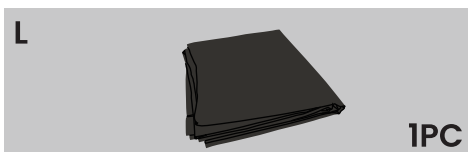
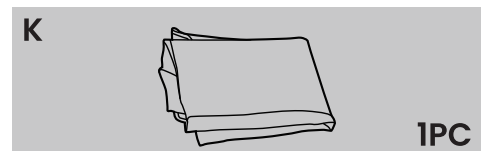
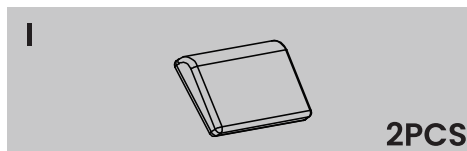
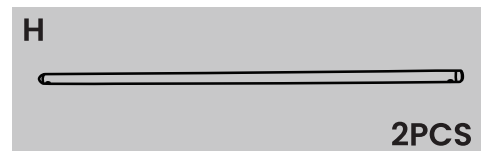
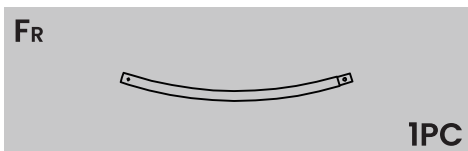
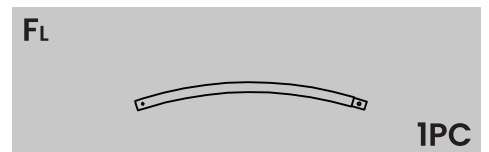
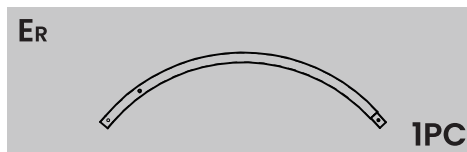
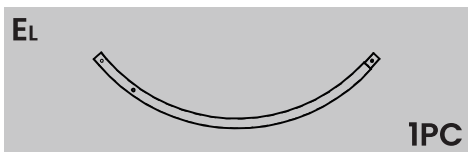
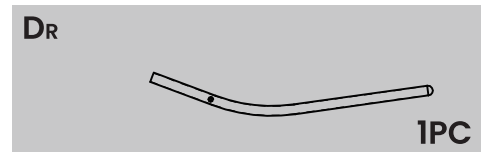
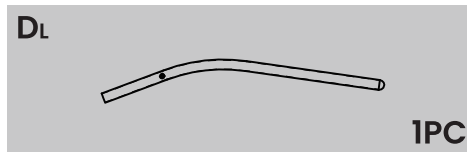
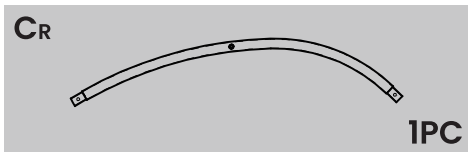
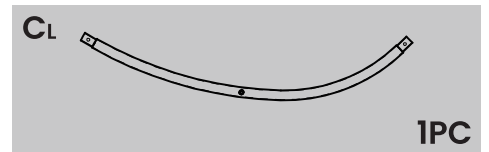
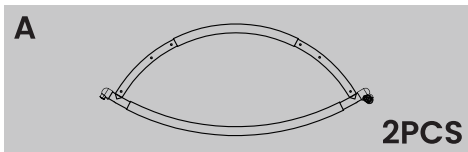
# BEFORE INSTALLATION

- Please list all parts as below first to check if any part is missing and make assembly easier.
- Do be careful that some parts are heavy and sharp.
- Please follow the assembly steps to install the product, if you find spare parts left, don't be worried, the left spare parts are prepared for bad ones if occurred.
- Once you hand tighten all of your bolts into place, we are going to use our wrench to fully tighten into place.
- Please do not exceed the bearing limitations of the product.
- Reconfirm that all bolts, screws, and knobs are secure every 90 days.
- Please retain these instructions for future reference.

# TOOLS REQUIRED



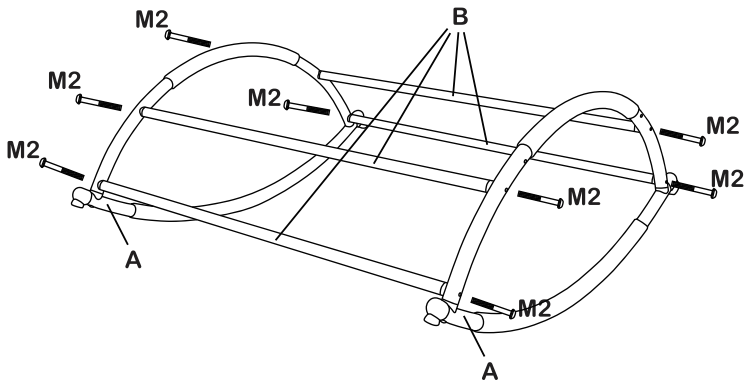
# PARTS



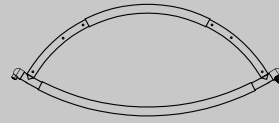
# ASSEMBLY

# PARTS REQUIRED

**1**



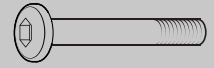
**A**



2PCS

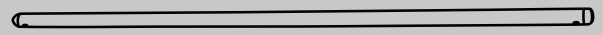
**M2**

M8X56



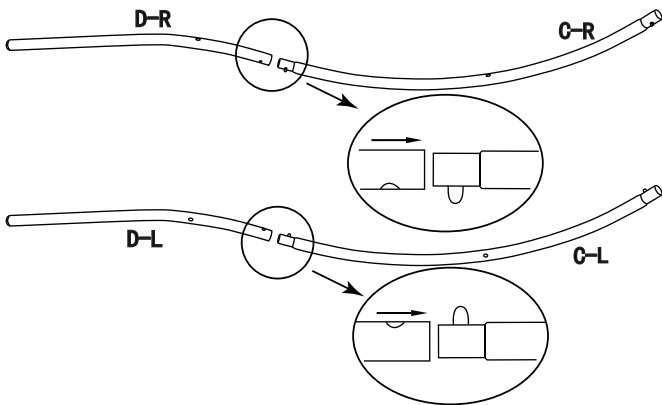
8PCS

**B**

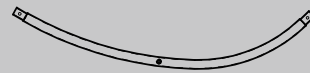


4PCS

**2**



**C L**



1PC

**C R**



1PC

**D L**



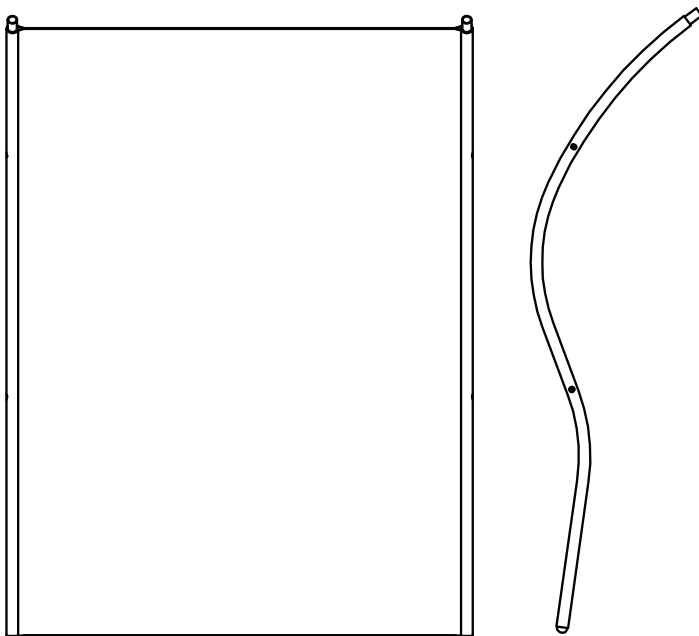
1PC

**D R**

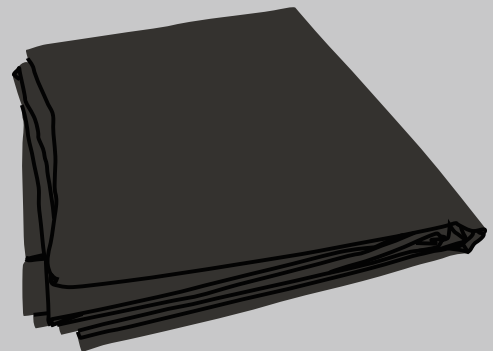


1PC

**3**

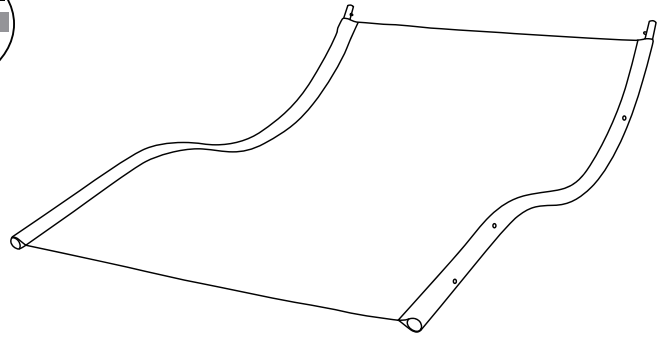
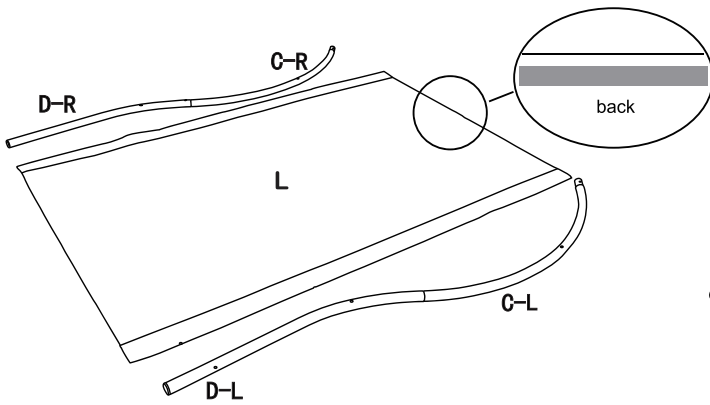


**L**

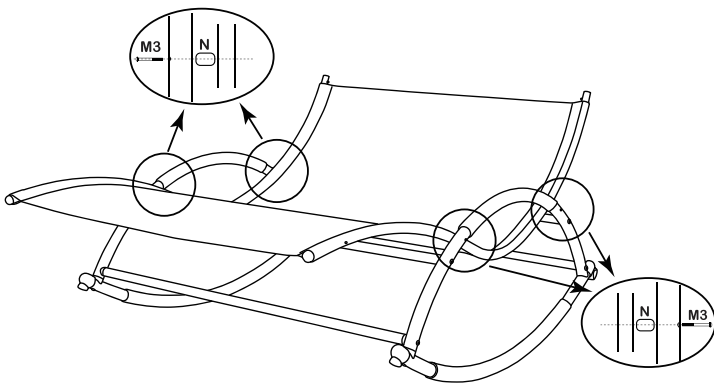


1PC

4

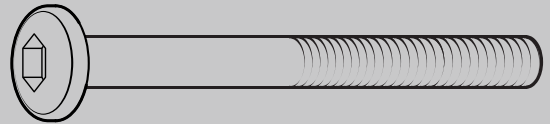


5



M3

M8X85



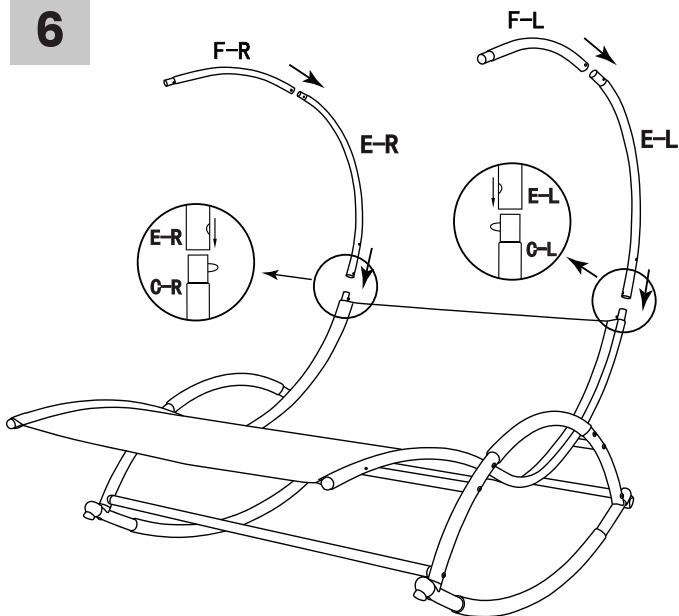
4PCS

N



4PCS

6



E L

E R



1PC



1PC

F L

F R



1PC

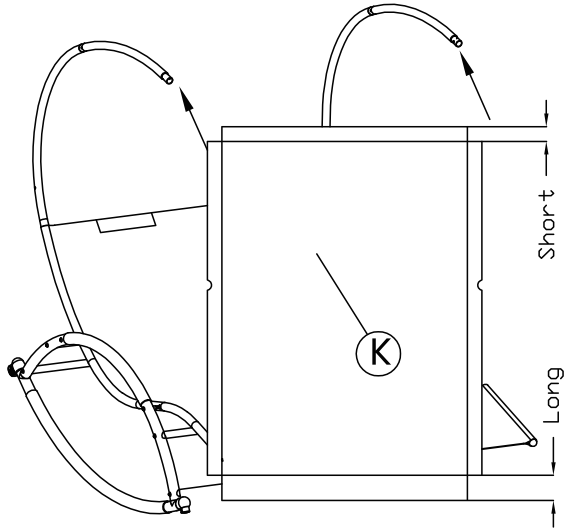


1PC

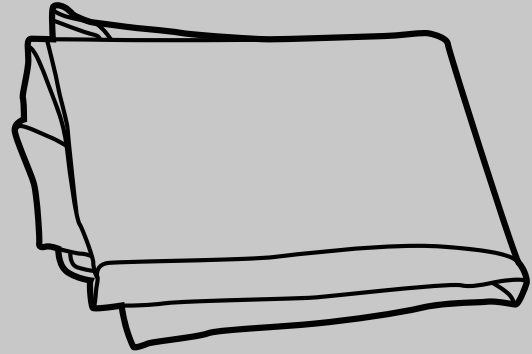
# ASSEMBLY

# PARTS REQUIRED

7

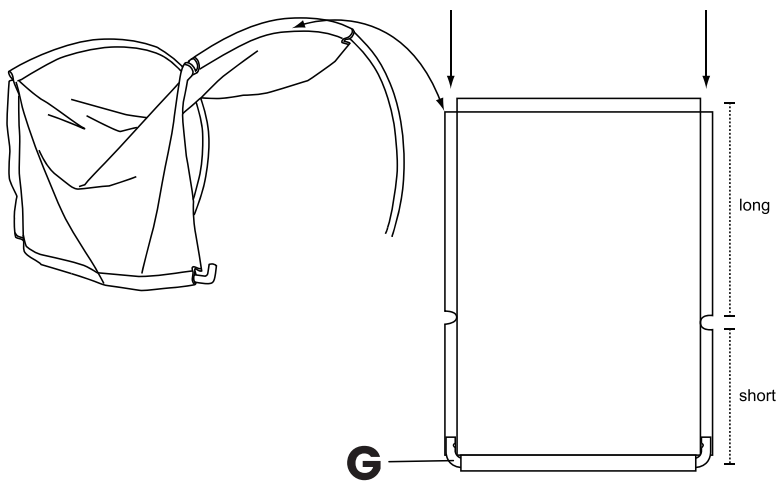


K



1PC

8



G

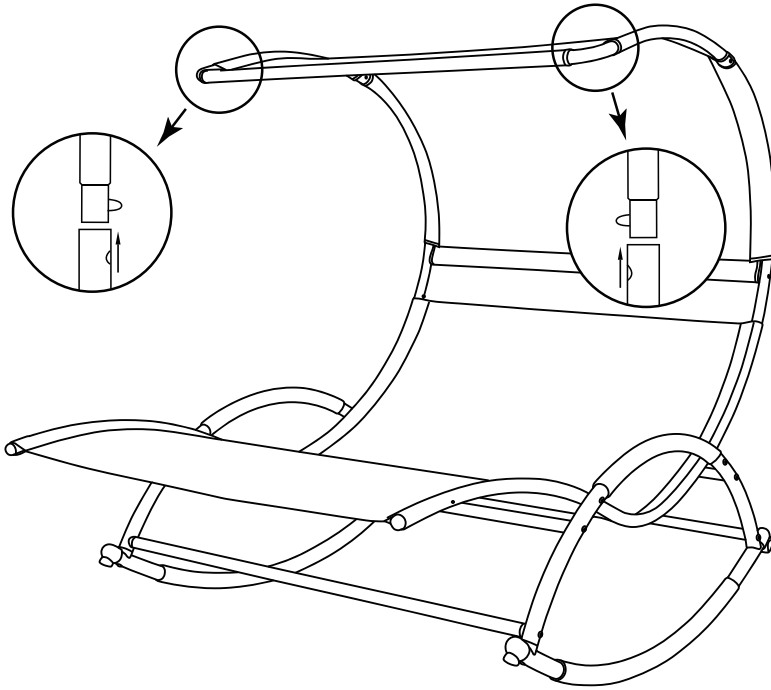


1PC

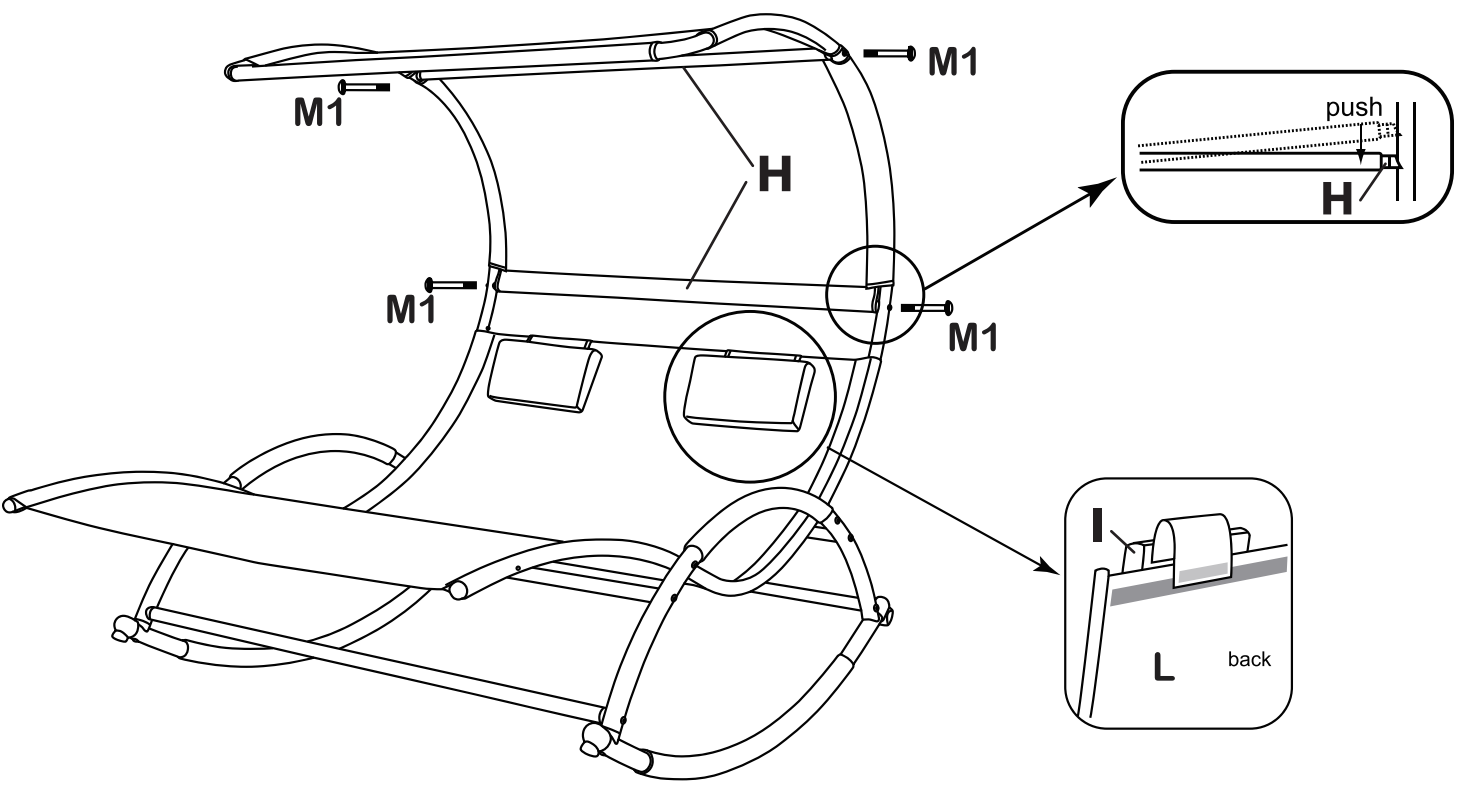
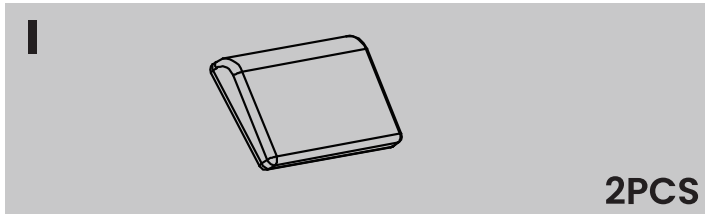
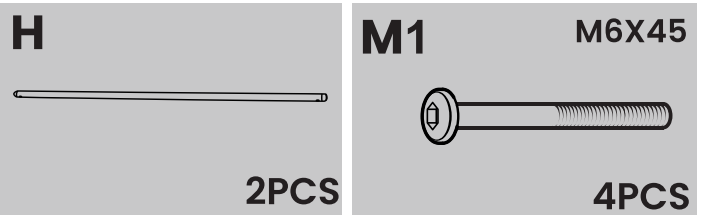
ASSEMBLY

PARTS REQUIRED

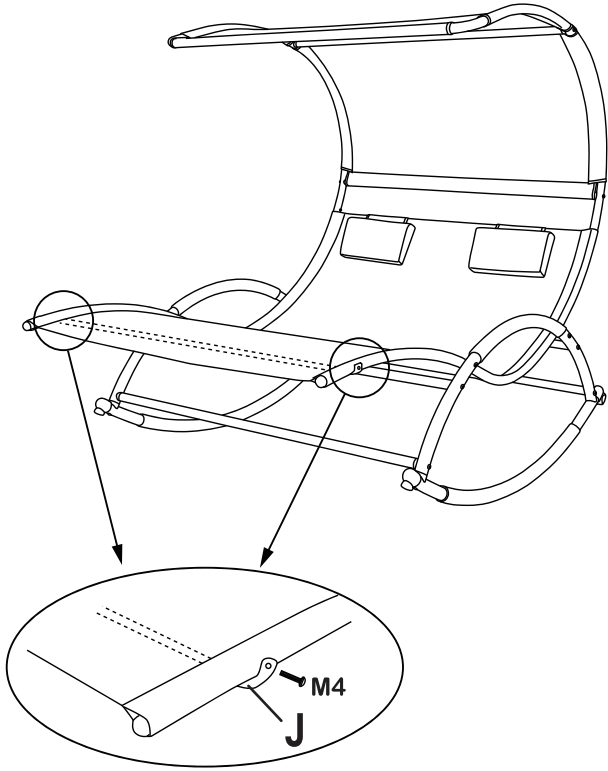
9



10

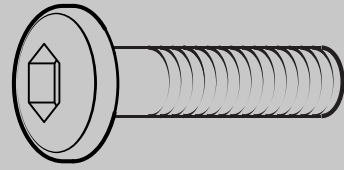


11



M4

M6X30



2PCS

J



1PC