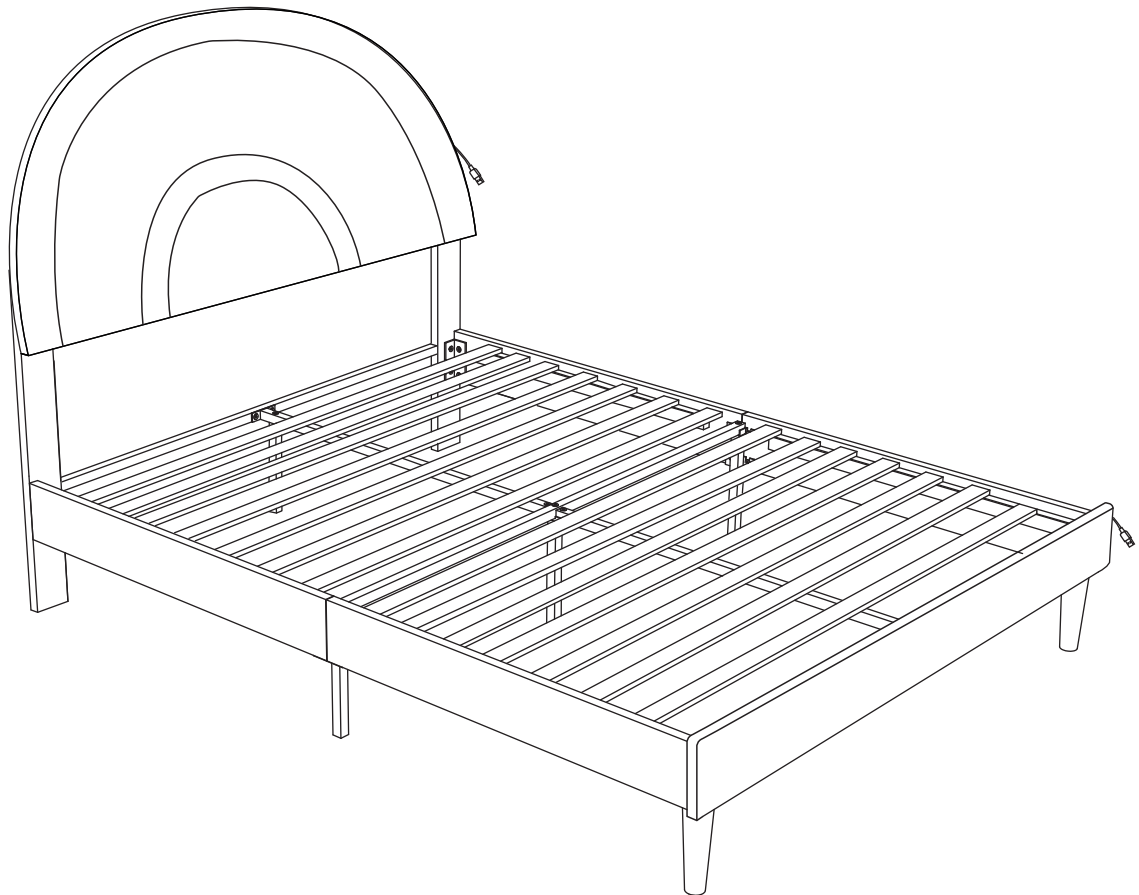


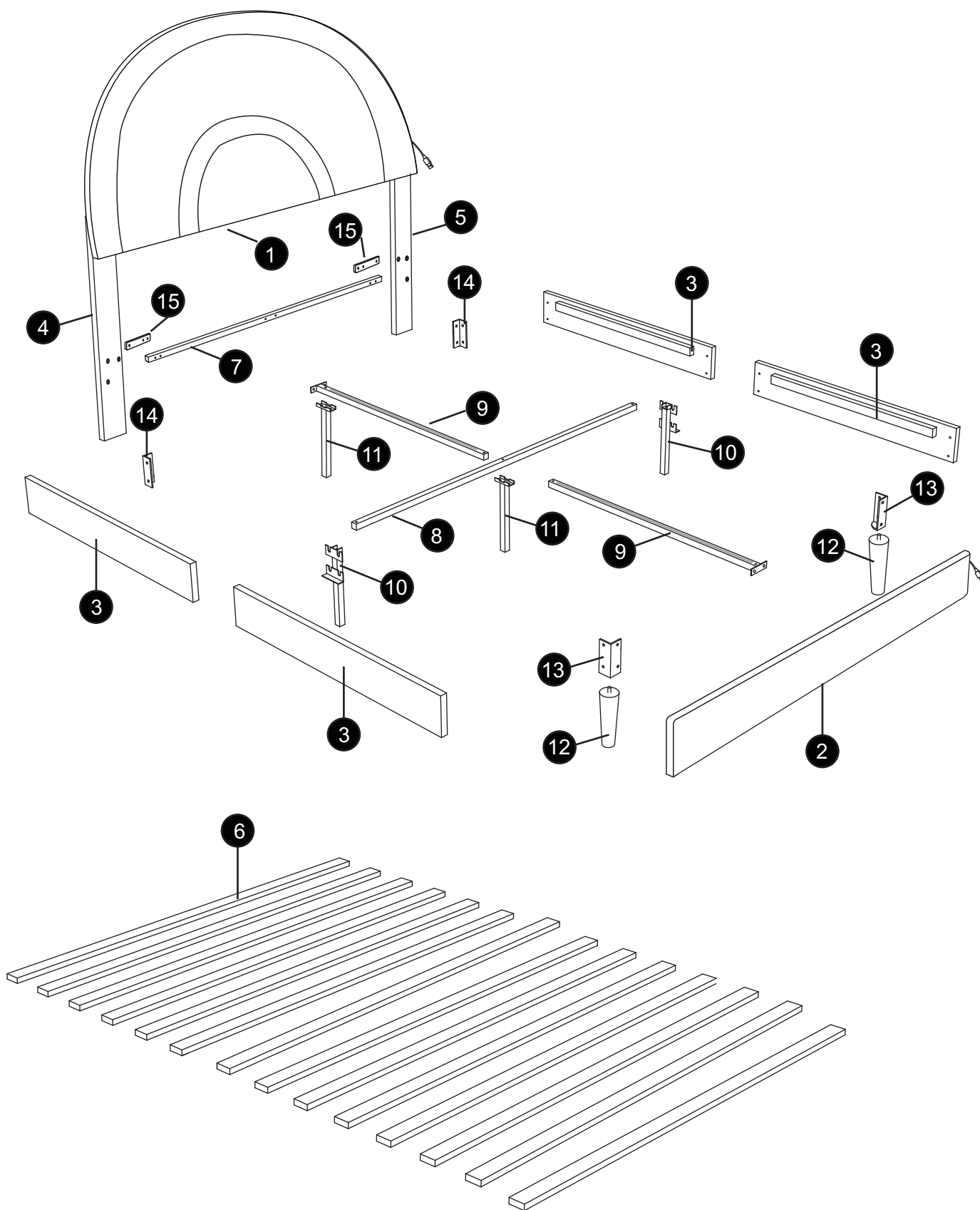
# ASSEMBLY INSTRUCTIONS

TWIN/FULL BED



WF315341AAA/WF315342AAA

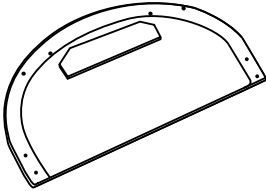
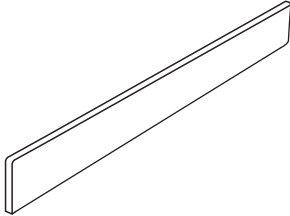
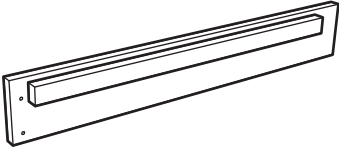
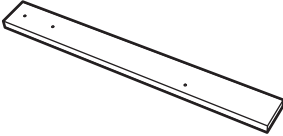
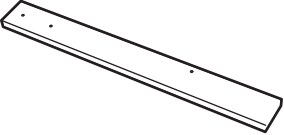
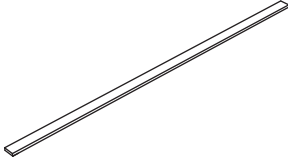
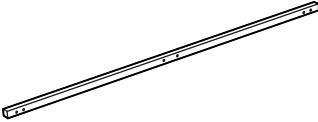


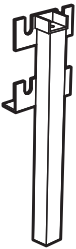


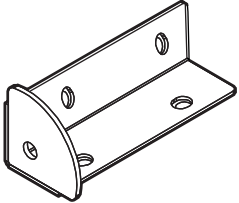
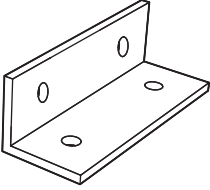
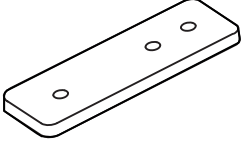
# ASSEMBLY INSTRUCTIONS



# ASSEMBLY INSTRUCTIONS

## PARTS LIST

WE315341AAA/WE315342AAA

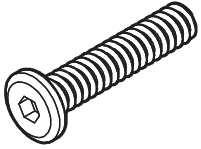
<b>1</b> x1 	<b>2</b> x1 	<b>3</b> x4 	<b>4</b> x1 
<b>5</b> x1 	<b>6</b> x14 	<b>7</b> x1 	<b>8</b> x1 
<b>9</b> x2 	<b>10</b> x2 	<b>11</b> x2 	<b>12</b> x2 
<b>13</b> x2 	<b>14</b> x2 	<b>15</b> x2 	

# ASSEMBLY INSTRUCTIONS

## PARTS LIST

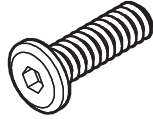
WE315341AAA/WE315342AAA

A: x10



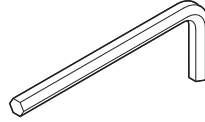
M8\*40mm

B: x34



M8\*20mm

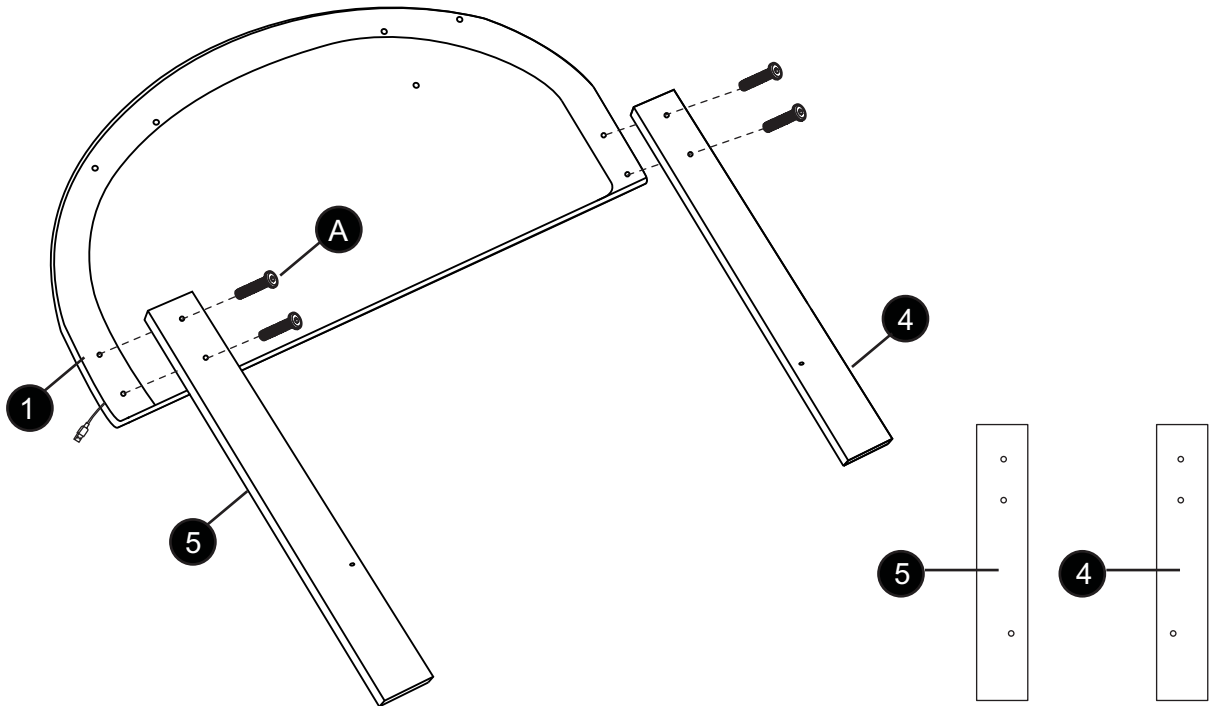
D: x1



Allen Key M8

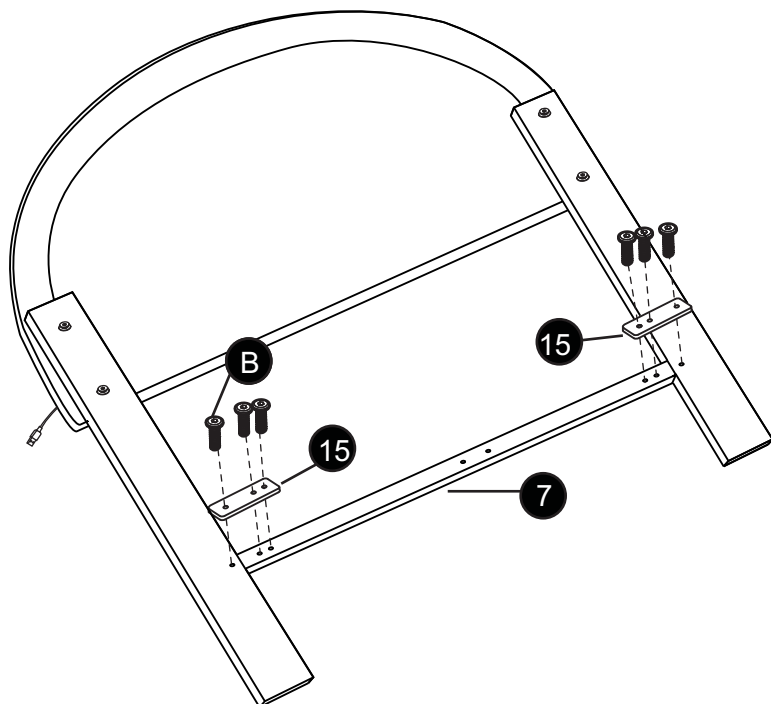
# ASSEMBLY INSTRUCTIONS

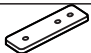
## STPE 1



A		M8*40mm	4
---	---	---------	---

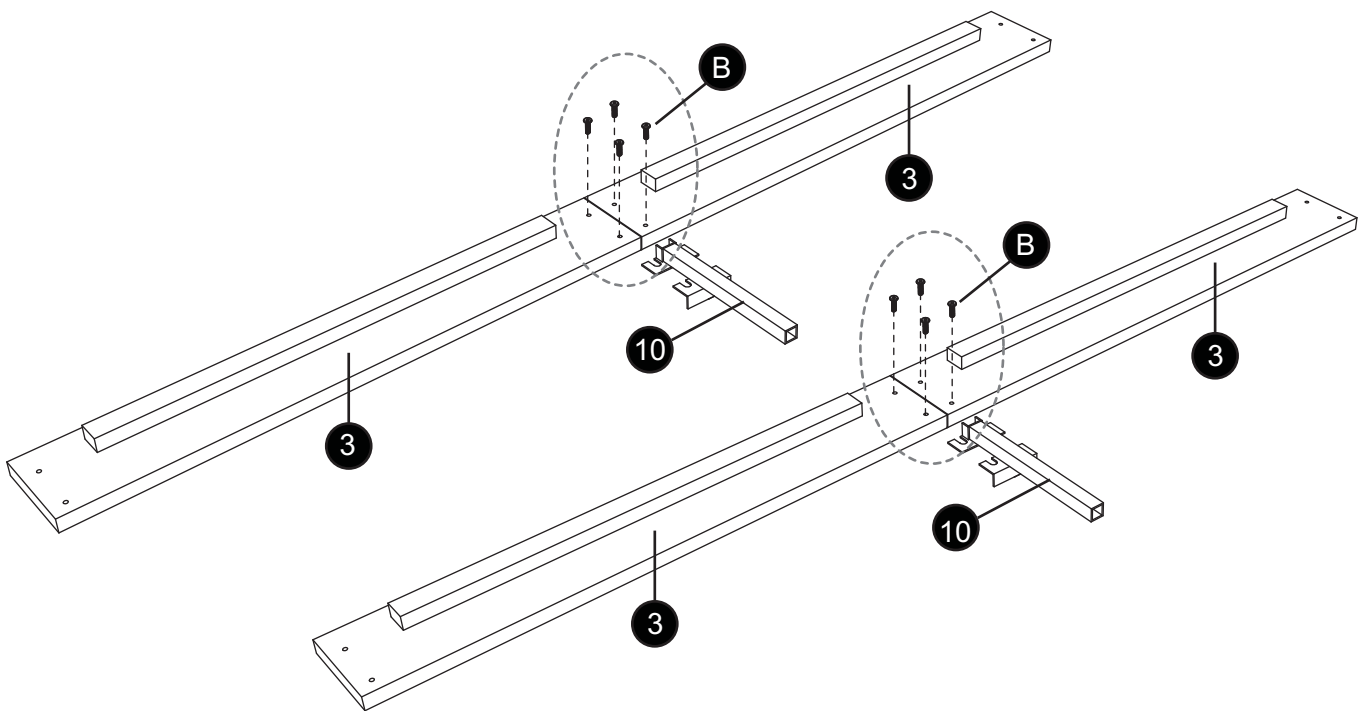
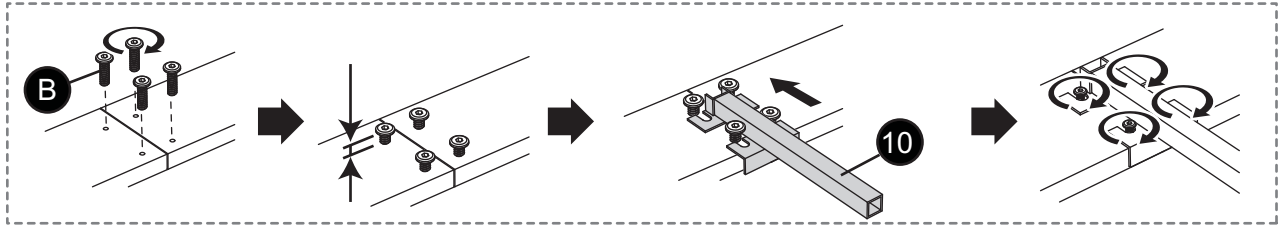
## STPE 2



15			2
B		M8*20mm	6

# ASSEMBLY INSTRUCTIONS

## STEP 3

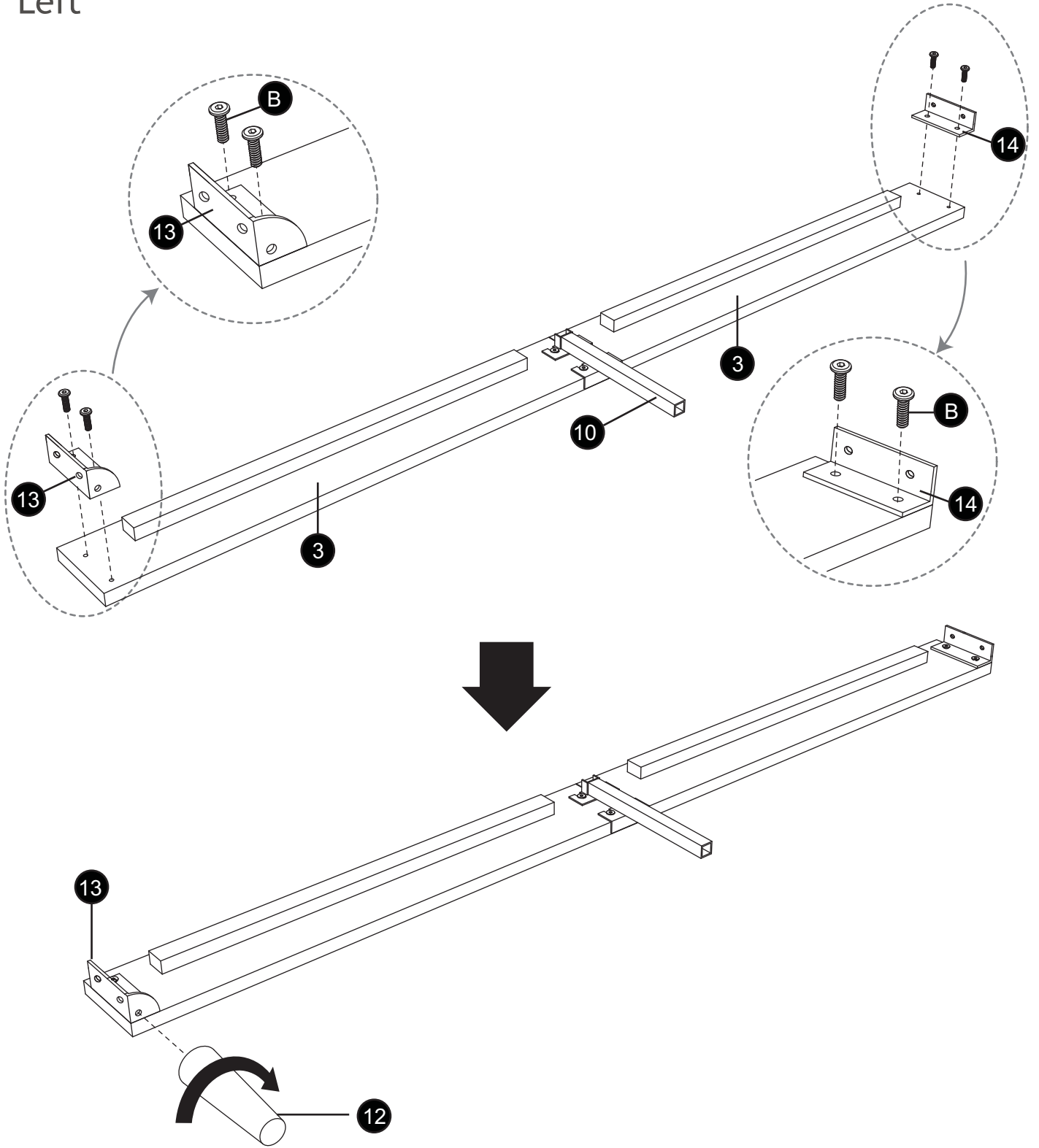






10		2
B	M8*20mm	8

# ASSEMBLY INSTRUCTIONS

## STEP 4

Left

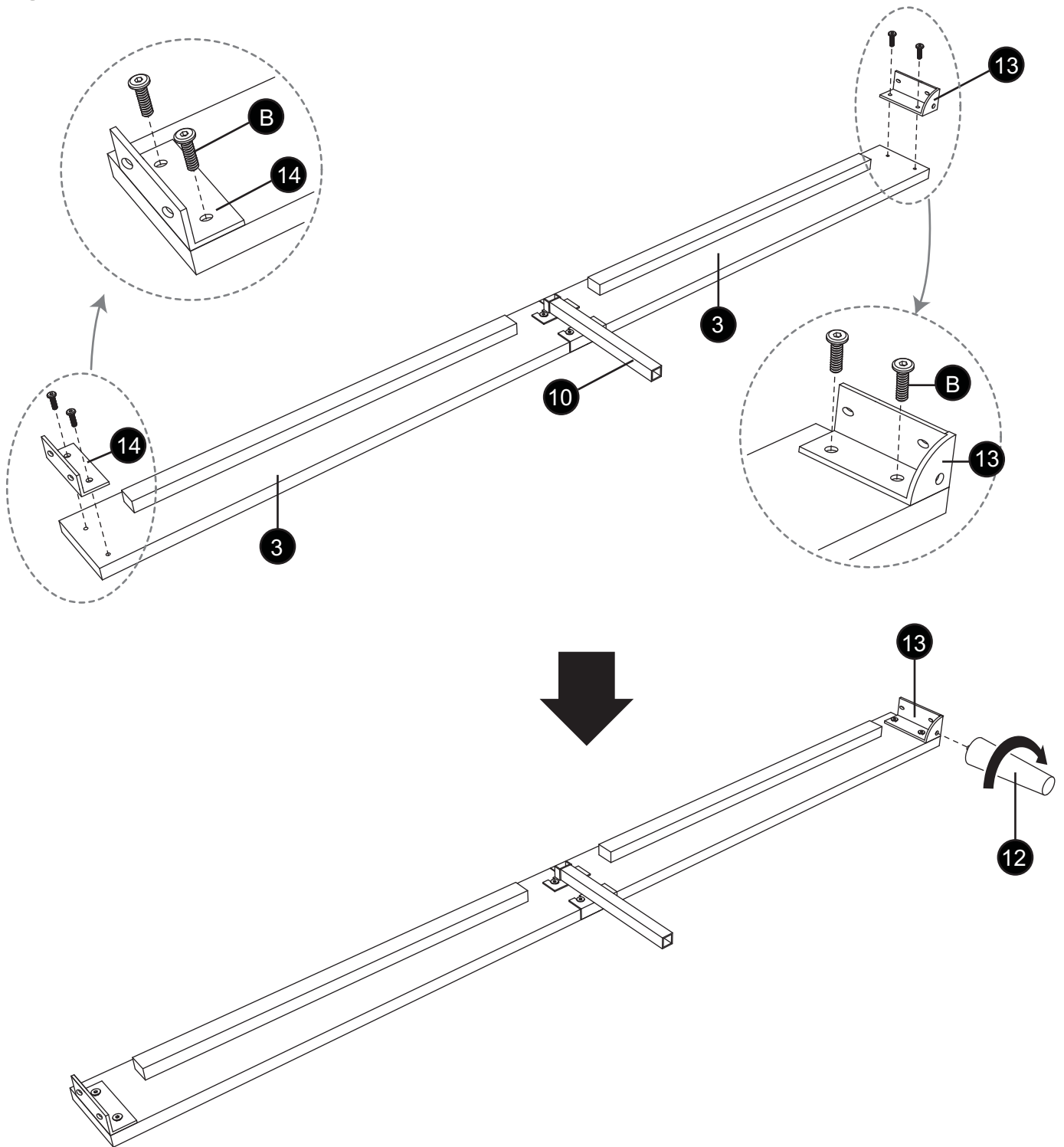


12		1
13		1
14		1
B	 M8*20mm	4

# ASSEMBLY INSTRUCTIONS

## STPE 5

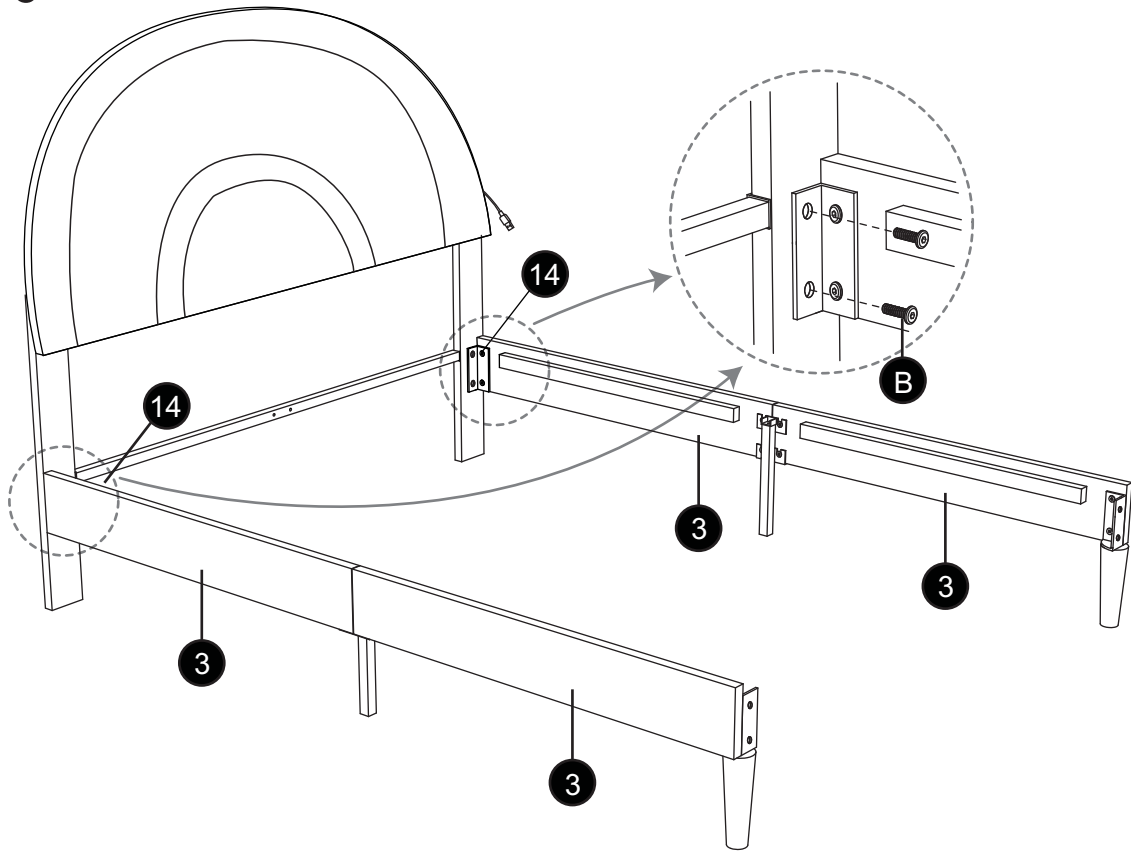
Right



12		1
13		1
14		1
B	M8*20mm	4

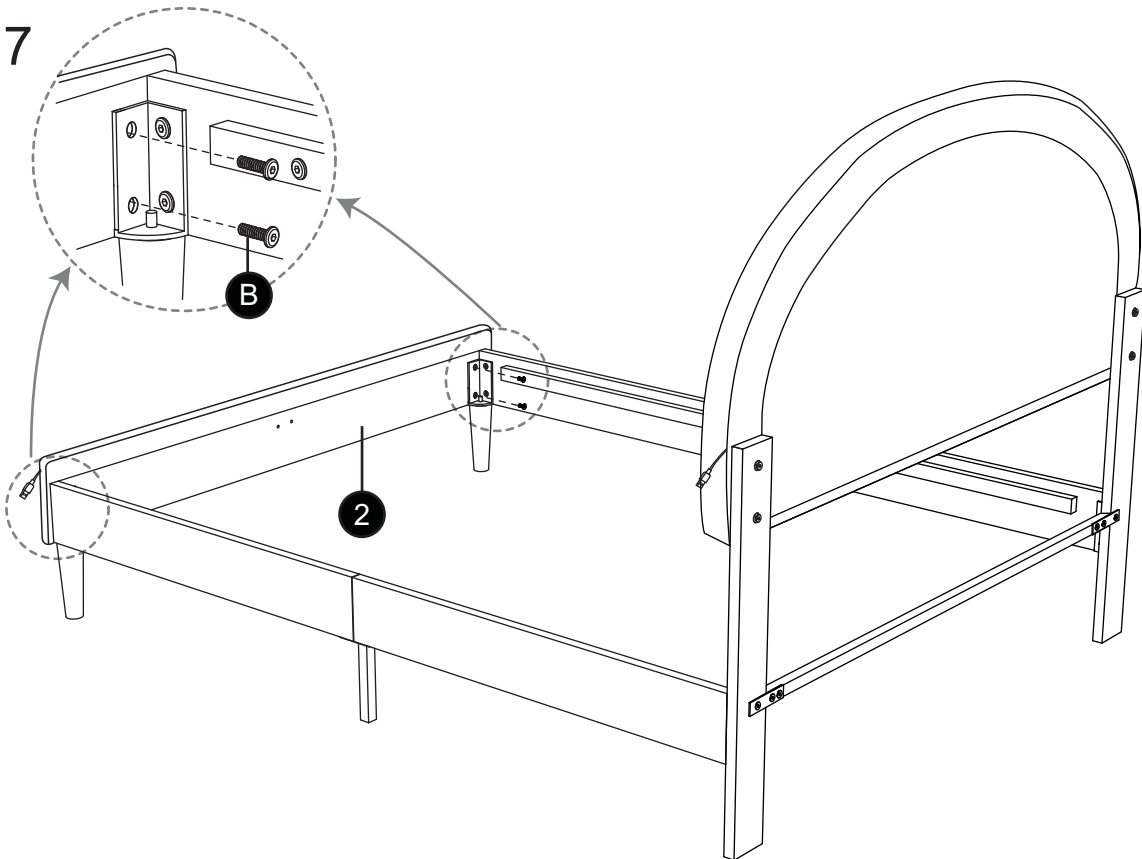
# ASSEMBLY INSTRUCTIONS

## STEP 6



B  M8\*20mm 4

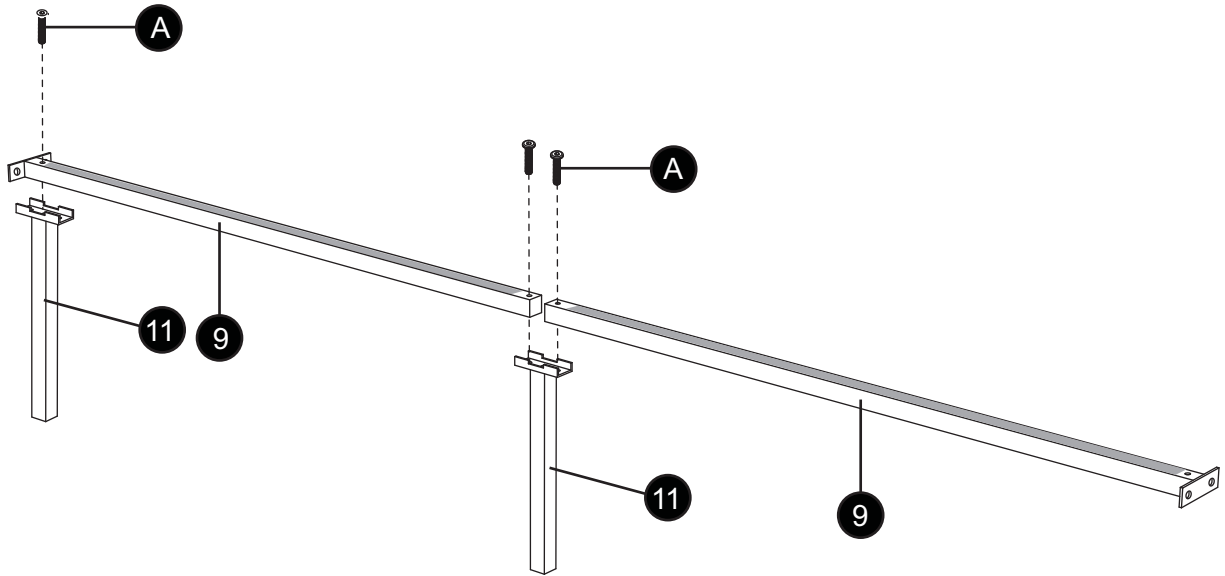
## STEP 7





B  M8\*20mm 4

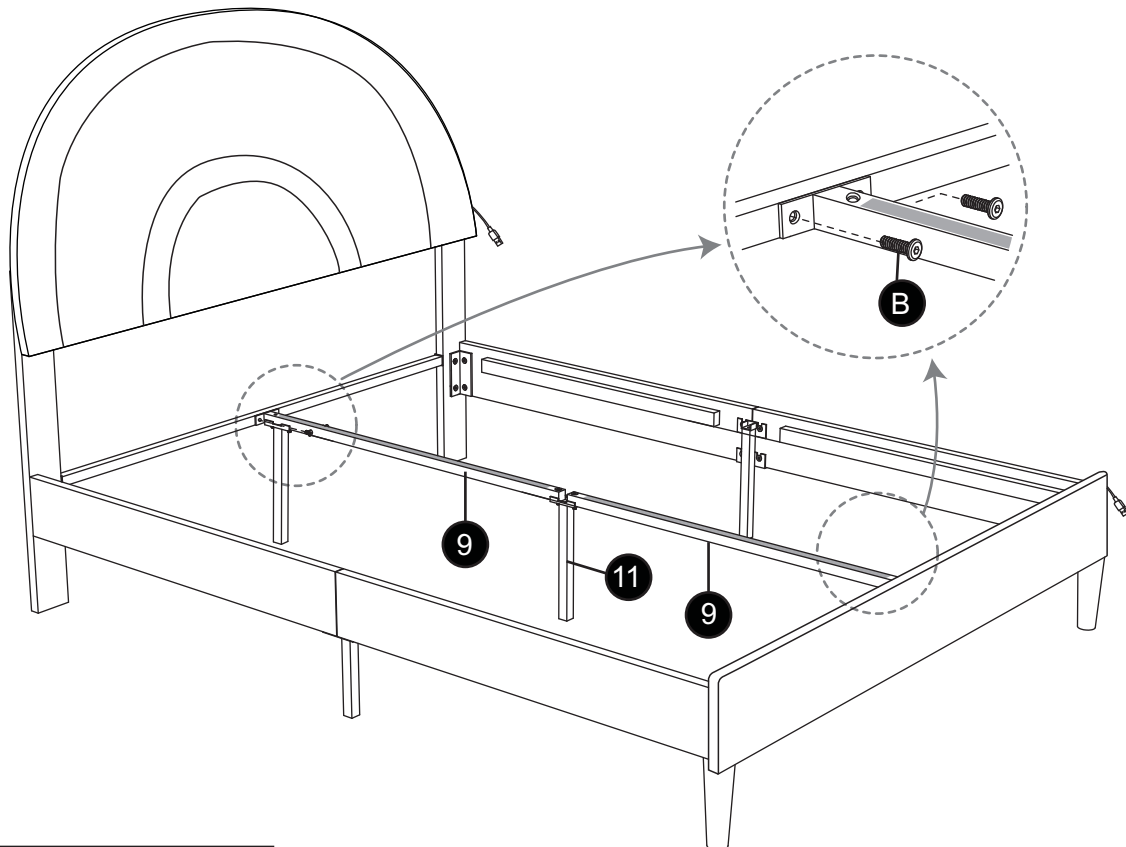
# ASSEMBLY INSTRUCTIONS

## STPE 8



11		2
A	 M8*40mm	3

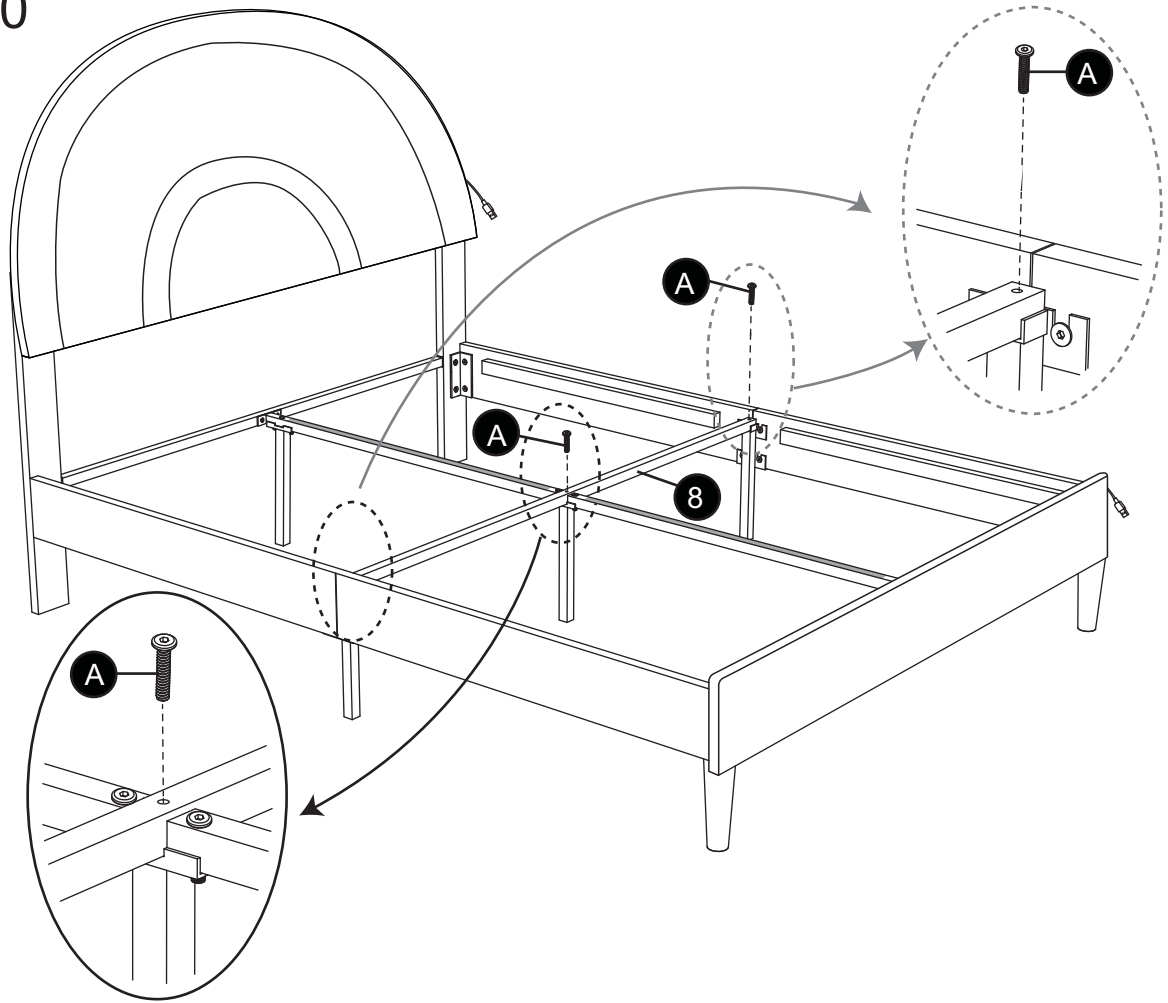
## STPE 9



B	 M8*20mm	4
---	---	---

# ASSEMBLY INSTRUCTIONS

## STPE 10



A  M8\*40mm 3

## STPE 11

