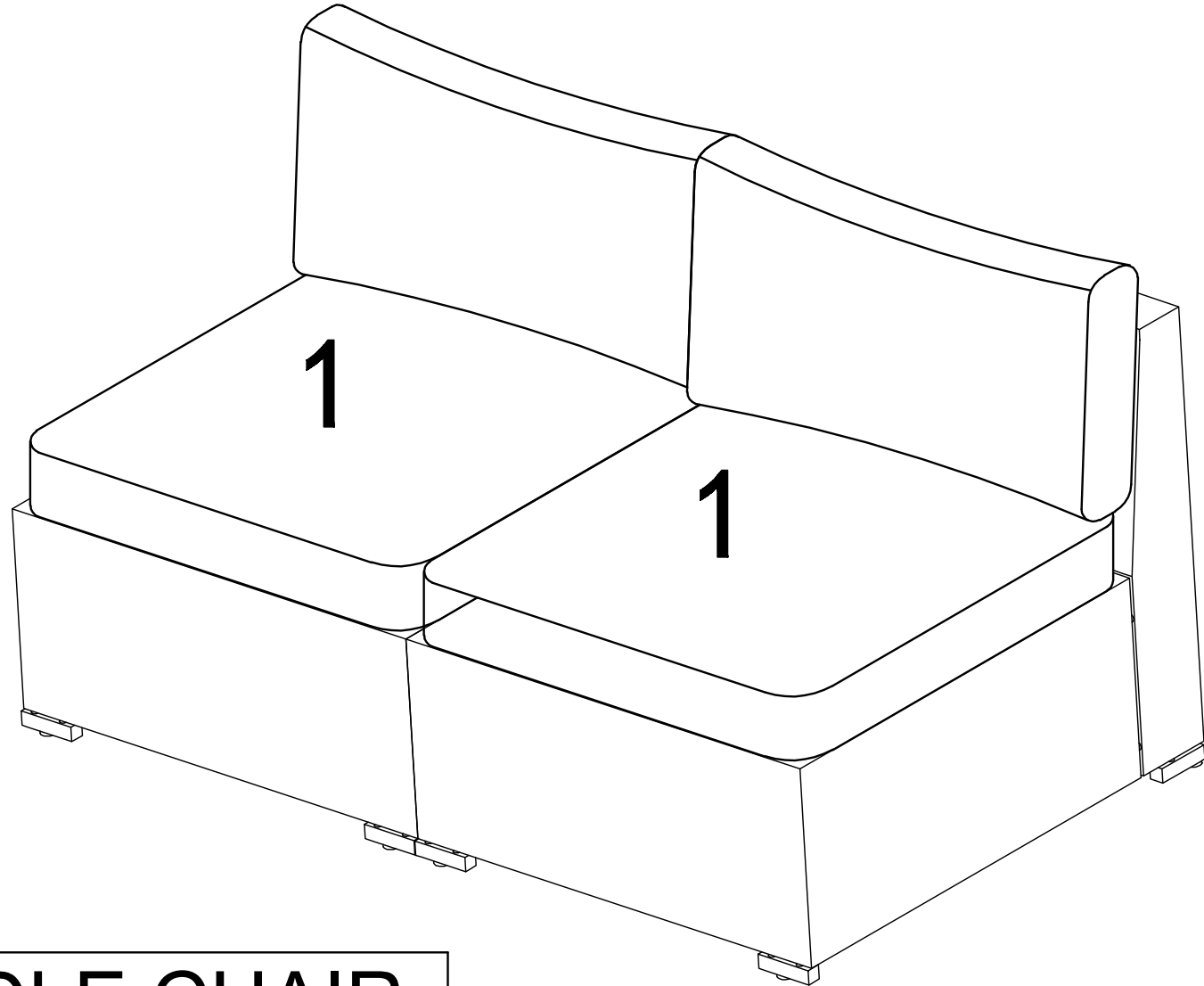


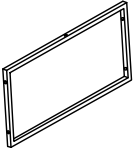
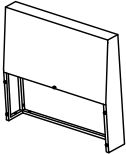
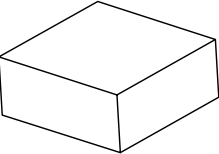
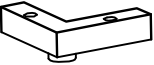
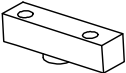
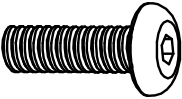


Assembly Instructions

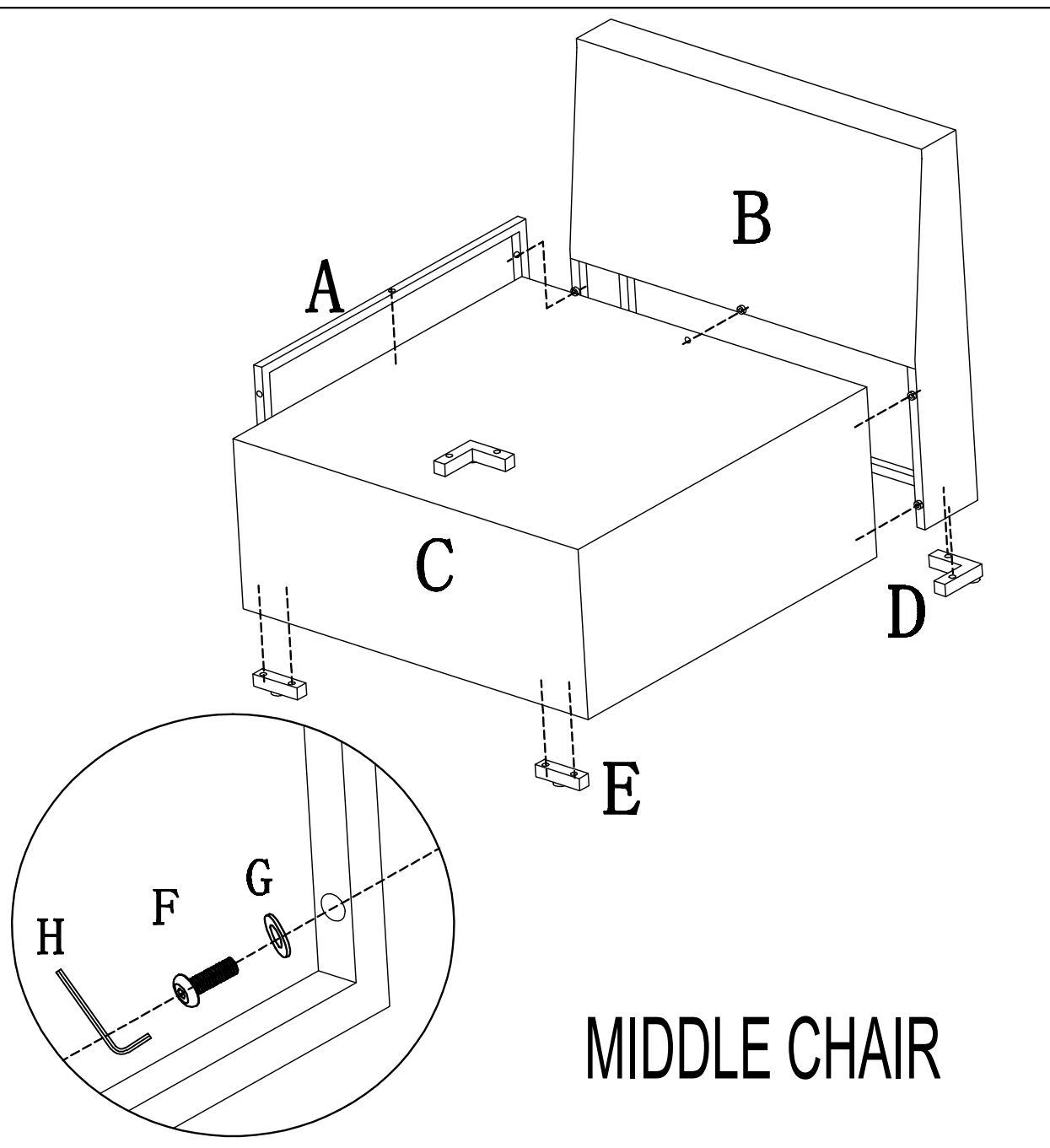


1 MIDDLE CHAIR

NOTE: DO NOT TIGHTEN BOLTS UNTIL ALL PARTS ARE CONNECTED

YOU MAY FIND CUSHIONS PLACED UNDERNEATH THE TABLE AND STORAGE BOX OR BETWEEN FRAMES!

A	 Connect part	1PCS
B	 Back part	1PCS
C	 Seat part	1PCS
D	 Adjust foot	2PCS
E	 Adjust foot	2PCS
F	 M6*30mm Screw	16PCS
G	 M6 Washer	16PCS
H	 Allen wrench	1PCS



NOTE: DO NOT TIGHTEN BOLTS UNTIL ALL PARTS ARE CONNECTED

YOU MAY FIND CUSHIONS PLACED UNDERNEATH THE TABLE AND STORAGE BOX OR BETWEEN FRAMES!