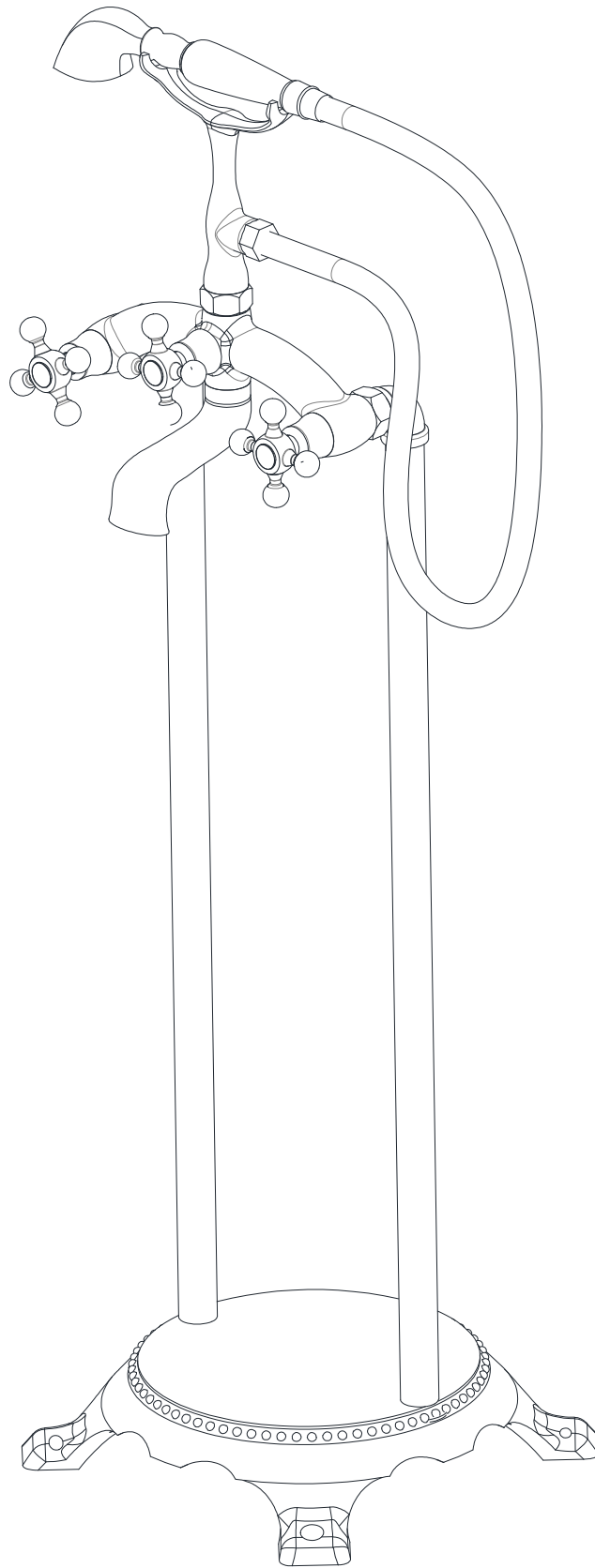


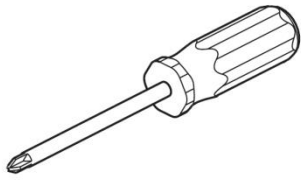
INSTALLATION GUIDE



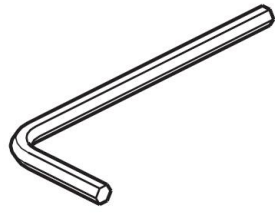
FLOOR MOUNT TUB FILLER FAUCET

CUSTOMER CARE LINE: +1-866-203-0866

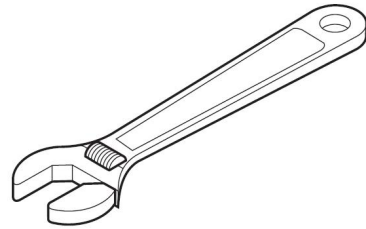
TOOLS RECOMMENDED



Philips Screwdriver



Allen Wrench



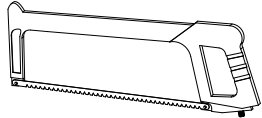
Adjustable Wrench



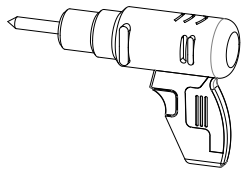
Channel Locks



Teflon Tape



Saw



Electric Drill

1. BEFORE PROCEEDING



WARNING: Before beginning any installation or operation, read all instructions carefully. If you are unsure about installing this product, consult a licensed professional. This product must be installed in compliance with all applicable local and state plumbing and building codes. Professional assistance is strongly recommended.

2. SHUT OFF WATER SUPPLY

Locate the water supply inlets and turn off the corresponding water supply valves, typically located under the sink or near the water meter. If replacing an existing unit, remove the old unit and thoroughly clean the mounting surface to ensure proper installation.

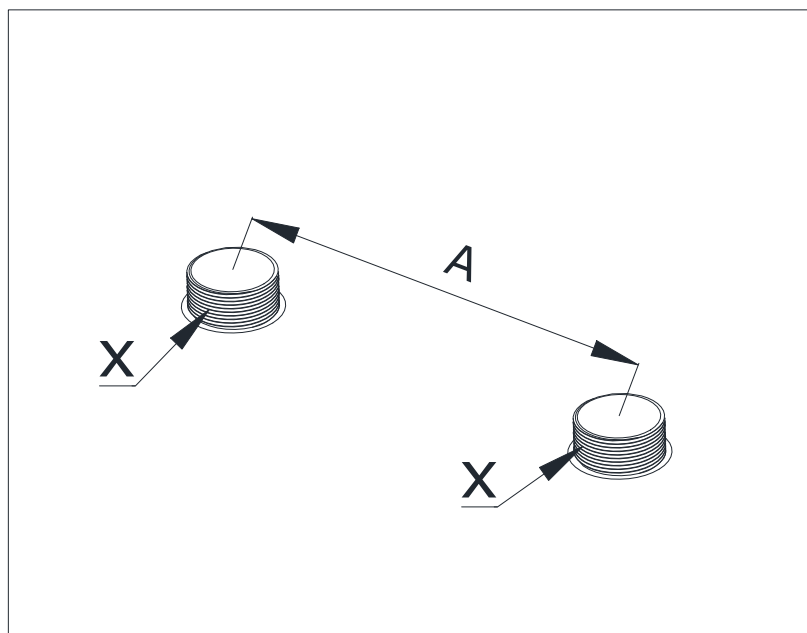
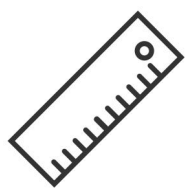
3. CHECKING THE CONTENTS OF THE BOX

Upon opening the box, verify that all the listed components are included.

4. INSTALLATION HOLES INSPECTION

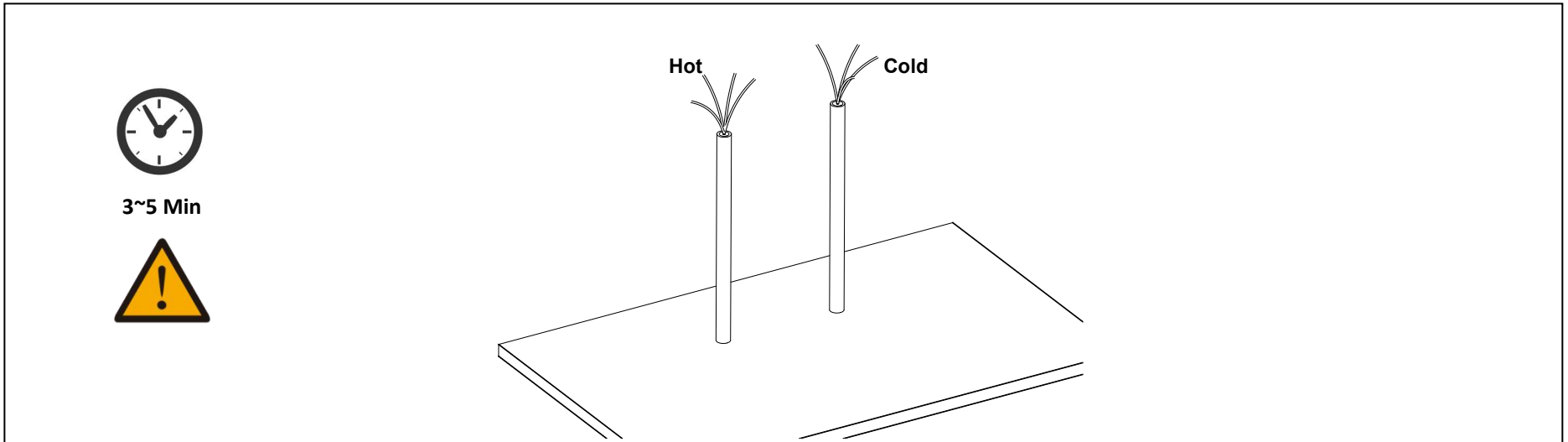
4.1 Install the water inlet pipe beneath the floor and ensure the rough-in distance, labeled "A", is accurately measured between the hot and cold water lines.

Region	Code	Specifications	Code	Dimensions - Inch	Dimensions - mm
US	X	G1/2"			
Europe	X	G1/2"			
UK & Other	X	G1/2"	A	Max 8"	Max 204



5. INSTALLATION

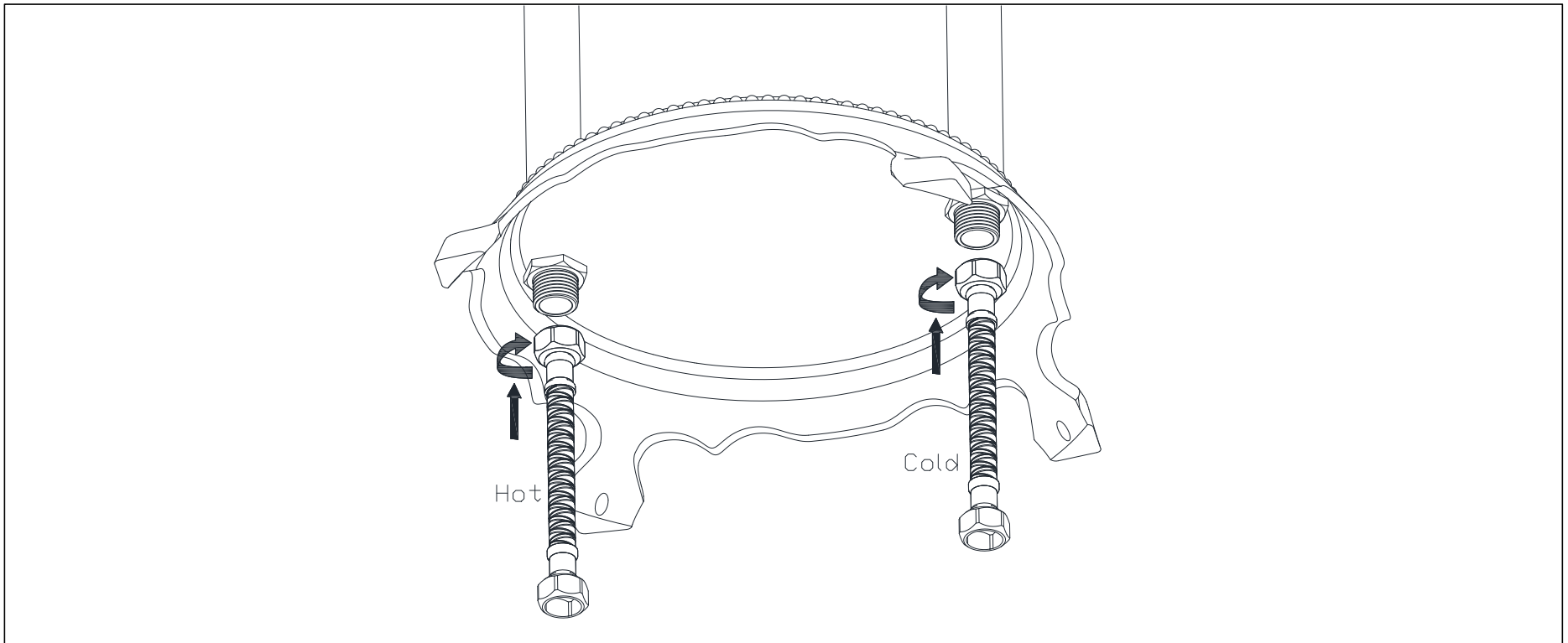
5.1 Open the shut-off valves to flush the hot and cold water supply lines before connecting the faucet. Let the water run for 3-5 minutes to remove any dirt or debris. Once flushing is complete, close the shut-off valves.



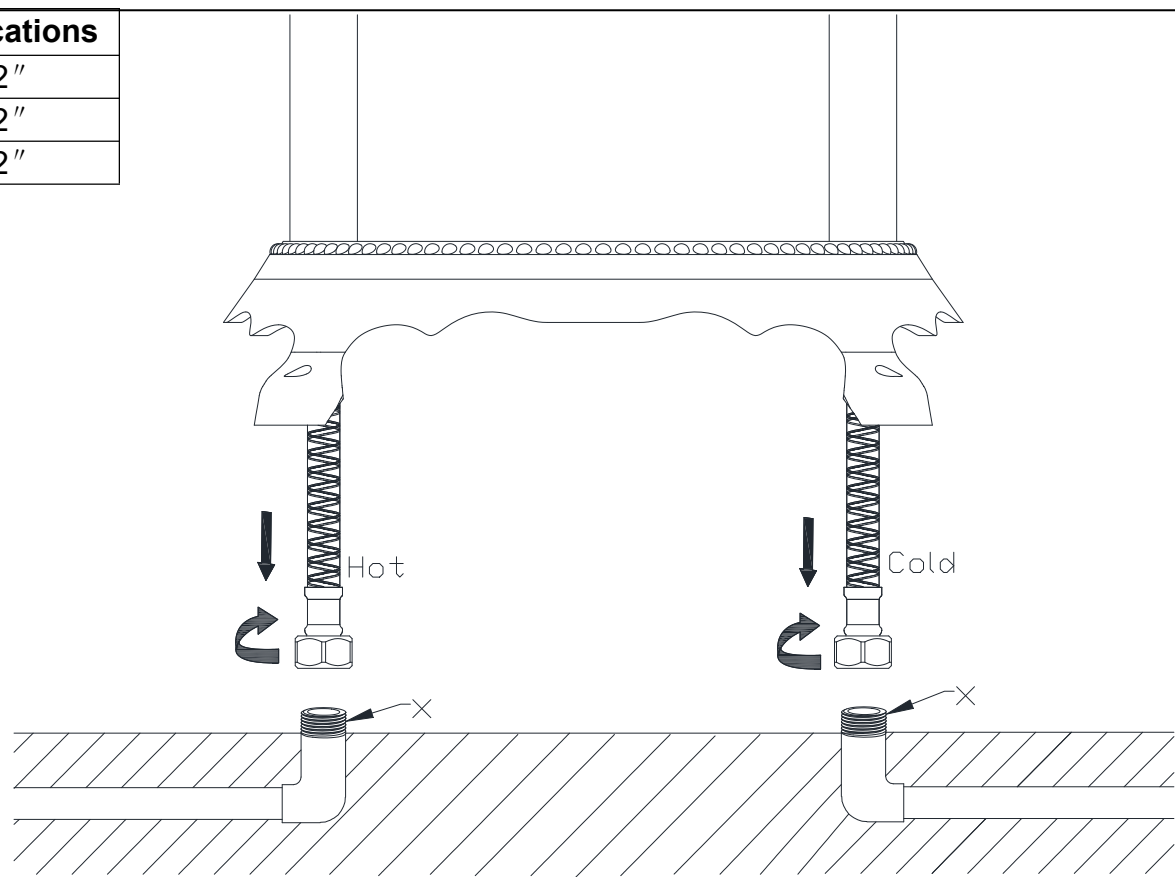
5.2 Insert the two riser tubes into the corresponding holes in the floor flange.



5.3 Connect one end of each inlet hose to the threads on the riser tubes, and the other end to the floor water inlet. Adjust the riser tubes and adapter joints to align them toward the bathtub.

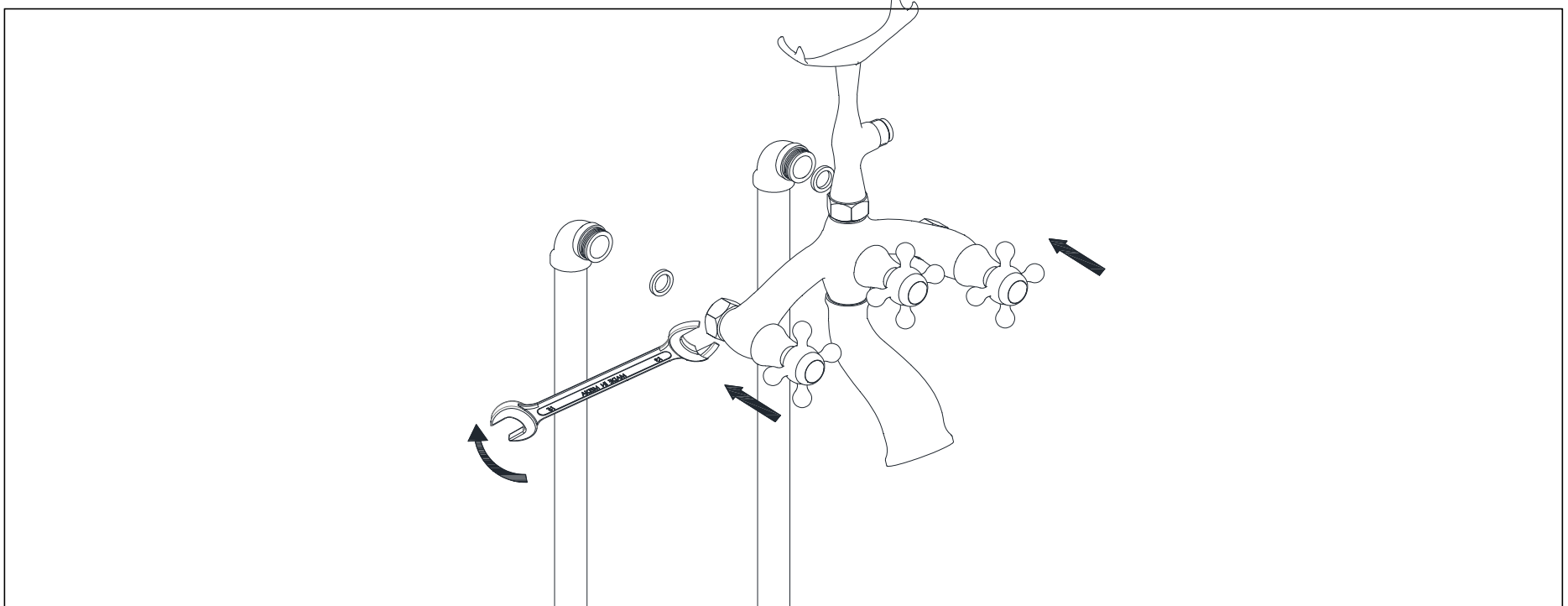


Region	Code	Specifications
US	X	G1/2"
Europe	X	G1/2"
UK & Other	X	G1/2"

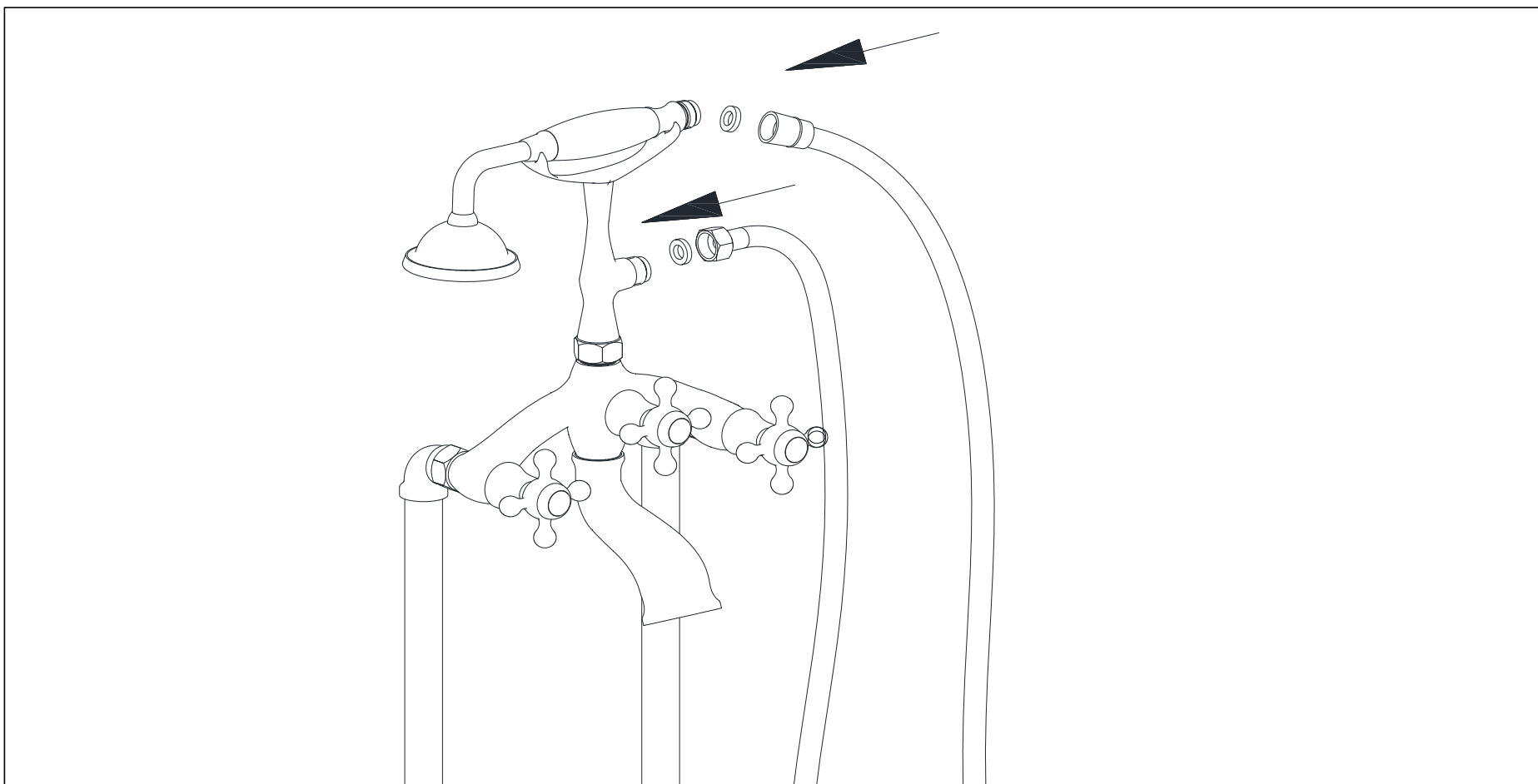


5.4 Place the rubber washer at the connection point of the faucet body. Secure the faucet body onto the riser tube by hand-tightening the joint, then adjust and tighten further using a wrench.

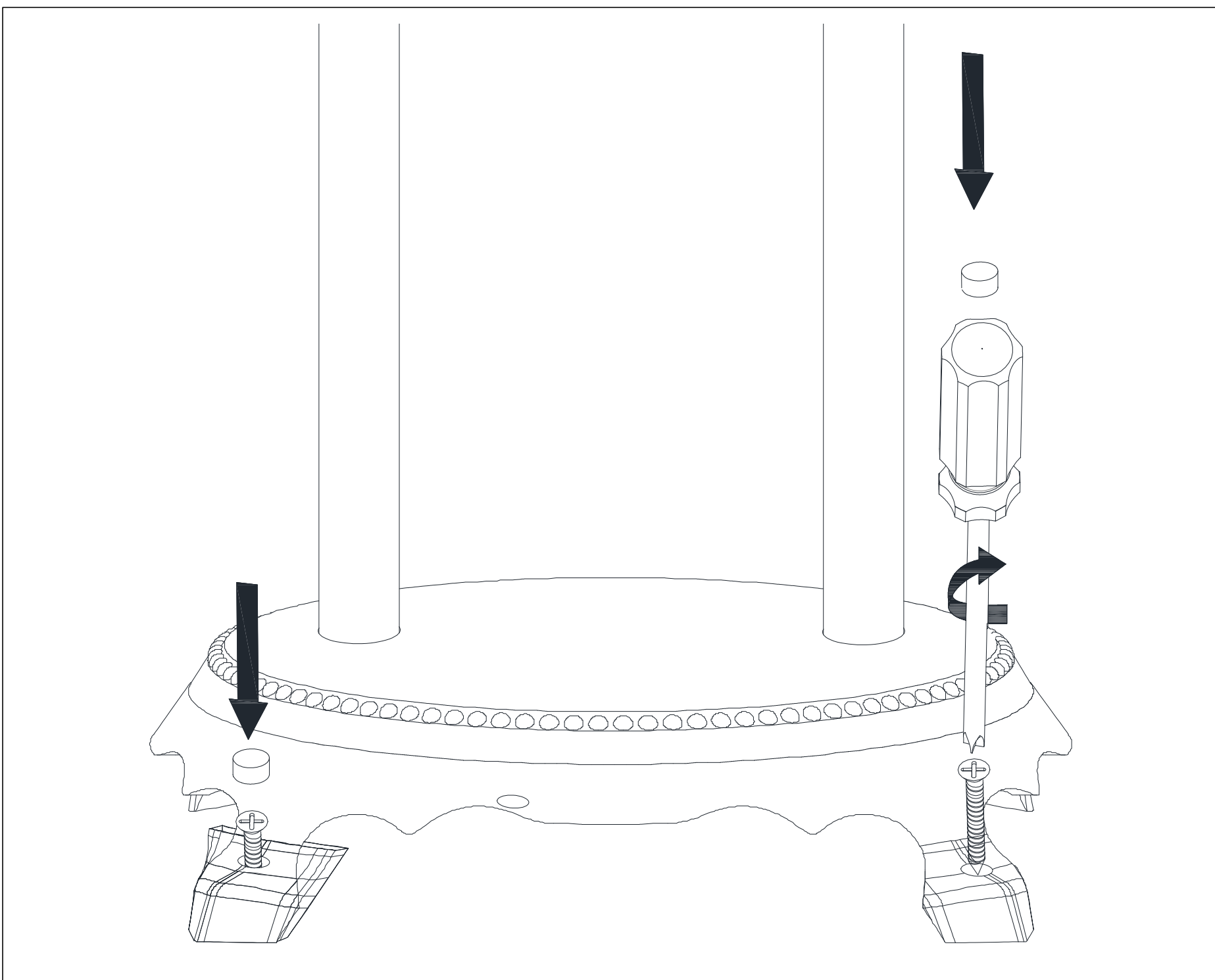
⚠ When installing the faucet body, lift and align it with the riser tube joint. Tighten the nut to secure it without rotating the entire faucet body.



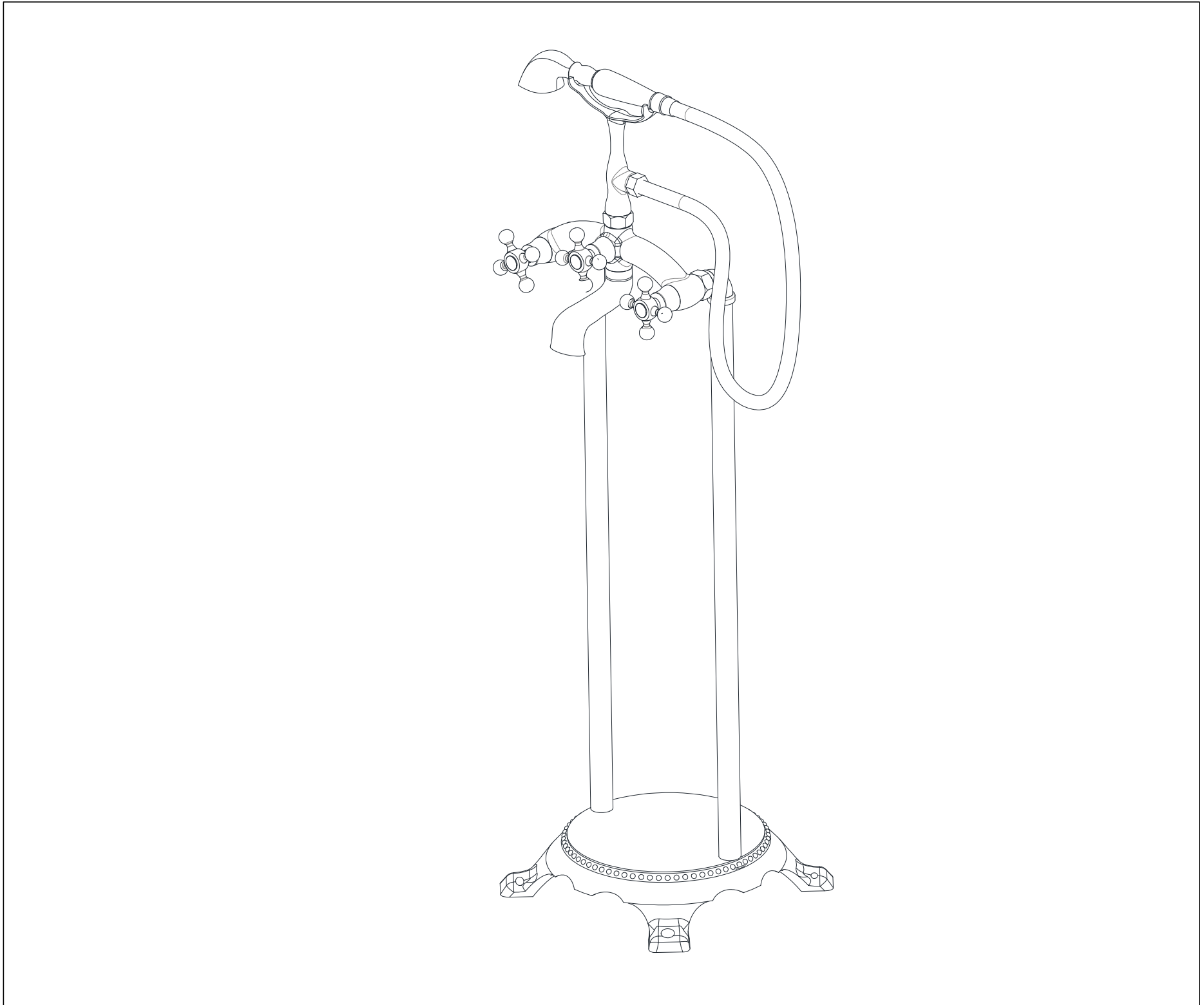
5.5 Install rubber washers at both ends of the handheld shower hose. Connect one end of the hose to the bracket and the other end to the handheld shower.



5.6 Adjust the faucet to face the bathtub, secure the base using wood screws, and seal the screw holes with adhesive pellets.



Installation complete.



6. INSPECTION

6.1 Turn on the hot and cold water supplies, and check all connections to ensure there are no leaks.

INSTALLATION COMPLETE



North America	Asia	Europe
SUMERAIN INTERNATIONAL GROUP INC	HONGKONG SUMERAIN SANITARY INDUSTRY CO., LIMITED	SUMERAIN EUROPE SUPPORT TEAM
Add: 1226 NORTH KING ST NUM 522 WILMINGTON, DE 19801 United States	Add: FLAT/RM 3B 3/F BANK TOWER NOS.351&353 KING'S ROAD NORTH POINT,HONGKONG	Add: Flottwellstr.15 10785 Berlin, Deutschland
Tel: +1(866)203-0866	Tel: +86-750-2731579	Tel: +49 (0)30/23975898
E-mail: supports@sumerain.us	E-mail: supports@sumerain.com	E-mail: de@sumerain.com