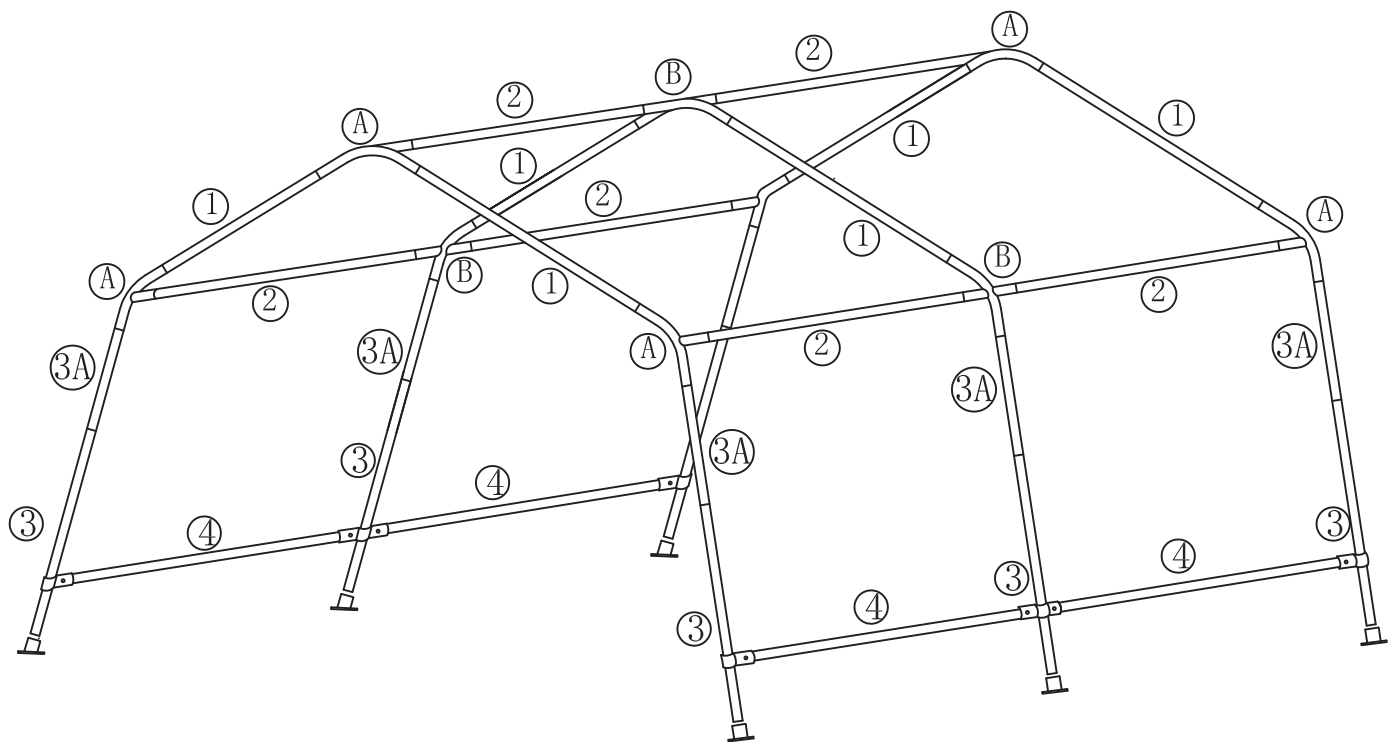


ASSEMBLY INSTRUCTIONS

OUTDOOR STORAGE SHED BIKE CARPORT

SKU: T-PS23-0167-L4





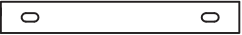











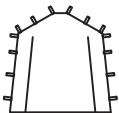
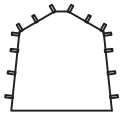
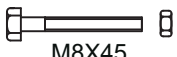
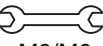
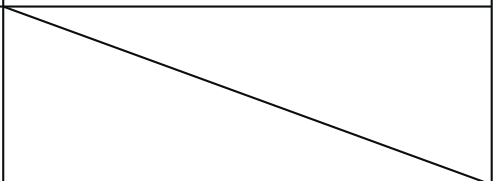


E-mail:
hofficeservice@gmail.com







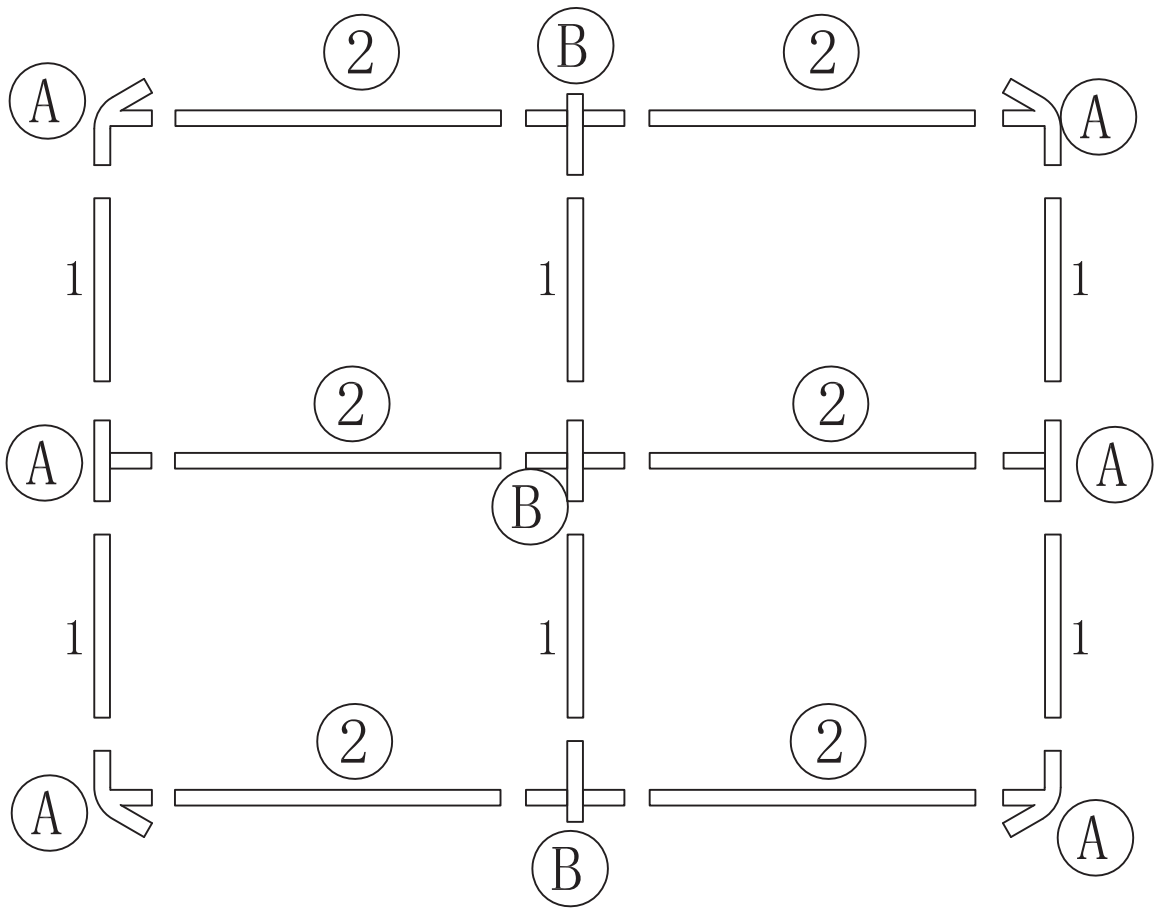
Please read the instructions
carefully before installing the
product.

PARTS

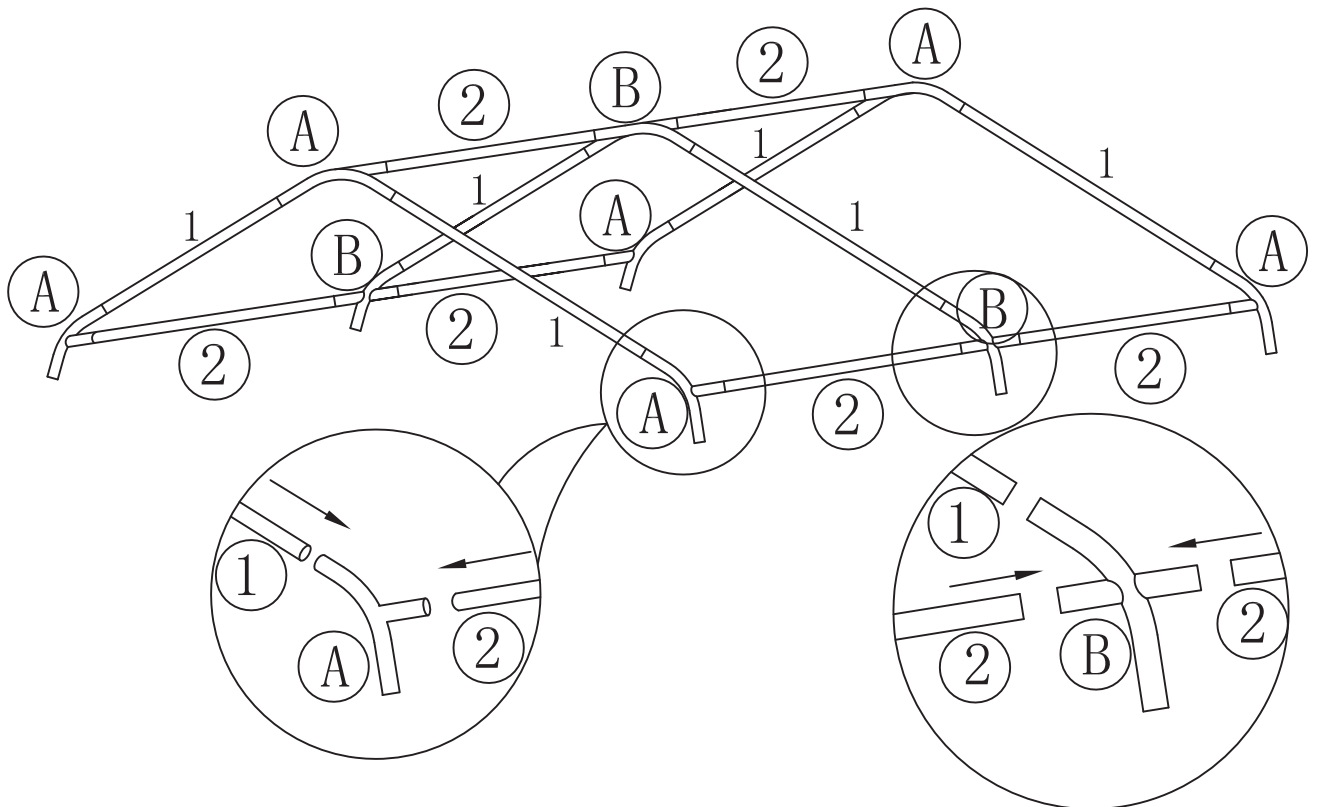
 <p>1 X6</p>	 <p>2 X6</p>	 <p>3 X6</p>
 <p>3A X6</p>	 <p>4 X4</p>	 <p>A X6</p>
 <p>B X3</p>	 <p>C X6</p>	 <p>D X8</p>
 <p>D1 X4</p>	 <p>ϕ 5*250mm</p> <p>E X4</p>	 <p>F X32</p>
 <p>M6X40</p> <p>H X8</p>	 <p>ϕ4</p> <p>I X12</p>	 <p>ϕ5</p> <p>J X4</p>
 <p>K X1</p>	 <p>K1 X1</p>	 <p>K2 X1</p>
 <p>M8X45</p> <p>M X6</p>	 <p>M8/M6</p> <p>X2</p>	

STEP 1


1 X6

2 X6

A X6

B X3

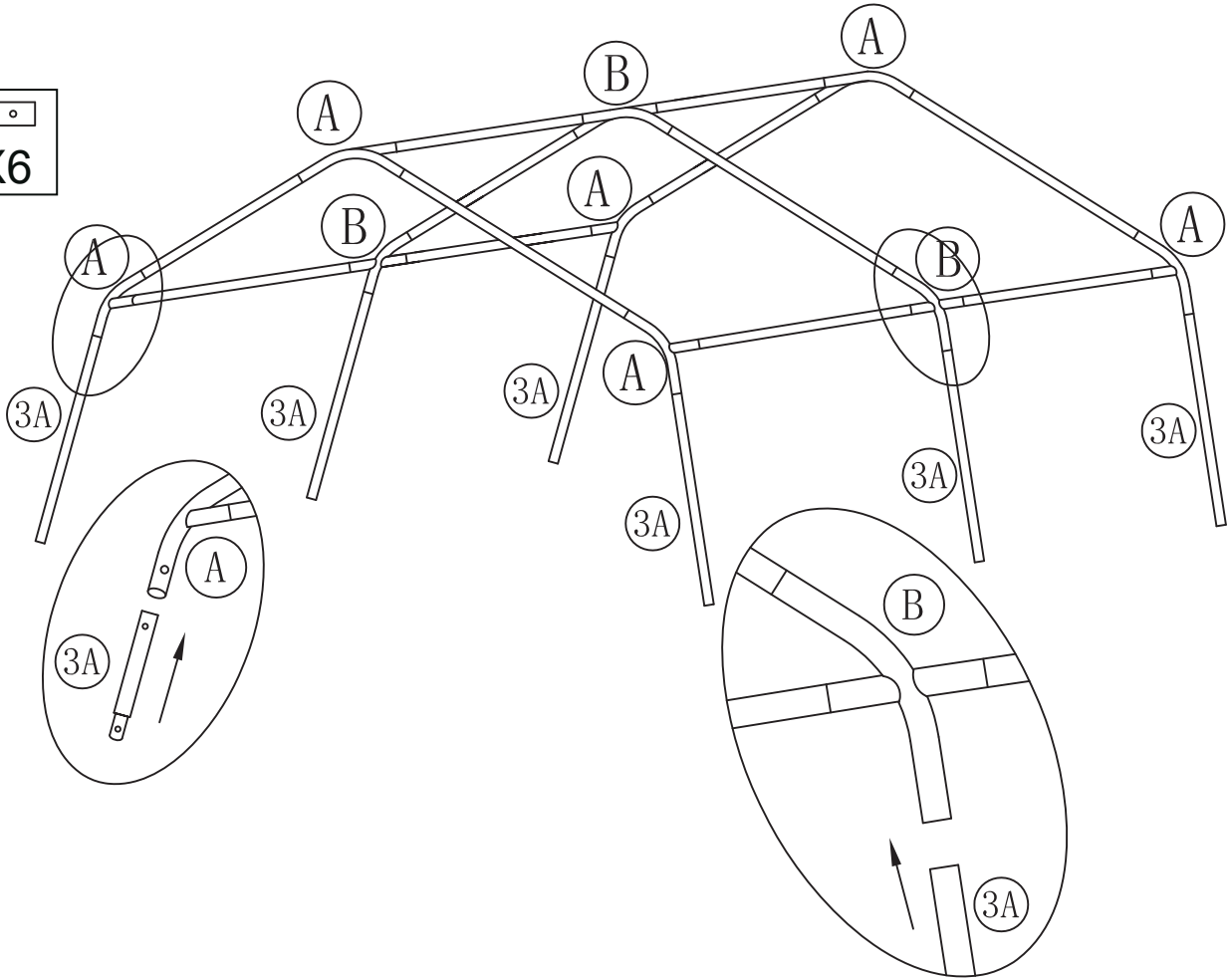


STEP 2



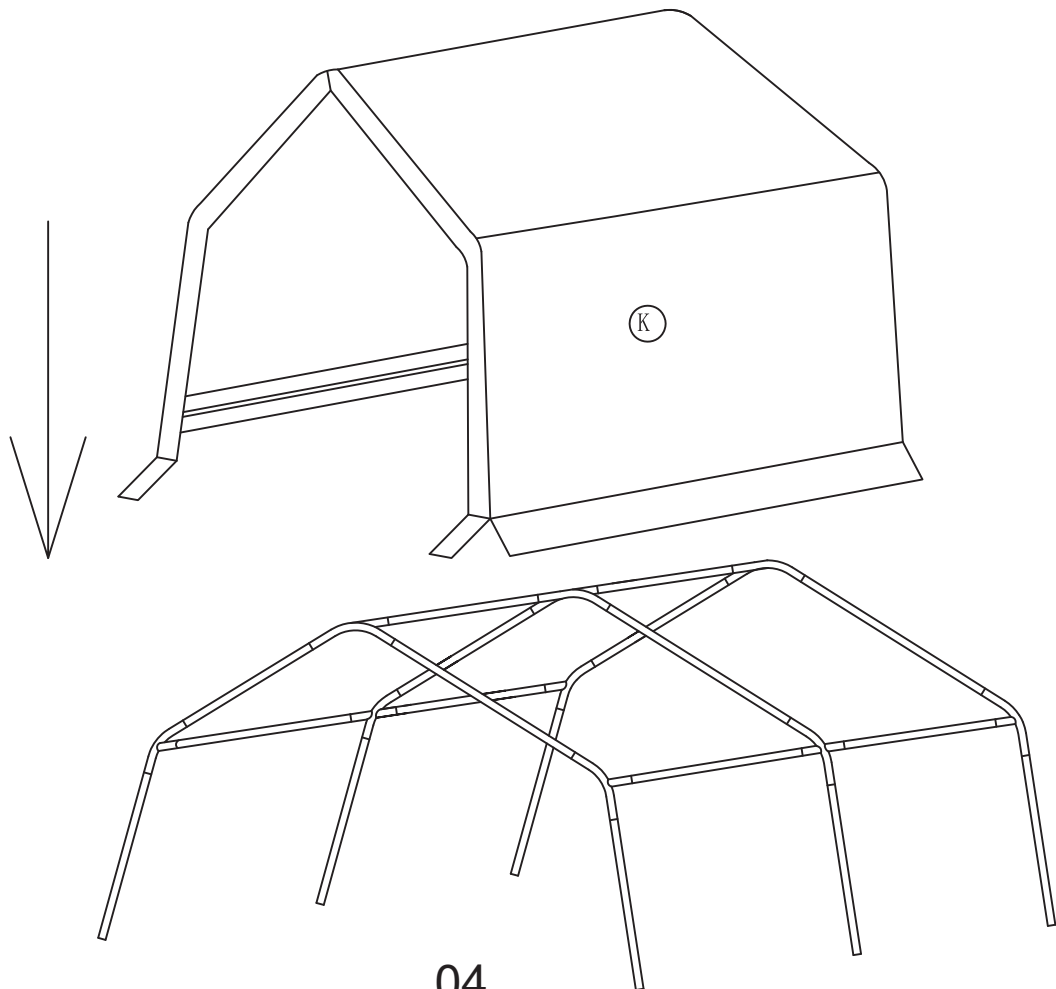
STEP 3

3A X6

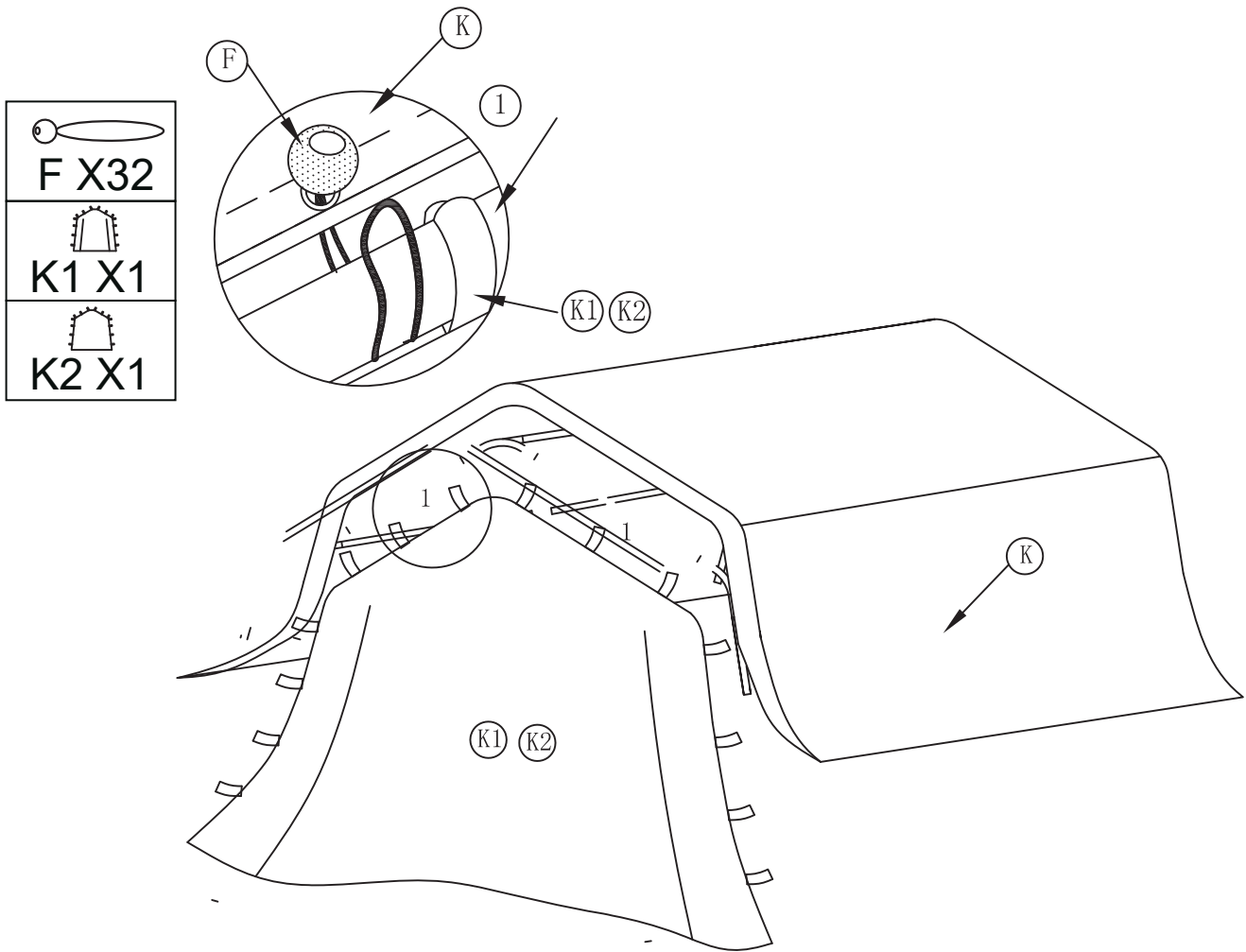


STEP 4

K X1

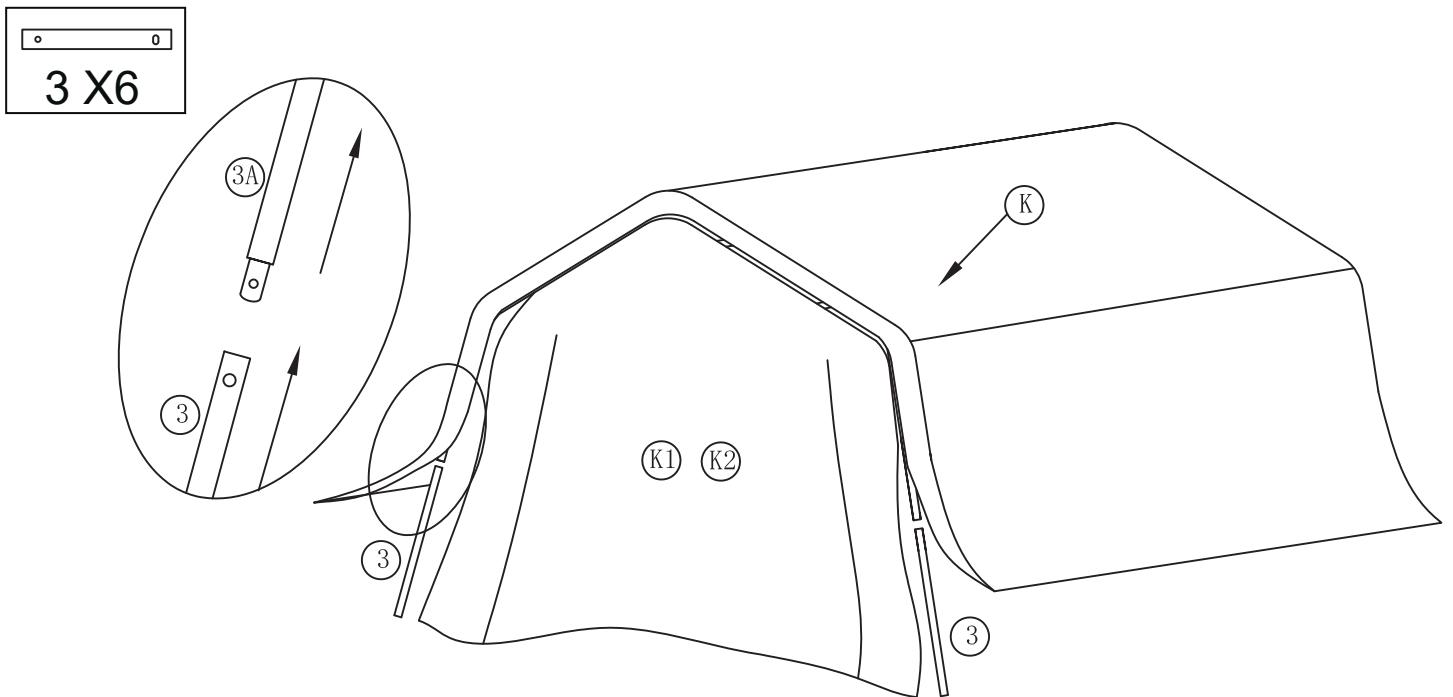


STEP 5

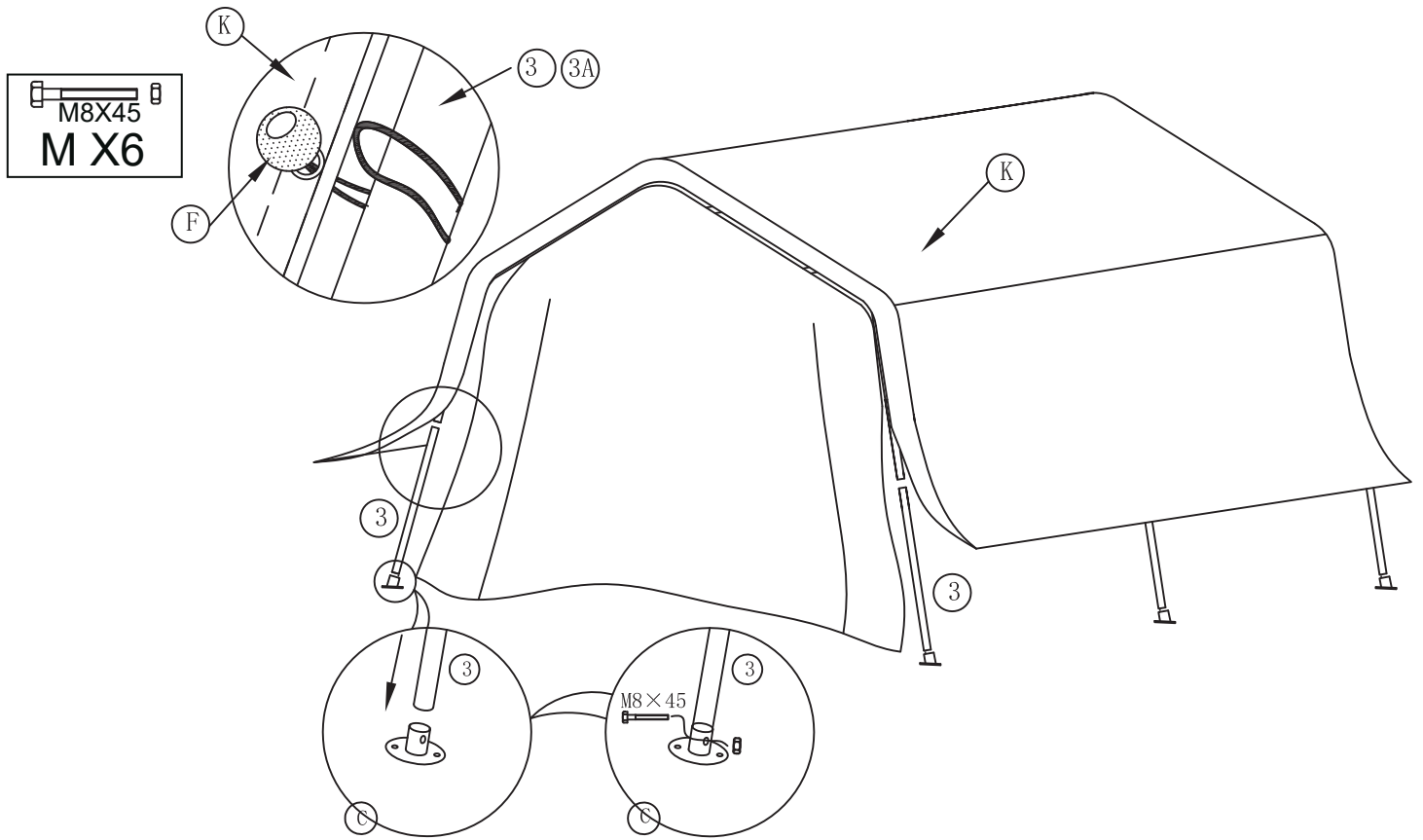


STEP 6

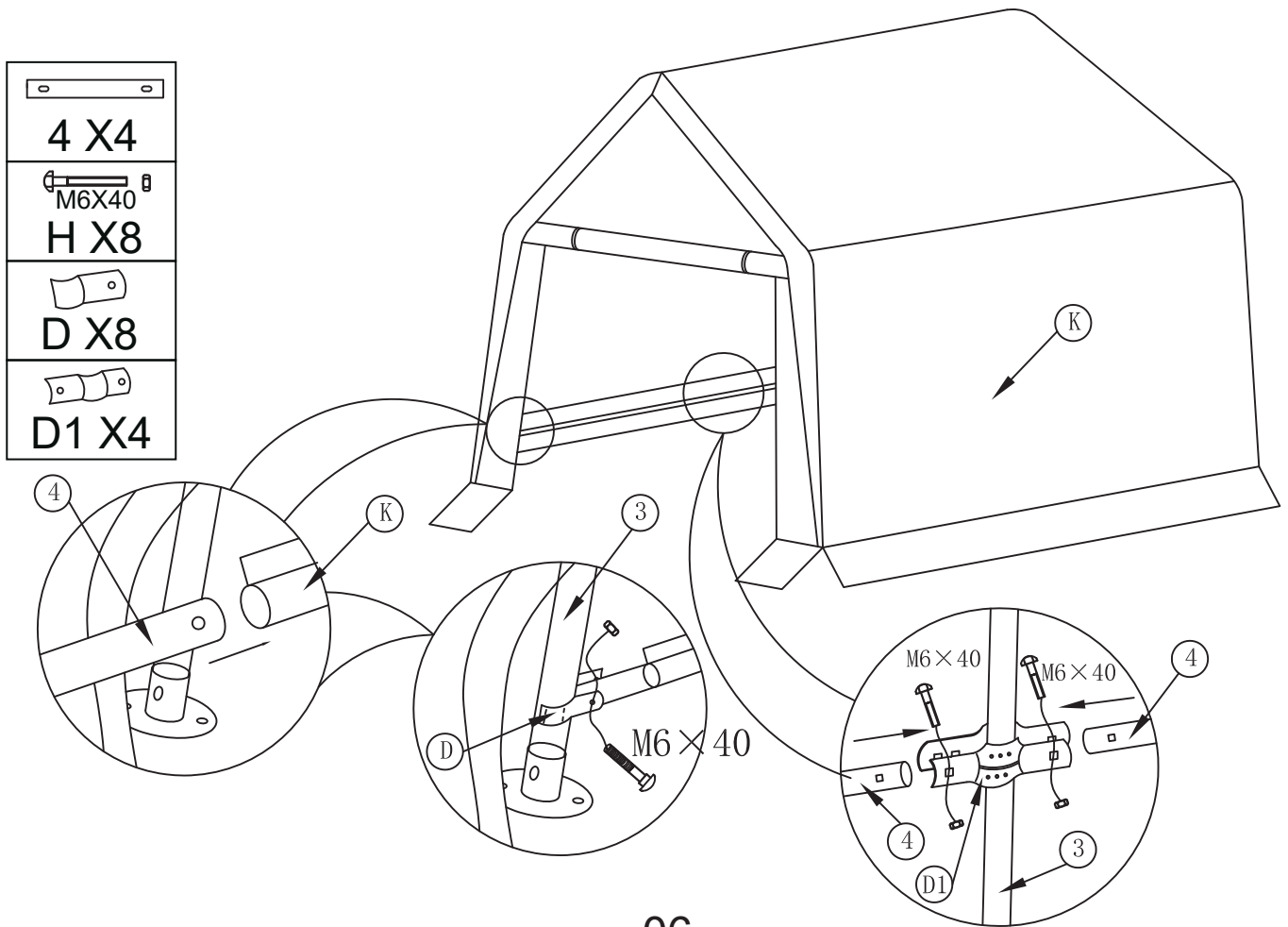
Please pay attention to the direction of tube connection, do not reverse the connection.




STEP 7

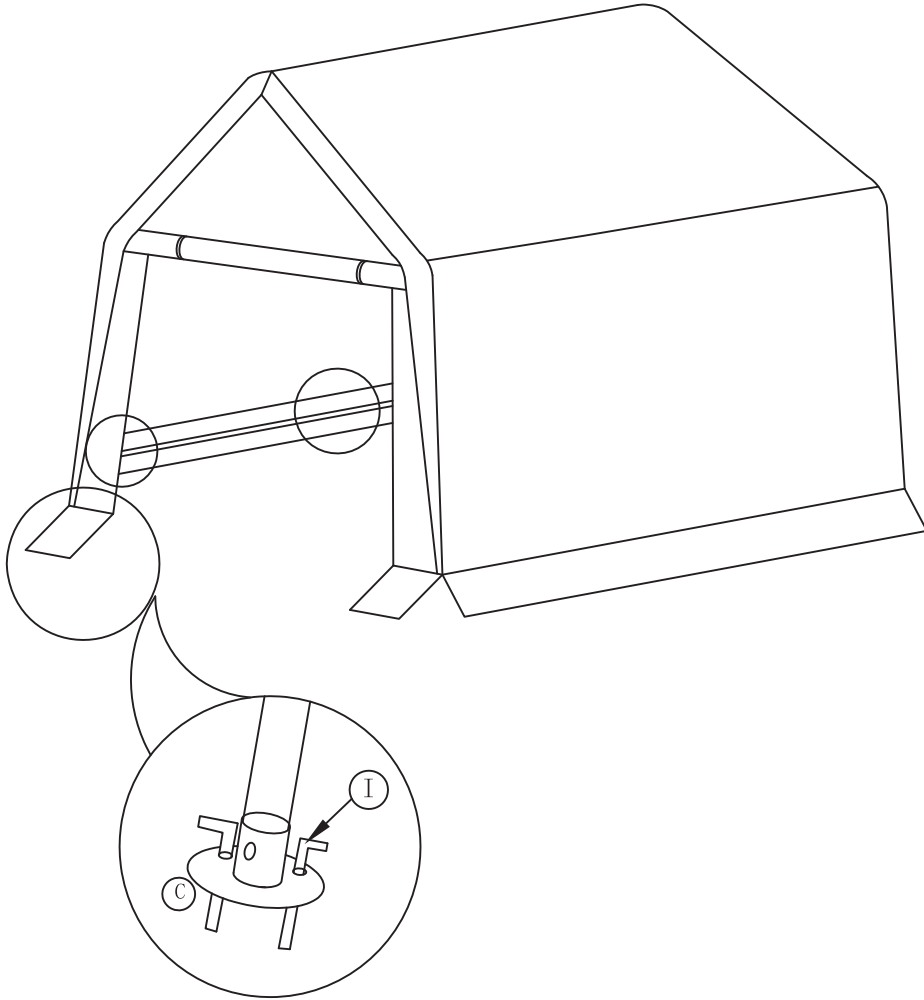


STEP 8

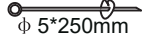


STEP 9


C X6
$\phi 4$
I X12



STEP 10


$\phi 5 \times 250\text{mm}$
E X4
$\phi 5$
J X4

