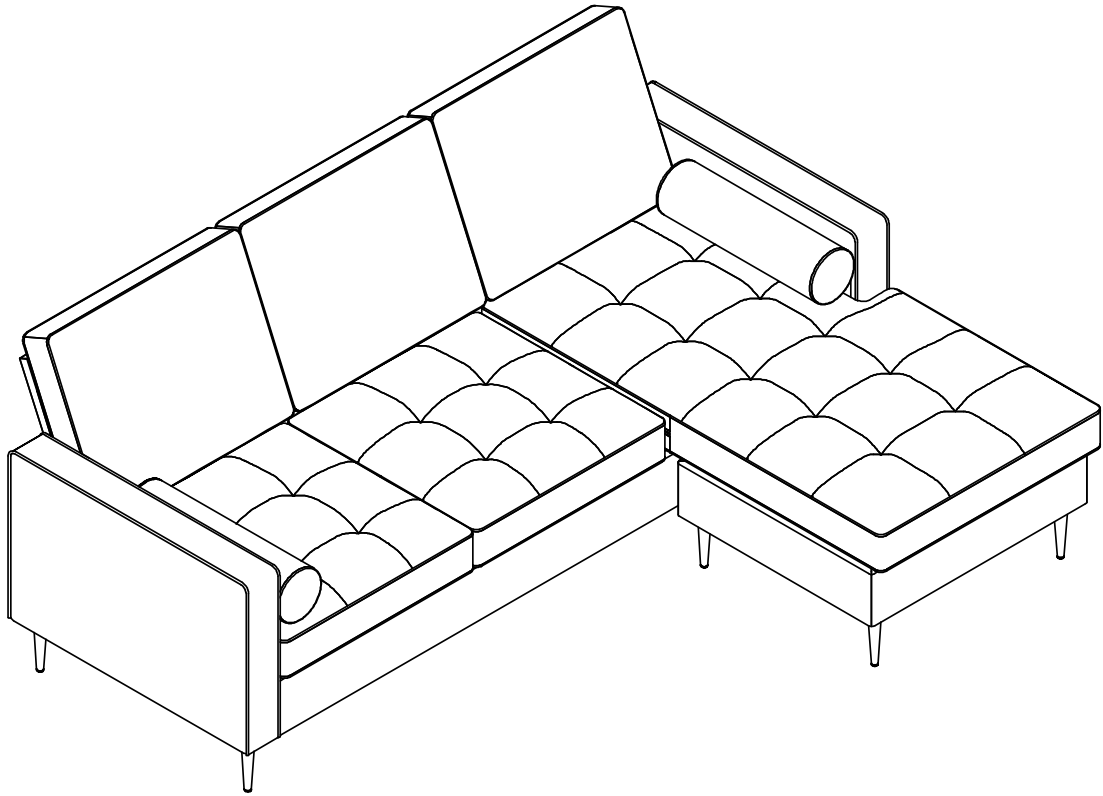
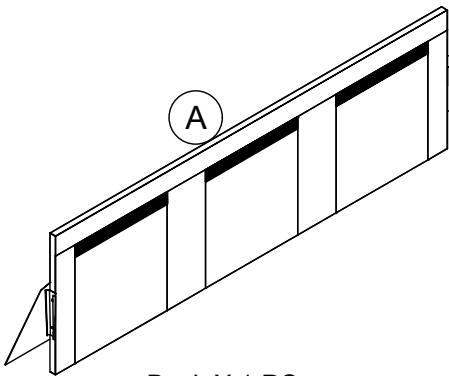


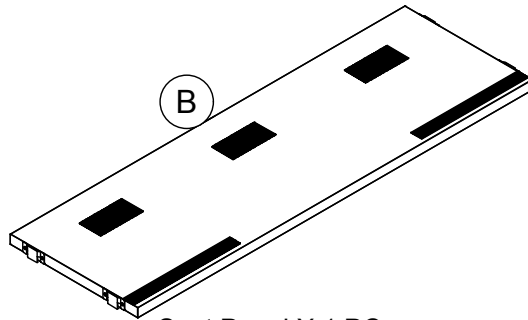
# Assembly Instruction



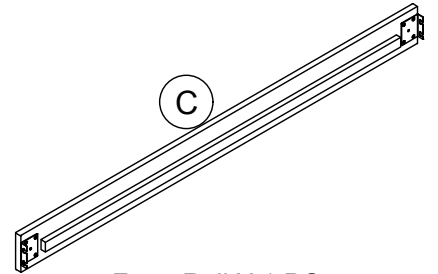
## PART



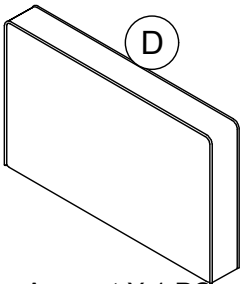
Back X 1 PC



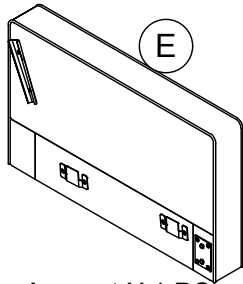
Seat Panel X 1 PC



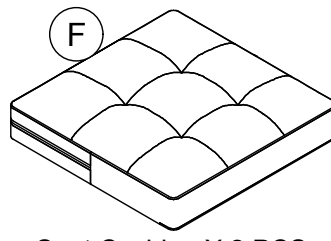
Front Rail X 1 PC



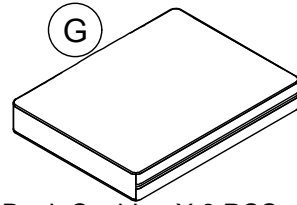
Armrest X 1 PC



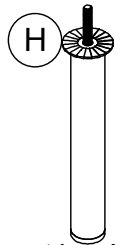
Armrest X 1 PC



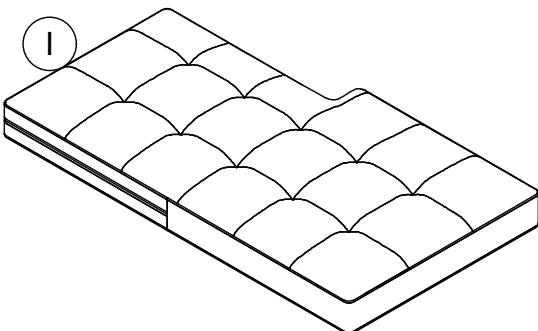
Seat Cushion X 2 PCS



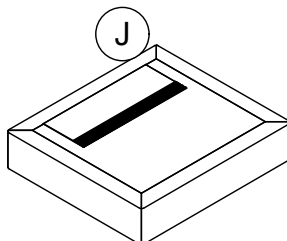
Back Cushion X 3 PCS



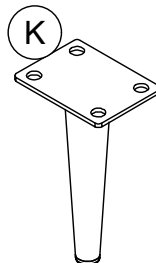
Support Leg X 1 PC



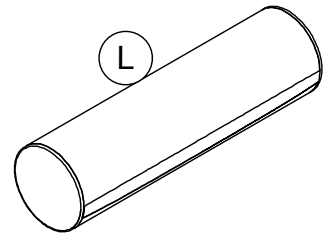
Long Seat Cushion X 1 PC



Ottoman X 1 PC

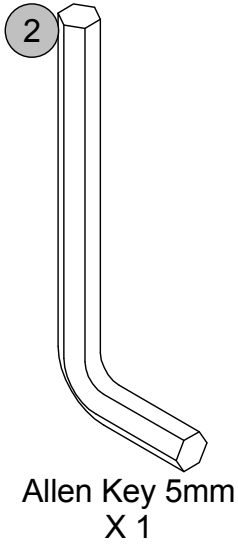
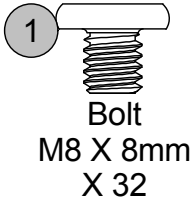


Leg X 8 PCS



Pillow X 2 PCS

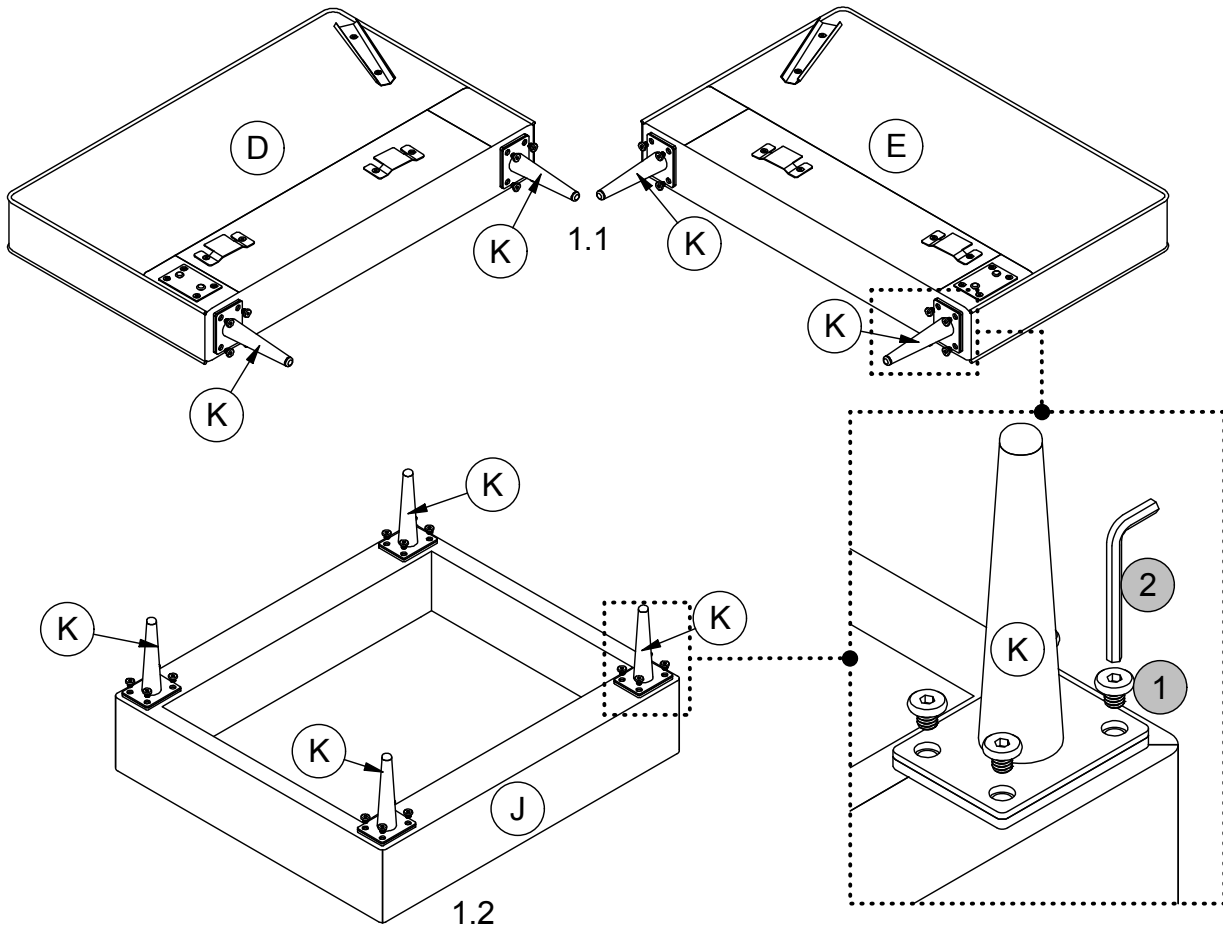
# HARDWARE



## Step 1:

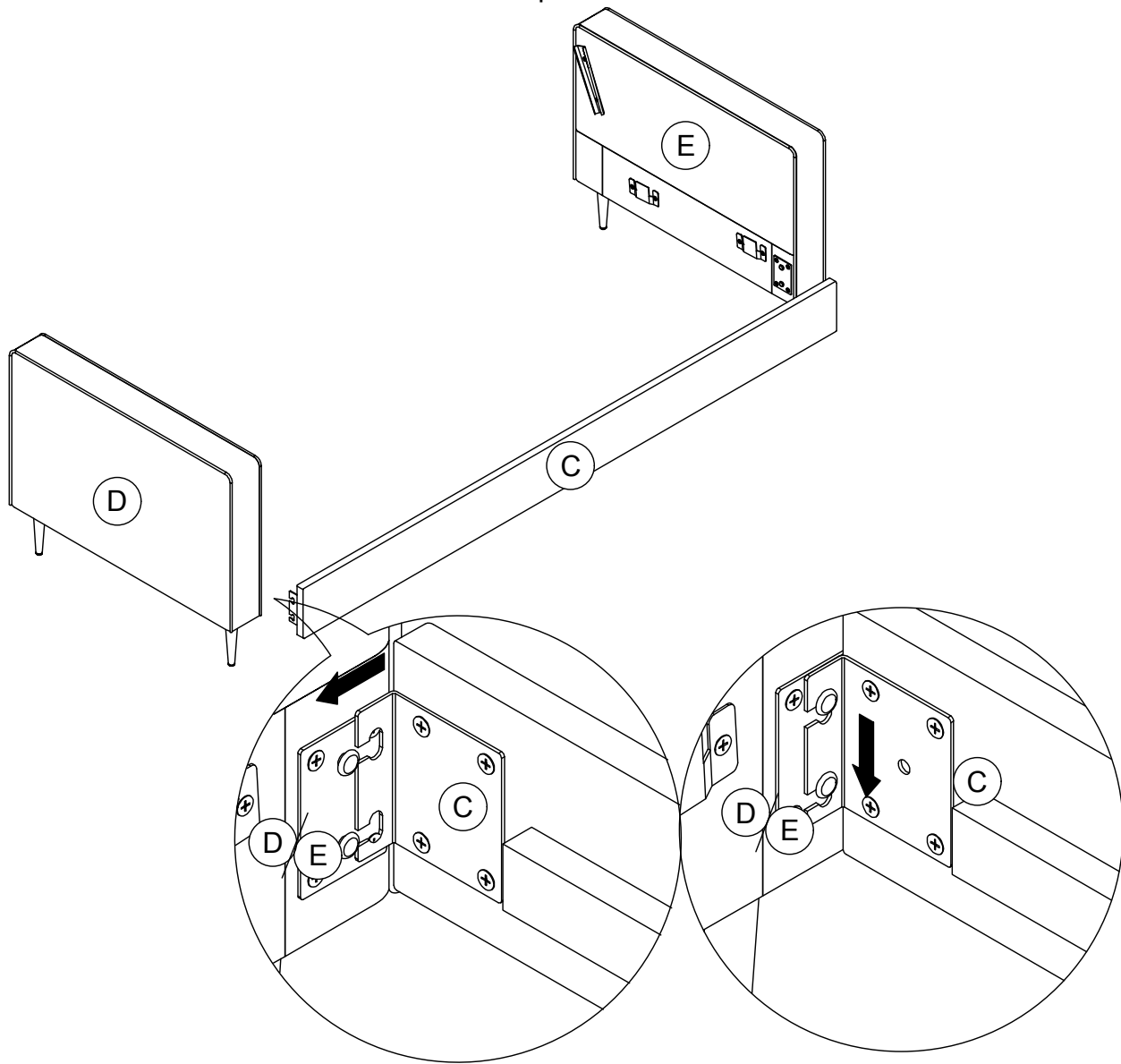
1.1 Attach **K** x 4 to **D** & **E** with **1**.

1.2 Attach **K** x 4 to **J** with **1**, as shown.




**Step 2:**

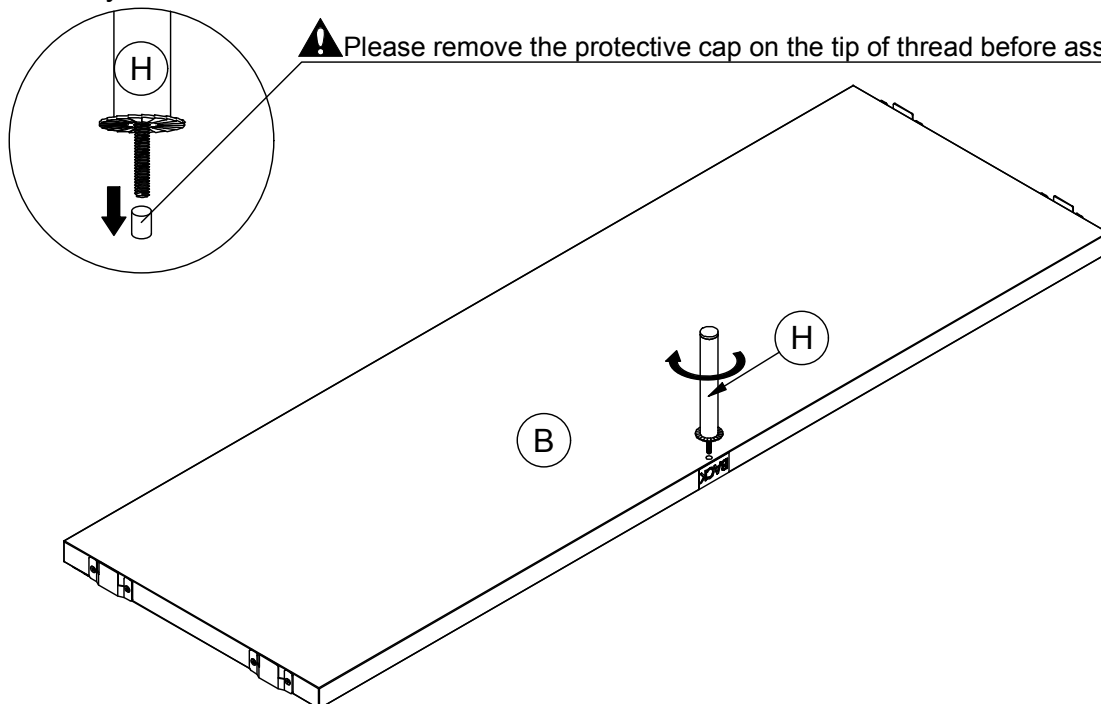
Attach **C** to **D** & **E** by inserting the brackets on **C** into the metal plate on **D** & **E**, as shown. Push **C** with a downward force to secure it into place.



**Step 3:**

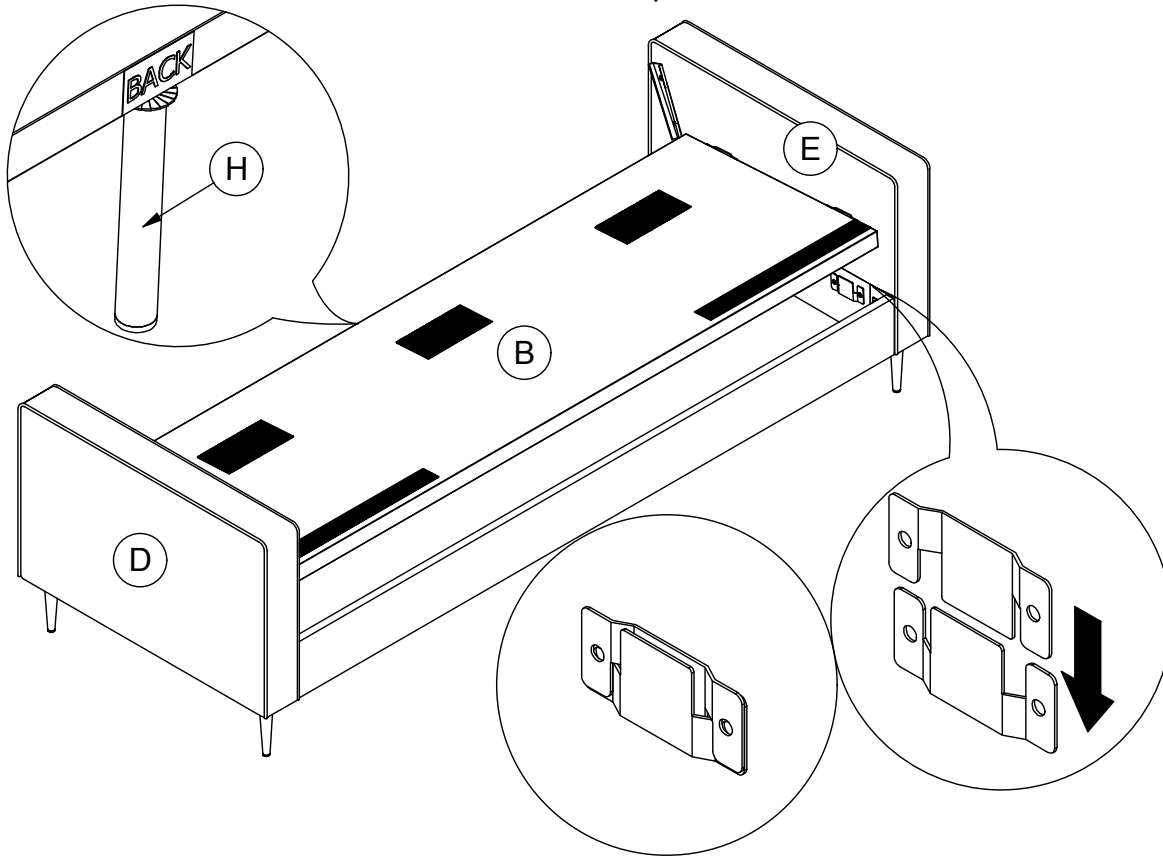
Manually screw **H** to **B**, as shown.

 Please remove the protective cap on the tip of thread before assembling.



**Step 4:**

Attach **B** to **D** & **E** by inserting the metal brackets on **B** into the metal glides on **D** & **E**, as shown. Push **B** with a downward force to secure it into place.

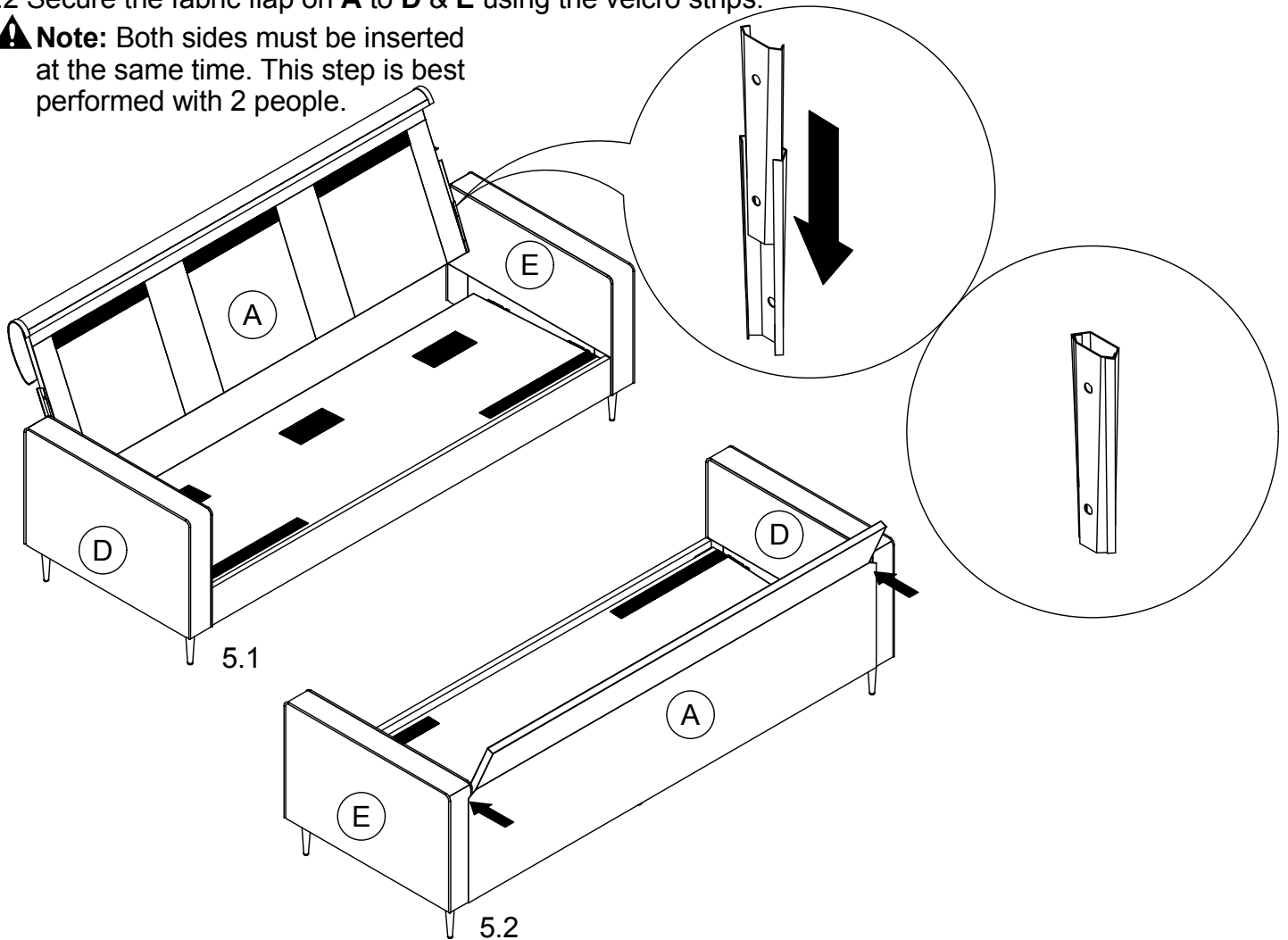


**Step 5:**

5.1 Attach **A** to **D** & **E** by inserting the brackets on **A** into the metal glides on **D** & **E**. Push **A** with a downward force to secure it into place.

5.2 Secure the fabric flap on **A** to **D** & **E** using the velcro strips.

**⚠ Note:** Both sides must be inserted at the same time. This step is best performed with 2 people.

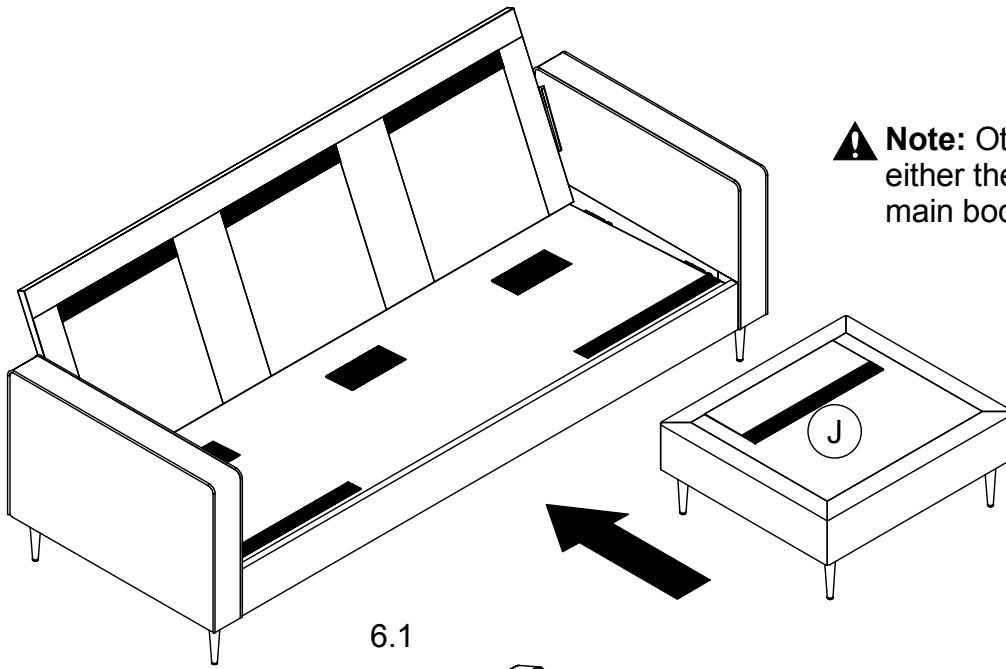


**Step 6:**

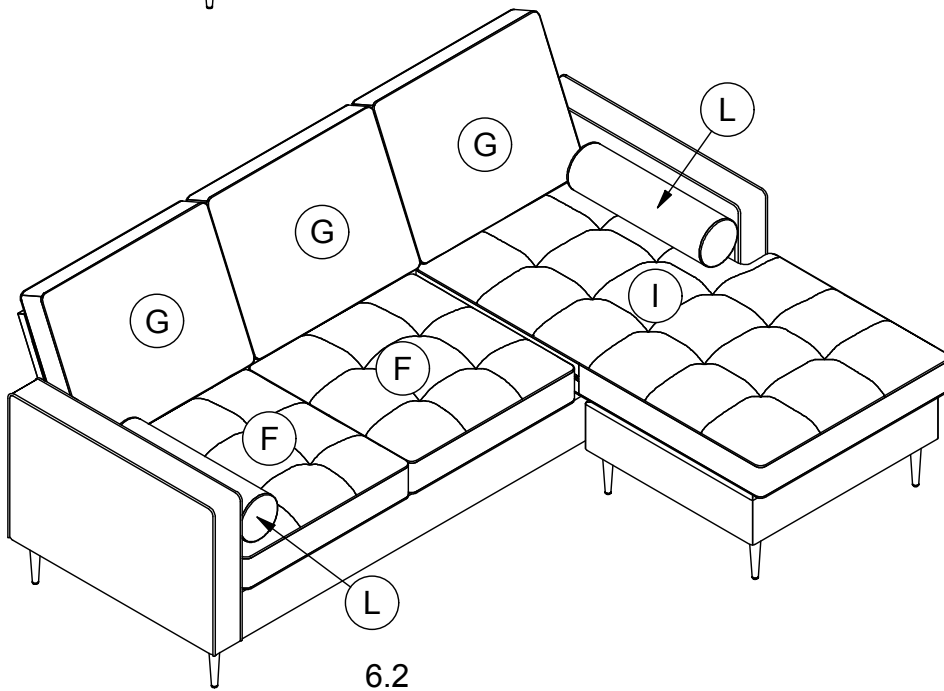
6.1 Place **J** in front of the assembled sofa using the velcro strips.

6.2 Place **F** x 2 , **G** x 3 , **I** & **L** x 2 onto the sofa.

**⚠ Note:** Ottoman **J** can be placed on either the left or right side of the sofa main body.



6.1



6.2