

ASSEMBLY INSTRUCTION

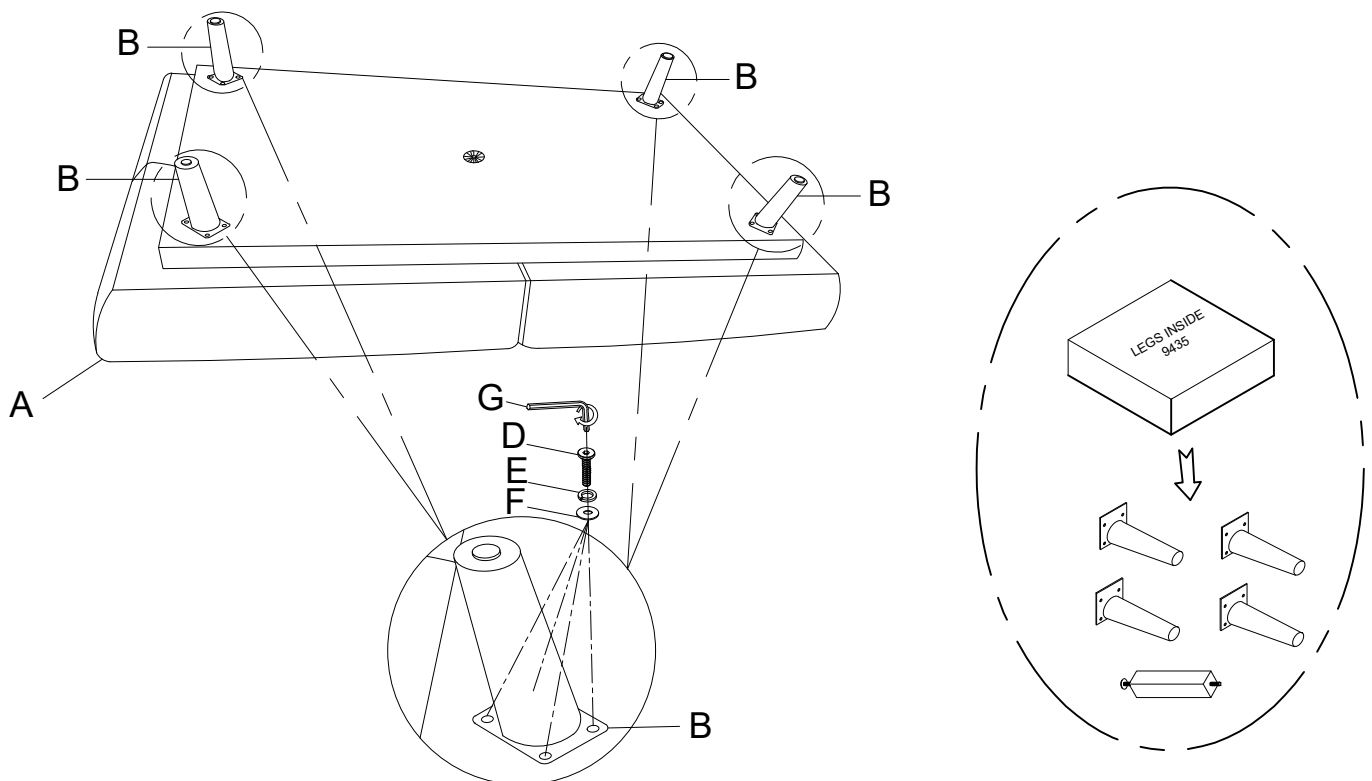
ELEGANT LOUNGER

! Hardware and legs stored in the box, please take out of assembly.
 It is recommended to install protective pads under all legs and supports to avoid damage or scratches when placing furniture on a wood floor or other hard surface, and to limit indentation and prevent discoloration if placing on carpet.

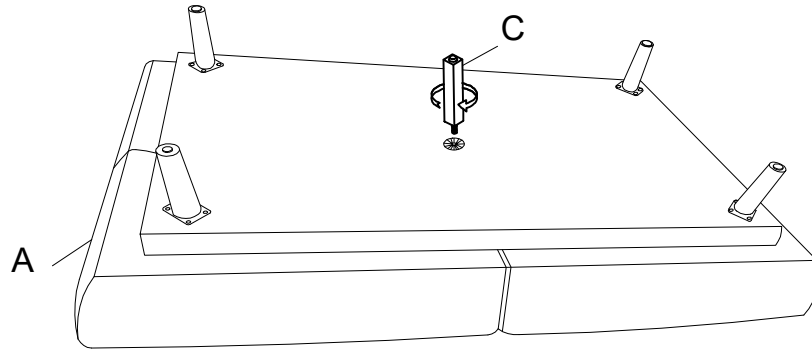
PARTS LIST

NO.	DRAWING	QTY	DESCRIPTION
A		1 PC	SEAT
B		4 PCS	WOODEN LEG
C		1 PC	SUPPORT LEG
D		16 PCS	BOLT Ø1/4"-20x1-1/4"L
E		16 PCS	SPRING WASHER Ø1/4"-9/32"-1/2"x1/16"T
F		16 PCS	FLAT WASHER Ø1/4"-9/32"-5/8"x1/16"T
G		1 PC	ALLEN KEY 1/6" x 2-3/8"L

STEP 1:

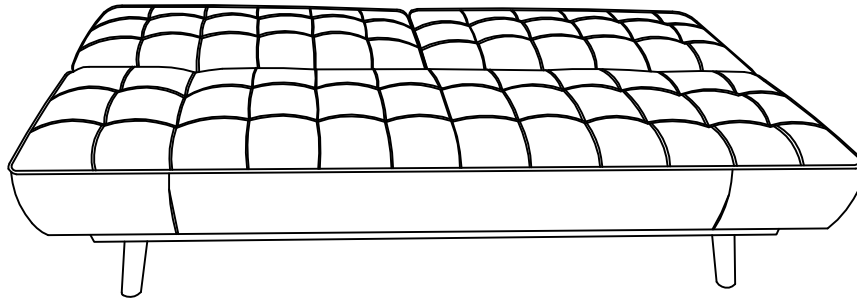


STEP 2:

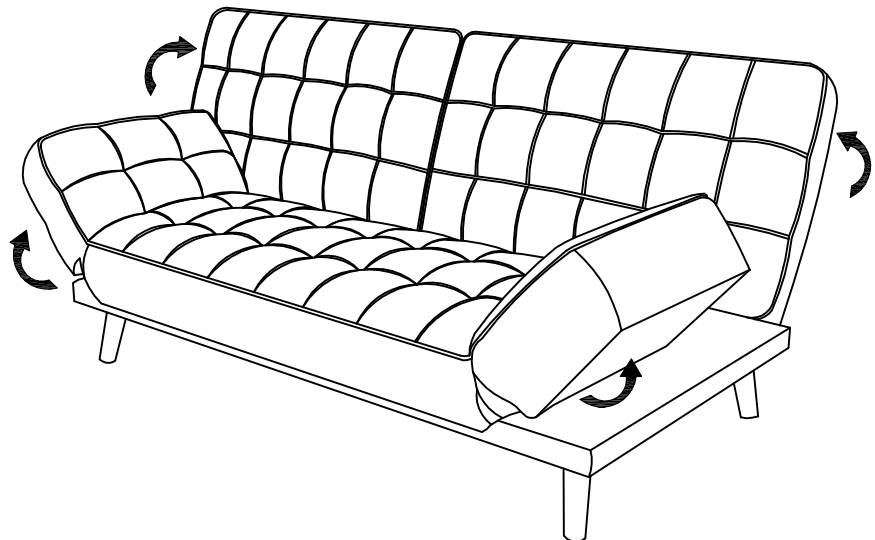


STEP 3: COMPLETED

Push arm and back rest forward fully then pull down slowly to flat position as a bed.



Lift up the arm and back rest to adjust the angle as a lounger.



CARE INSTRUCTION FOR CHENILLE FURNITURE

In order to maintain the original appearance of your Chenille furniture, please follow below care procedures:

- Avoid exposing furniture directly to sunlight or heating and air conditioning outlets. Sunlight and/or exposure to heating and air conditioning outlets will fade/damage Chenille.
- Do not place your Chenille furniture too close to windows, radiators, or vents and be sure to use window, radiators, or vents.
- Vacuum or wipe with a soft brush to remove dust.
- For items used on wooden floor, hard surfaces or carpets, it is recommended to install protective pads under all legs supports to avoid/prevent from damages/scratches discoloration.