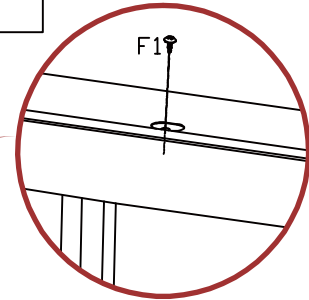
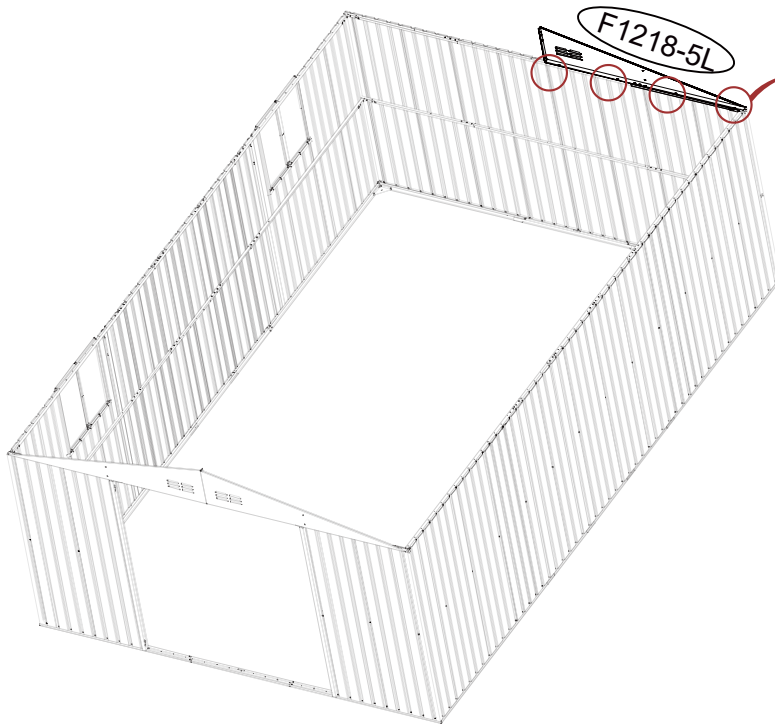
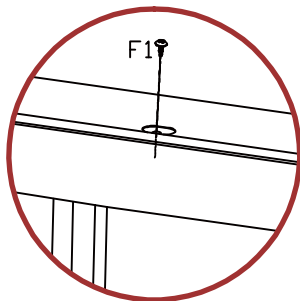


STEP 32

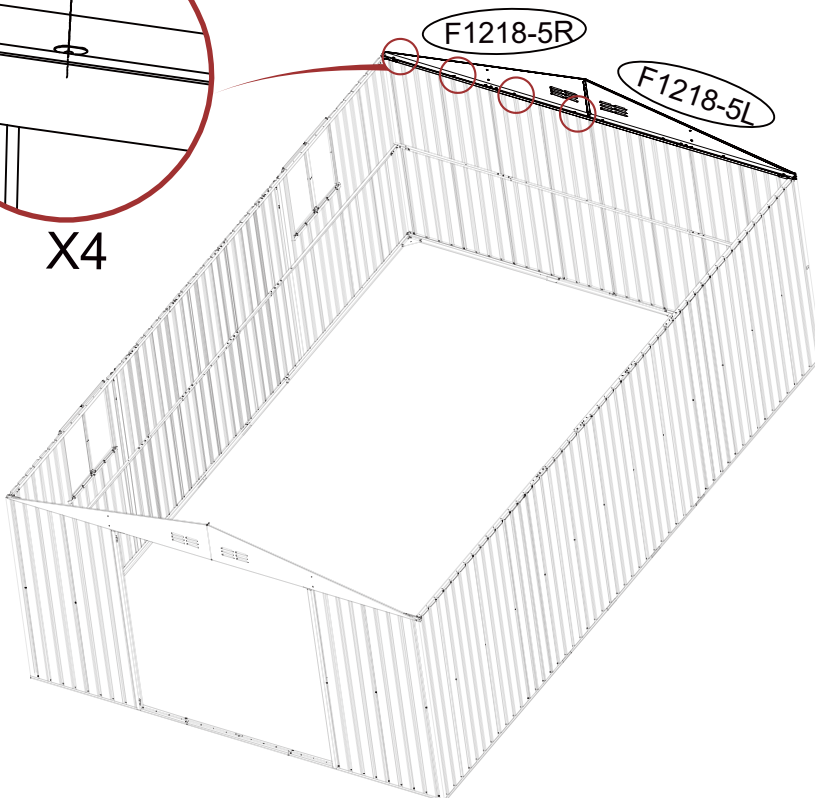
Attention: Assemble the ventilation board screws in the order shown in the diagram, Install the middle hole first to avoid misalignment.




X4

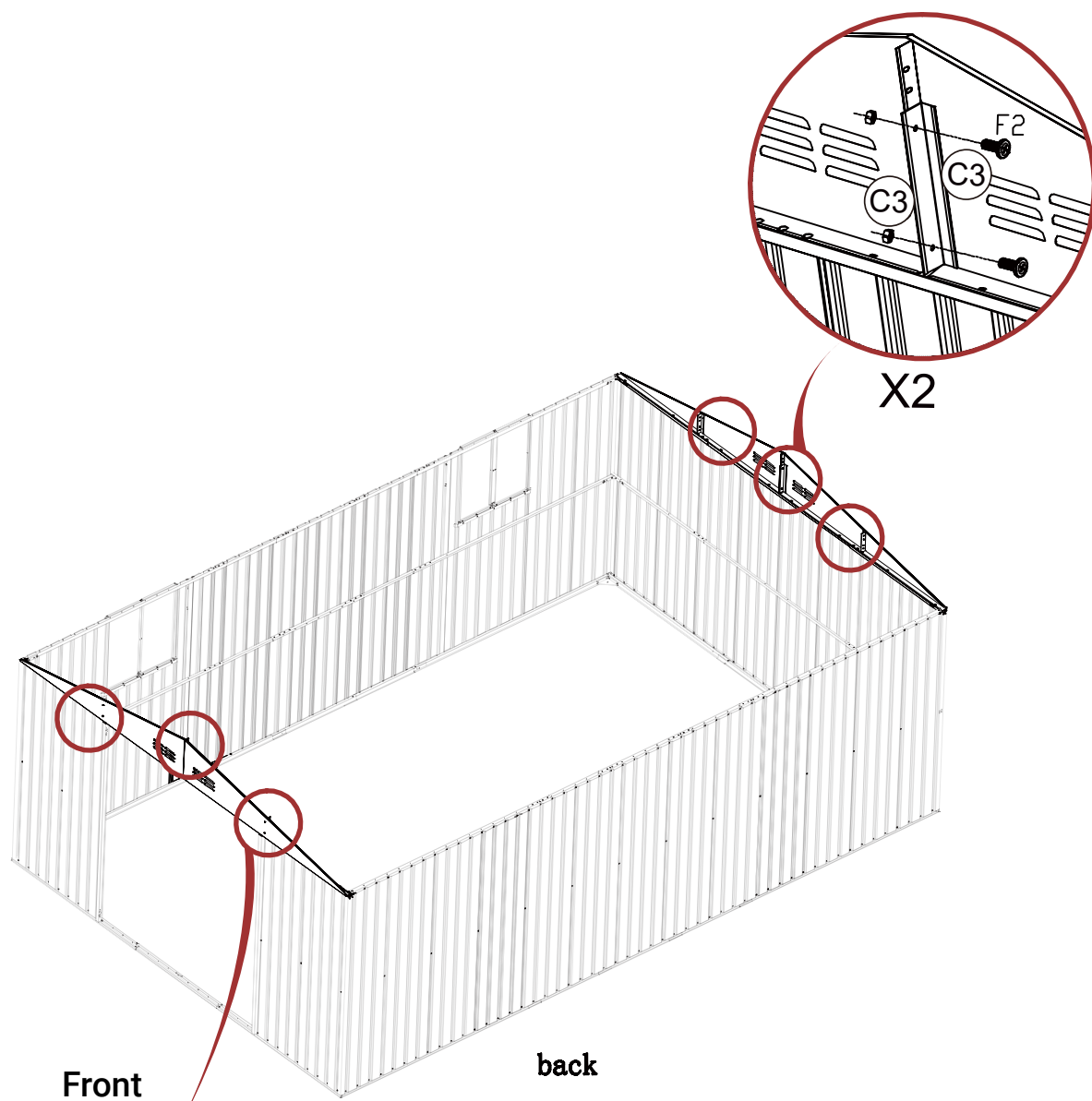


X4



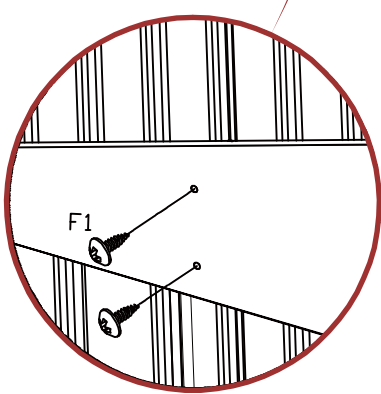
	F1	8
---	----	---

STEP 33

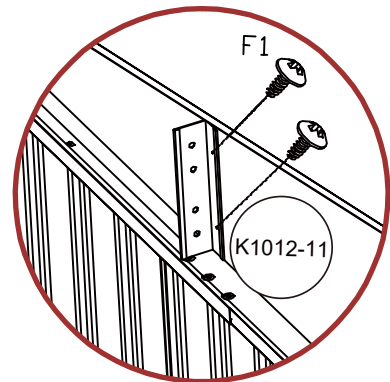




Front

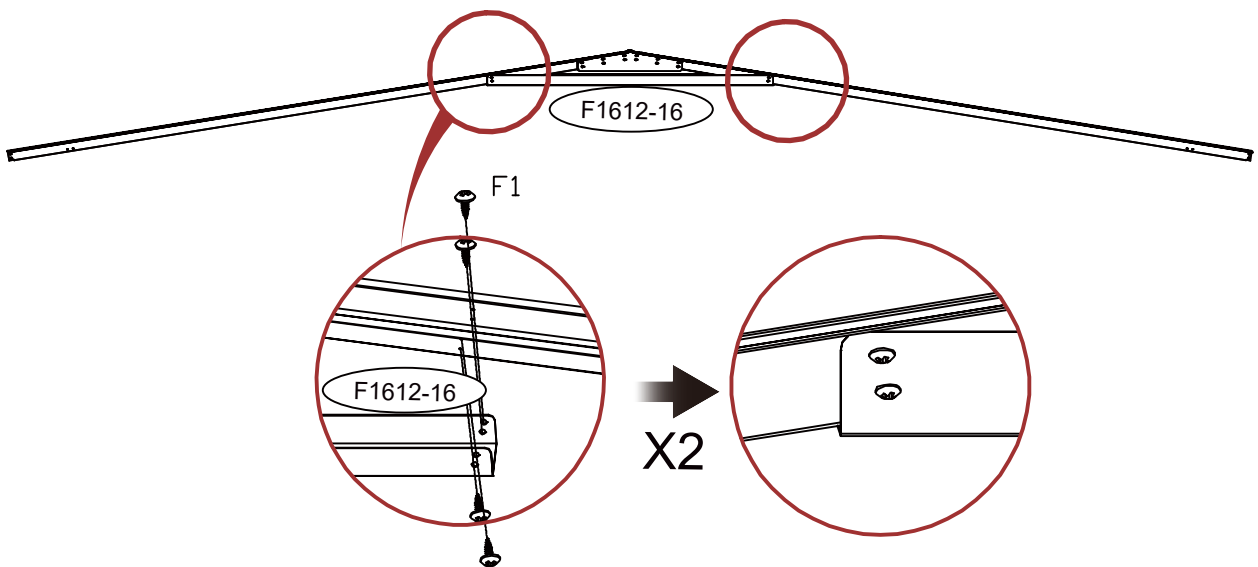
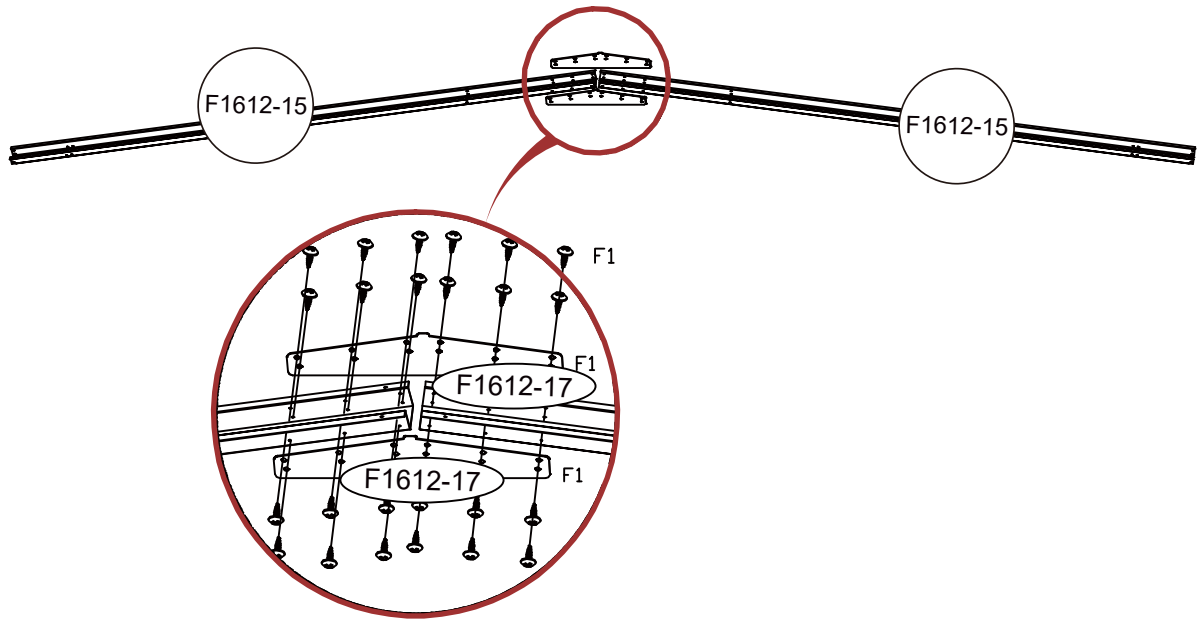
back




X4

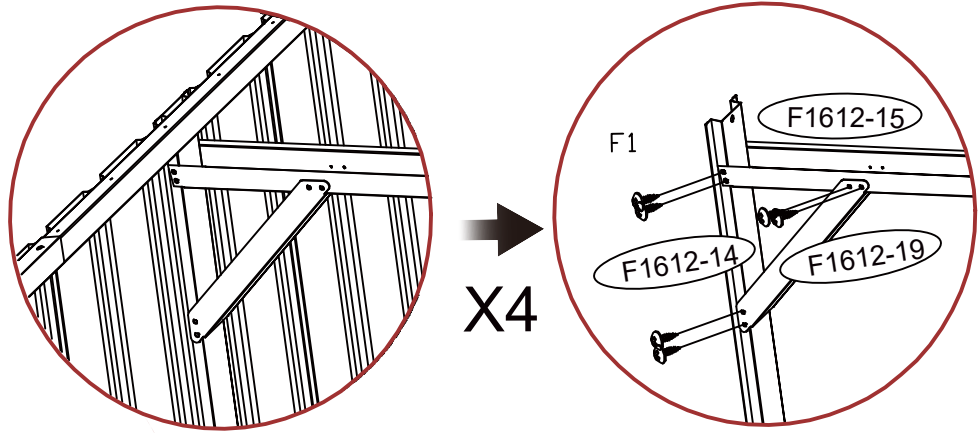


	F1	8
	F2	4

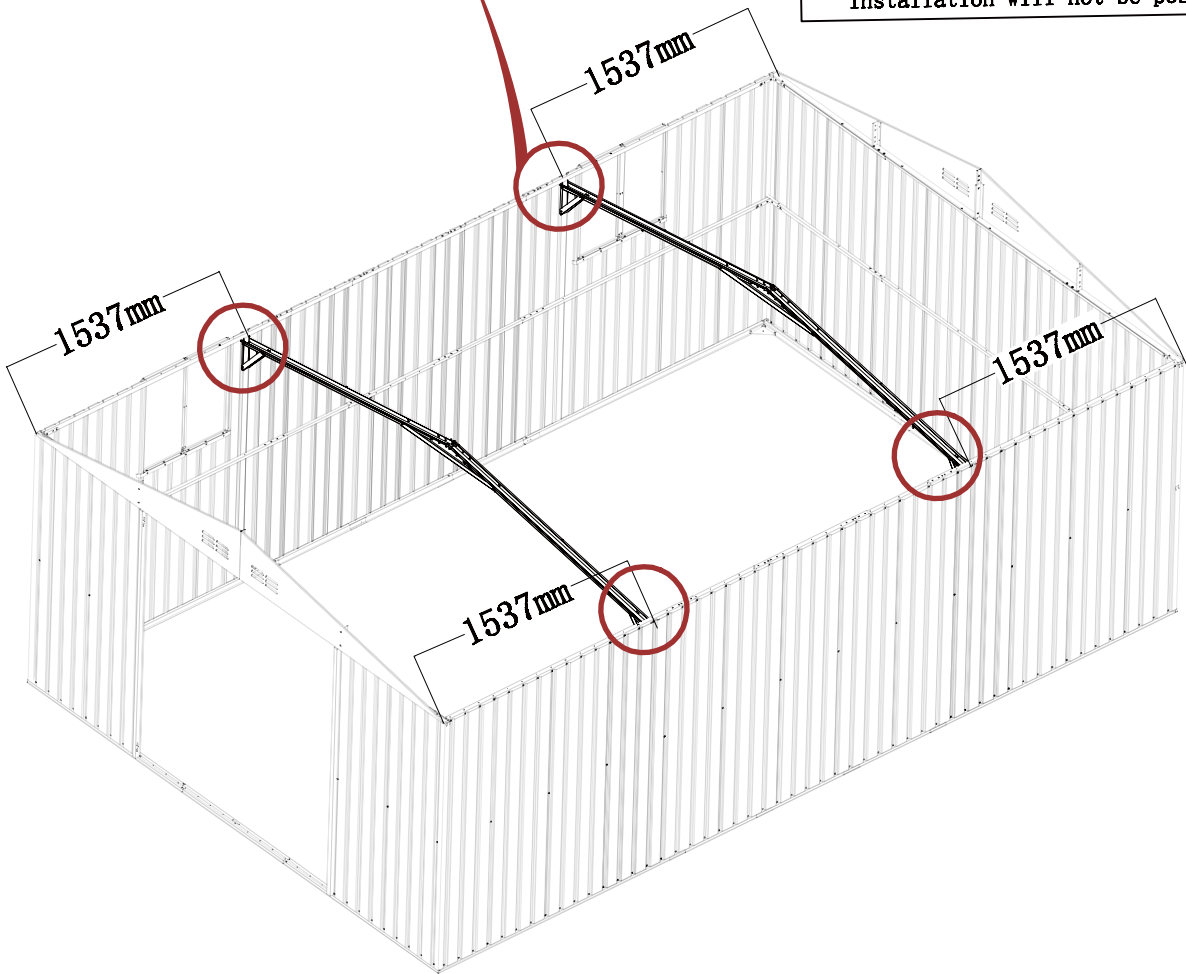



	F1	64
---	----	----

STEP 35



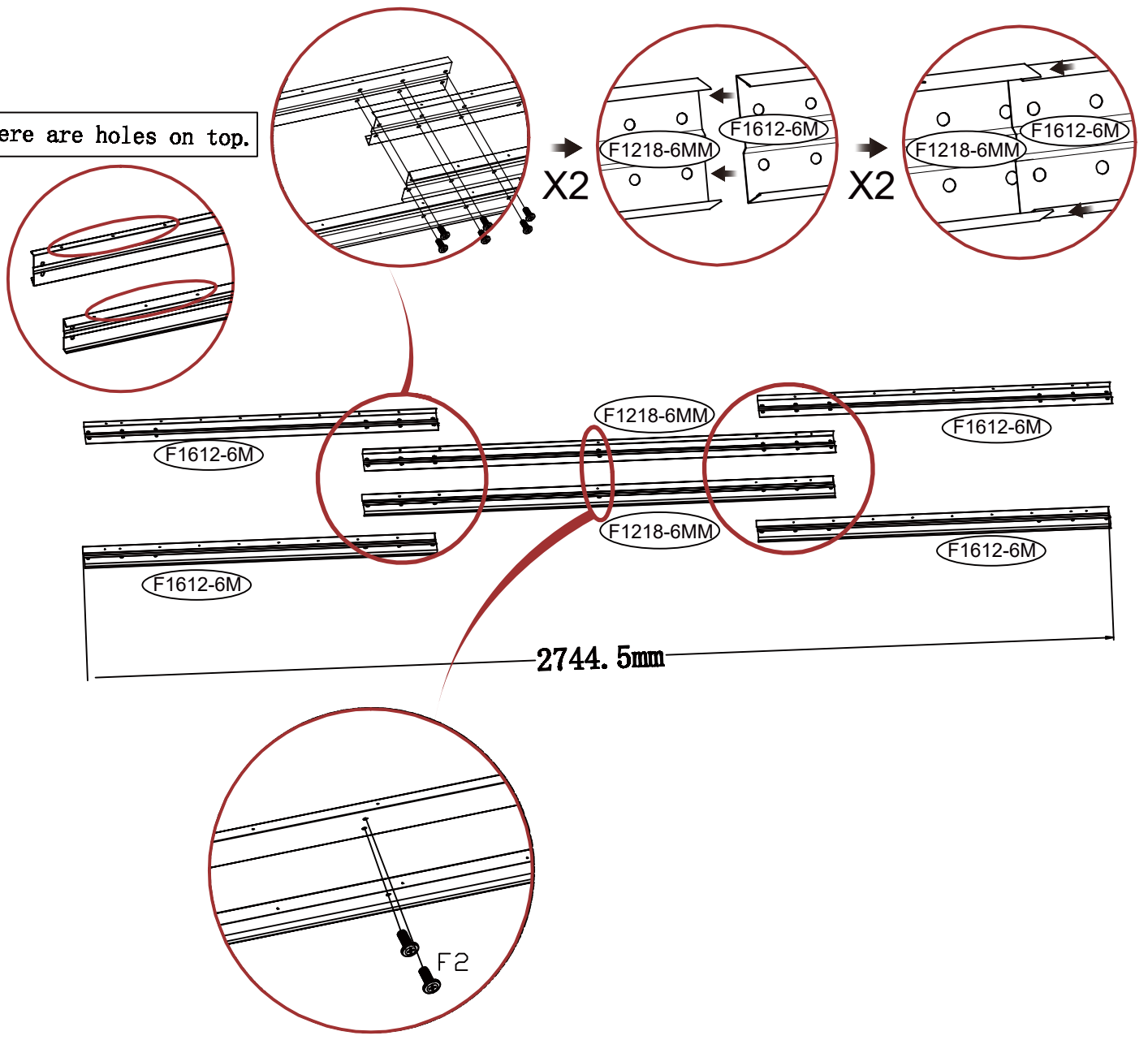
Note: When installing F1612-19, ensure that both F1612-14 are on the same plane. Otherwise, subsequent installation will not be possible.



	F1	48
---	----	----

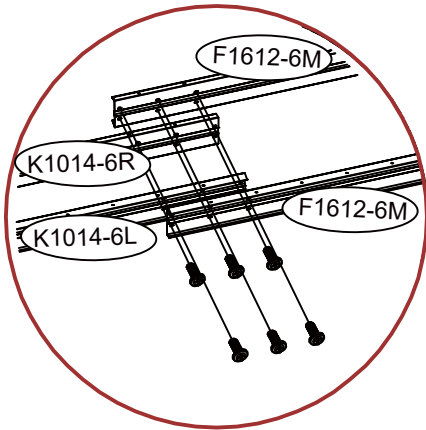
STEP 36

There are holes on top.

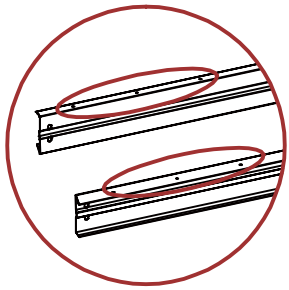


	F2	14
---	----	----

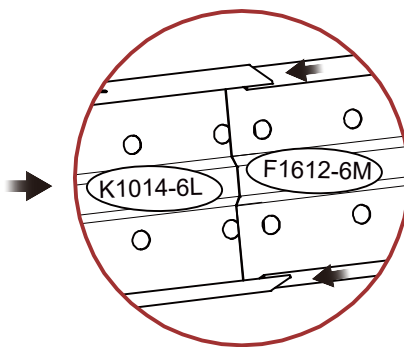
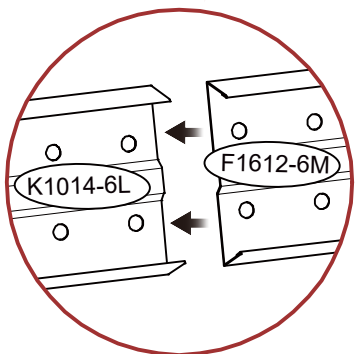
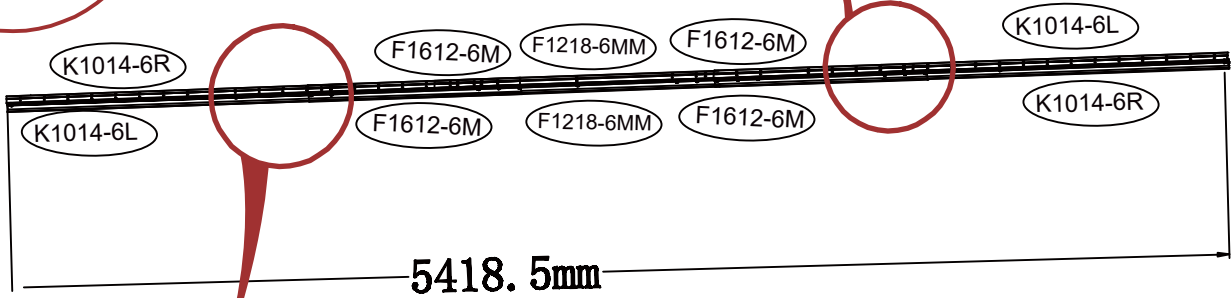
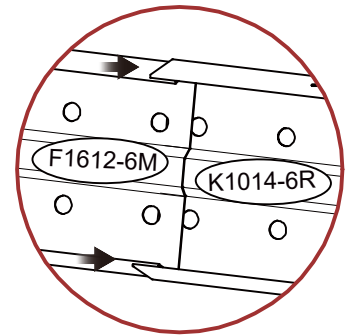
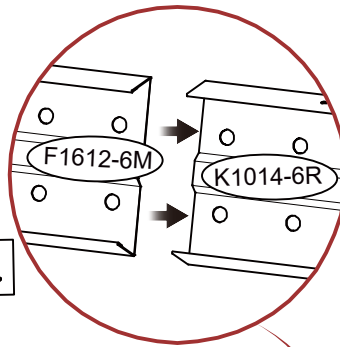
STEP 37



F1612-6M has a smaller width and can be fitted into K1014-6R .



There are holes on top.

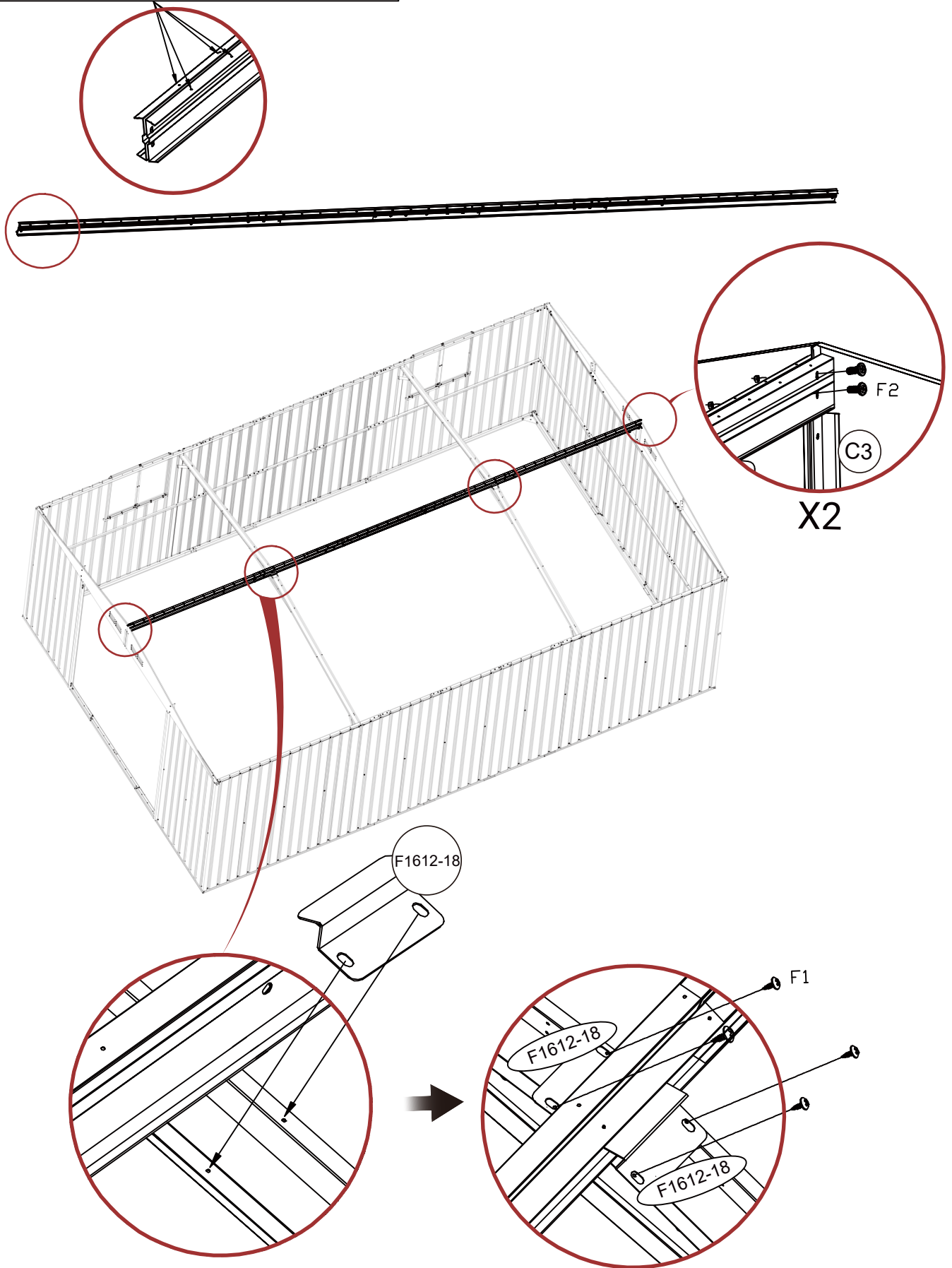




F1612-6M has a smaller width and can be fitted into K1014-6L .

	F2	12
--	----	----

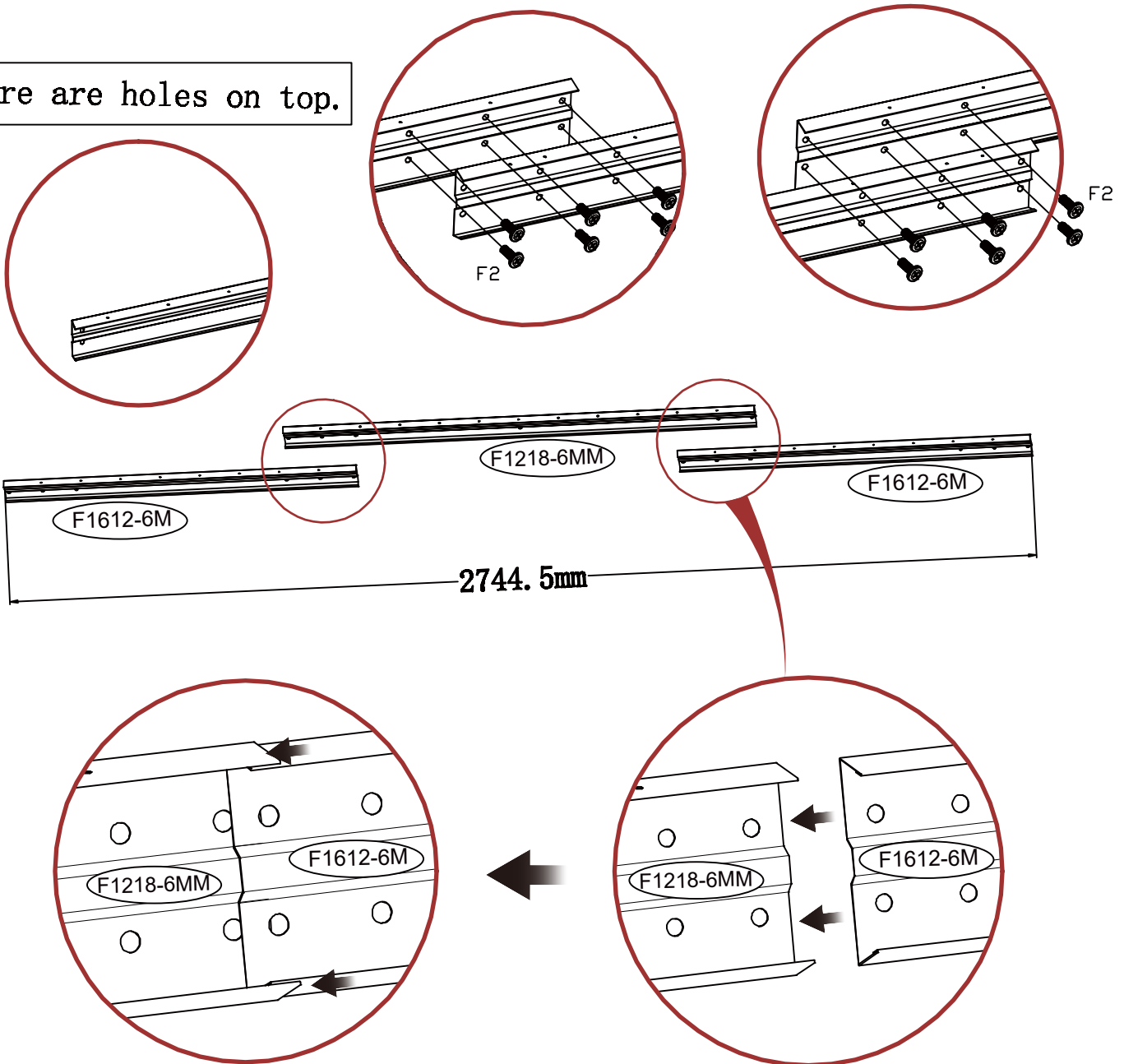
STEP 38

There are holes on top.



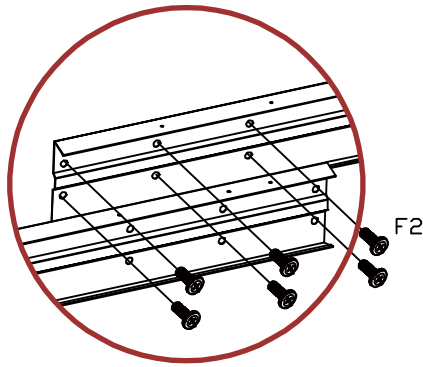
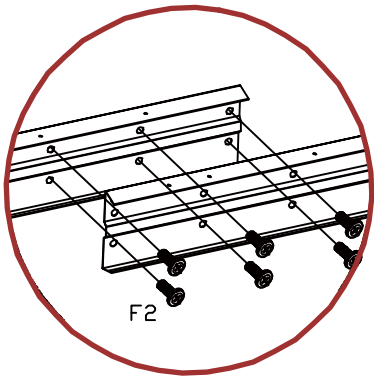
	F1	8
	F2	4

There are holes on top.



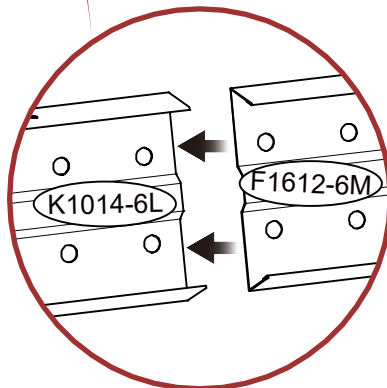
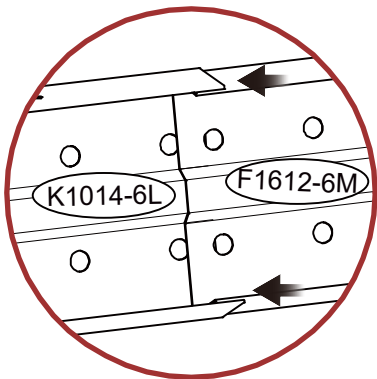
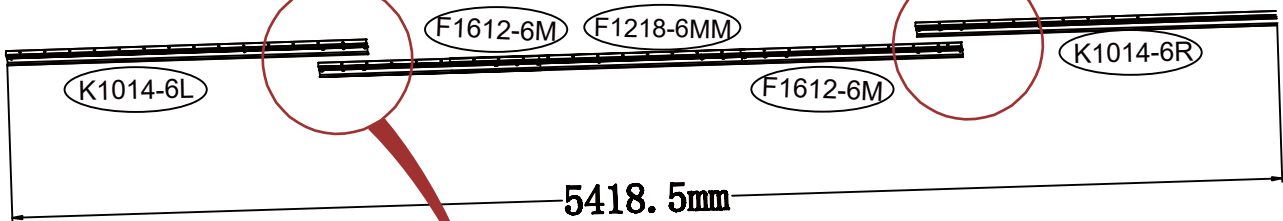
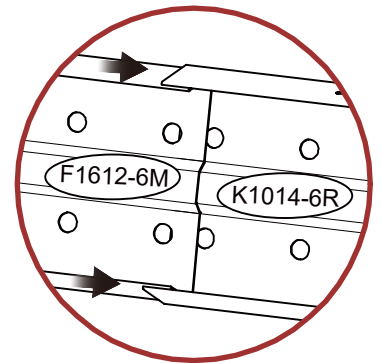
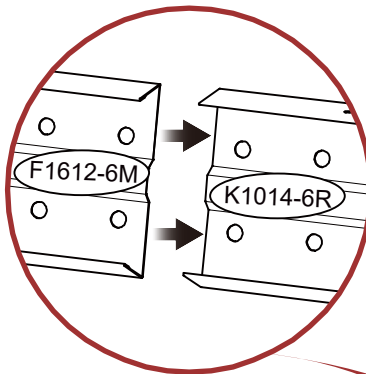
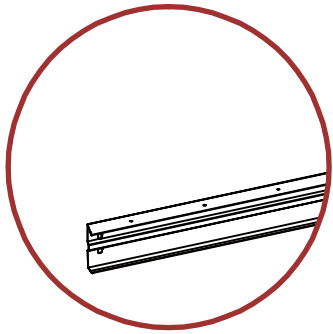
F1612-6M has a smaller width and can be fitted into F1218-6MM .

	F2	24
---	----	----



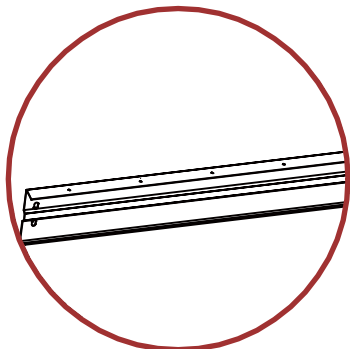
F1612-6M has a smaller width and can be fitted into K1014-6R .

There are holes on top

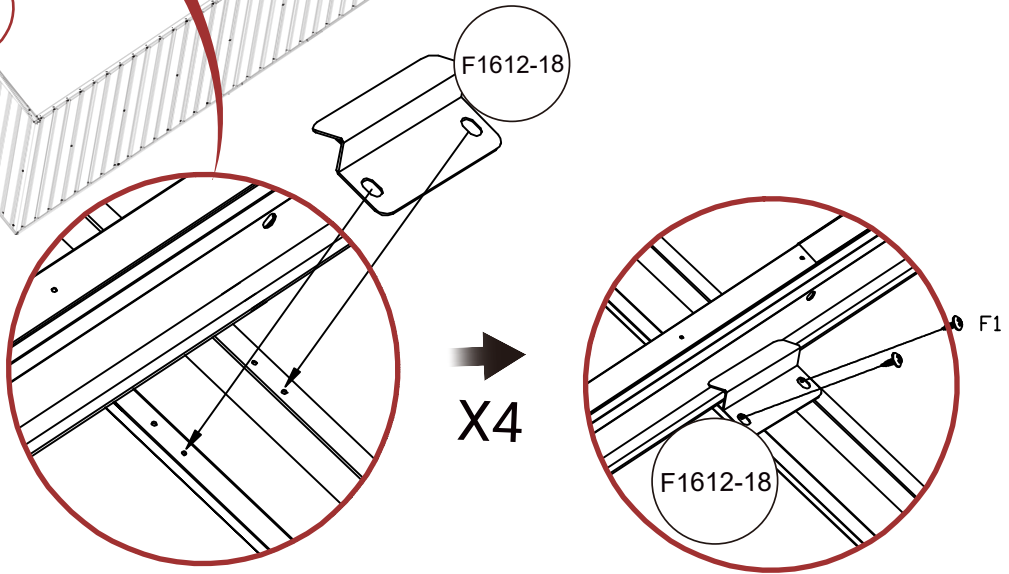
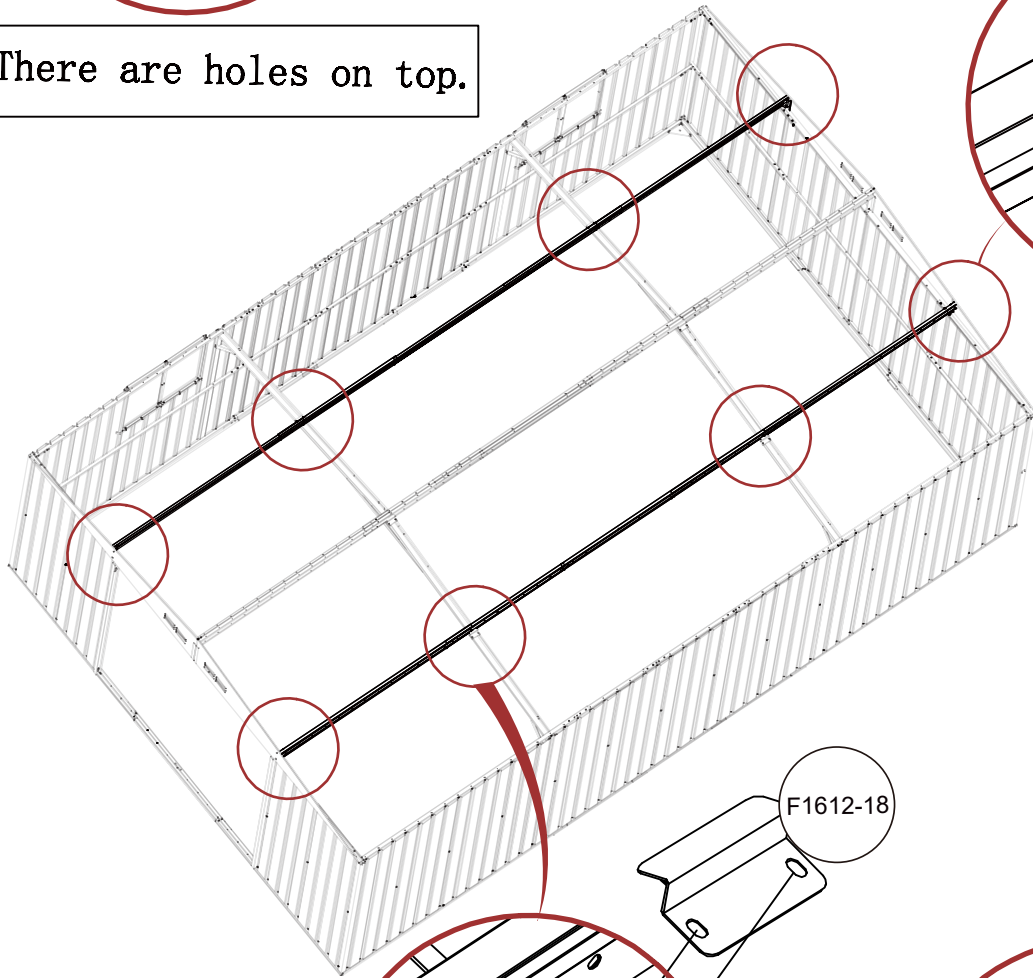
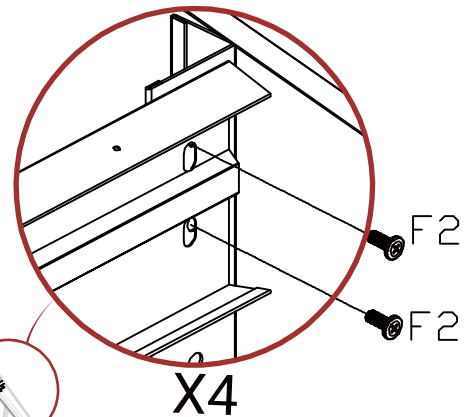




F1612-6M has a smaller width and can be fitted into K1014-6L .

STEP 41

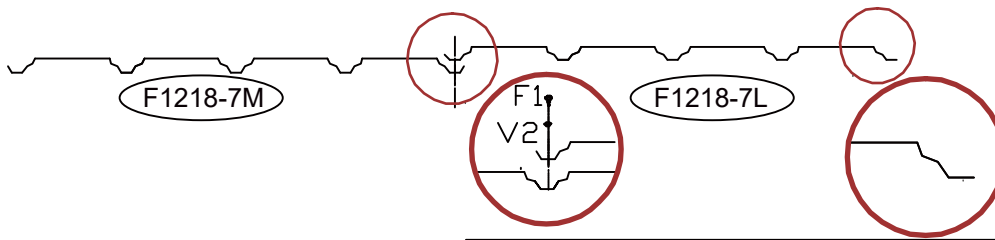


There are holes on top.



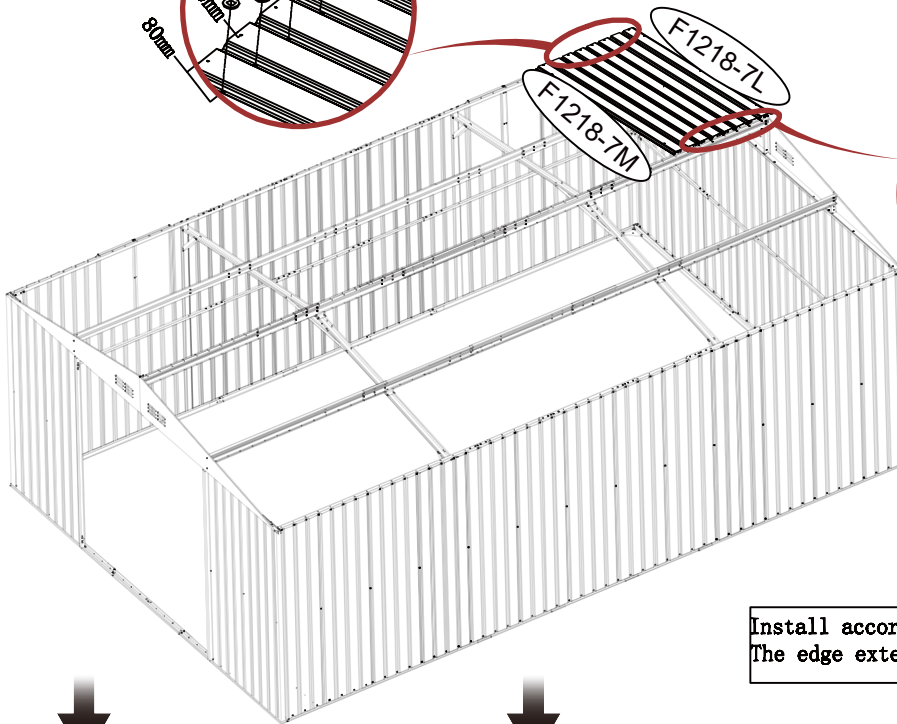
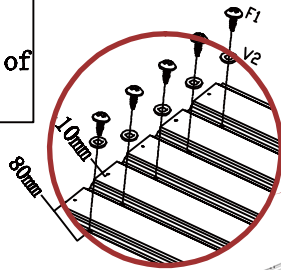
	F1	8
	F2	8

STEP 42

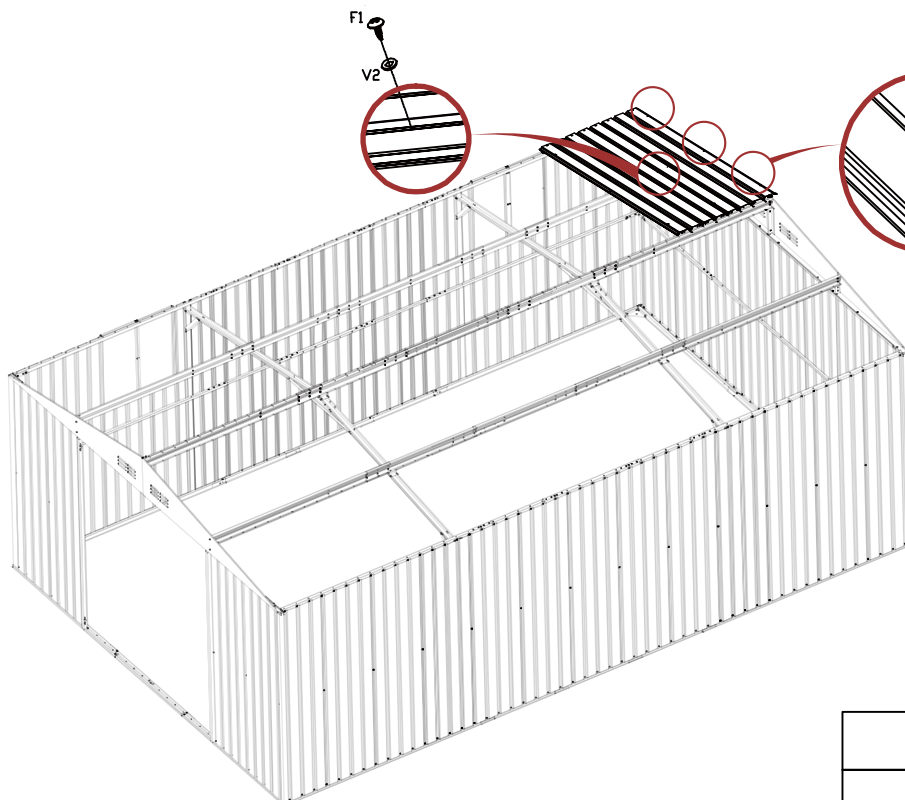


Pay attention to the installation dimensions of the top cover plate.



This is the installation of flat edges and K1012-8. Otherwise, there will be interference phenomena.



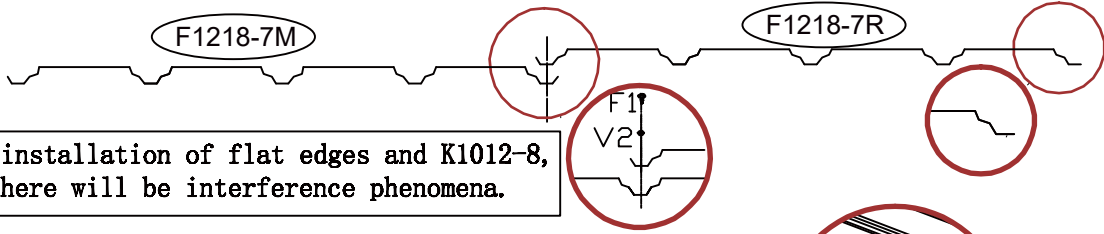
Install according to the diagram:
The edge extends outward by about 50mm.



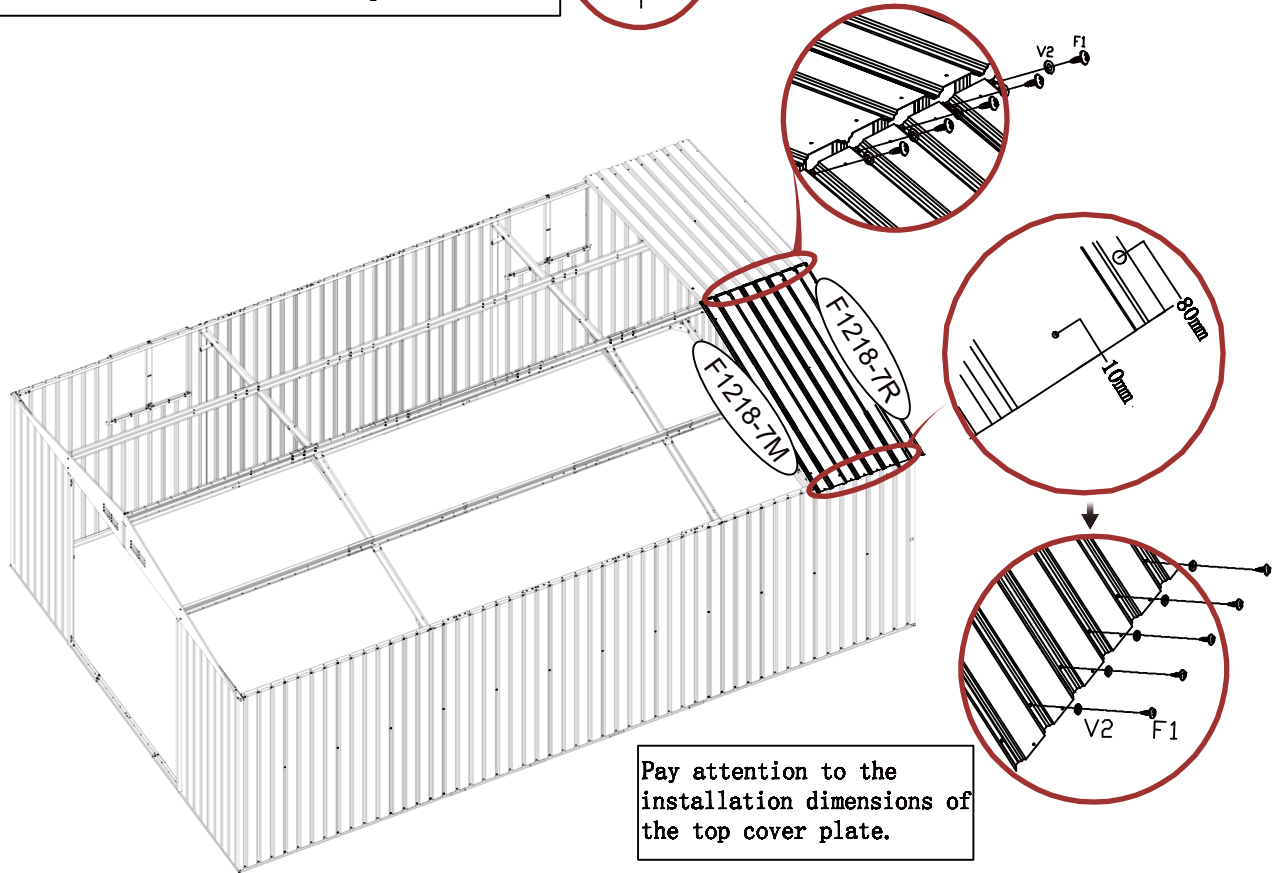
Attention: There are small holes on the outside for assembly with K1012-8.

	F1	15
	V2	15

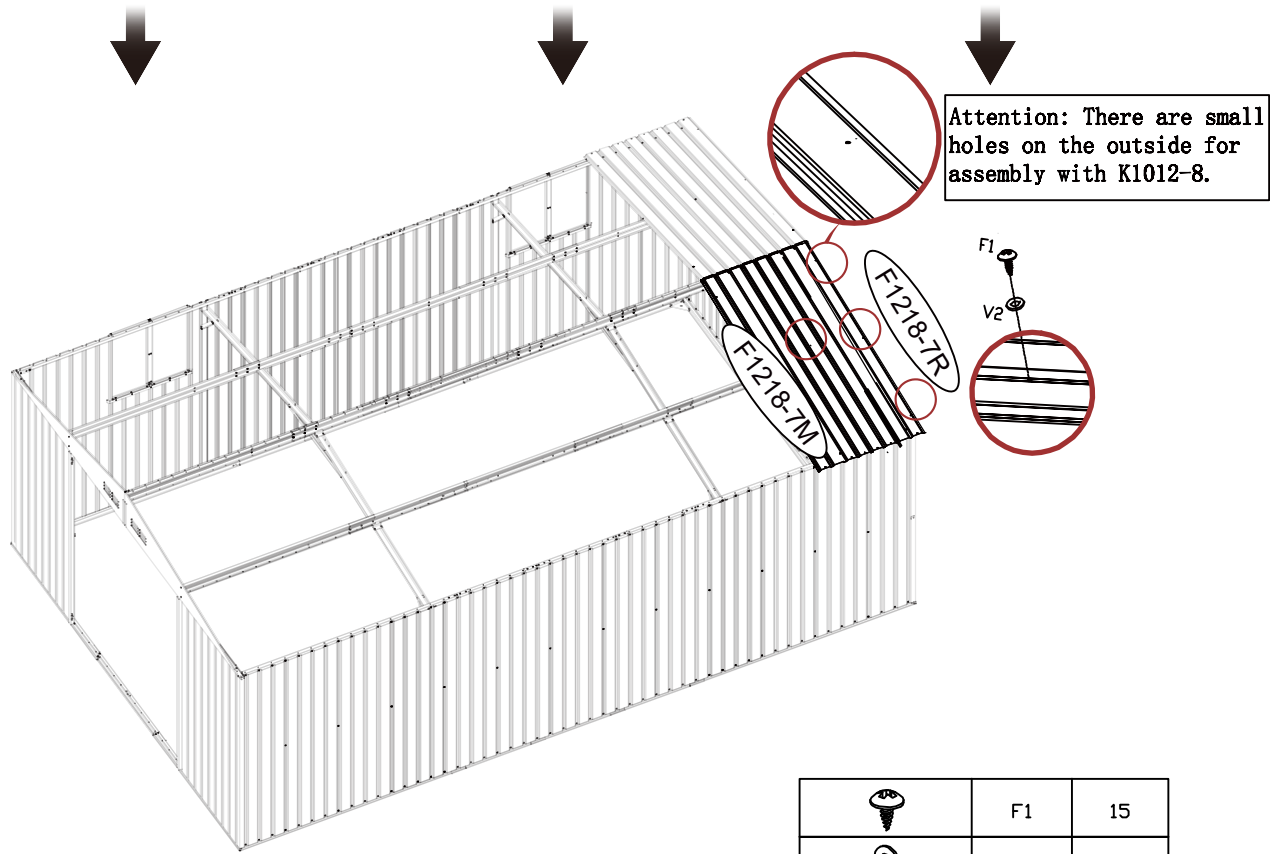
STEP 43



This is the installation of flat edges and K1012-8, Otherwise, there will be interference phenomena.



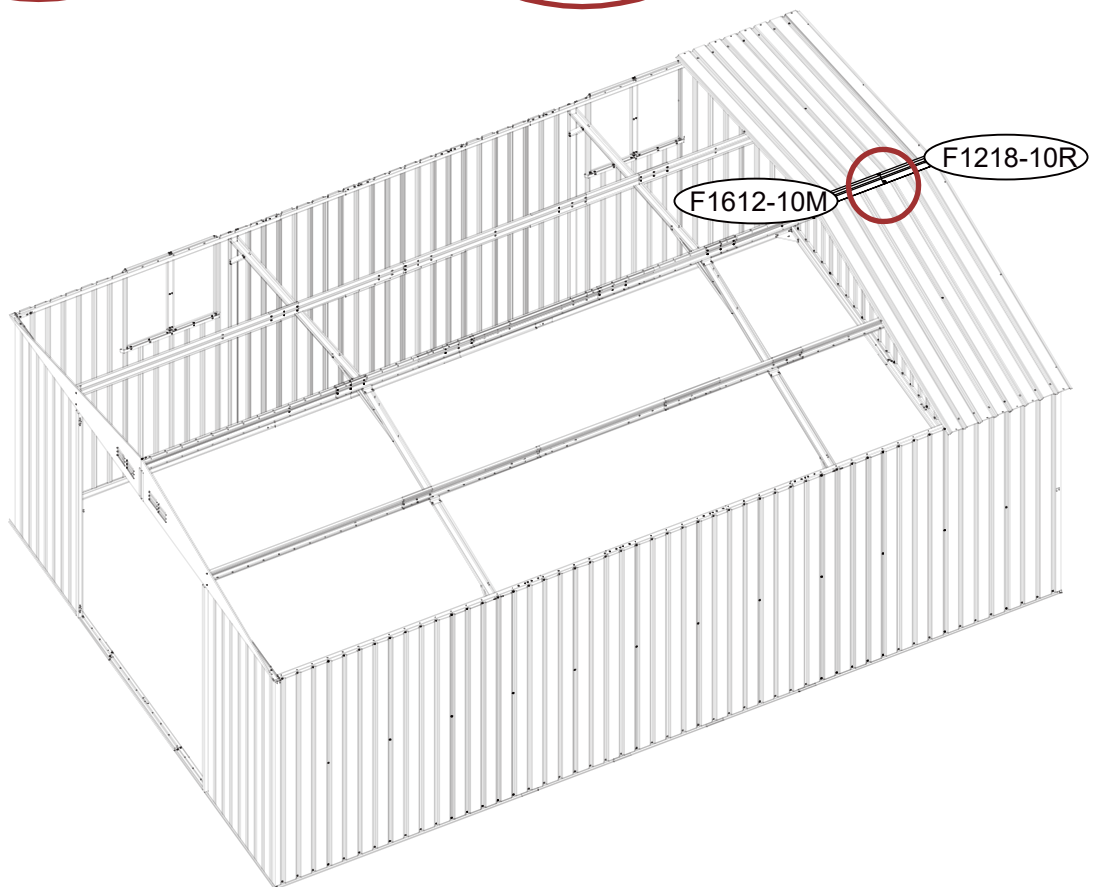
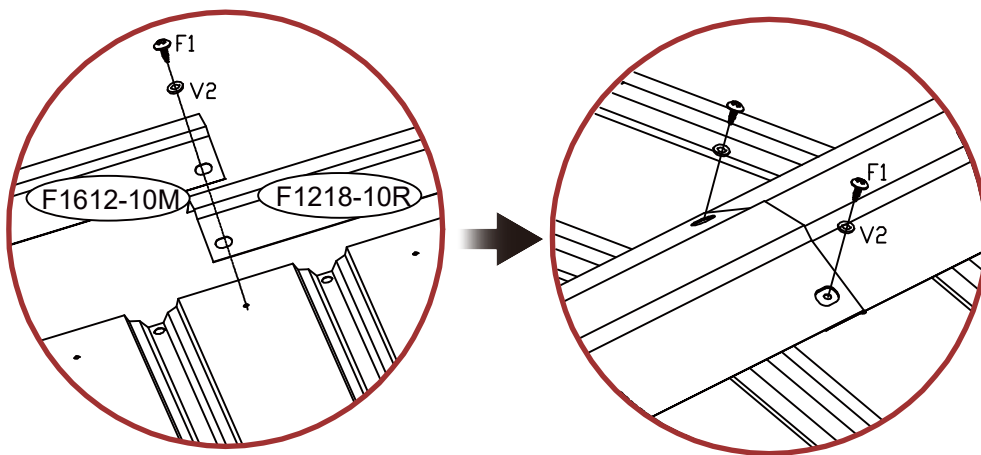
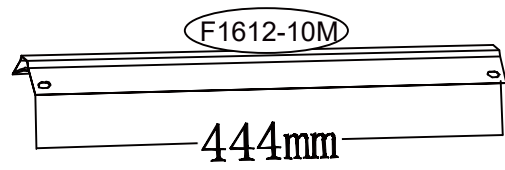
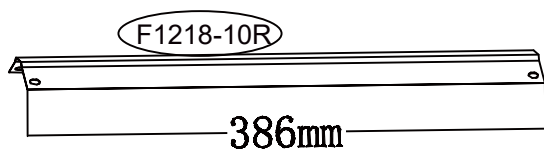
Pay attention to the installation dimensions of the top cover plate.



Attention: There are small holes on the outside for assembly with K1012-8.

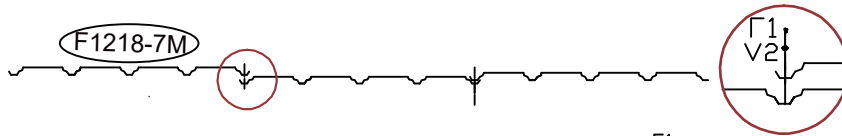
	F1	15
	V2	15

STEP 44

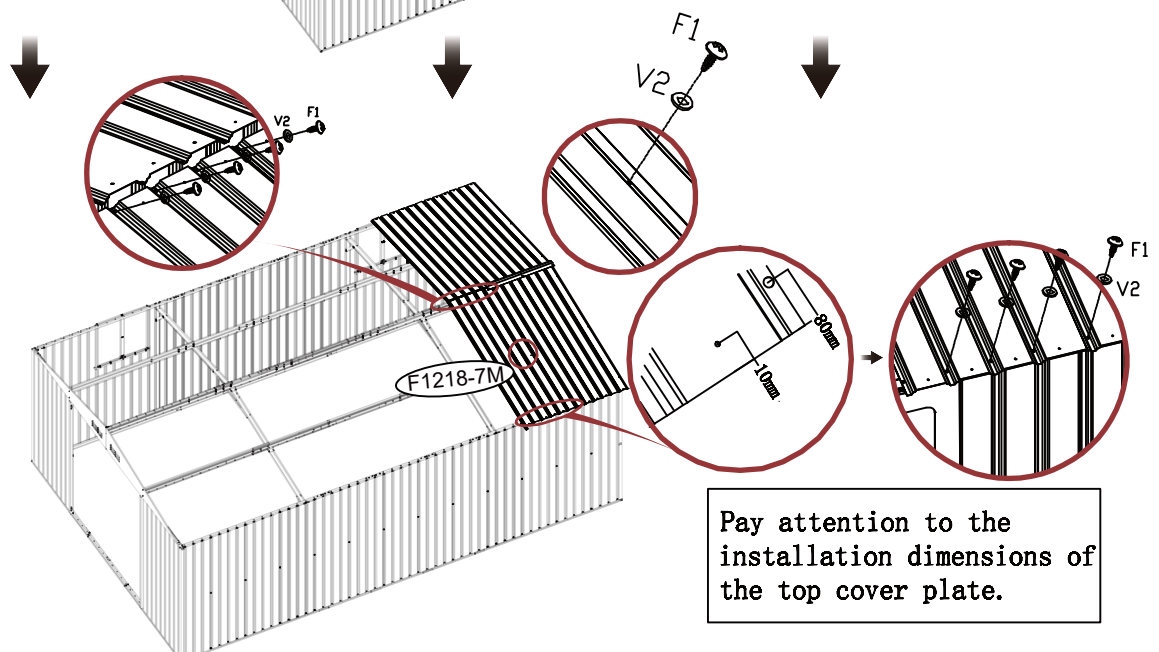
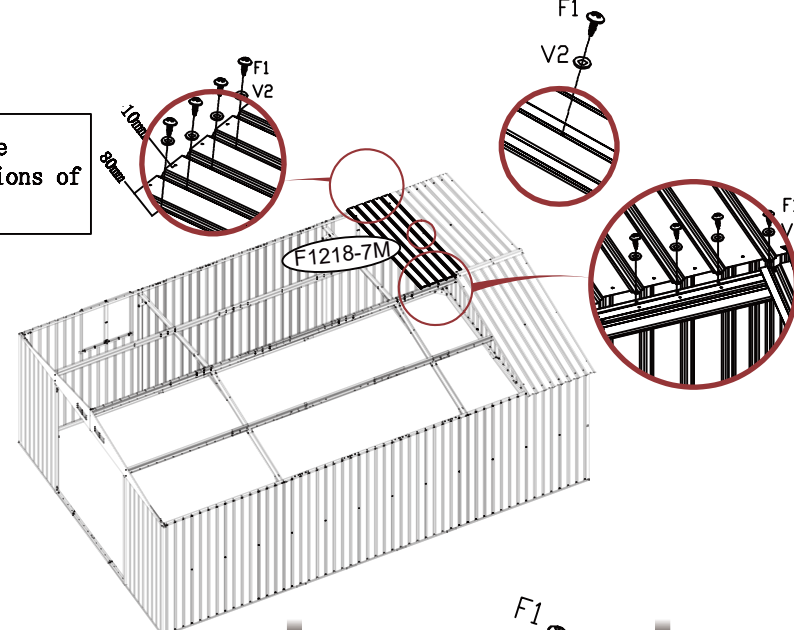


	F1	2
	V2	2

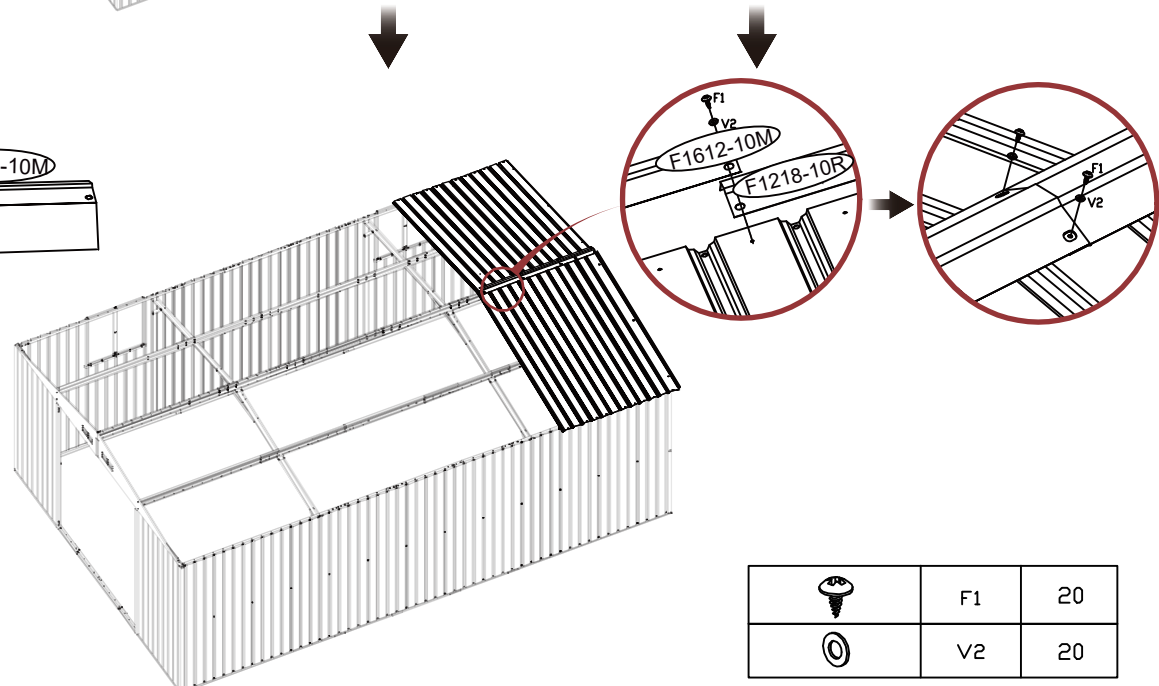
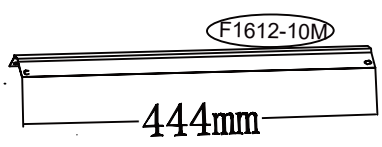
STEP 45



Pay attention to the installation dimensions of the top cover plate.



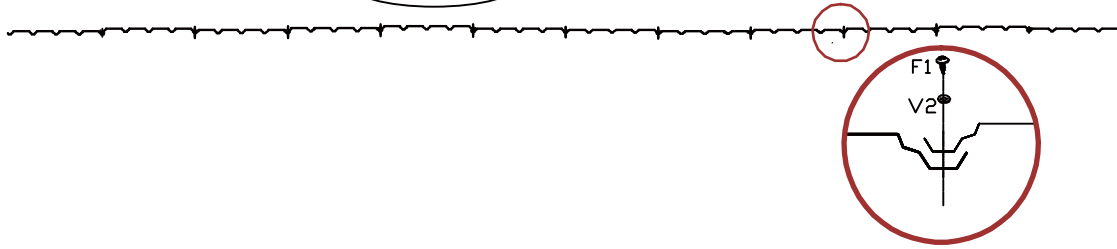
Pay attention to the installation dimensions of the top cover plate.



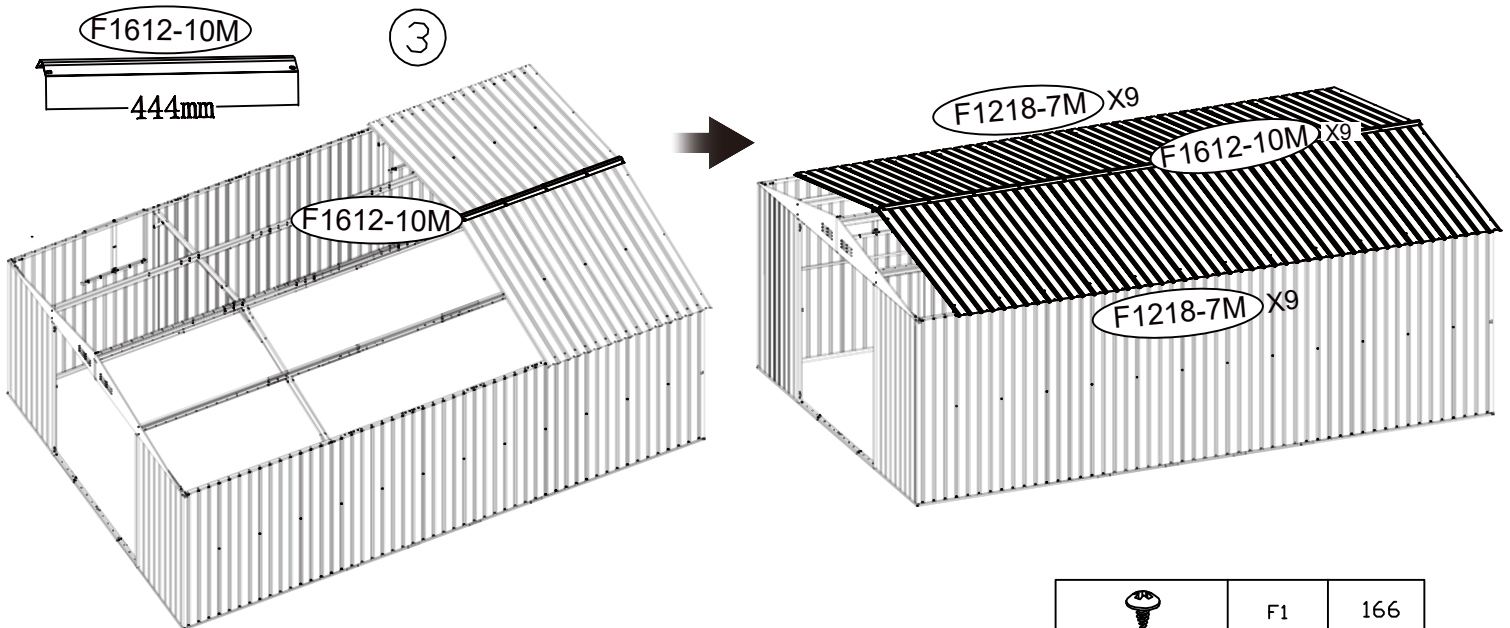
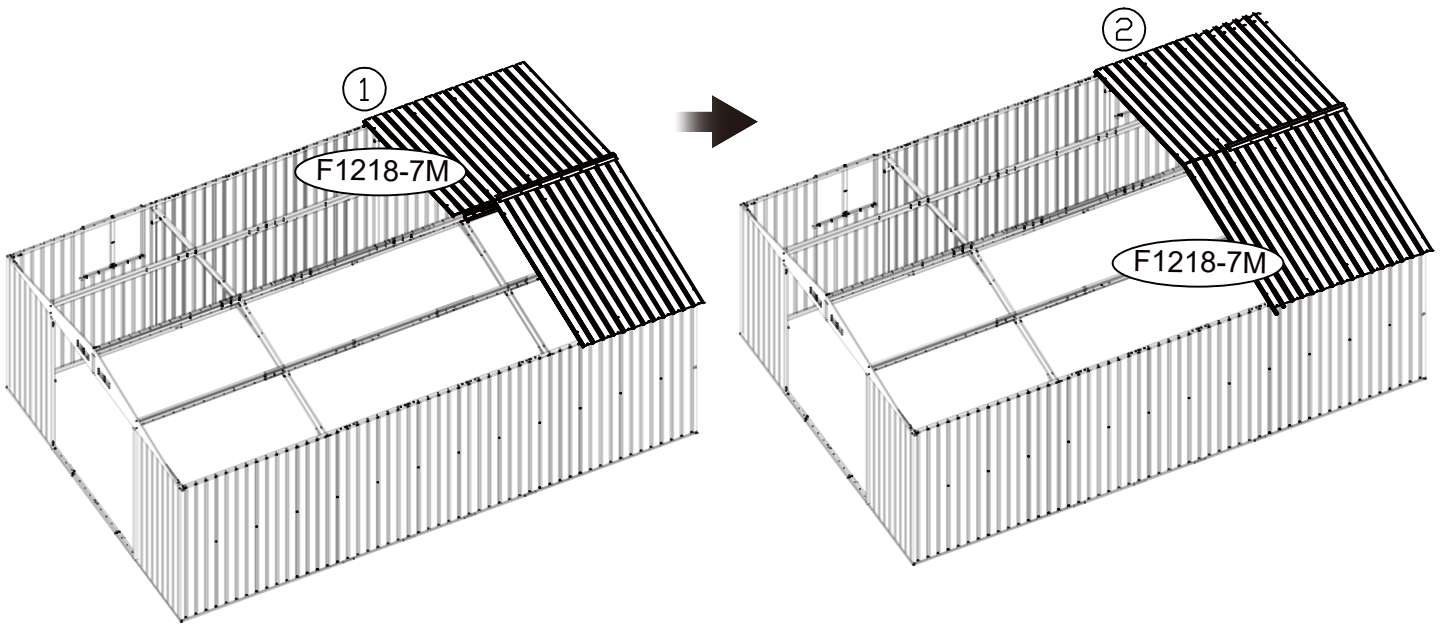
	F1	20
	V2	20

STEP 46

F1218-7M X9



Note: Installation sequence ① → ② → ③. Repeat the process until installation is complete.



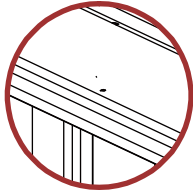
	F1	166
	V2	166

STEP 47

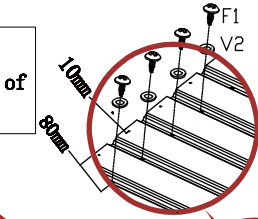
F1218-7R

This is the installation of flat edges and K1012-8, Otherwise, there will be interference phenomena.

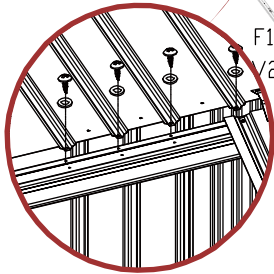
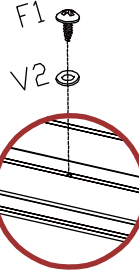
Pay attention to the installation dimensions of the top cover plate.



Attention: There are small holes on the outside for assembly with K1012-8.

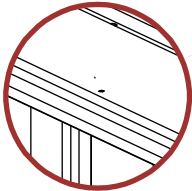
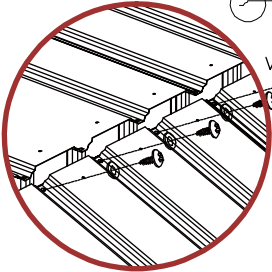


F1218-7R



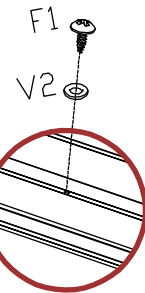
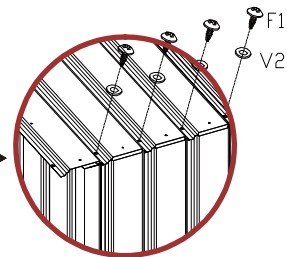
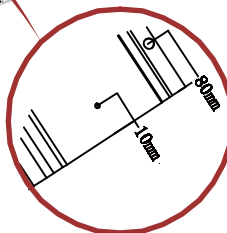
This is the installation of flat edges and K1012-8, Otherwise, there will be interference phenomena.

F1218-7L





Attention: There are small holes on the outside for assembly with K1012-8.

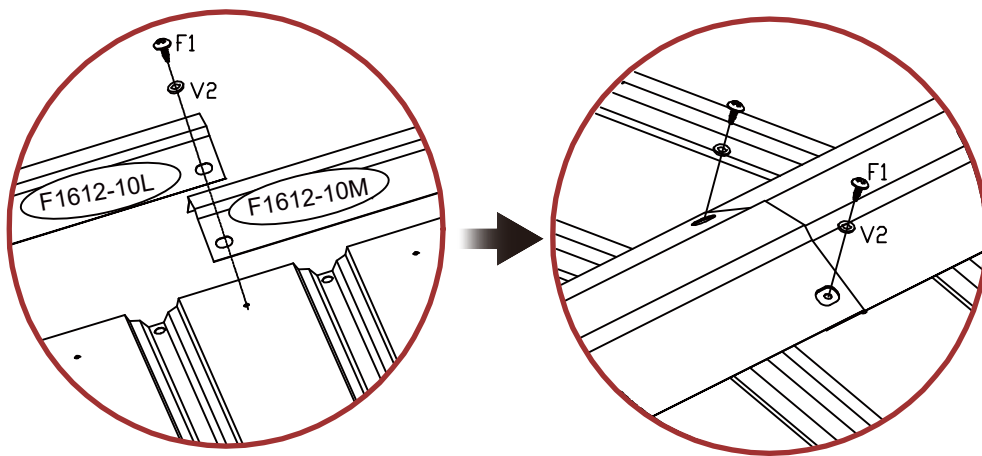
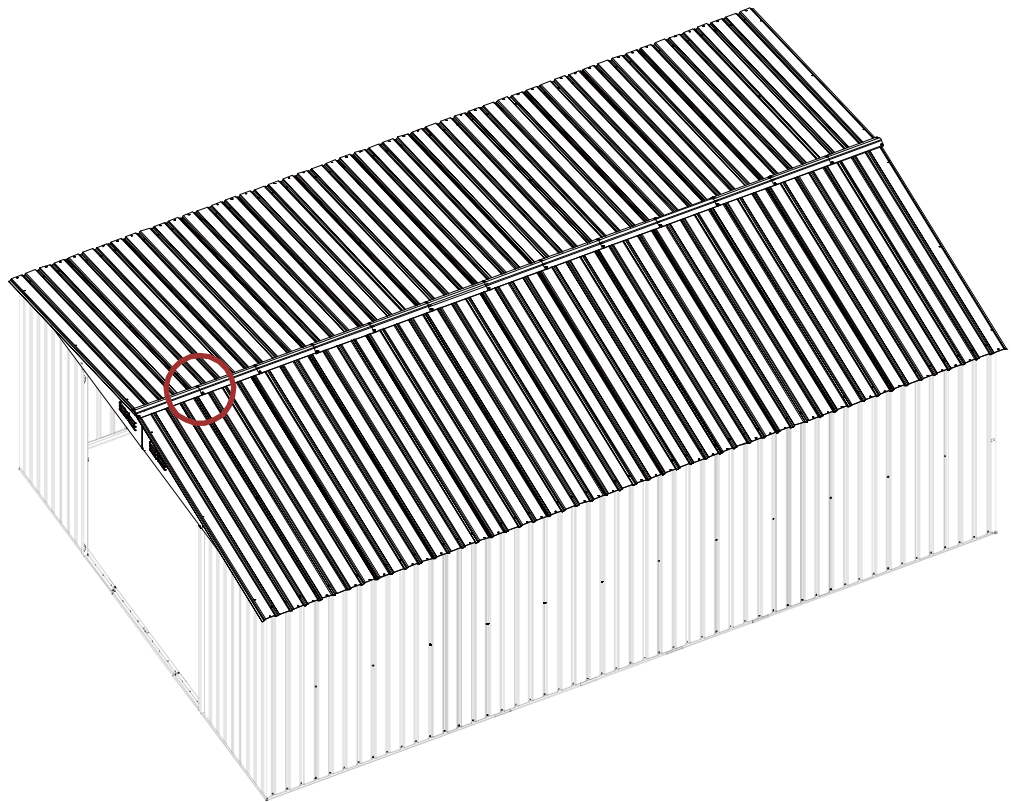
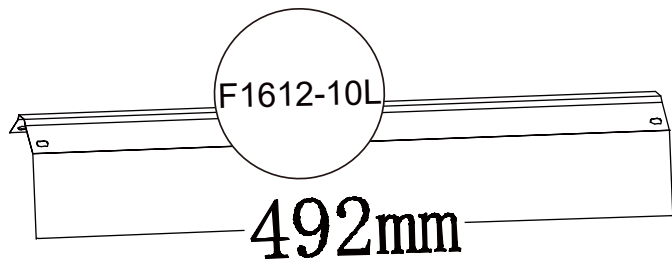
Pay attention to the installation dimensions of the top cover plate.



F1218-7L

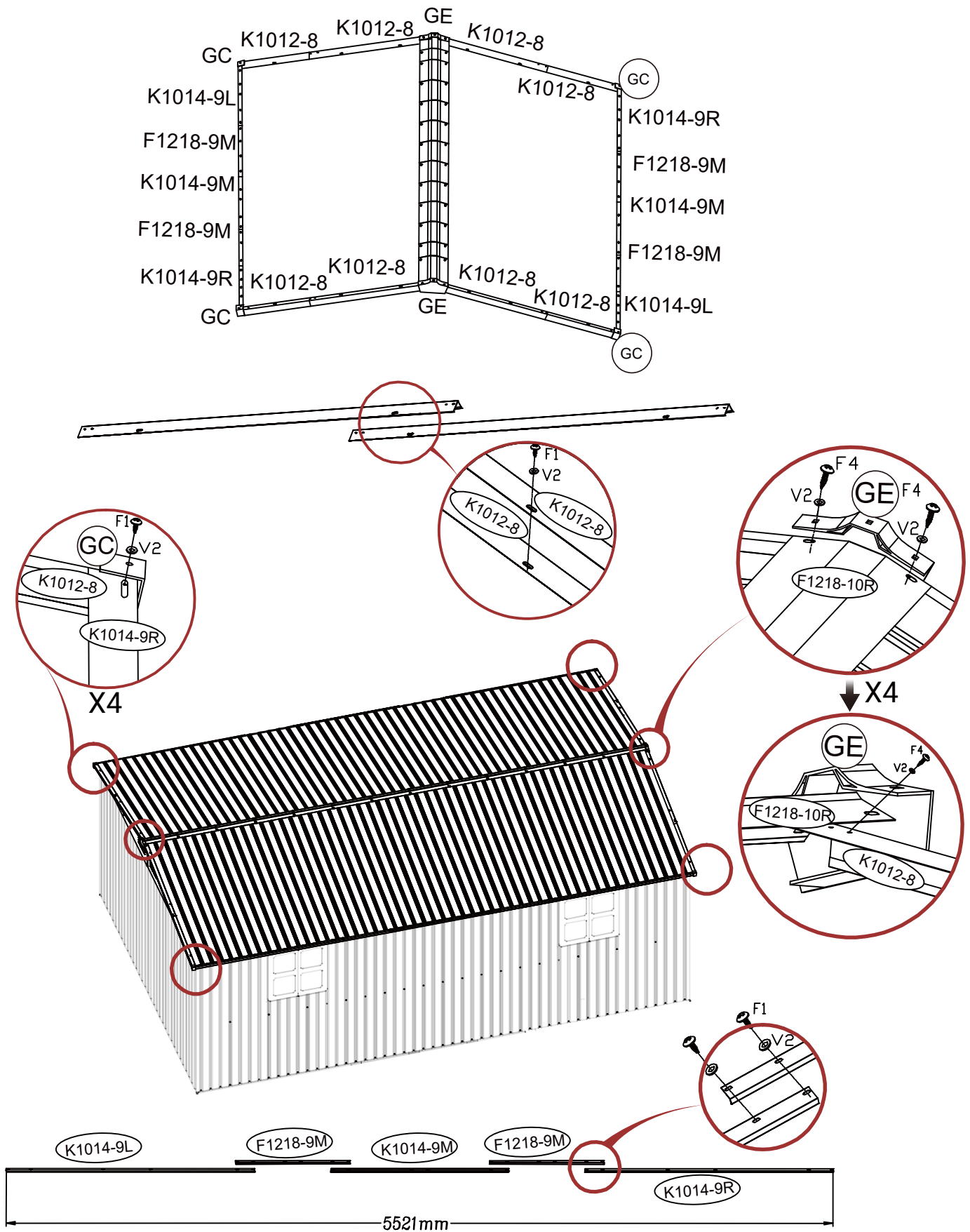
	F1	18
	V2	18




STEP 48



	F1	2
	V2	2

STEP 49



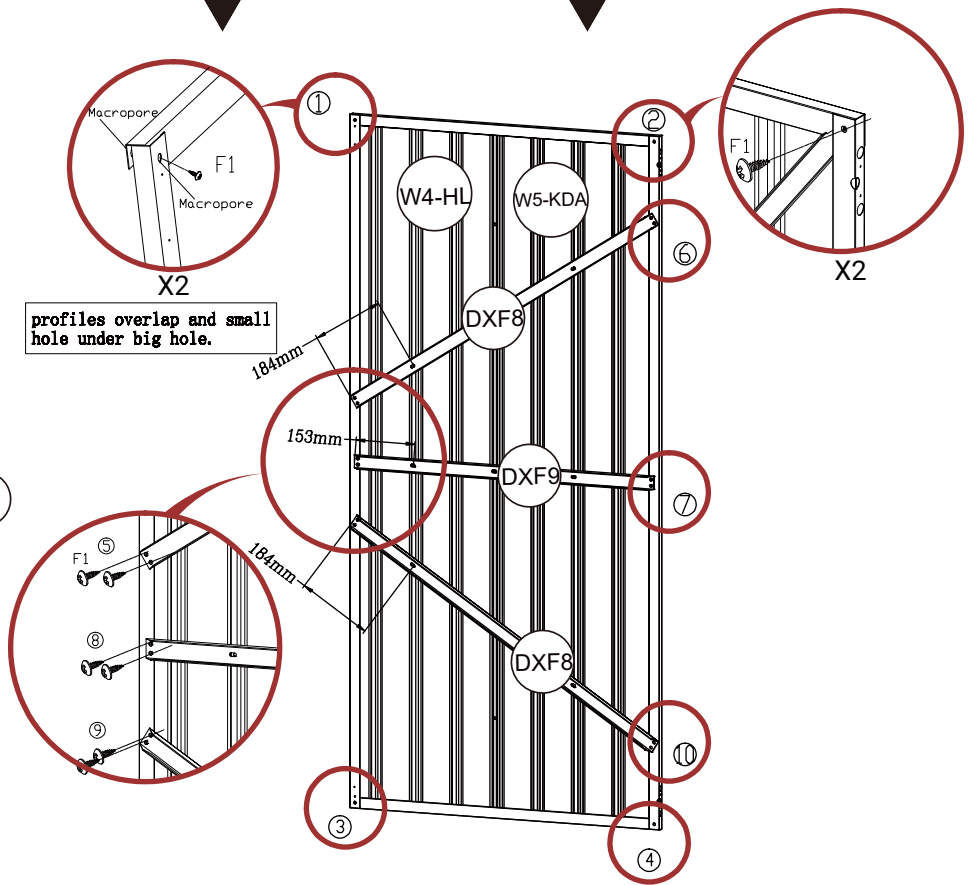
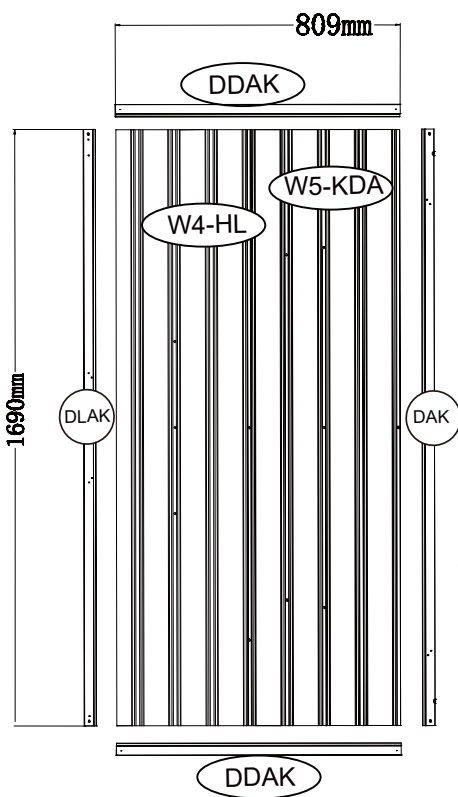
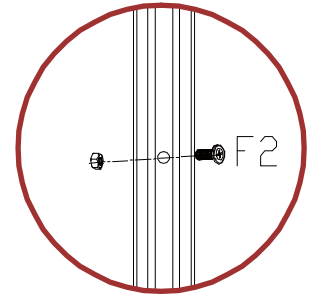
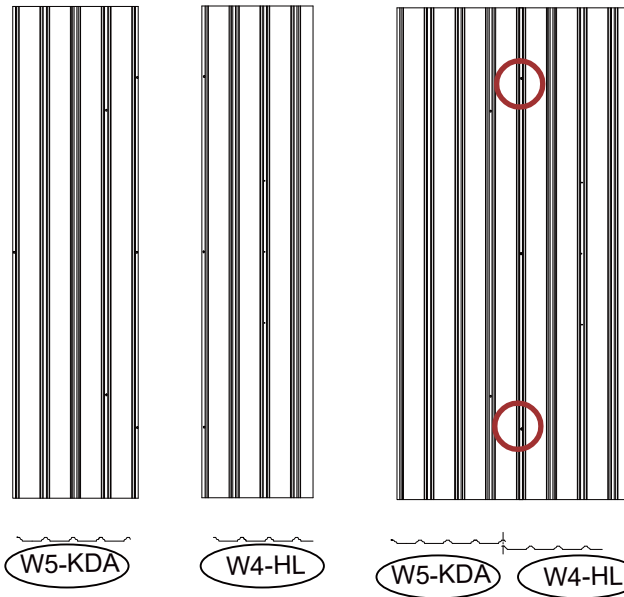
	F4	4
	F1	56
	V2	60

STEP 50

Back

Left door panel splicing

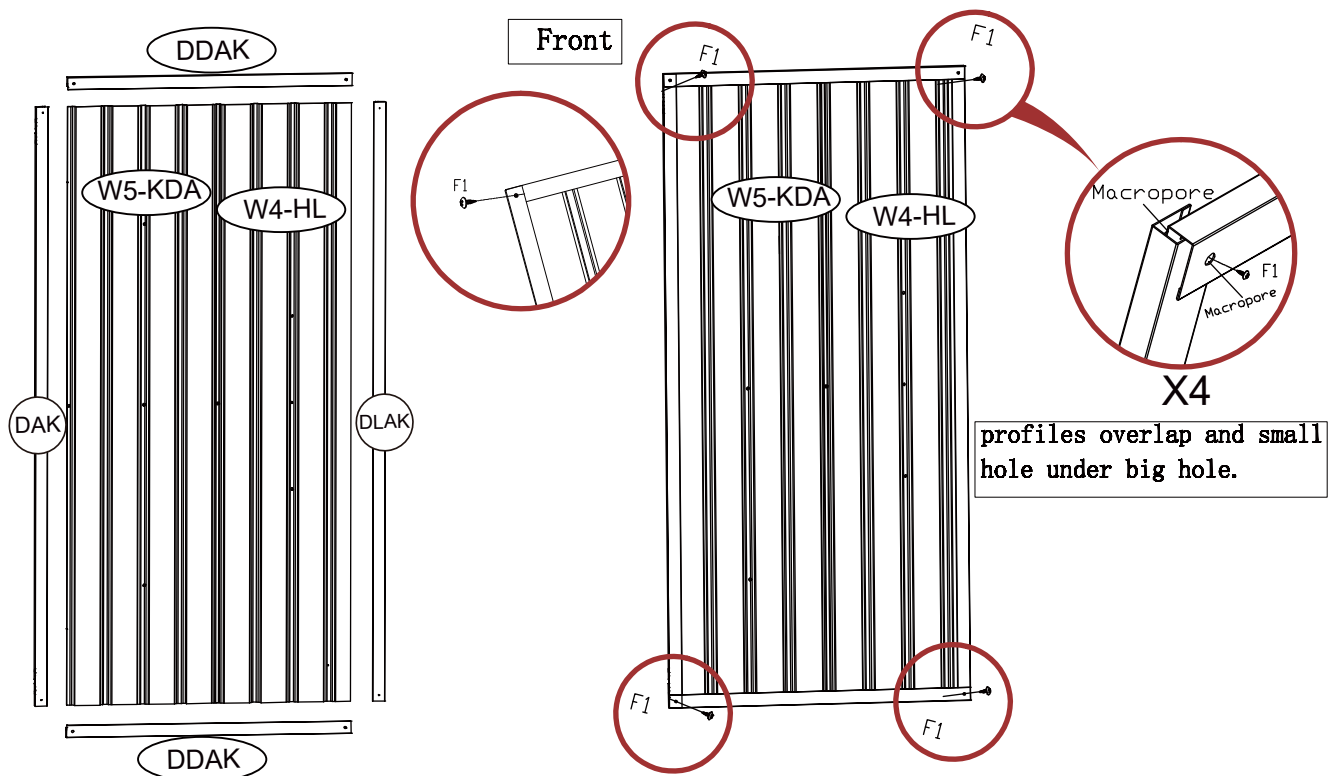
DL



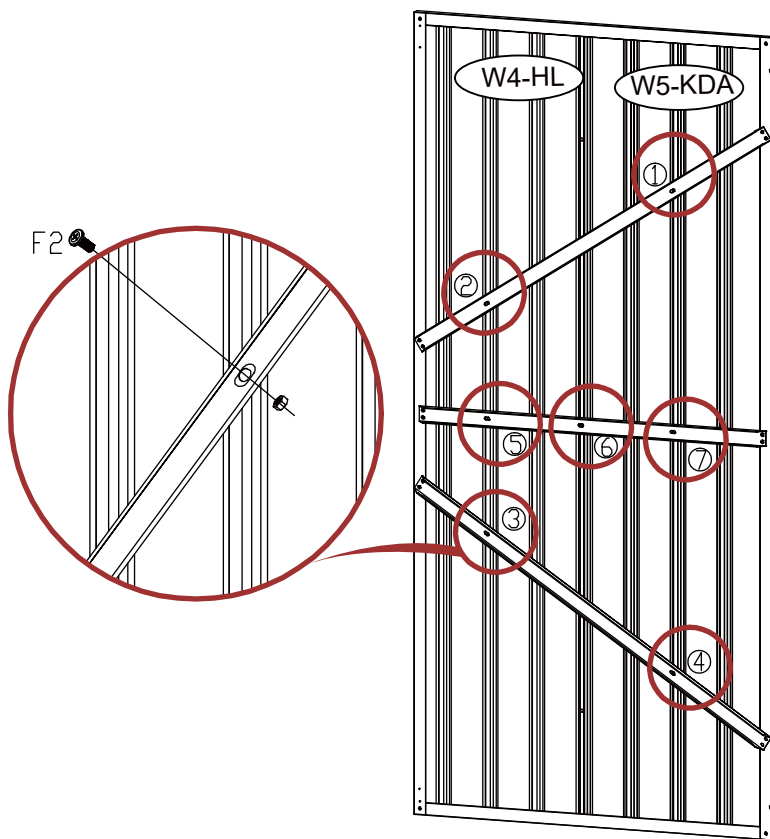
Attention: Installation sequence of screws ① → ② → ③ → ④ → ⑤ → ⑥ → ⑦ → ⑧ → ⑨ → ⑩

	F1	16
	F2	2

STEP 51



Back

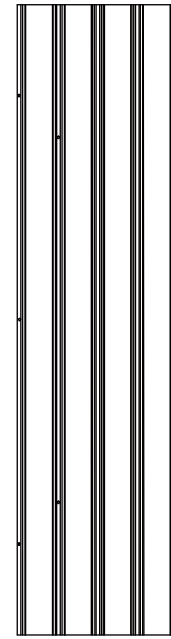
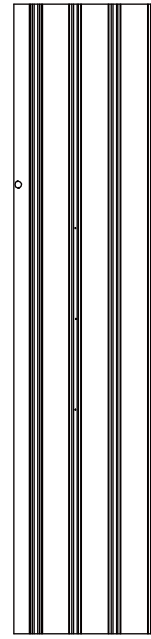
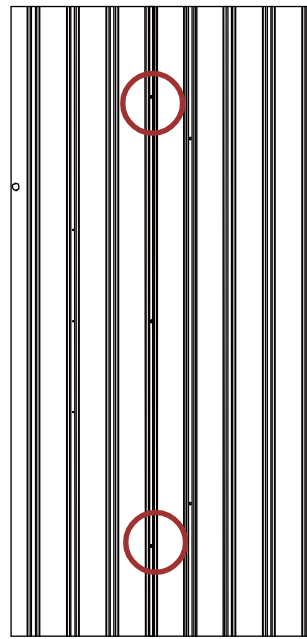
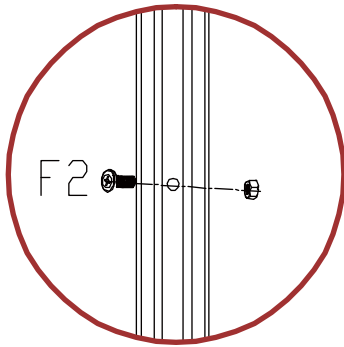


Attention: Installation sequence of screws ① → ② → ③ → ④ → ⑤ → ⑥ → ⑦

	F1	4
	F2	7

STEP 52

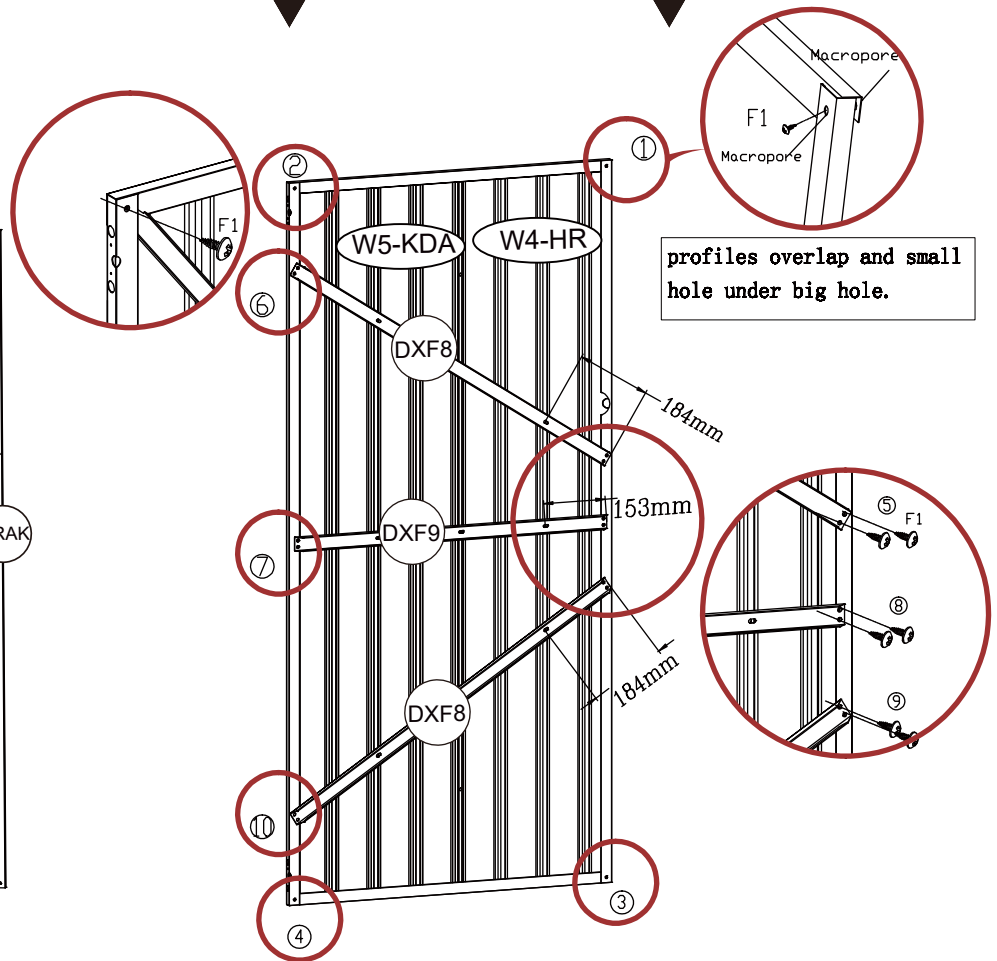
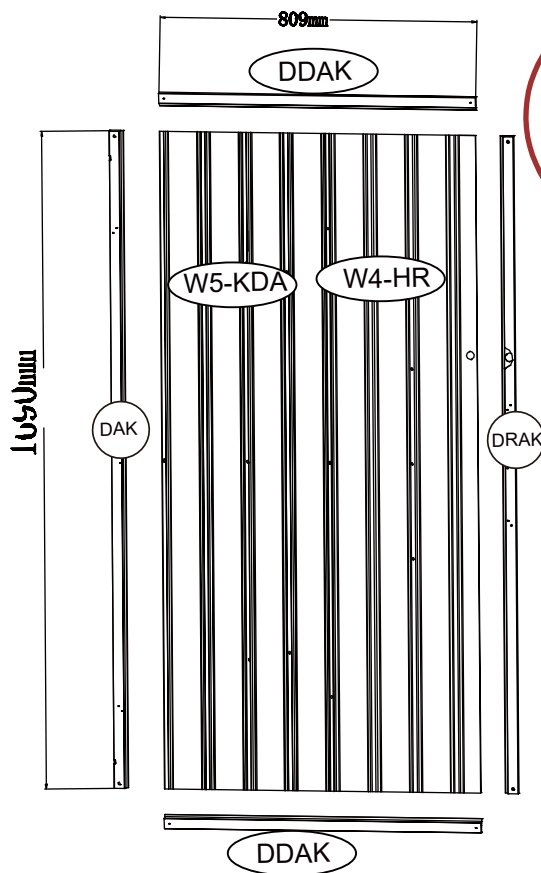
DR right door panel splicing



W4-HR W5-KDA

W4-HR

W5-KDA



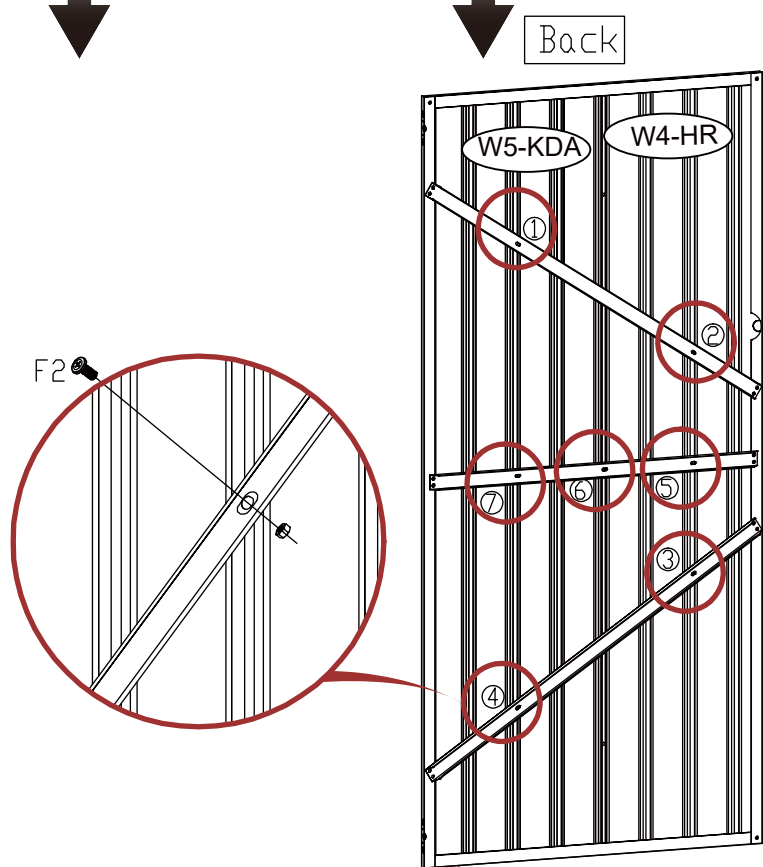
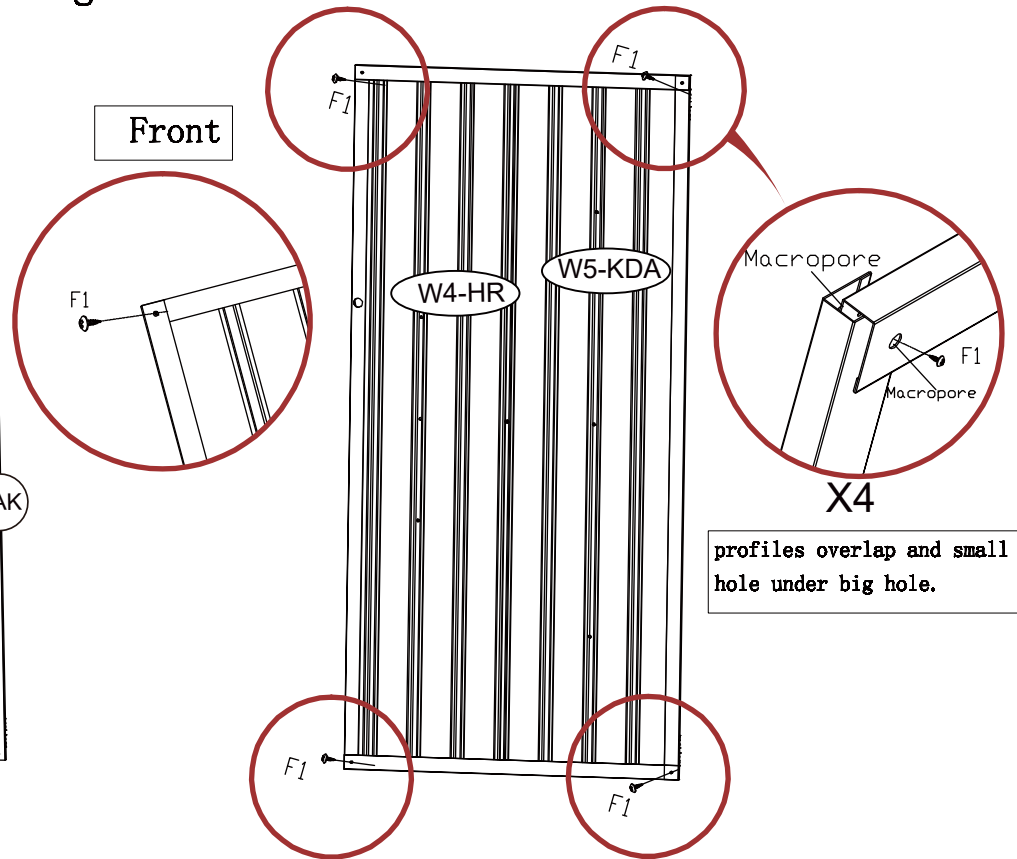
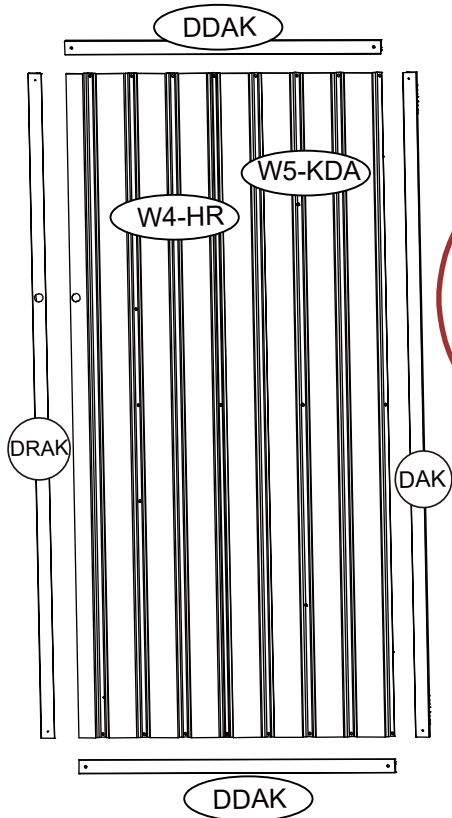
Attention: Installation sequence of screws

- ① → ② → ③ → ④ → ⑤ → ⑥ → ⑦ → ⑧ → ⑨ → ⑩

	F1	16
	F2	2

STEP 53

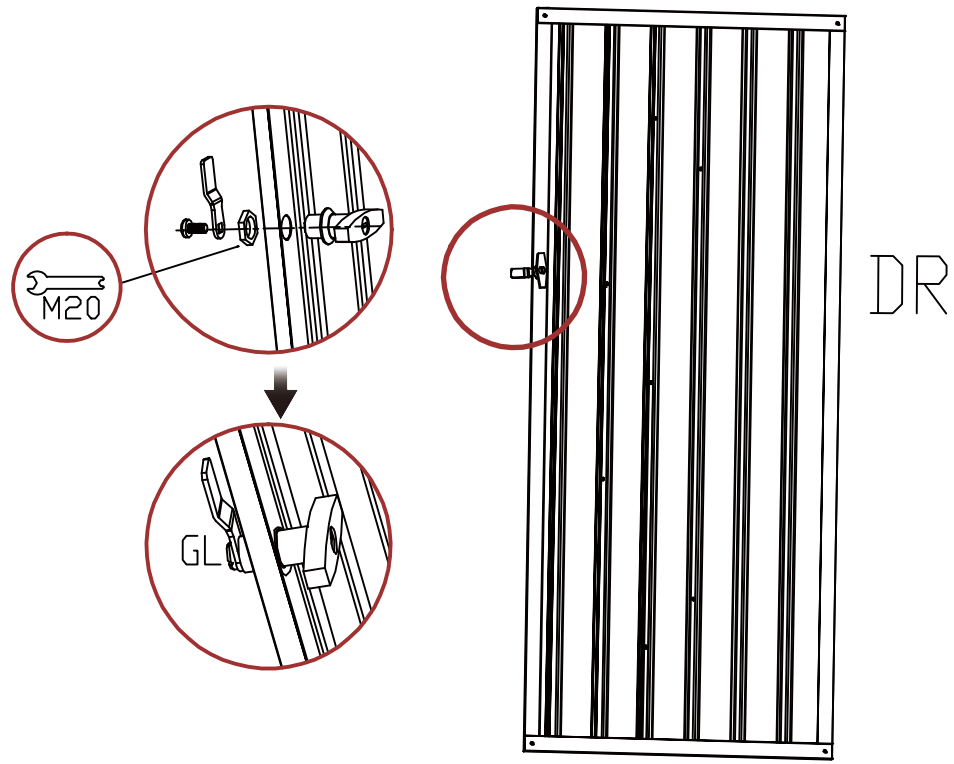
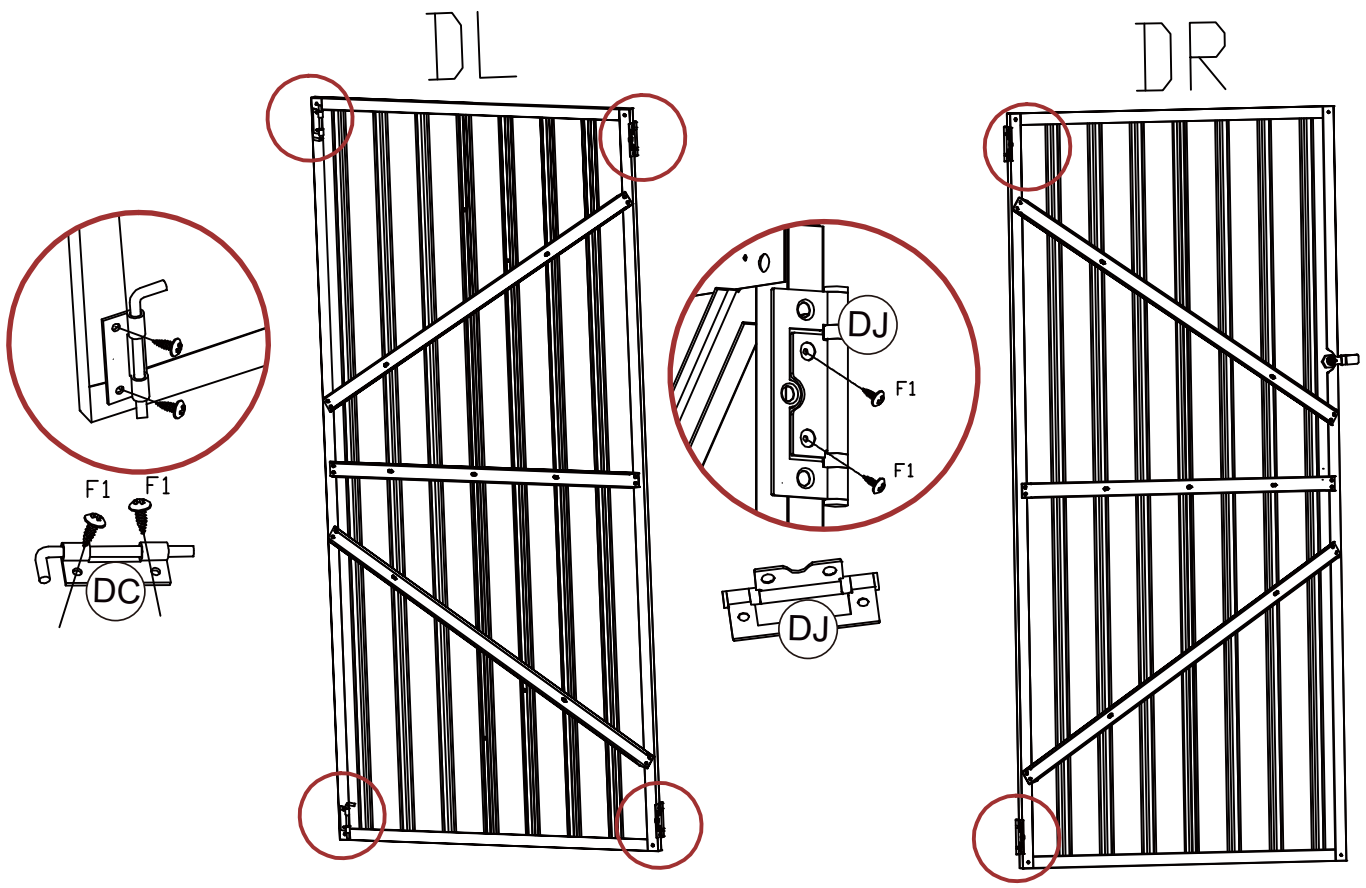
right door panel splicing




Attention: Installation sequence of screws
 ① → ② → ③ → ④ → ⑤ → ⑥ → ⑦

	F1	4
	F2	7

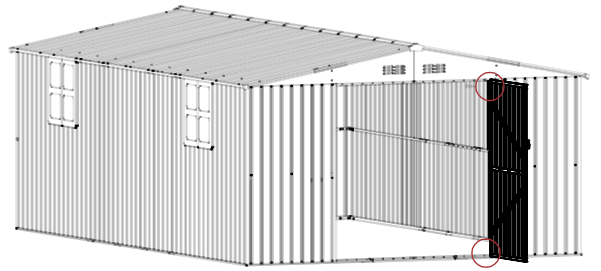
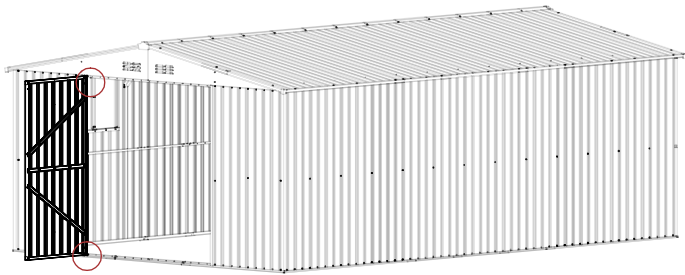
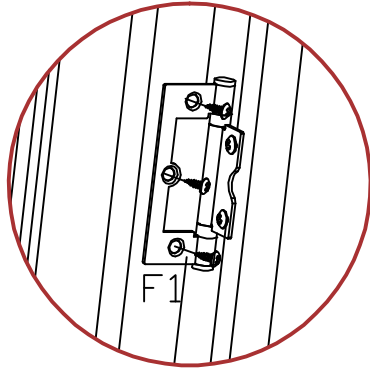
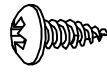
STEP 54



	F1	12
---	----	----

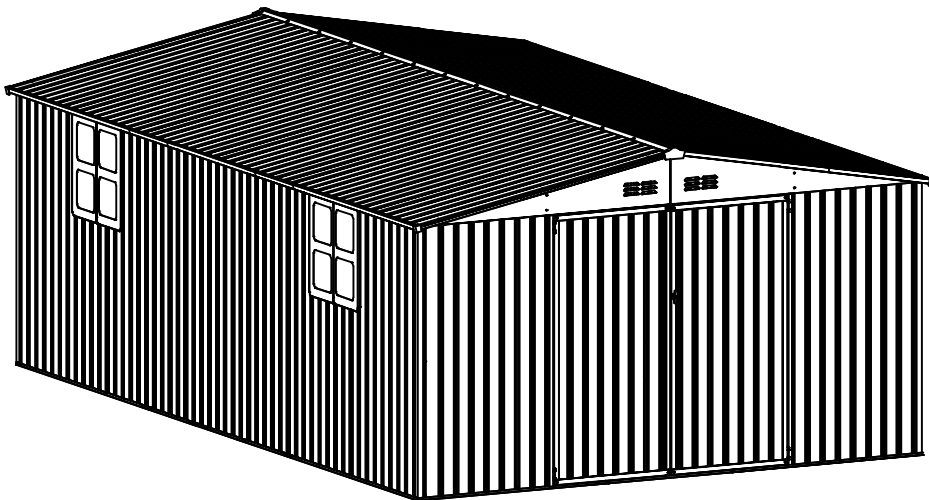
STEP 55

F1



DL

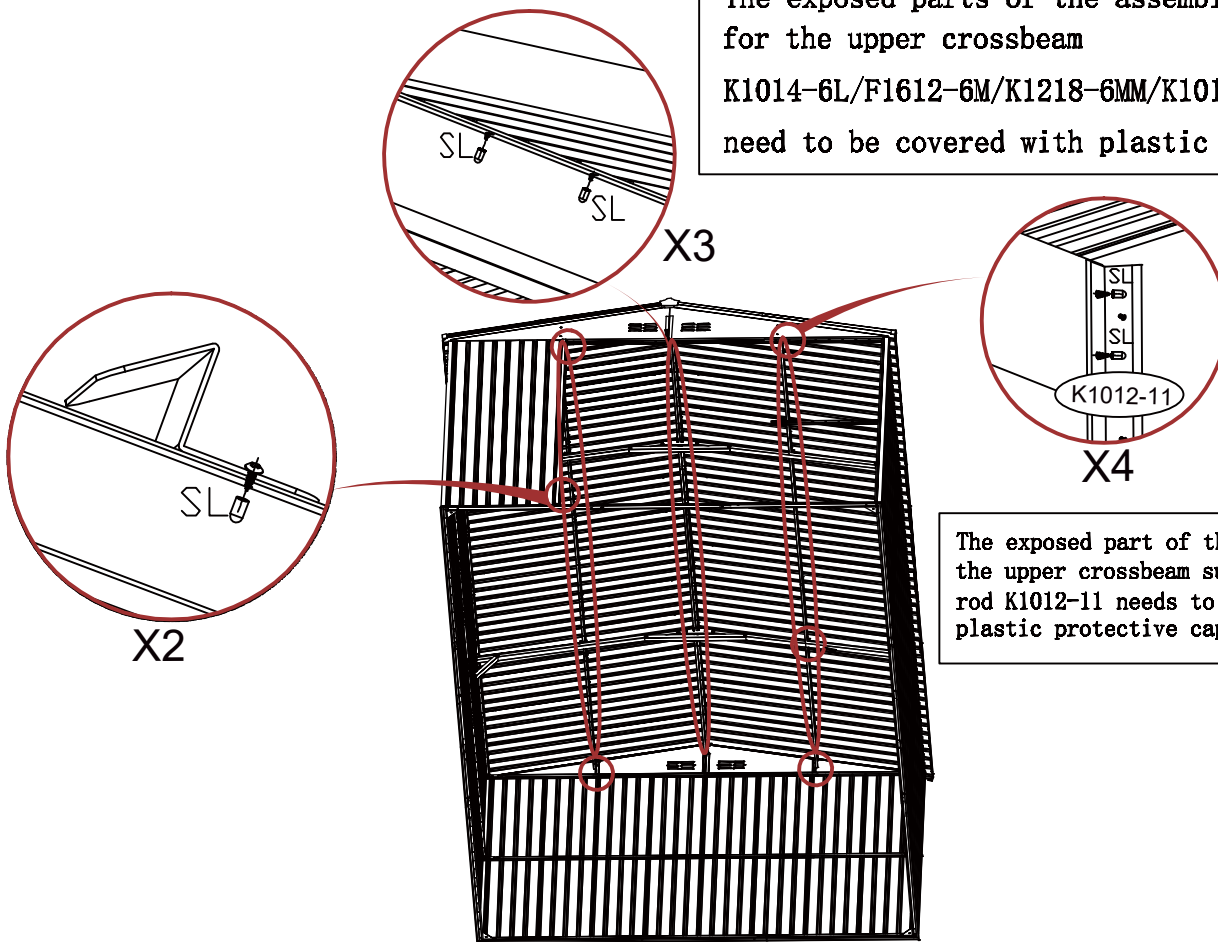
DR



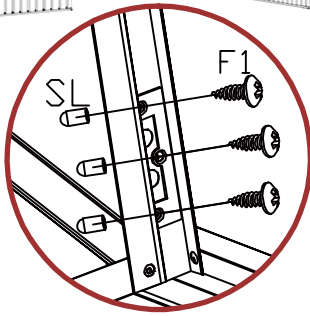
	F1	12
---	----	----

STEP 56

The exposed parts of the assembly screws for the upper crossbeam
K1014-6L/F1612-6M/K1218-6MM/K1014-6R
need to be covered with plastic protective caps.



The exposed part of the assembly screw of the upper crossbeam support rod K1012-11 needs to be covered with a plastic protective cap.



The exposed part of DJ assembly screws needs to be covered with a plastic protective cap.