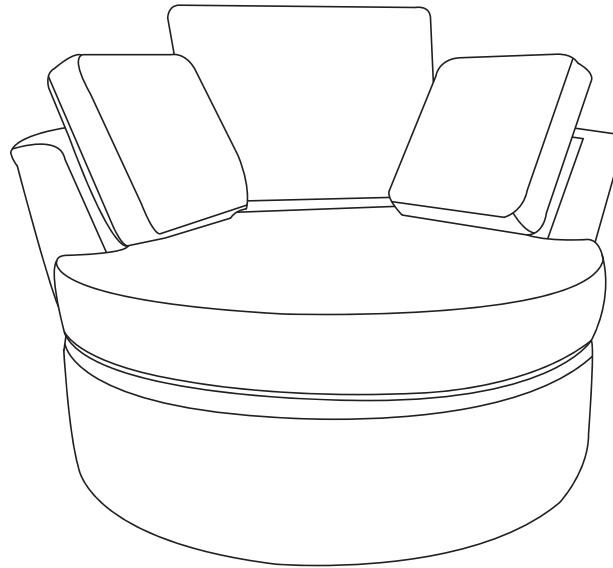


# Assembly Manual

## SOFA

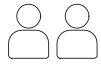


Please read this manual carefully before any operation and keep it properly for future use.

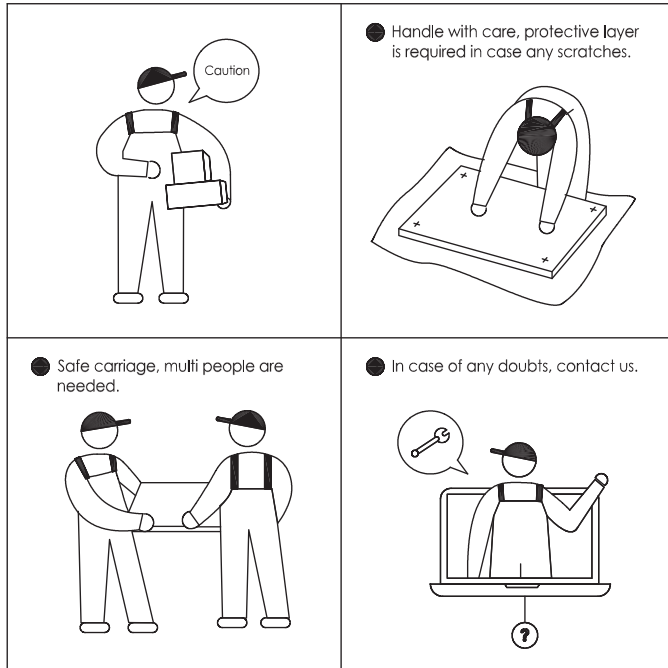
## Assembly note:

15 min

Assembly Time

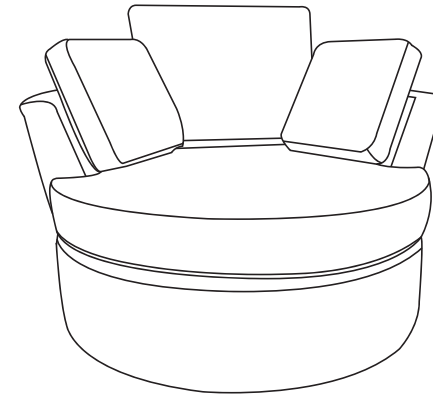


Two People



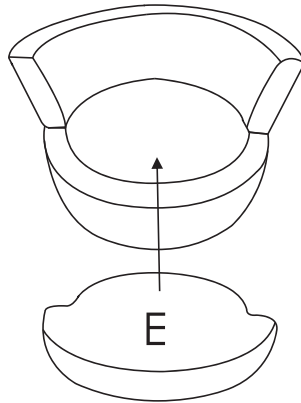
## Assembly Instruction

STEP 7 Assembly is complete

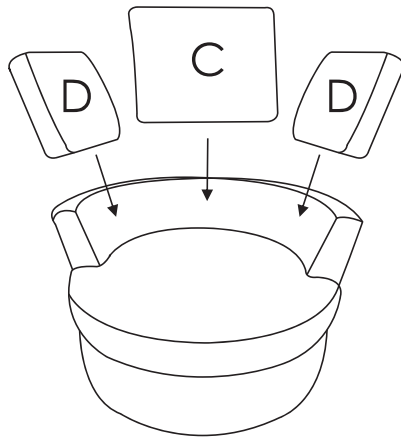


## Assembly Instruction

**STEP 5** Place the seat cushion(E) onto the base.



**STEP 6** Place the lumbar pillow(C) and side pillows(D) onto the seat cushion as shown below.



## Components List

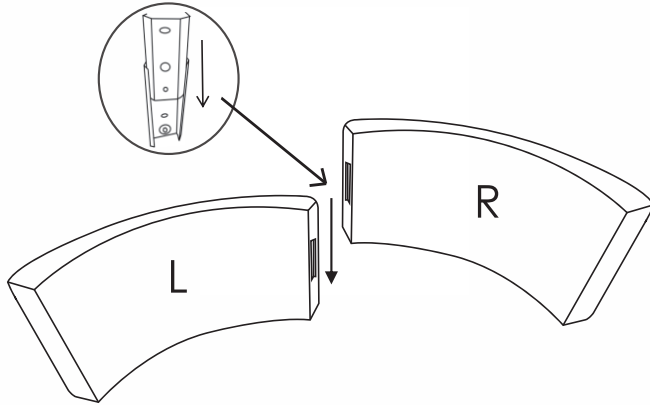
NO.	PARTS	QTY	NO.	PARTS	QTY
L		1	R		1
A		1	B		1
C		1	D		2
E		1	F		1
G		9	H	 M6*40mm	4+1
J	 M6*70mm	4+1	L		1

**Note:** The number after "+" sign indicates the extra piece(s).

## Assembly Instruction

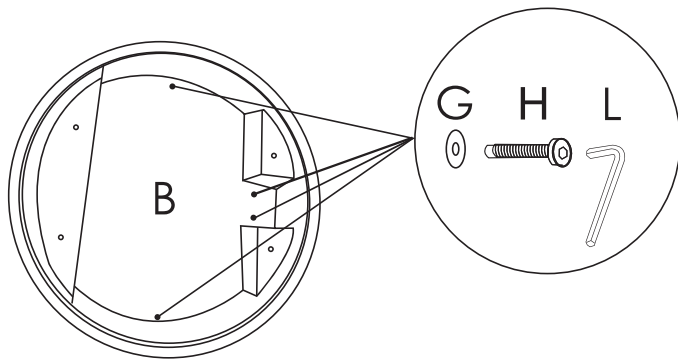
### STEP 1

Insert right backrest (R) to left backrest (L) by sliding the male metal connector into the female connector as shown below. Firmly push the connectors together until they lock into place.



### STEP 2

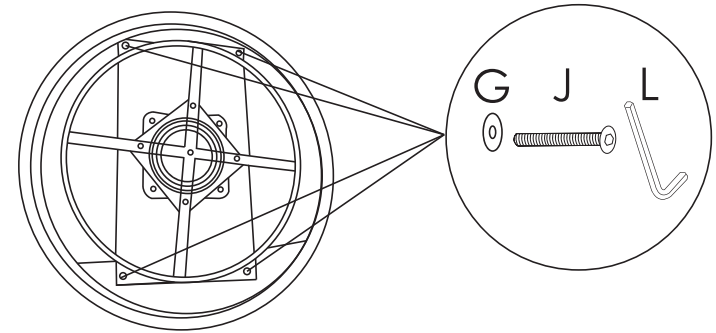
Flip the base, place the washer (G) on the screw (H), align it with the backrest hole through the base hole, and finally tighten it clockwise with a wrench (L).



## Assembly Instruction

### STEP 3

Screw bolts (J) till the bottom threads full into the holes, leaving the middle section without threads out. Insert the washer (G) onto the screw (J), align it with the base hole through the turntable hole, and then tighten it clockwise with a wrench (L).



### STEP 4

Put the cloth cover (A) on the sofa and zip up the back and front.

