

ASSEMBLY INSTRUCTION

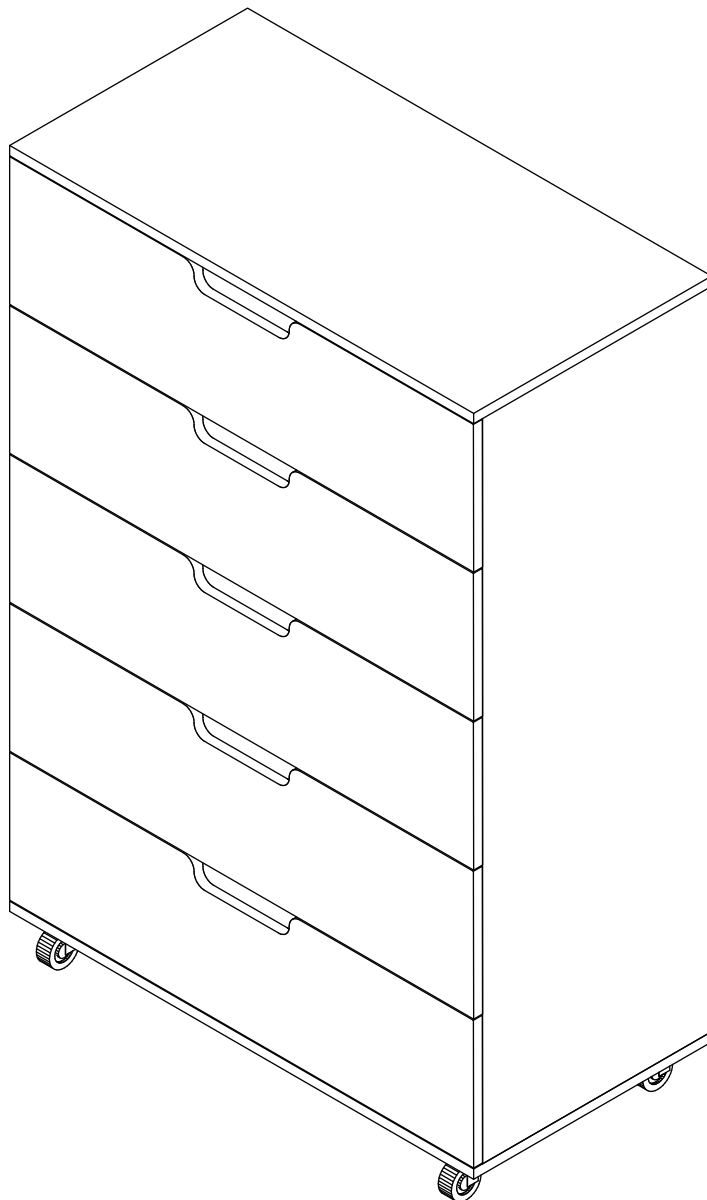
PLEASE READ BEFORE ASSEMBLING

Tip #1:make sure you've taken all the pieces and hardware out of its packaging before discarding the box

Tip #2:Using page 2 and/or page 3 of instruction manual make sure all pieces and hardware are accounted for.

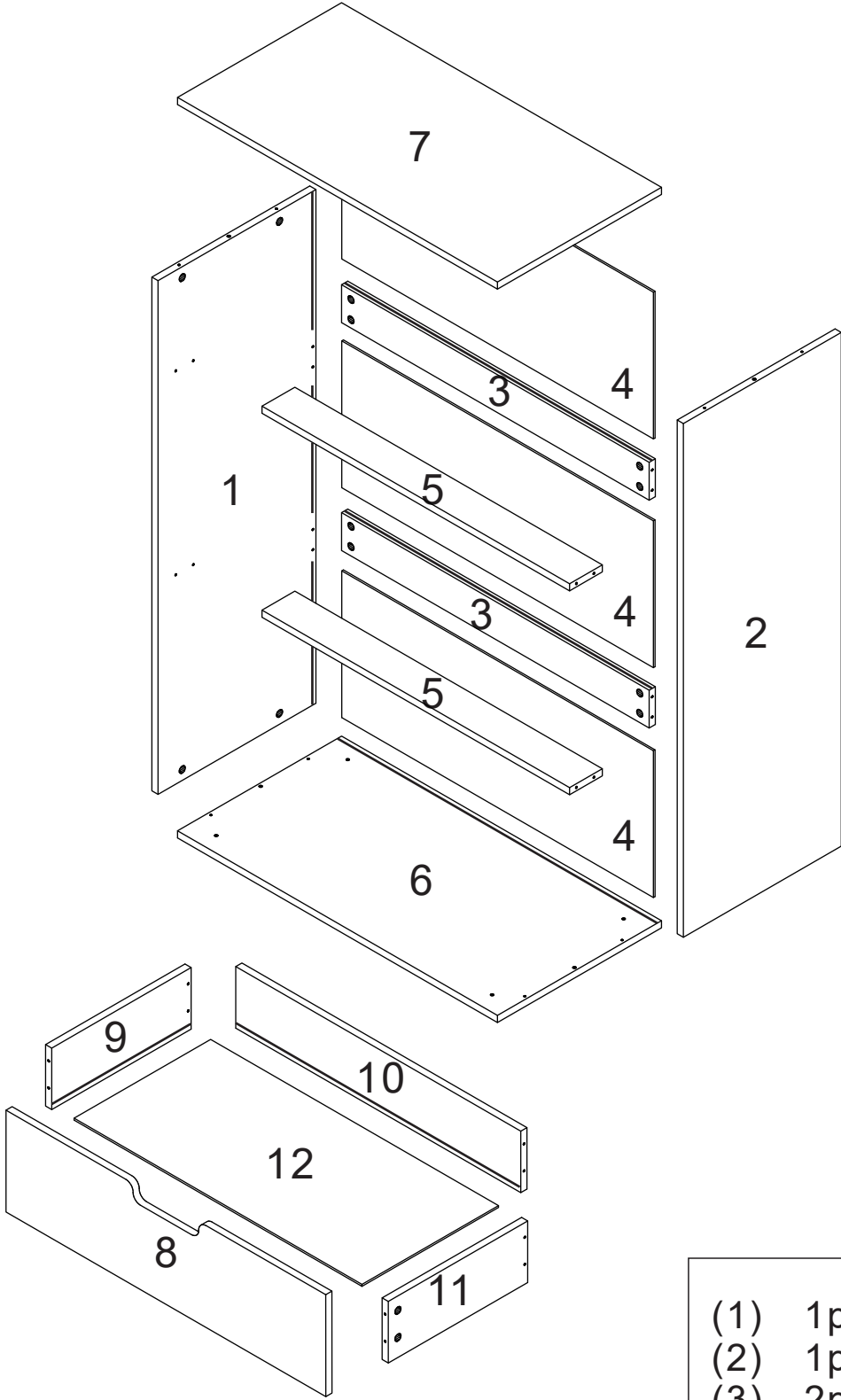
Tip #3:read manual before assembling,it helps

ITEM# K16002 K16004 K16068



PARTS IDENTIFICATION

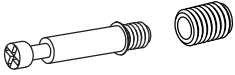




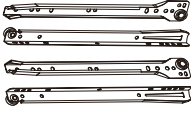
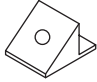
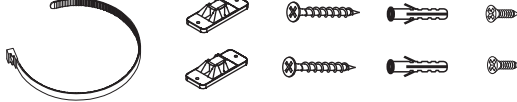



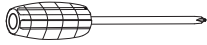
ITEM# K16002 K16004 K16068



(1)	1pc	(7)	1pc
(2)	1pc	(8)	5pcs
(3)	2pcs	(9)	5pcs
(4)	3pcs	(10)	5pcs
(5)	2pcs	(11)	5pcs
(6)	1pc	(12)	5pcs

HARDWARE IDENTIFICATION

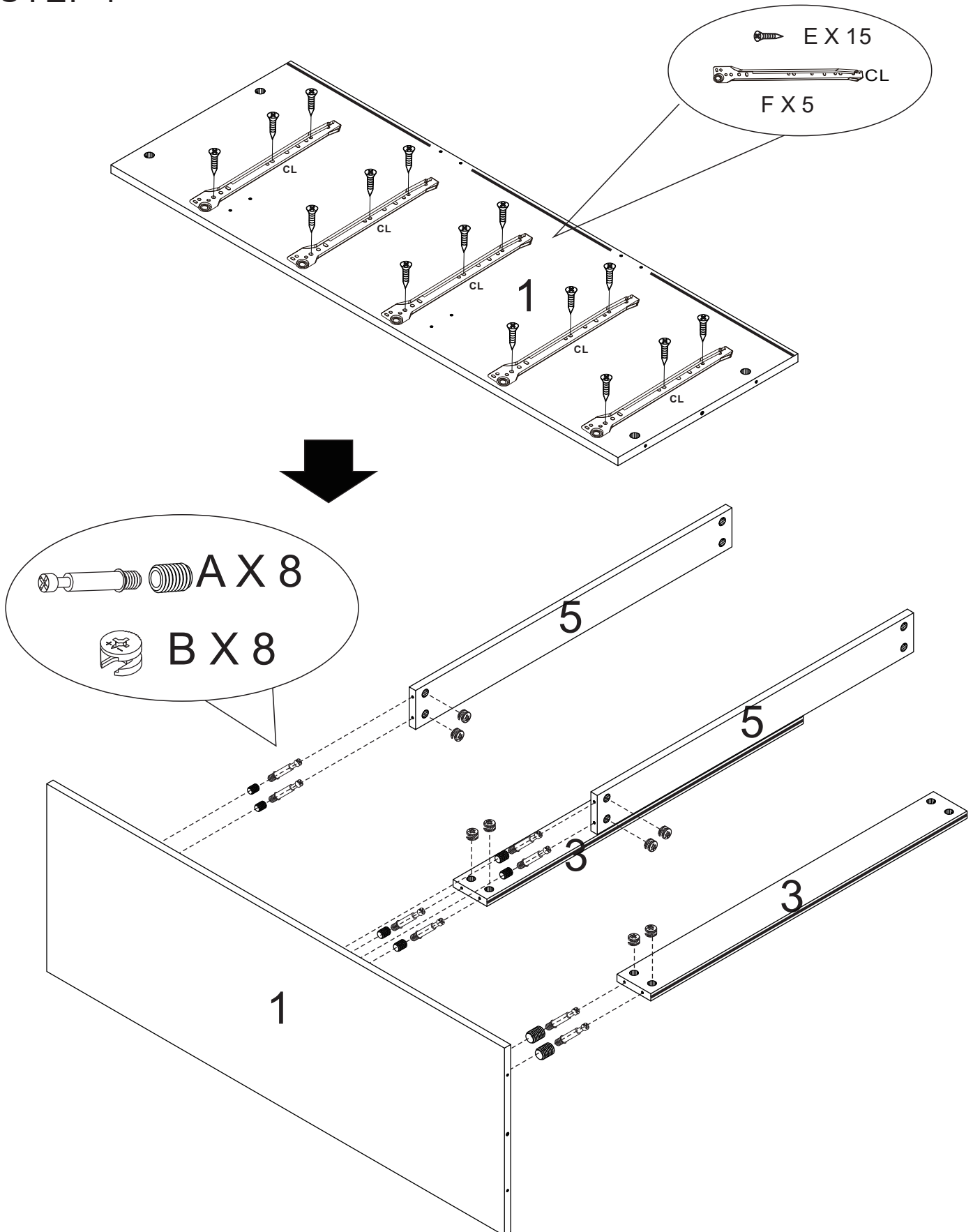
ITEM# K16002 K16004 K16068

A		$\phi 6 \times 40$	44pcs
B		$\phi 12 \times 12$	44pcs
C		$\phi 8 \times 30$	4pcs
D		$\phi 4 \times 35$	20pcs
E		$\phi 4 \times 14$	60pcs
F	 CR DR CL DL		5sets
G			10pcs
H			1set
J		$\phi 4 \times 16$	10pcs
K			2pcs
L			2pcs
M			1pc

ASSEMBLY INSTRUCTION

ITEM# K16002 K16004 K16068

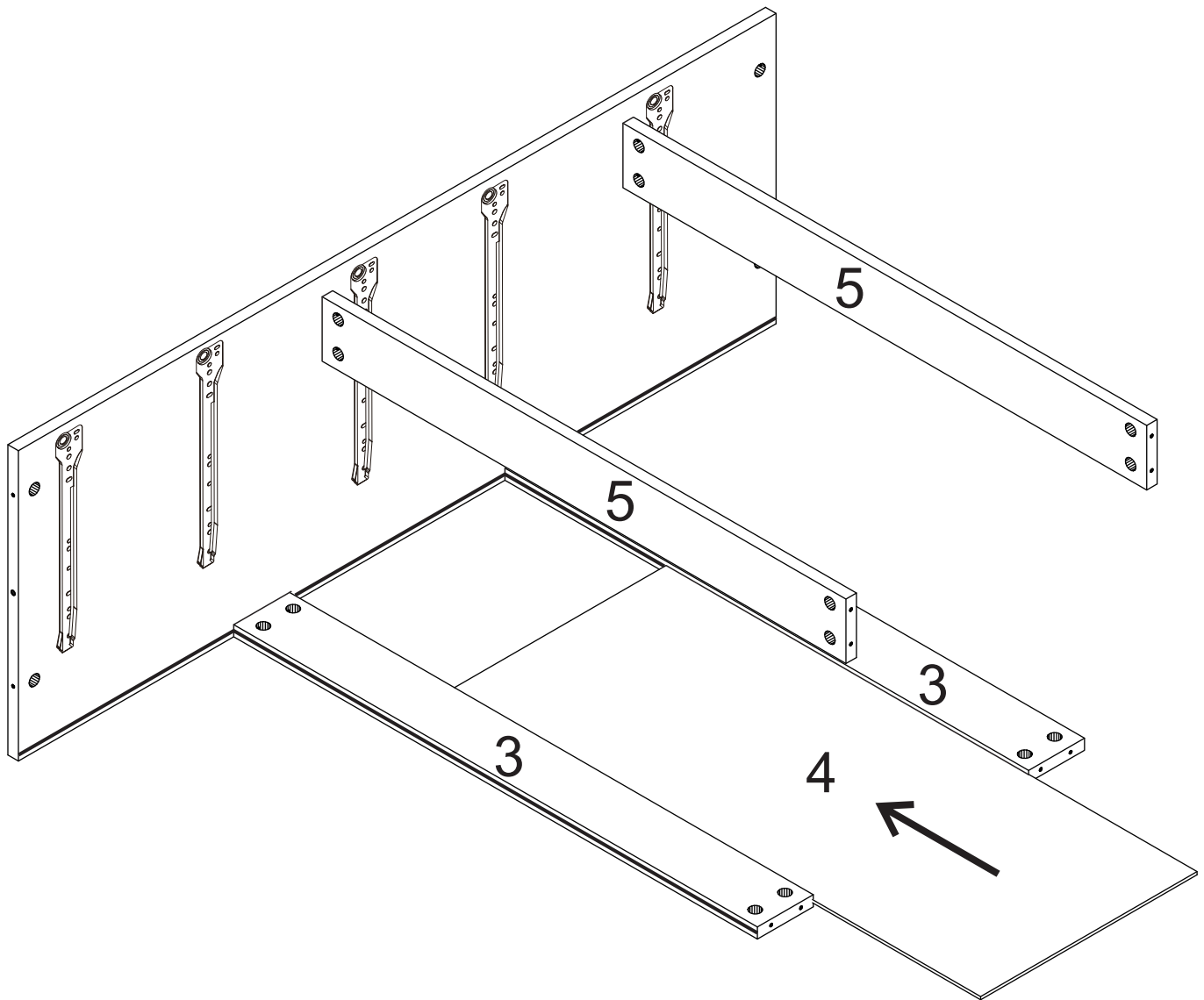
STEP 1



ASSEMBLY INSTRUCTION

ITEM# K16002 K16004 K16068

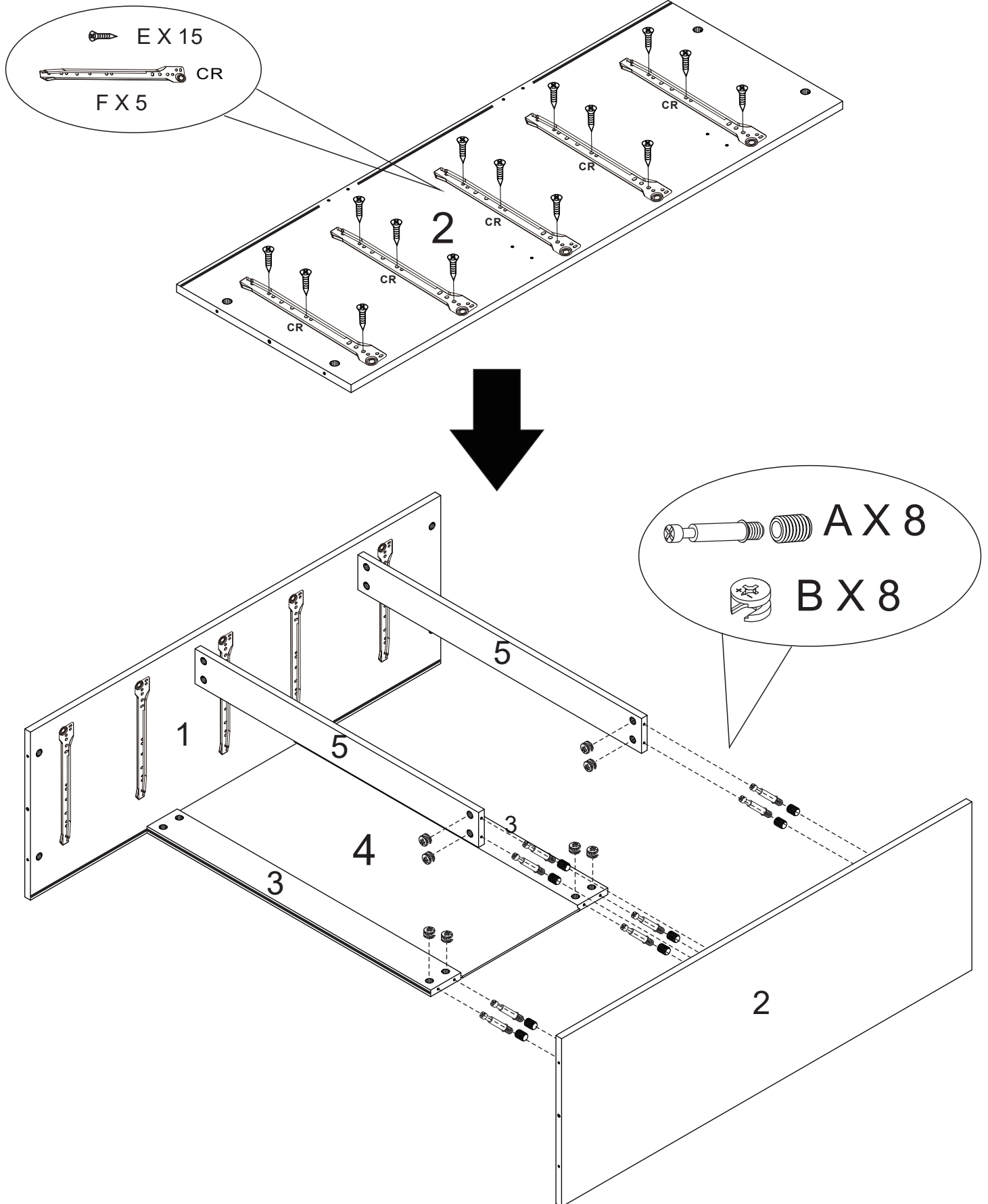
STEP 2



ASSEMBLY INSTRUCTION

ITEM# K16002 K16004 K16068

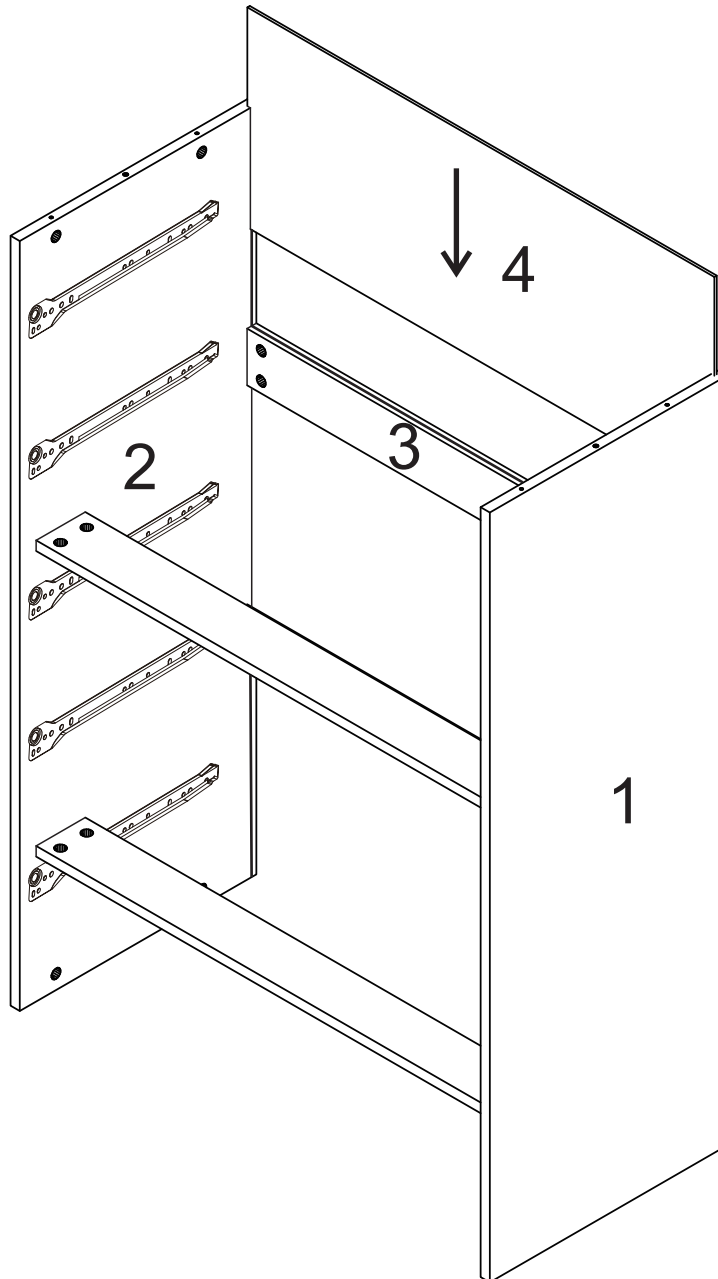
STEP 3



ASSEMBLY INSTRUCTION

ITEM# K16002 K16004 K16068

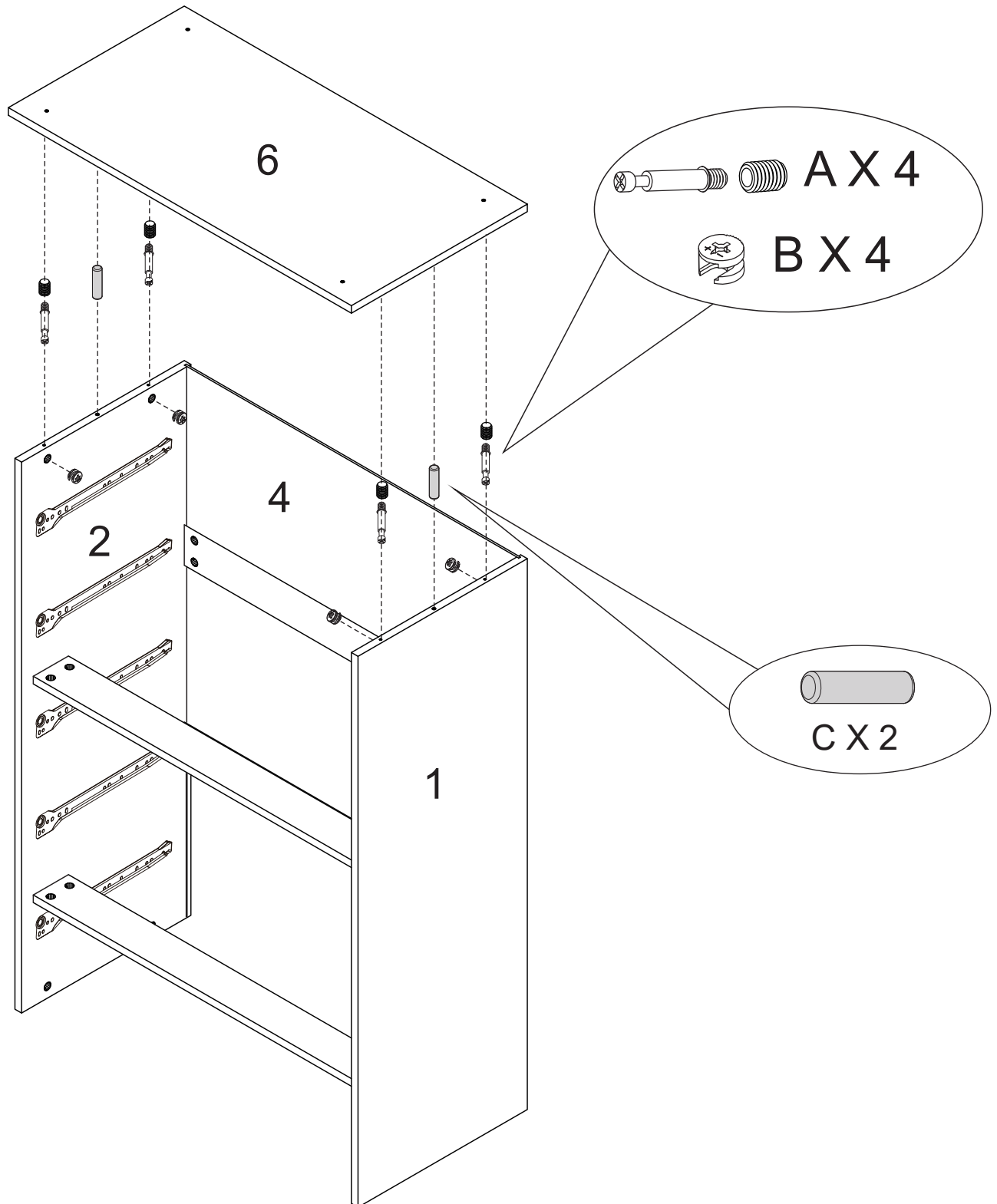
STEP 4



ASSEMBLY INSTRUCTION

ITEM# K16002 K16004 K16068

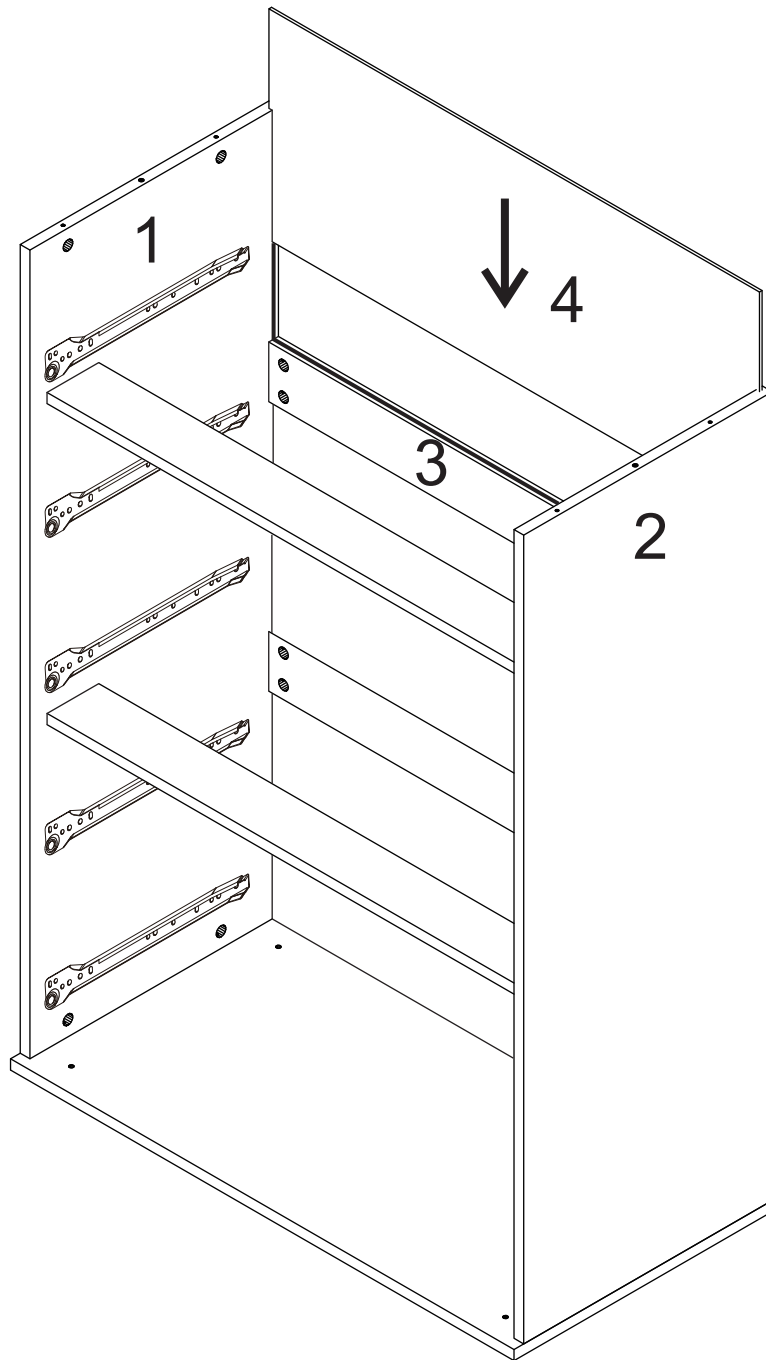
STEP 5



ASSEMBLY INSTRUCTION

ITEM# K16002 K16004 K16068

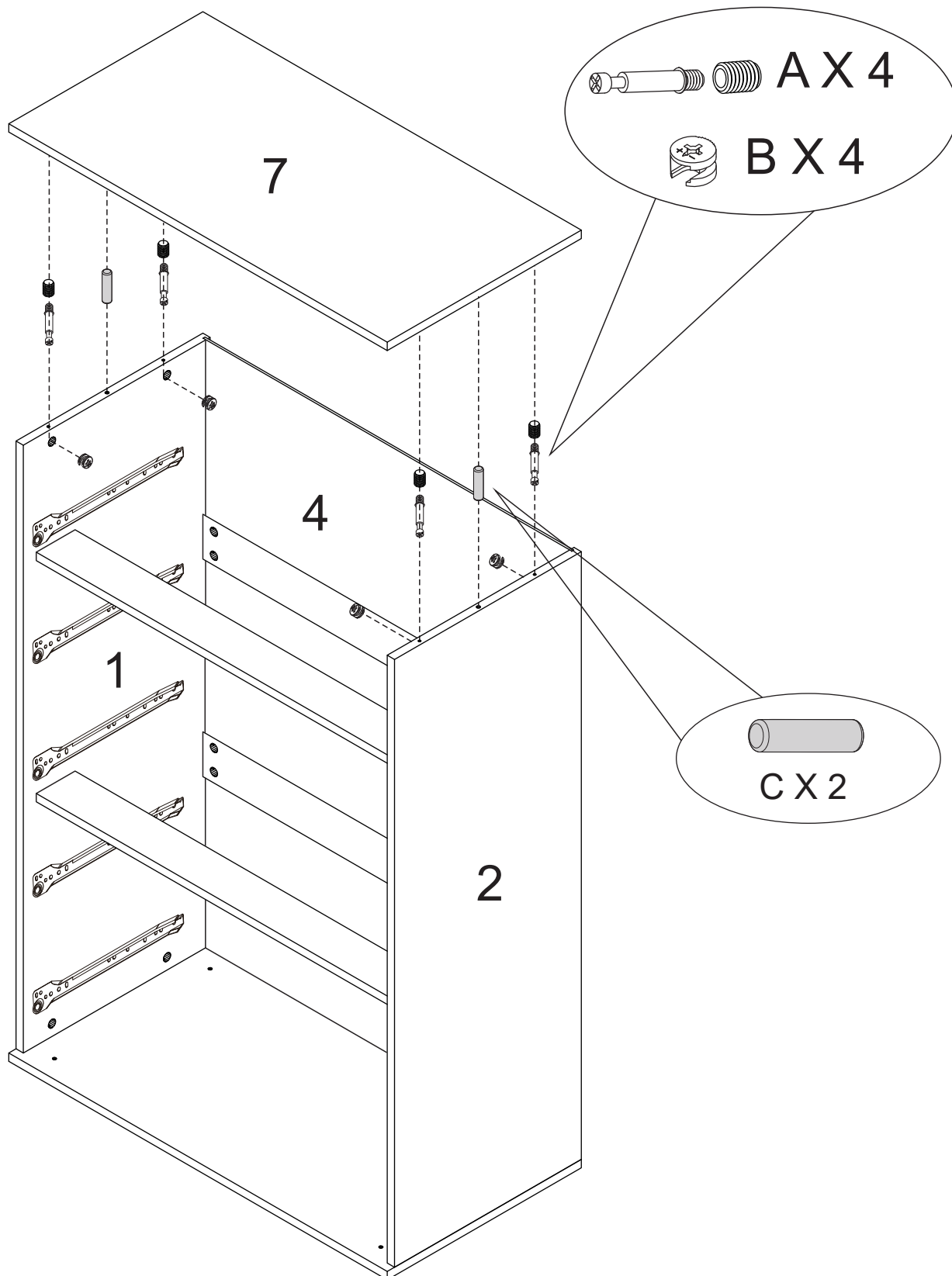
STEP 6



ASSEMBLY INSTRUCTION

ITEM# K16002 K16004 K16068

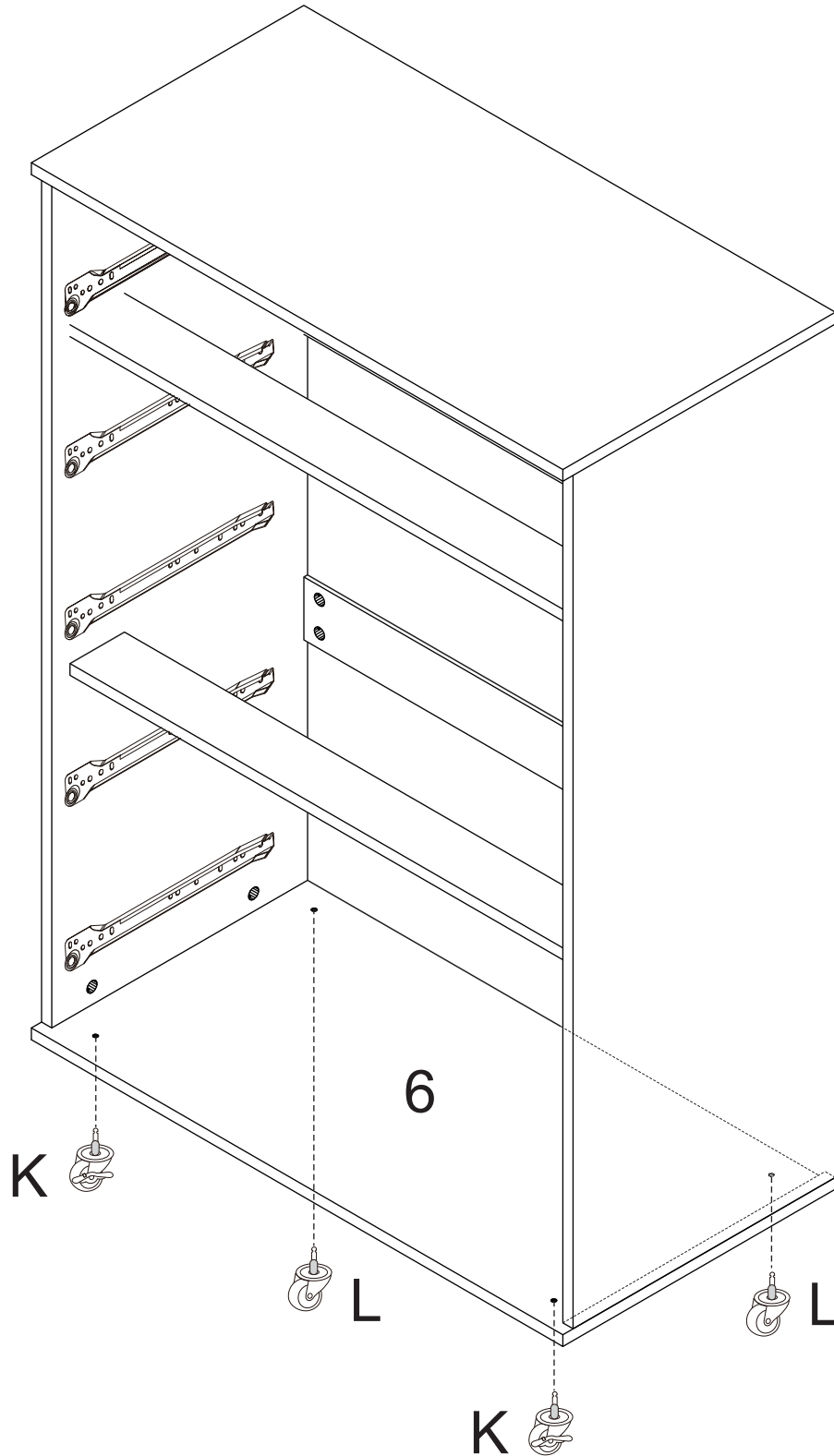
STEP 7



ASSEMBLY INSTRUCTION

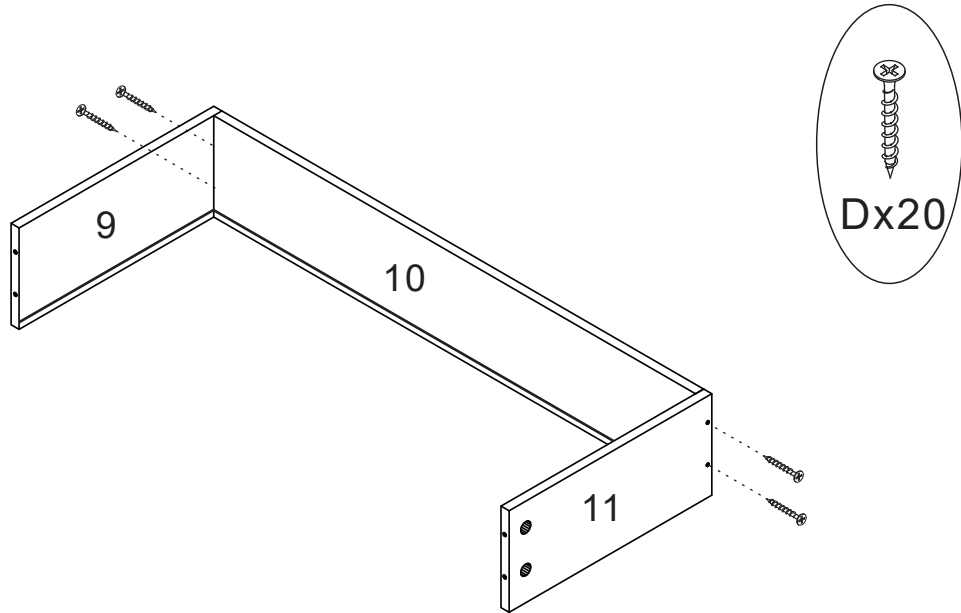
ITEM# K16002 K16004 K16068

STEP 8



ASSEMBLY INSTRUCTION

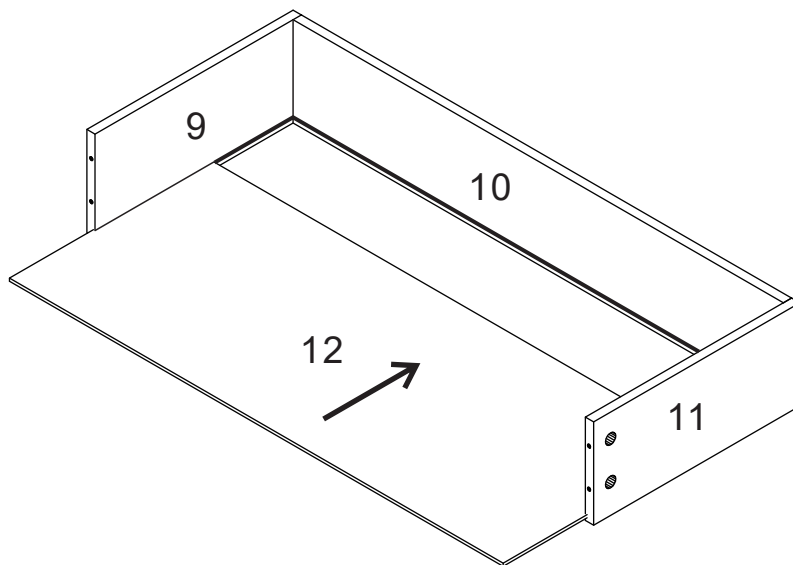
ITEM# K16002 K16004 K16068



X 5

STEP 9

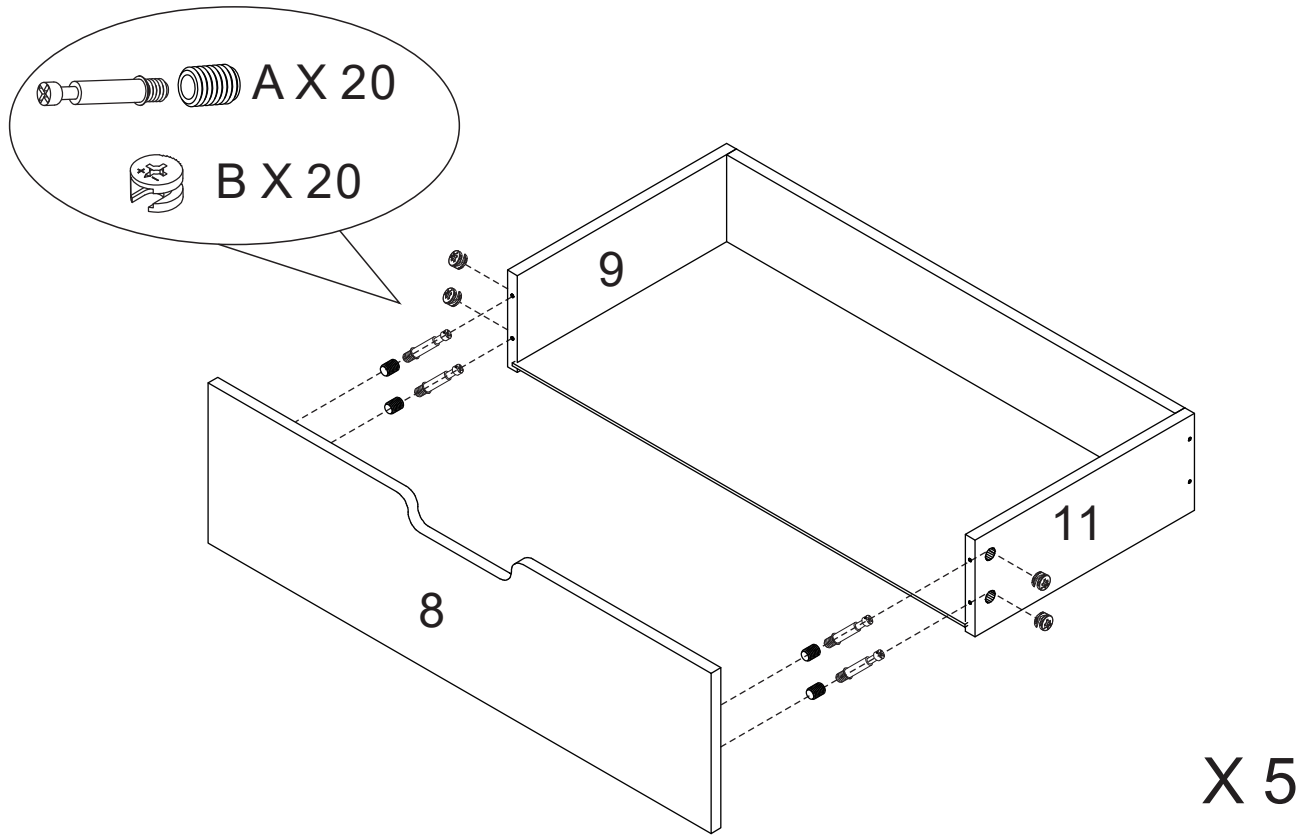
STEP 10



X 5

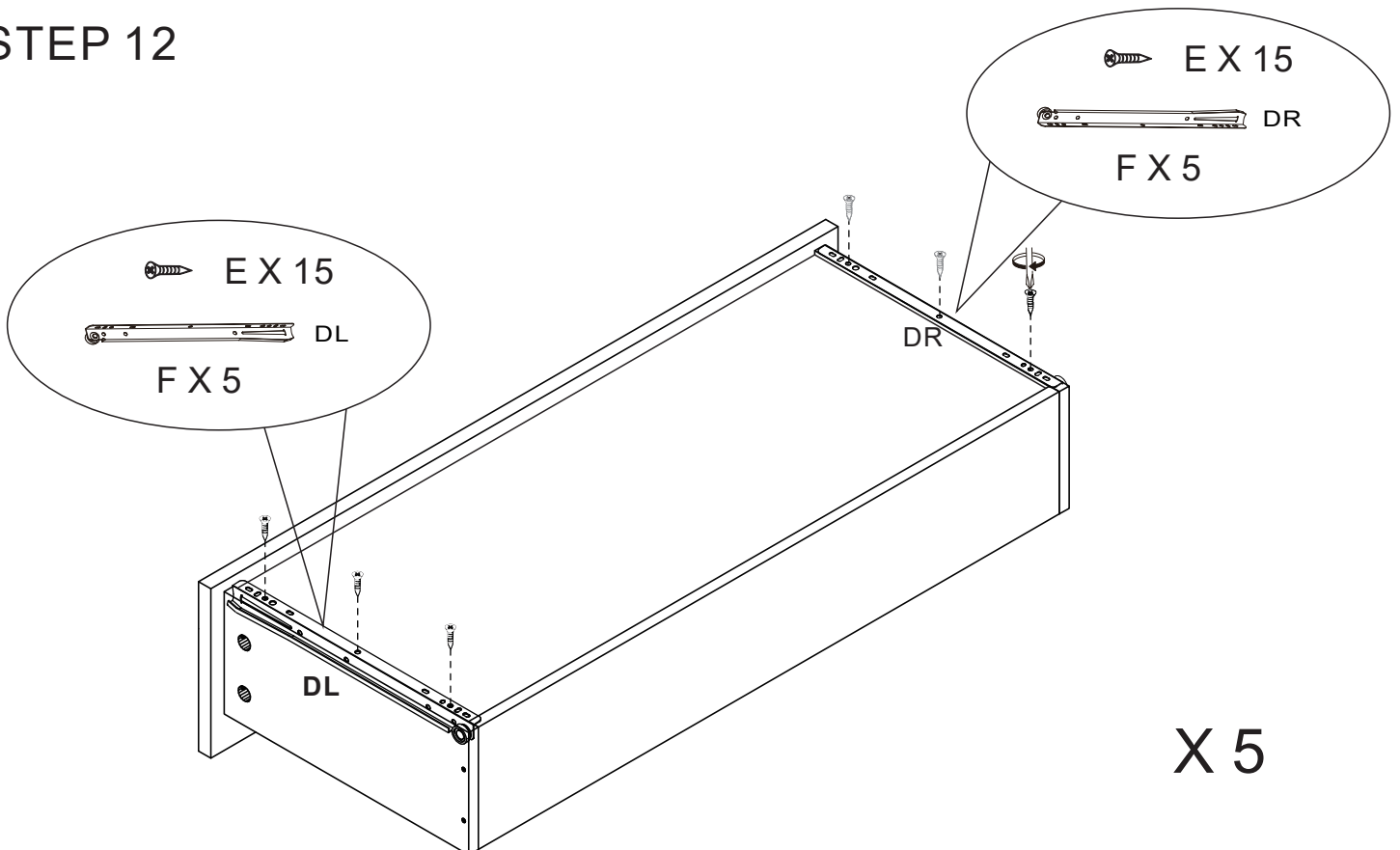
ASSEMBLY INSTRUCTION

ITEM# K16002 K16004 K16068



STEP 11

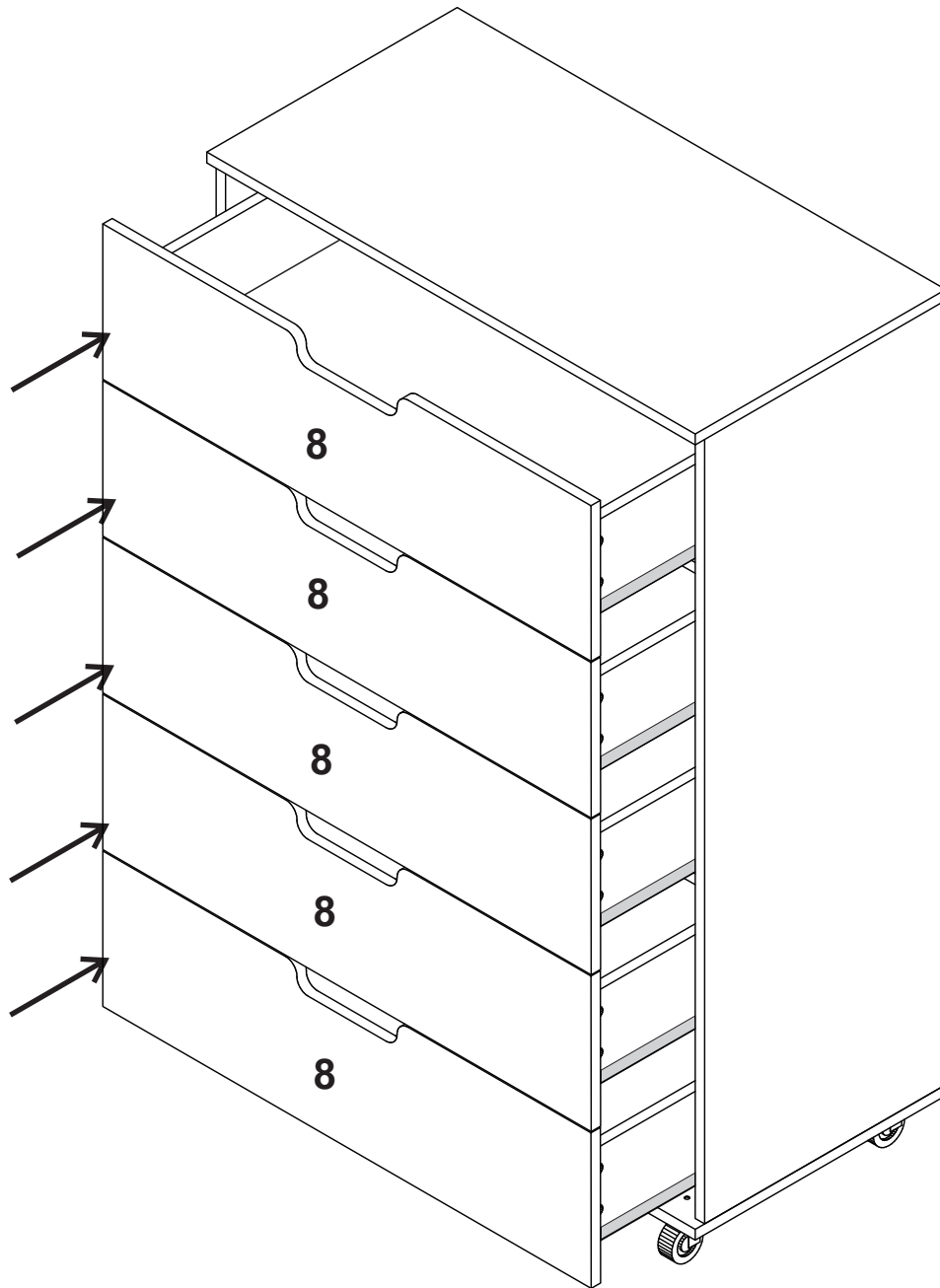
STEP 12



ASSEMBLY INSTRUCTION

ITEM# K16002 K16004 K16068

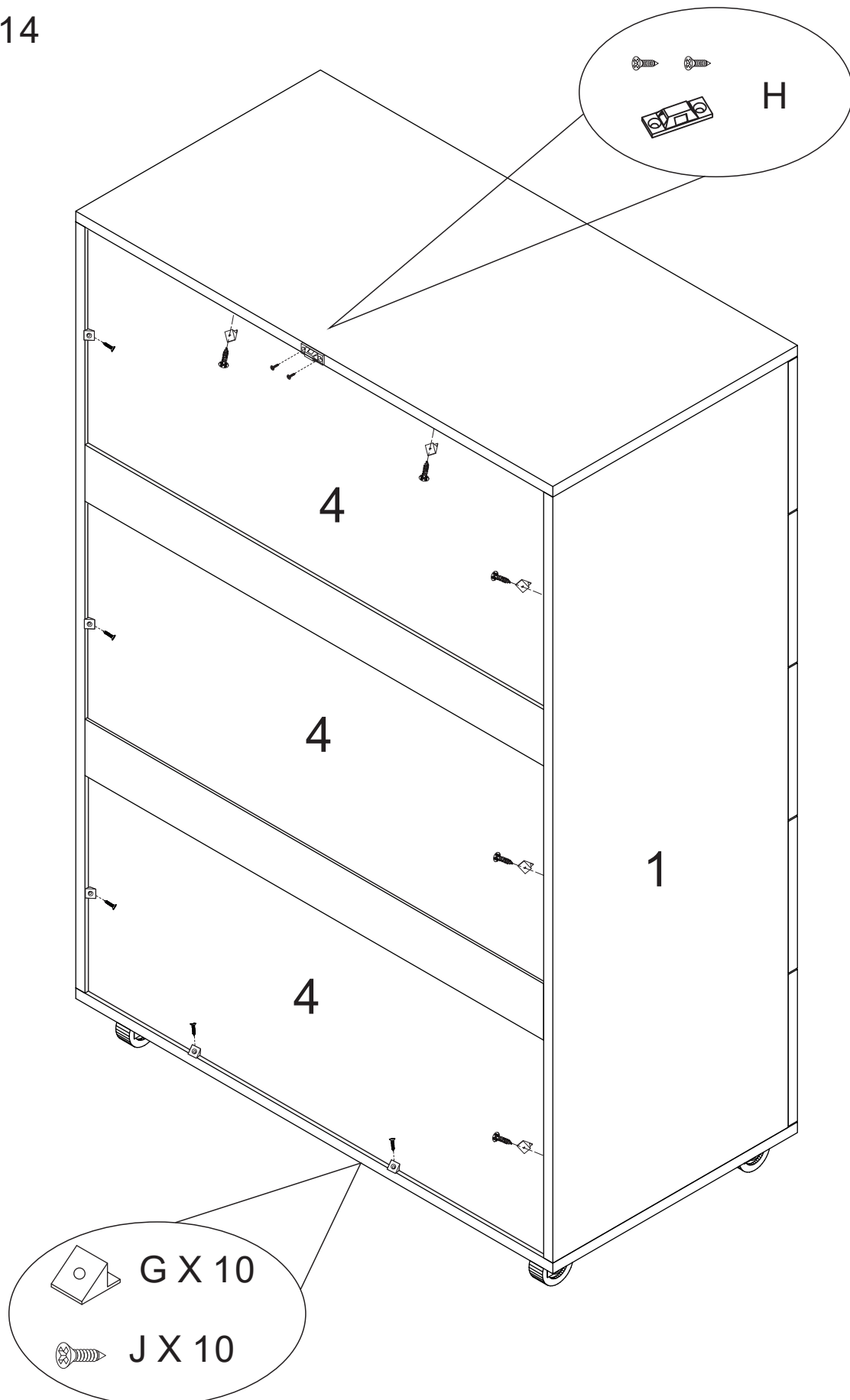
STEP 13



ASSEMBLY INSTRUCTION

ITEM# K16002 K16004 K16068

STEP 14



ASSEMBLY INSTRUCTION

ITEM# K16002 K16004 K16068

STEP 15

