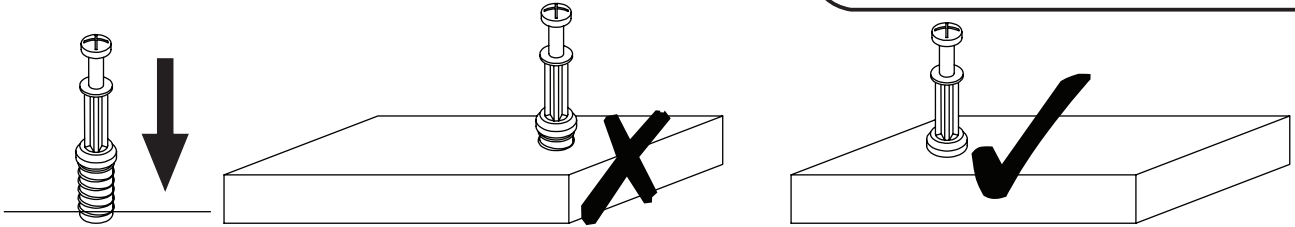
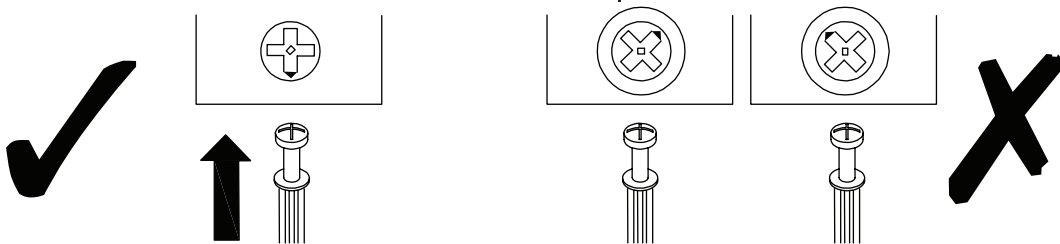


EN_IMPORTANT, RETAIN FOR FUTURE REFERENCE: READ CAREFULLY.

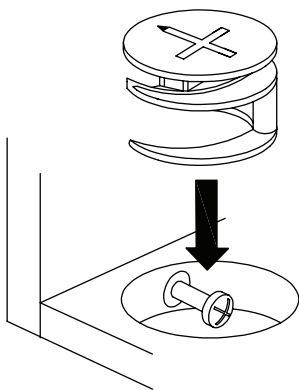
USING CAM LOCK AND QUICKFIT



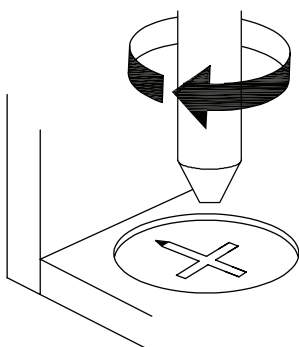
EN_QUICKFIT: Tighten quickfit until shoulder is flush with panel. Do not overtighten or undertighten.



EN_CAM LOCK: When fitting cam lock, ensure starting position is correct before you insert connecting quickfit.

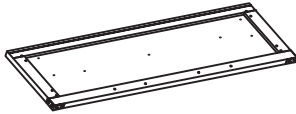
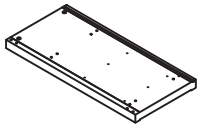
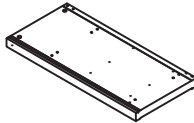
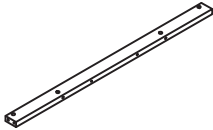
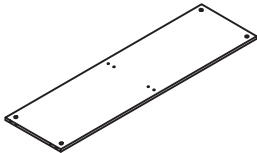
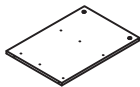

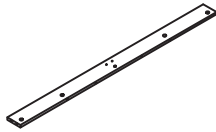
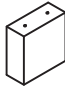

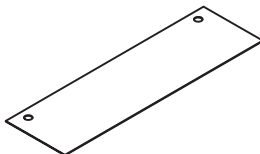


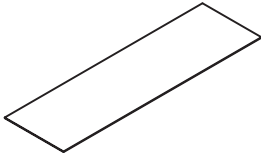
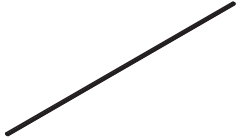
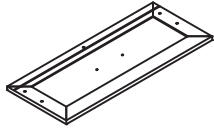
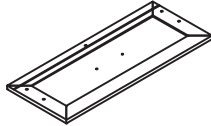
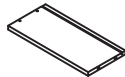
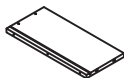
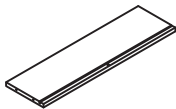
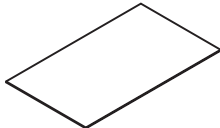


EN_Quickfit head should be in the centre of the cam lock when the two panels are joined.
Cam lock should be inserted before quickfit.

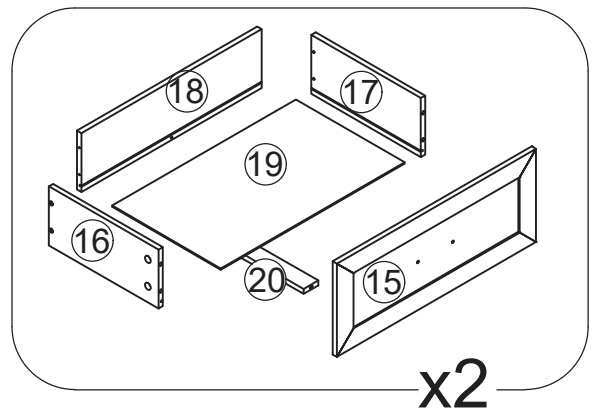
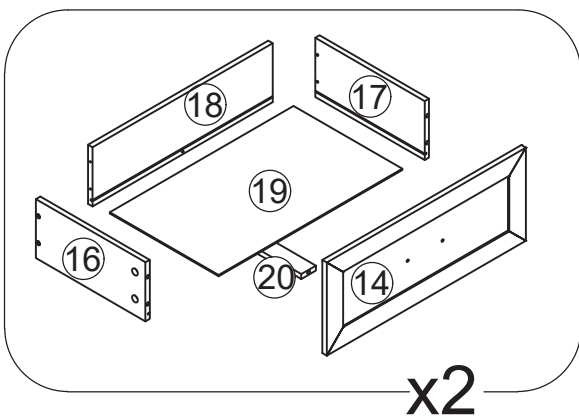
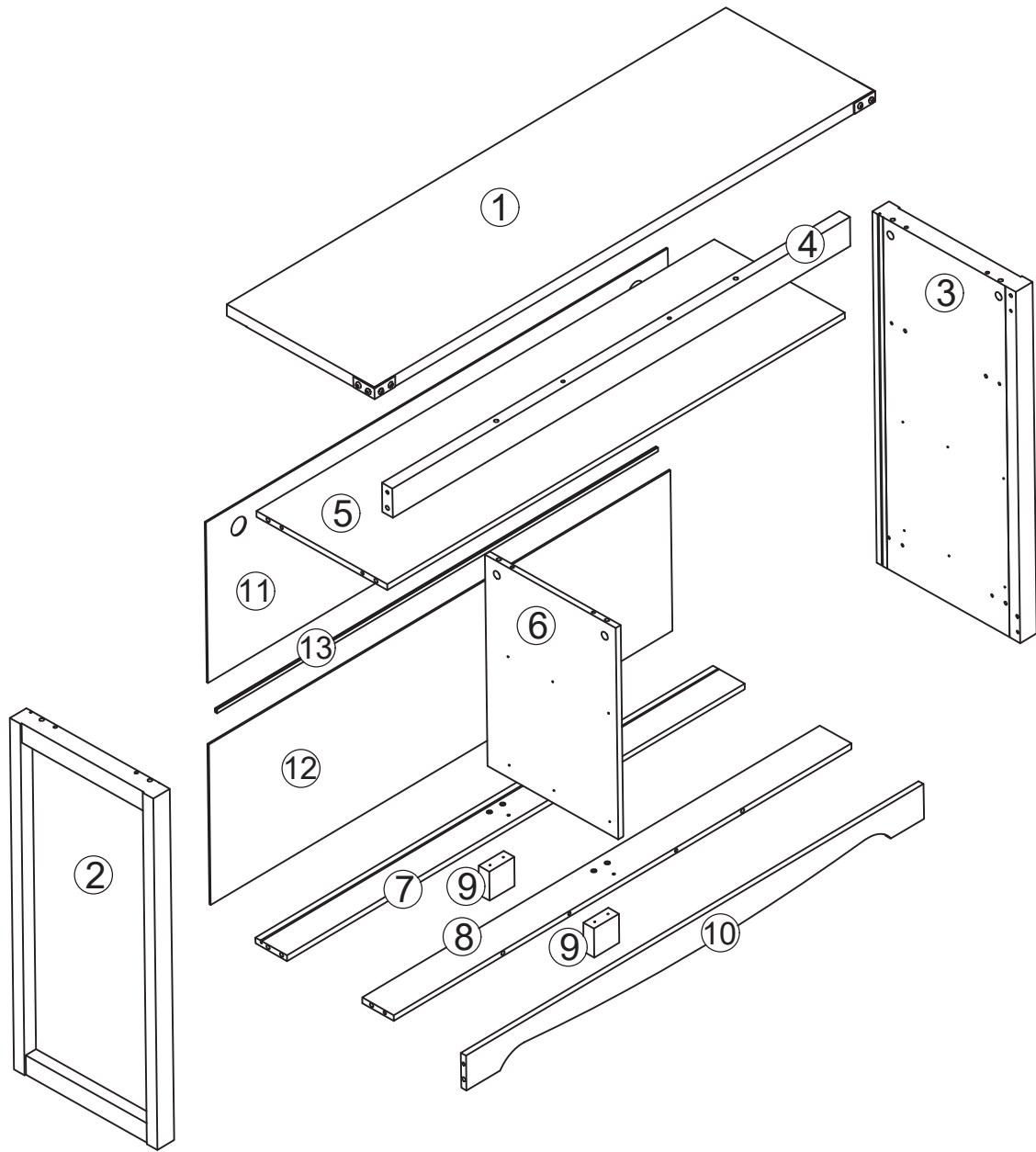


EN_Turn cam lock clockwise to tighten.

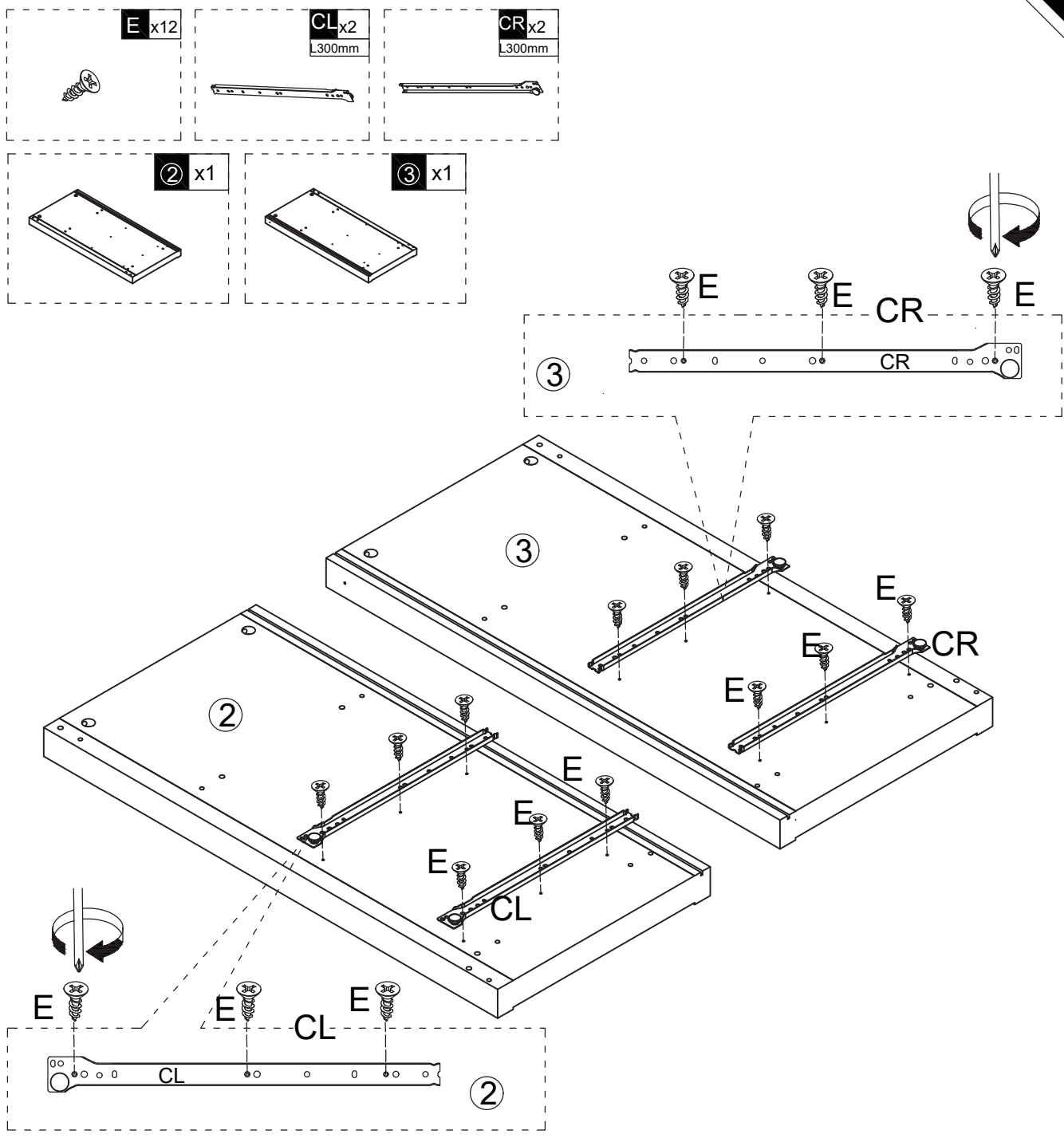
PACKING DELALS

NO.	PARTS	QTY	SPARE
①		x1	
②		x1	
③		x1	
④		x1	
⑤		x1	
⑥		x1	
⑦		x1	
⑧		x1	
⑨		x2	
⑩		x1	
⑪		x1	

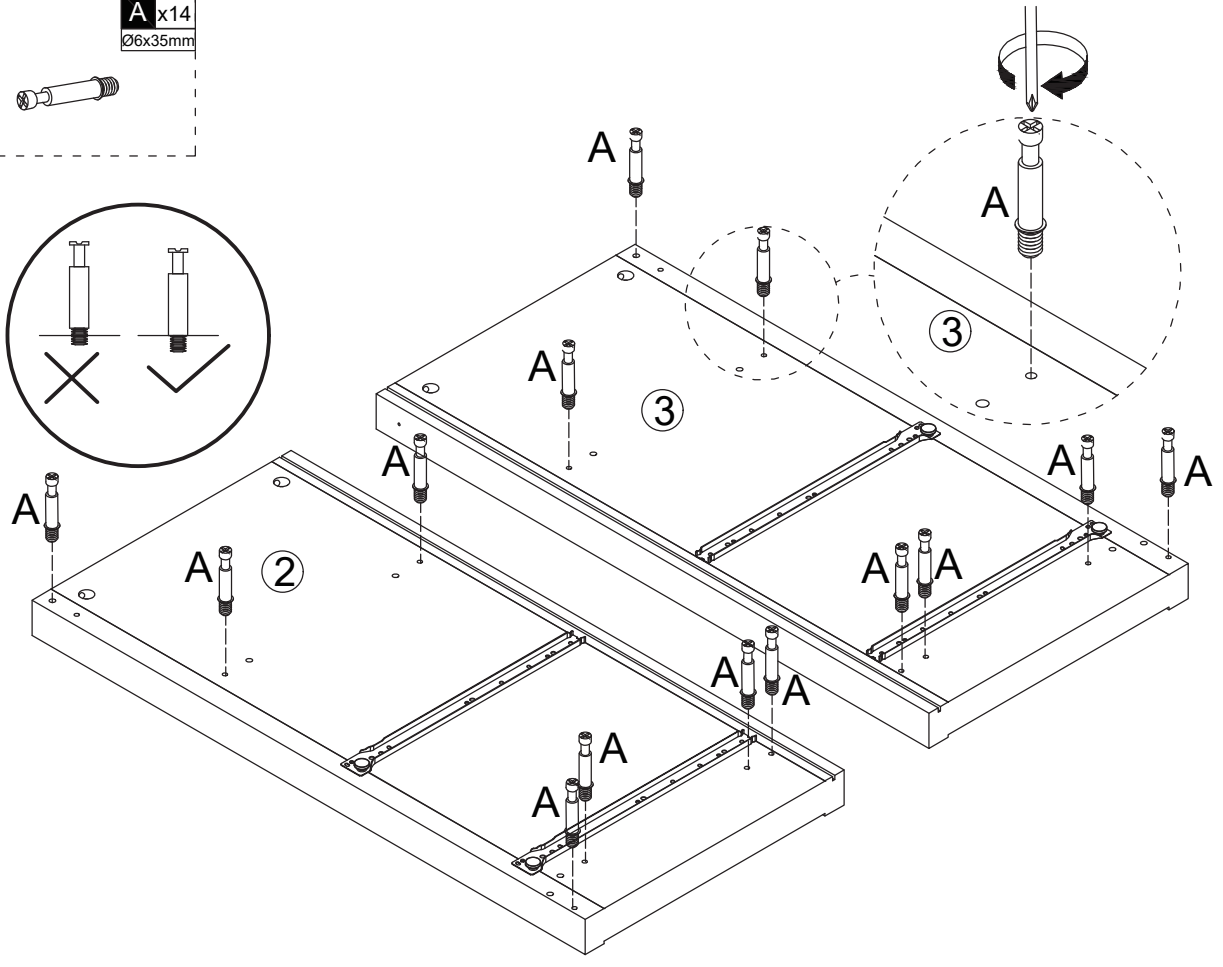
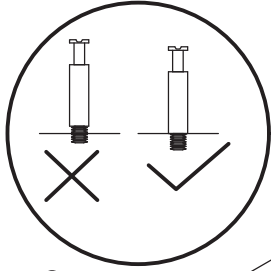
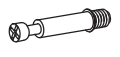
NO.	PARTS	QTY	SPARE
⑫		x1	
⑬		x1	
⑭		x2	
⑮		x2	
⑯		x4	
⑰		x4	
⑱		x4	
⑲		x4	
⑳		x4	
	 Hardware Kit		



A x44 Ø6x35mm +3(spare)	B x44 Ø15x10mm +3(spare)	C x20 Ø6x30mm +1(spare)	D x28 Ø4x35mm +2(spare)	E x48 Ø3.5x10mm +3(spare)	F x2
G x1	H x3	I x4	J x16 +1(spare)	K x16 Ø3x16mm +1(spare)	L x2
M x2	N x2 Ø6x30mm	CL x4 L300mm	CR x4 L300mm	DL x4 L300mm	DR x4 L300mm



A x14
Ø6x35mm



E x12



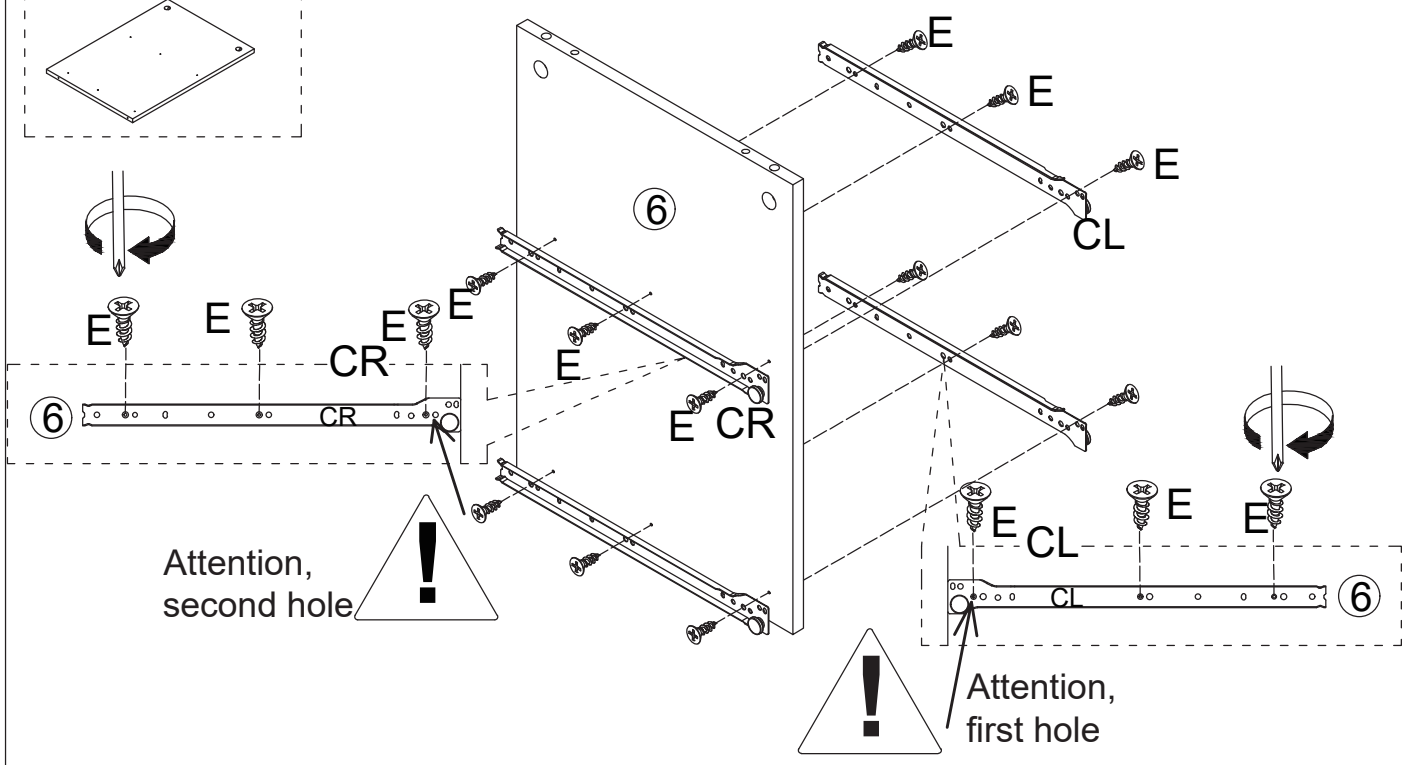
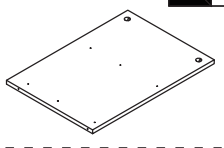
CL x2
L300mm



CR x2
L300mm



6 x1



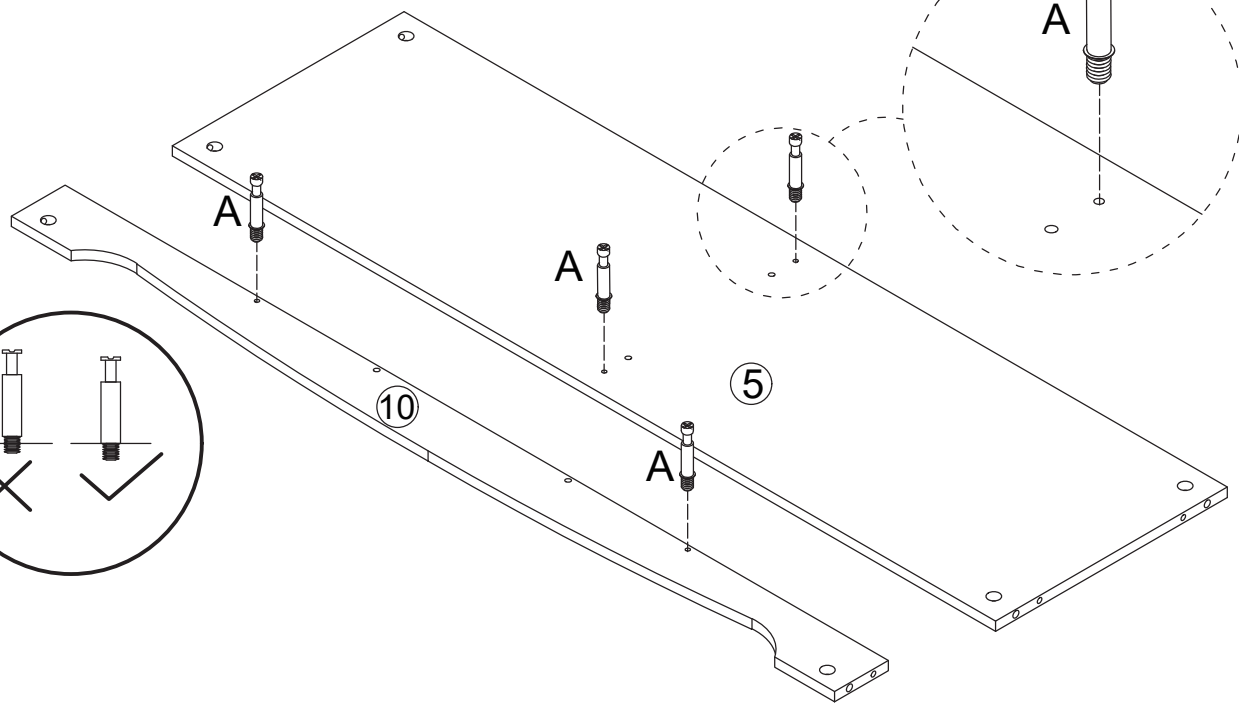
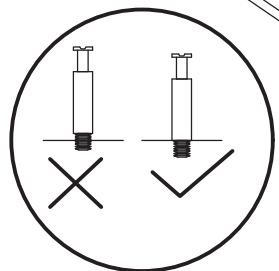
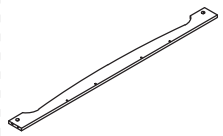
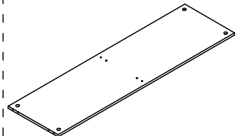
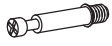
Attention,
second hole

Attention,
first hole

A x4
Ø6x35mm

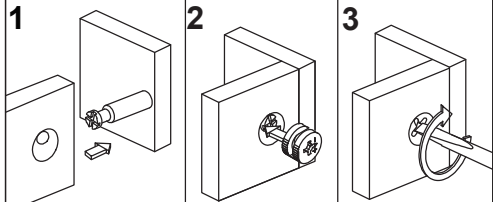
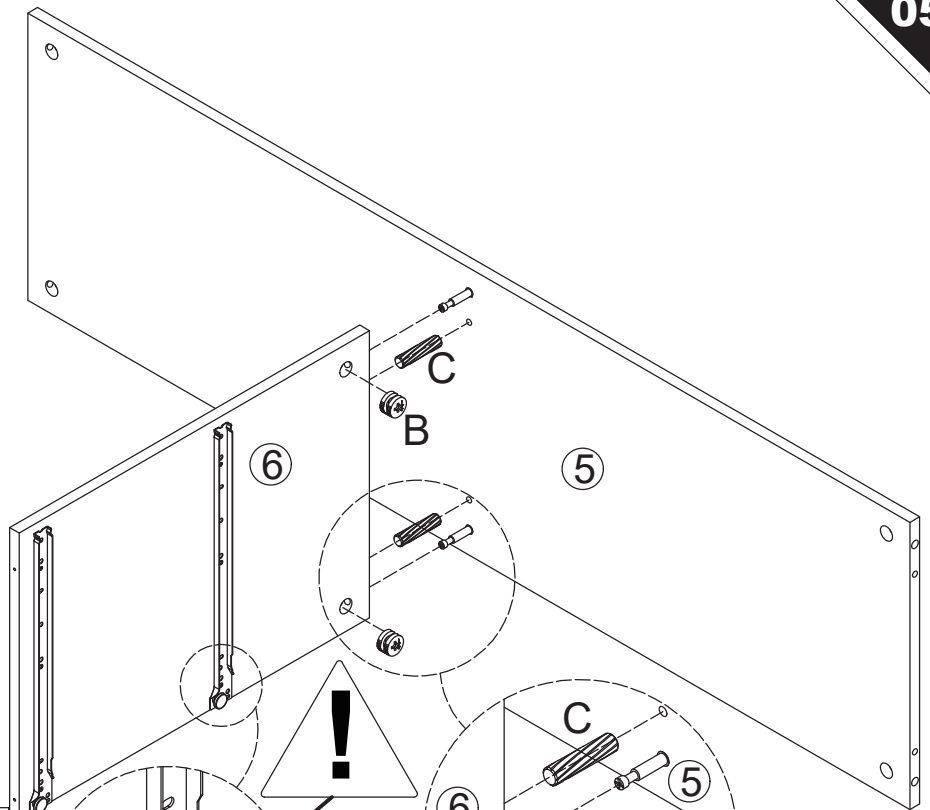
5 x1

10 x1



B x2
Ø15x10mm

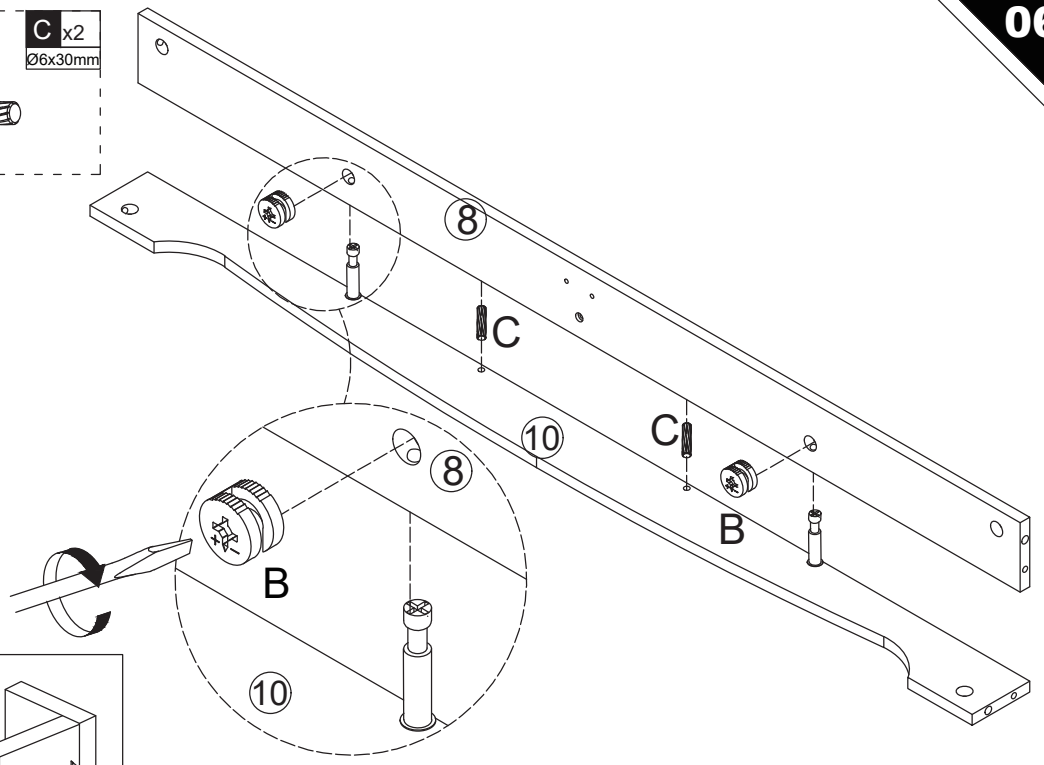
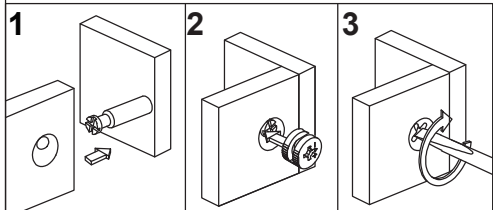
C x2
Ø6x30mm



B x2
Ø15x10mm

C x2
Ø6x30mm

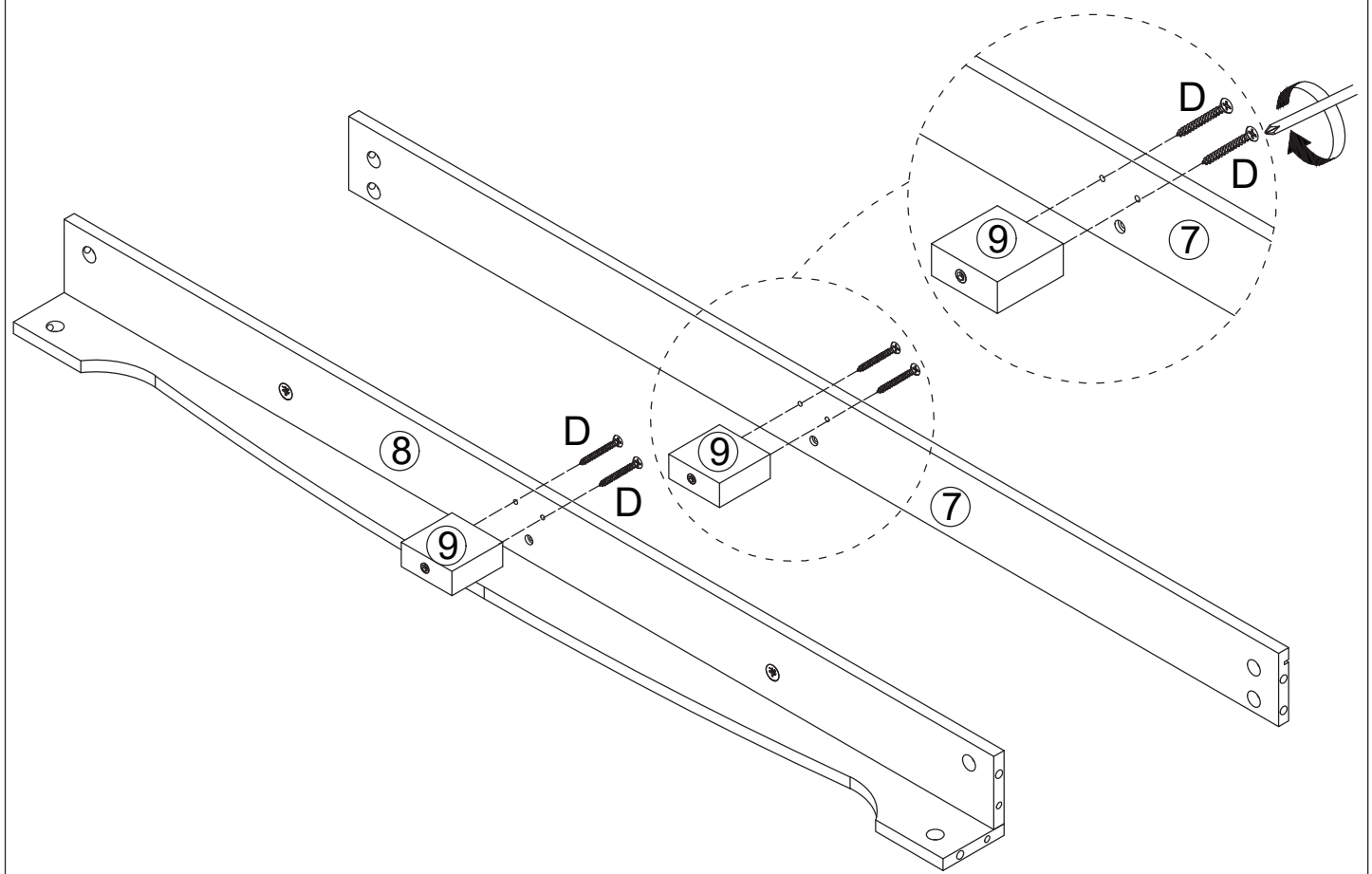
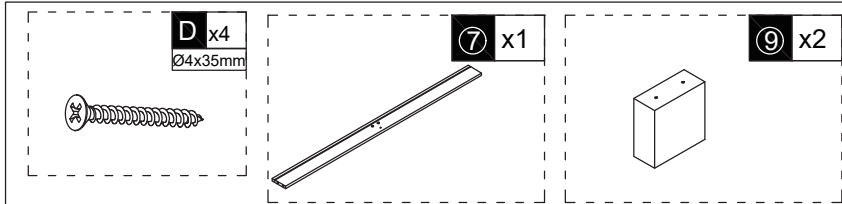
8 x1



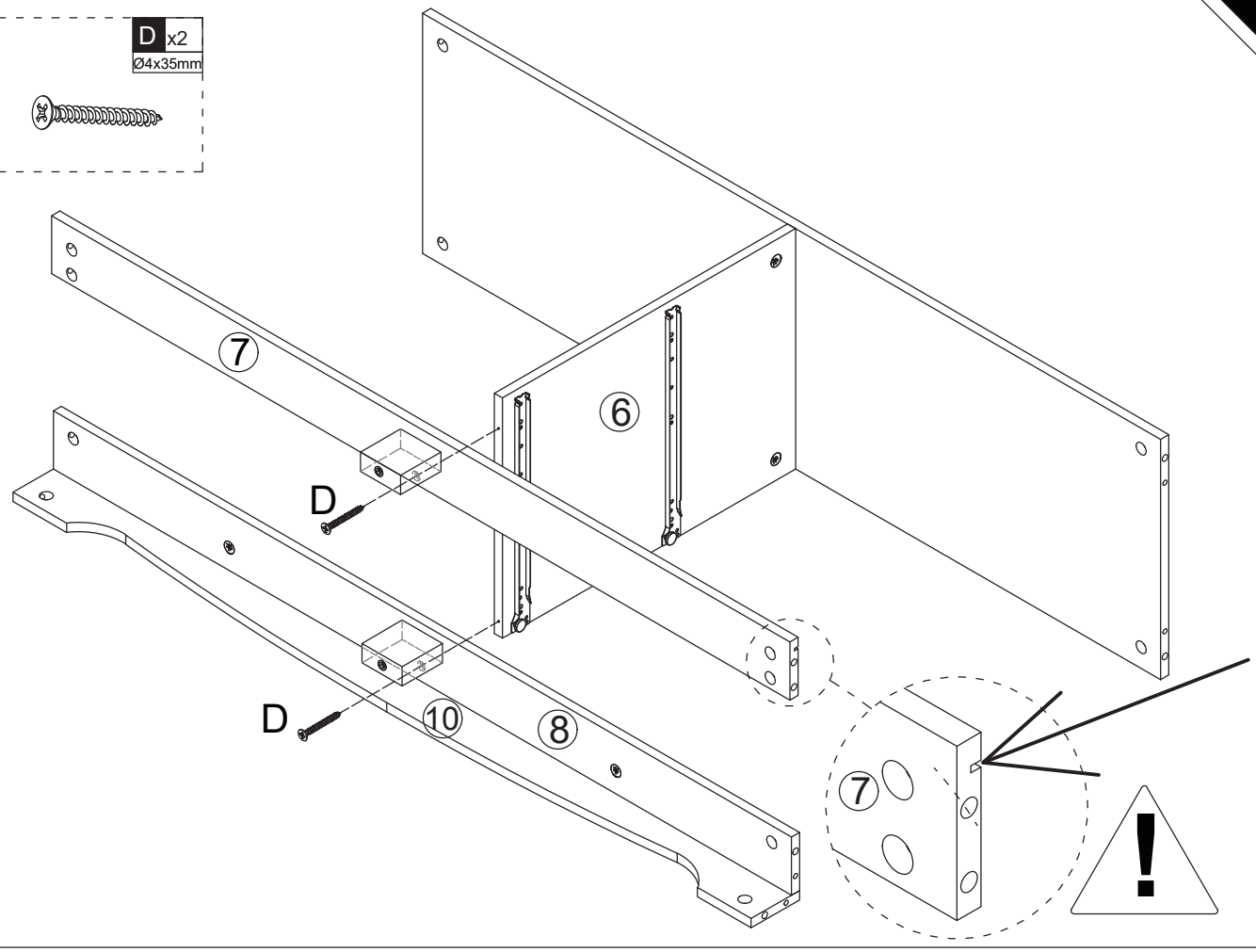
D x4
Ø4x35mm

7 x1

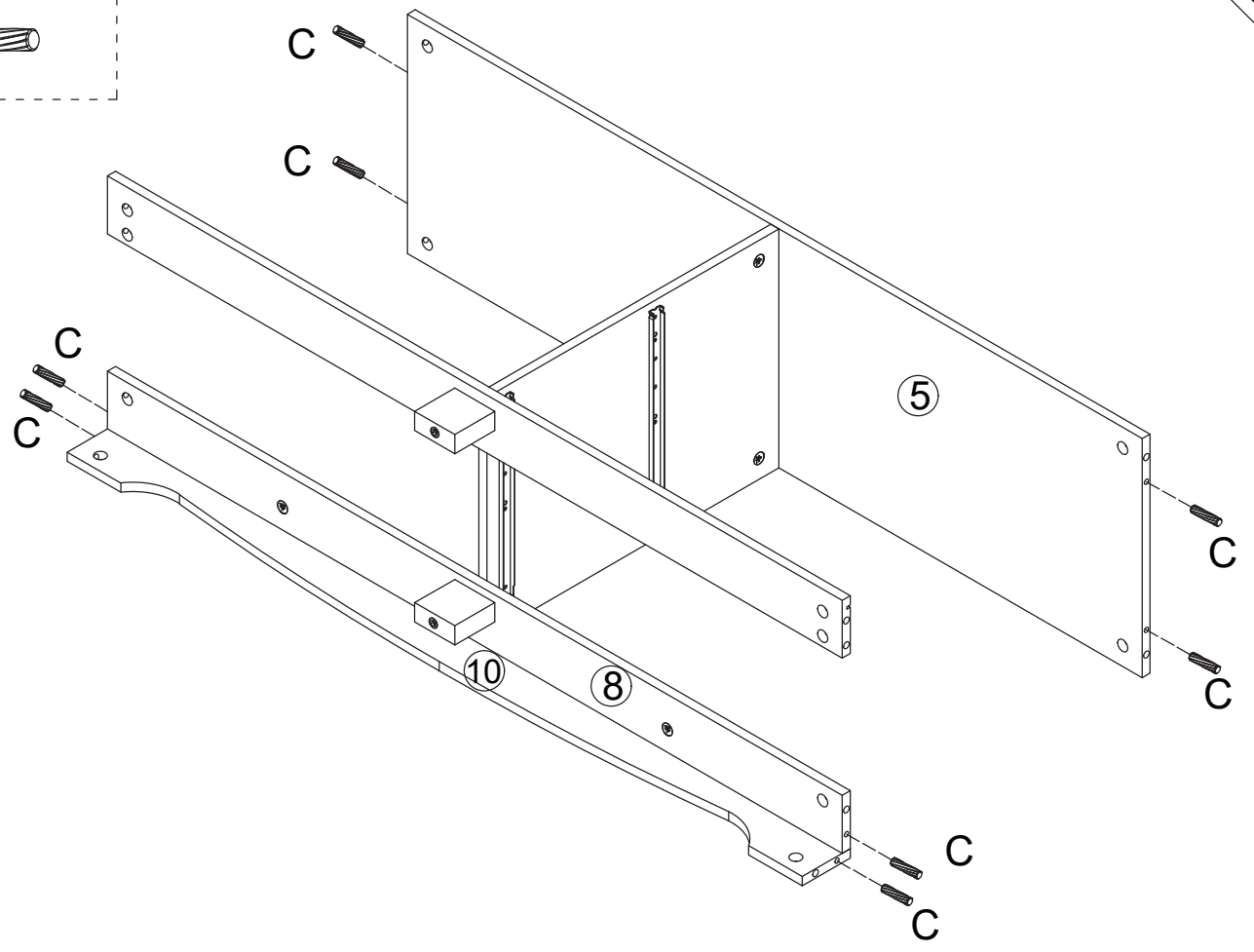
9 x2



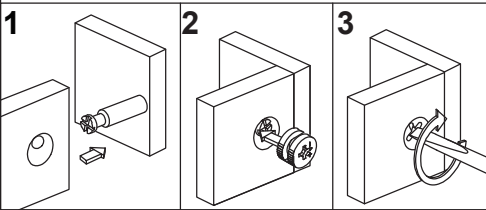
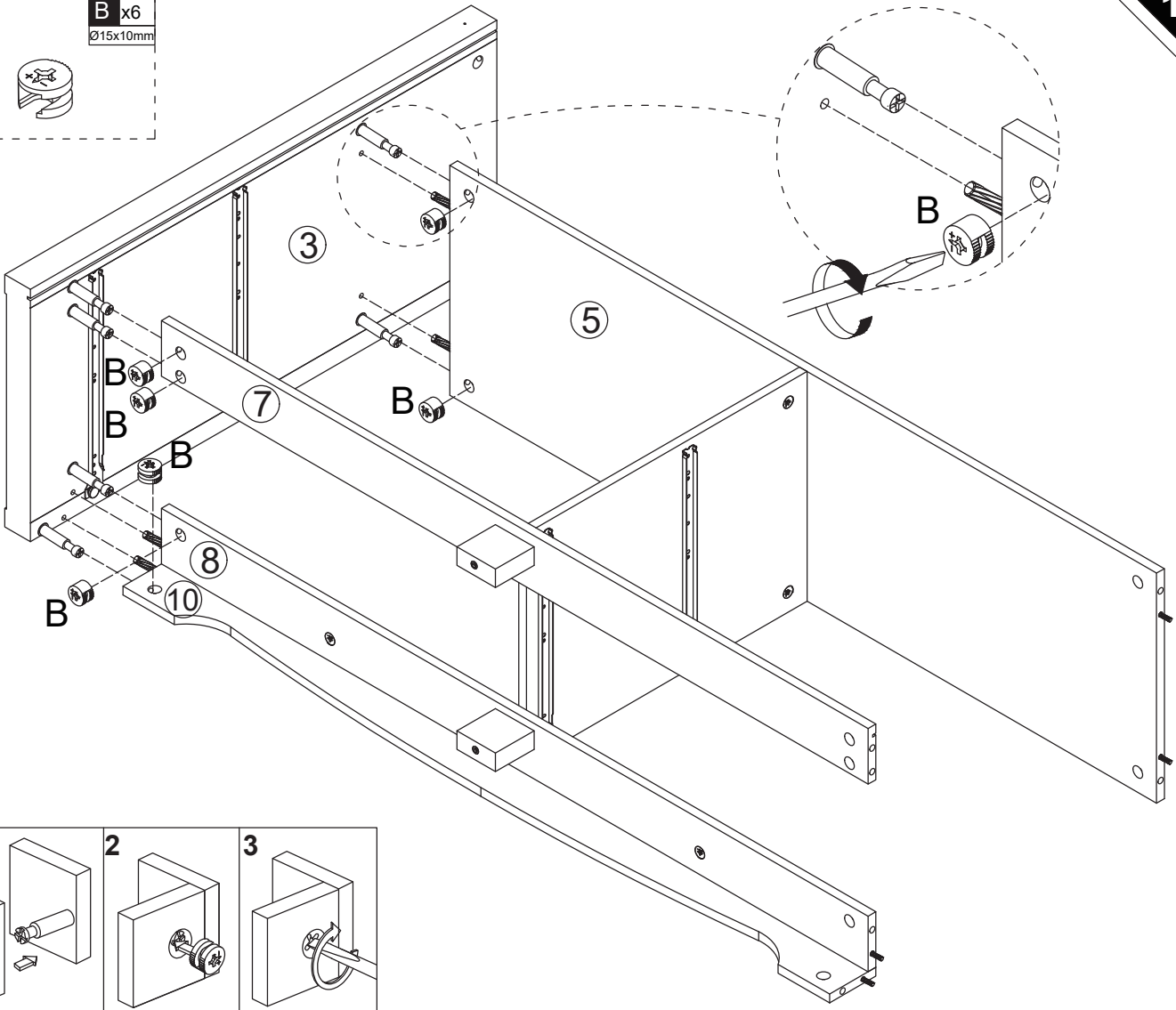
D x2
Ø4x35mm



C x8
Ø6x30mm

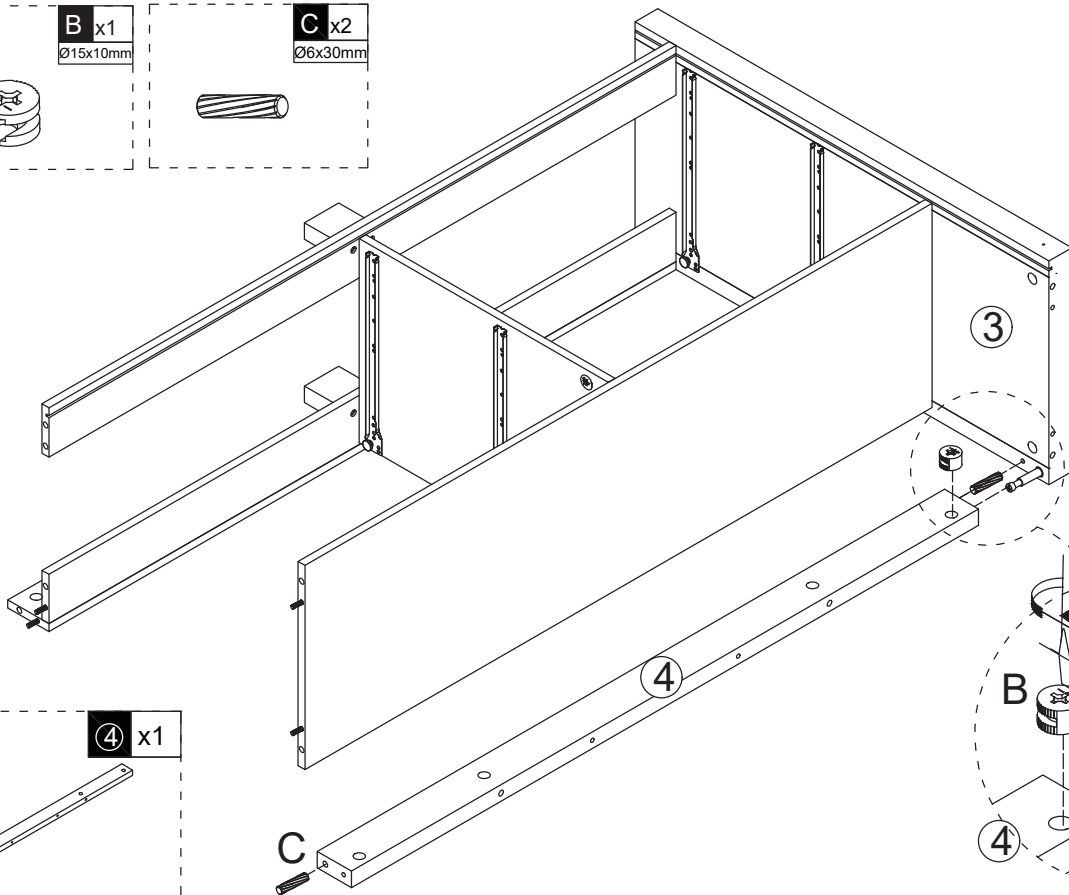


B x6
Ø15x10mm

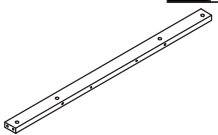


B x1
Ø15x10mm

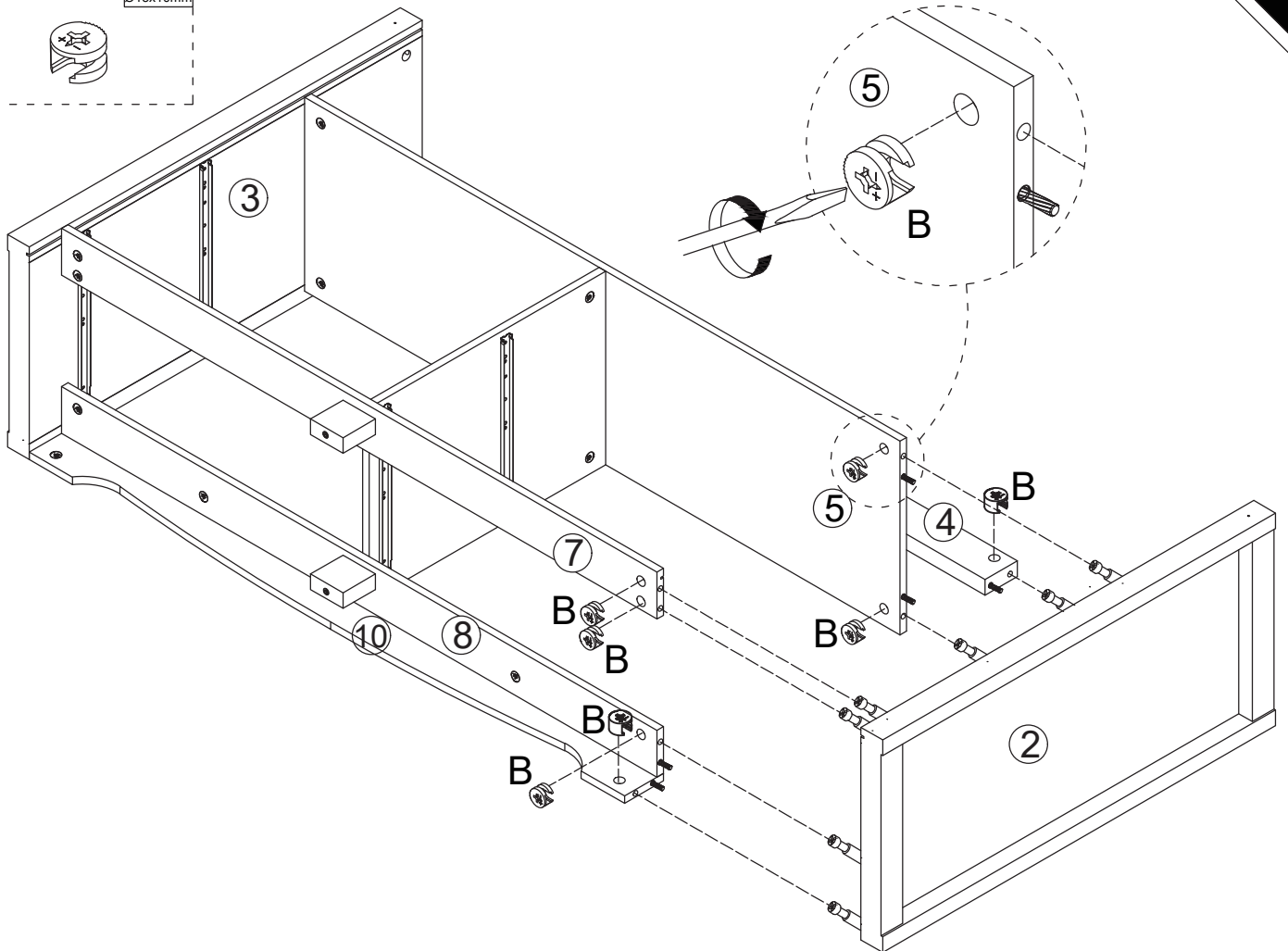
C x2
Ø6x30mm



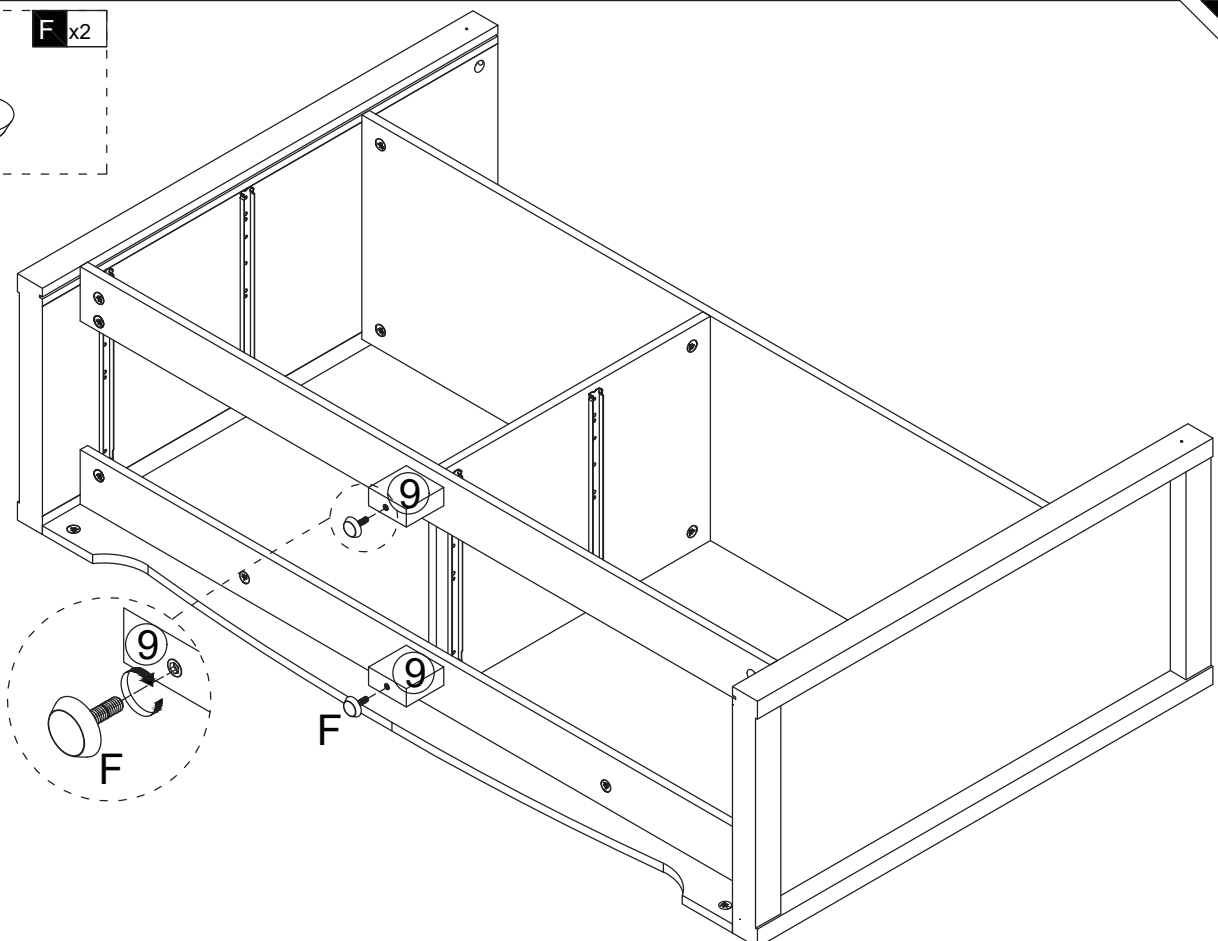
4 x1

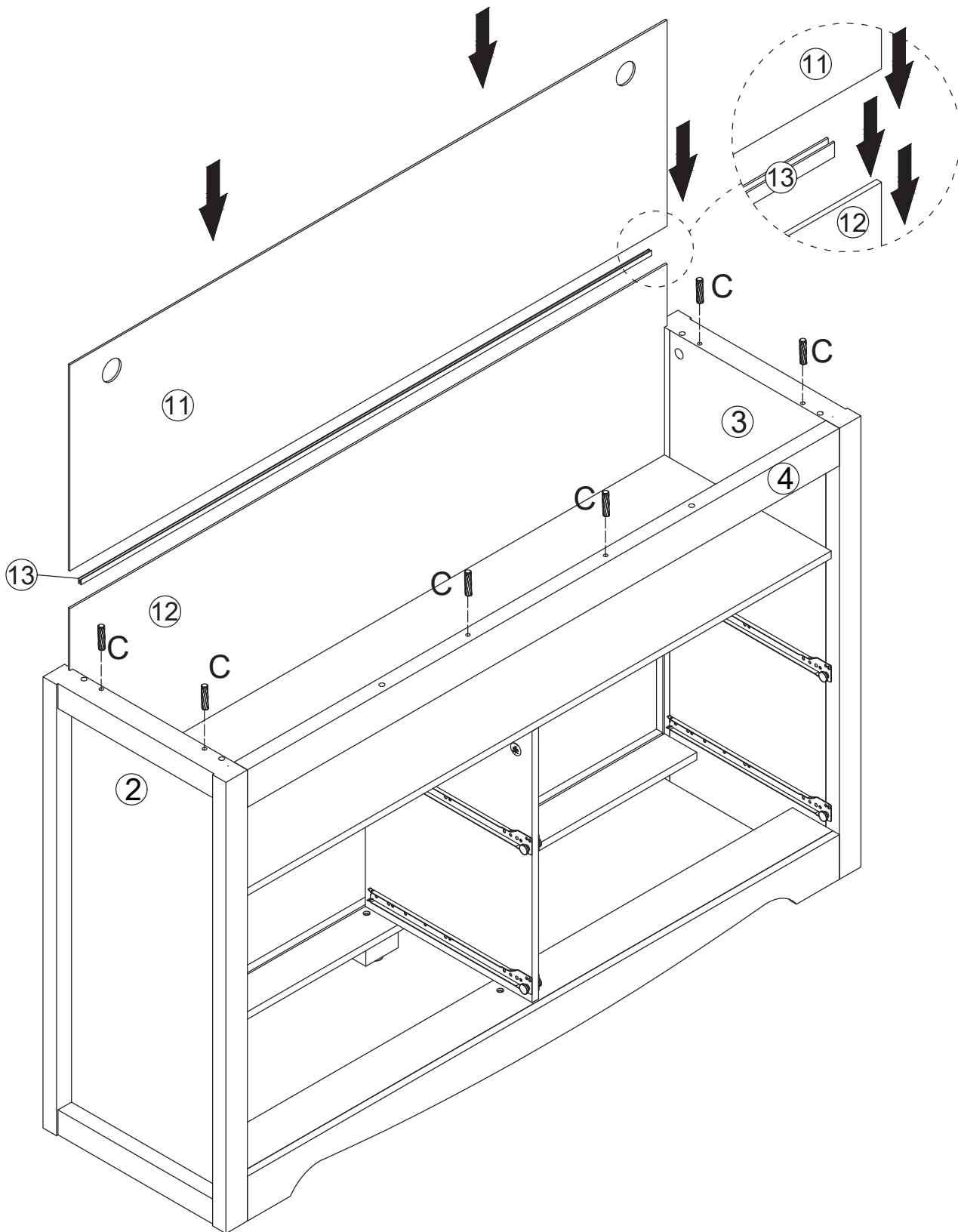
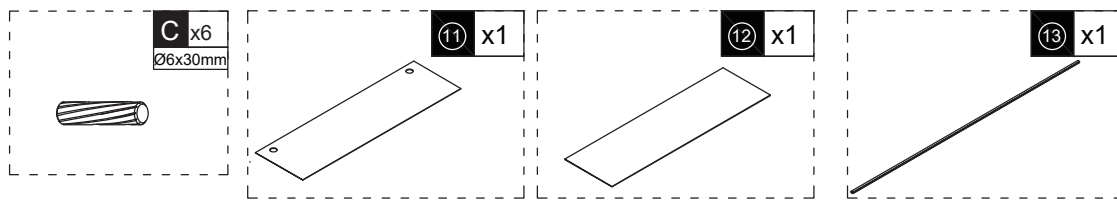


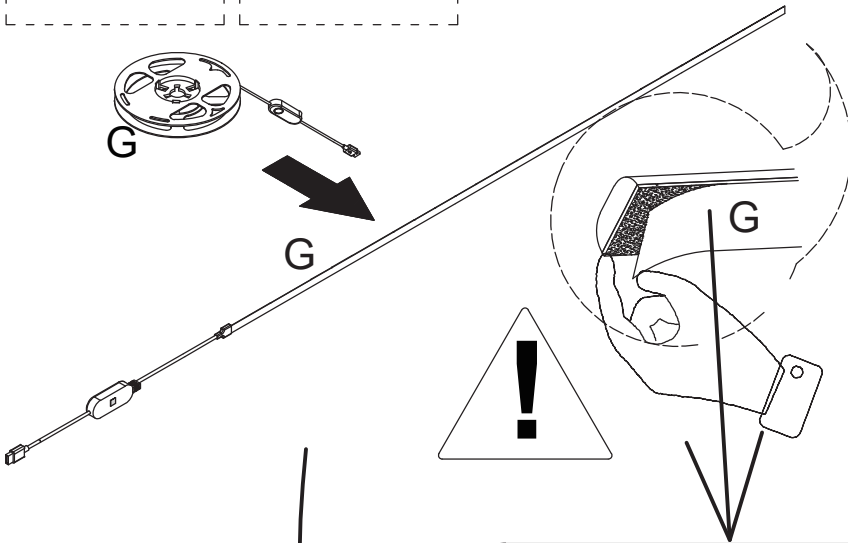
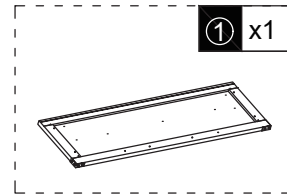
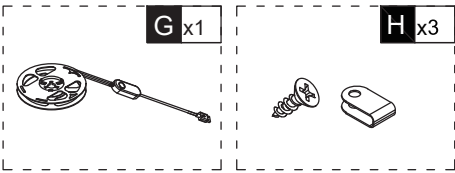
B x7
 Ø15x10mm



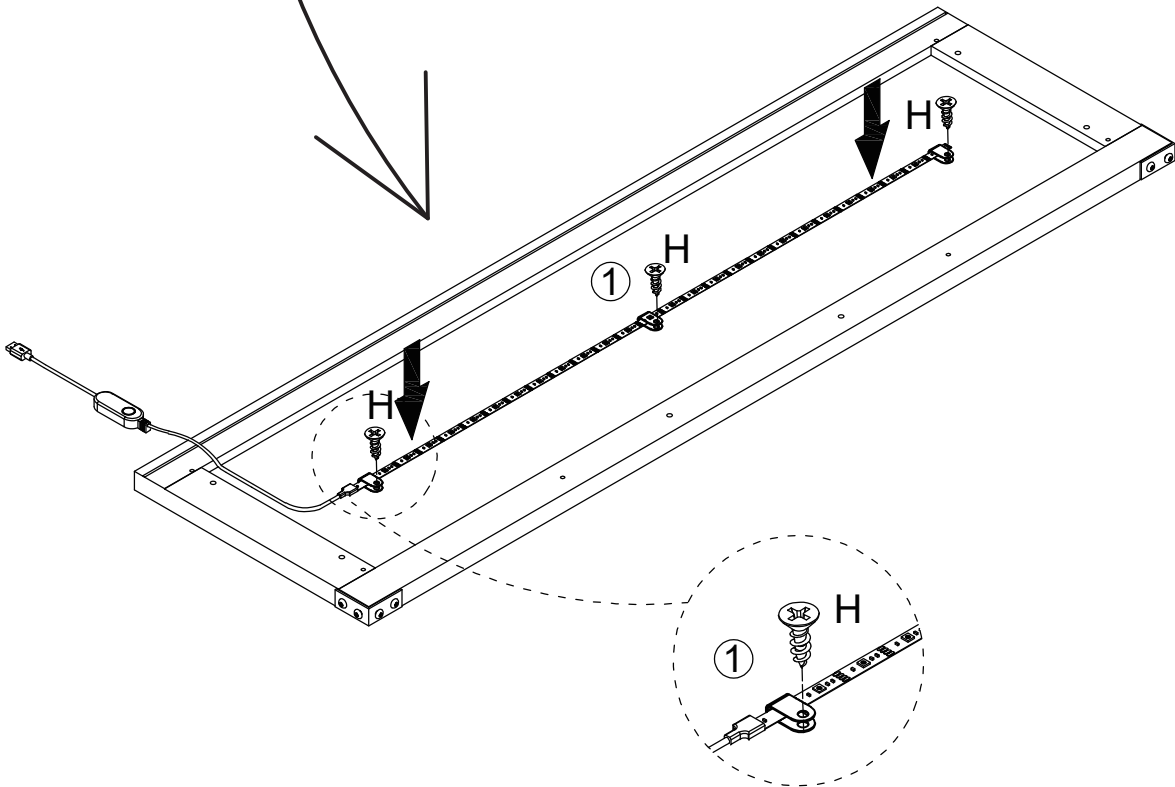
F x2

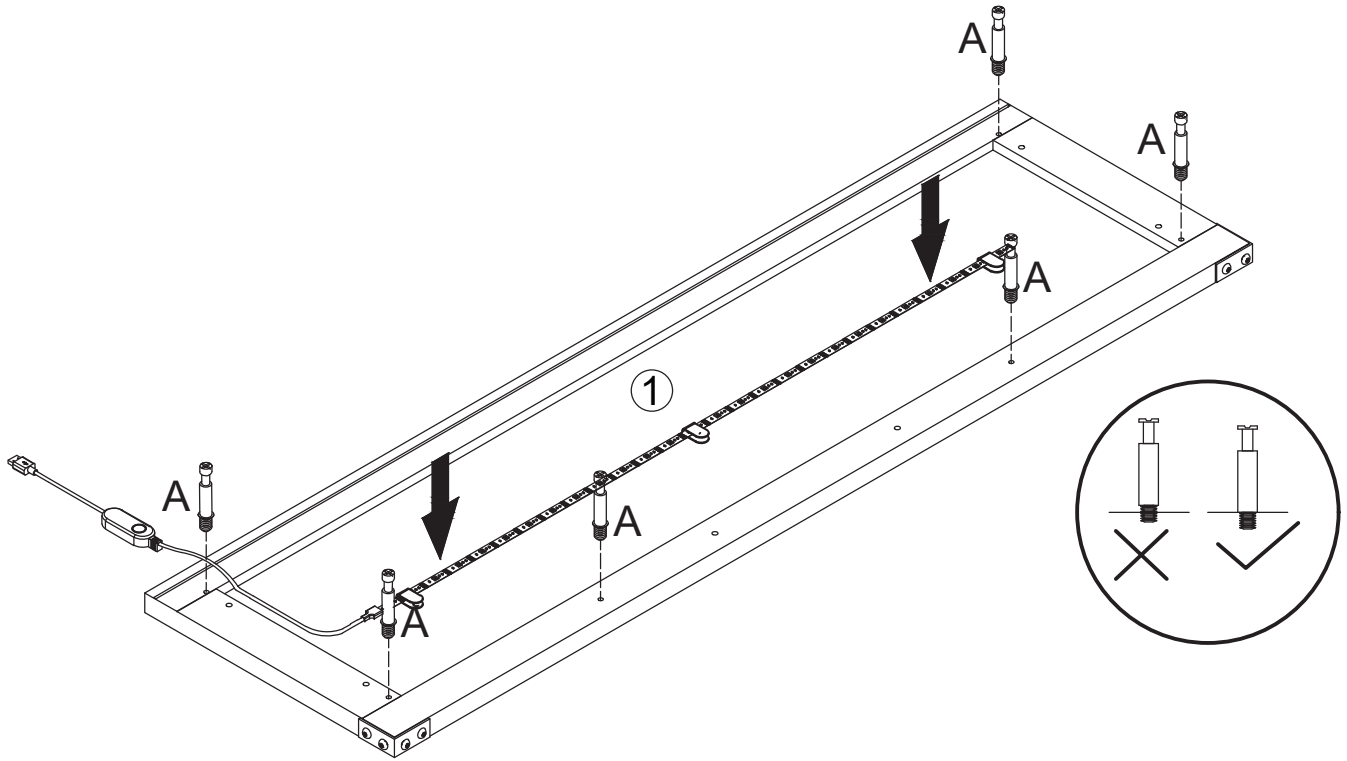
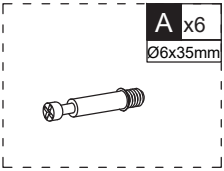




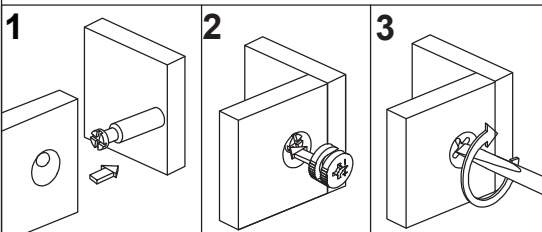
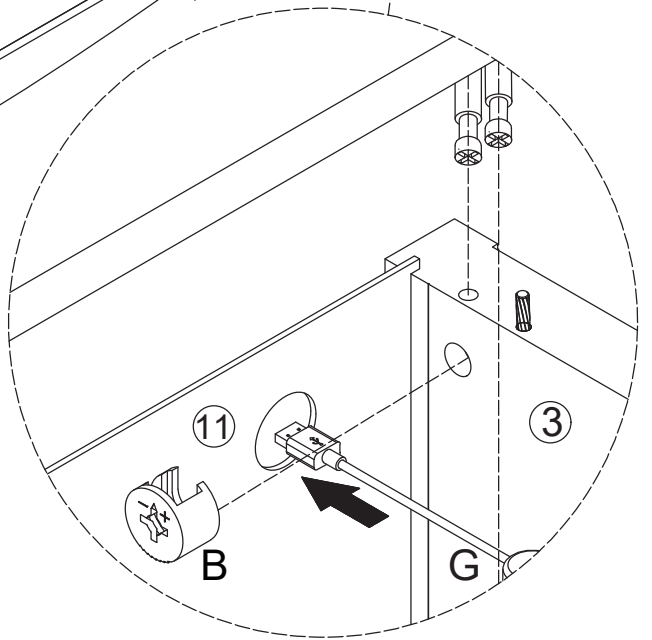
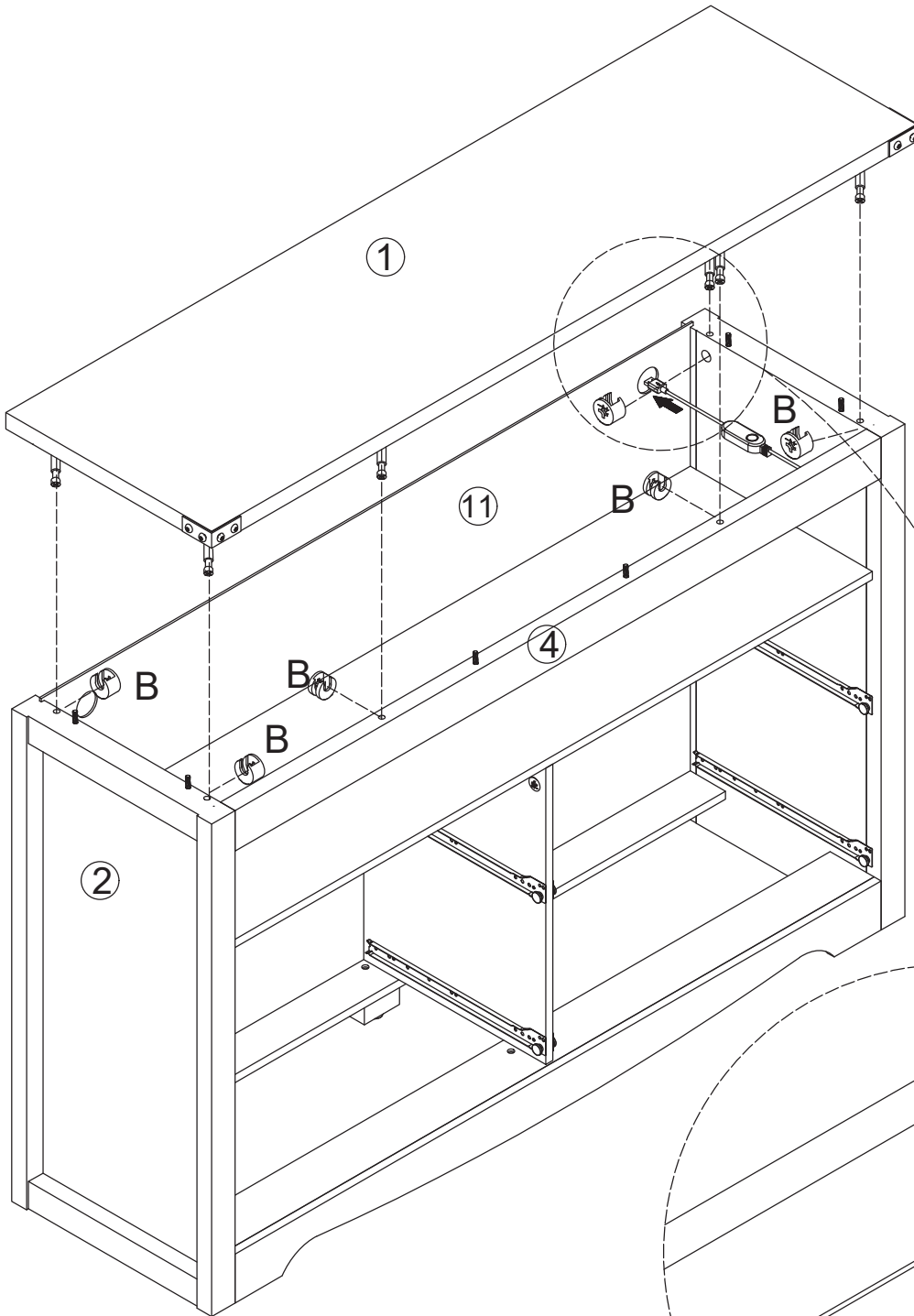


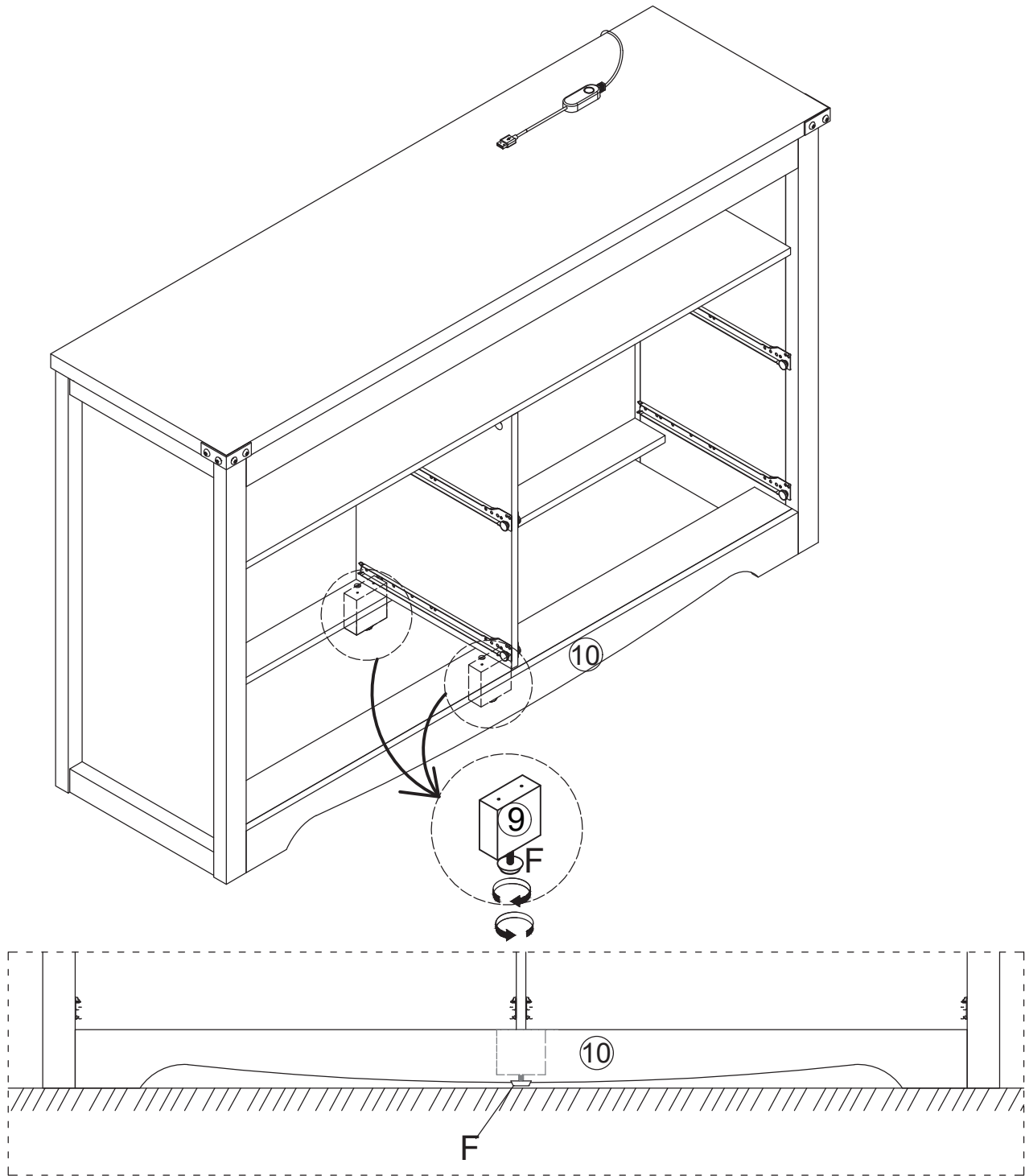
Tear off the back adhesive tape of one of the light strips



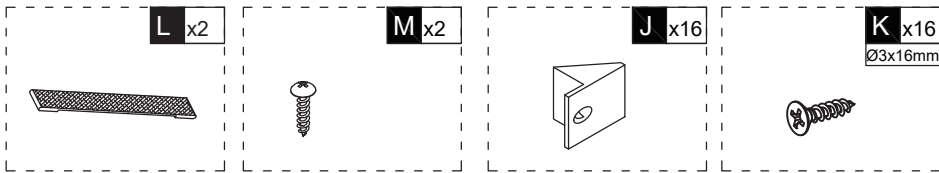


B x6
Ø15x10mm

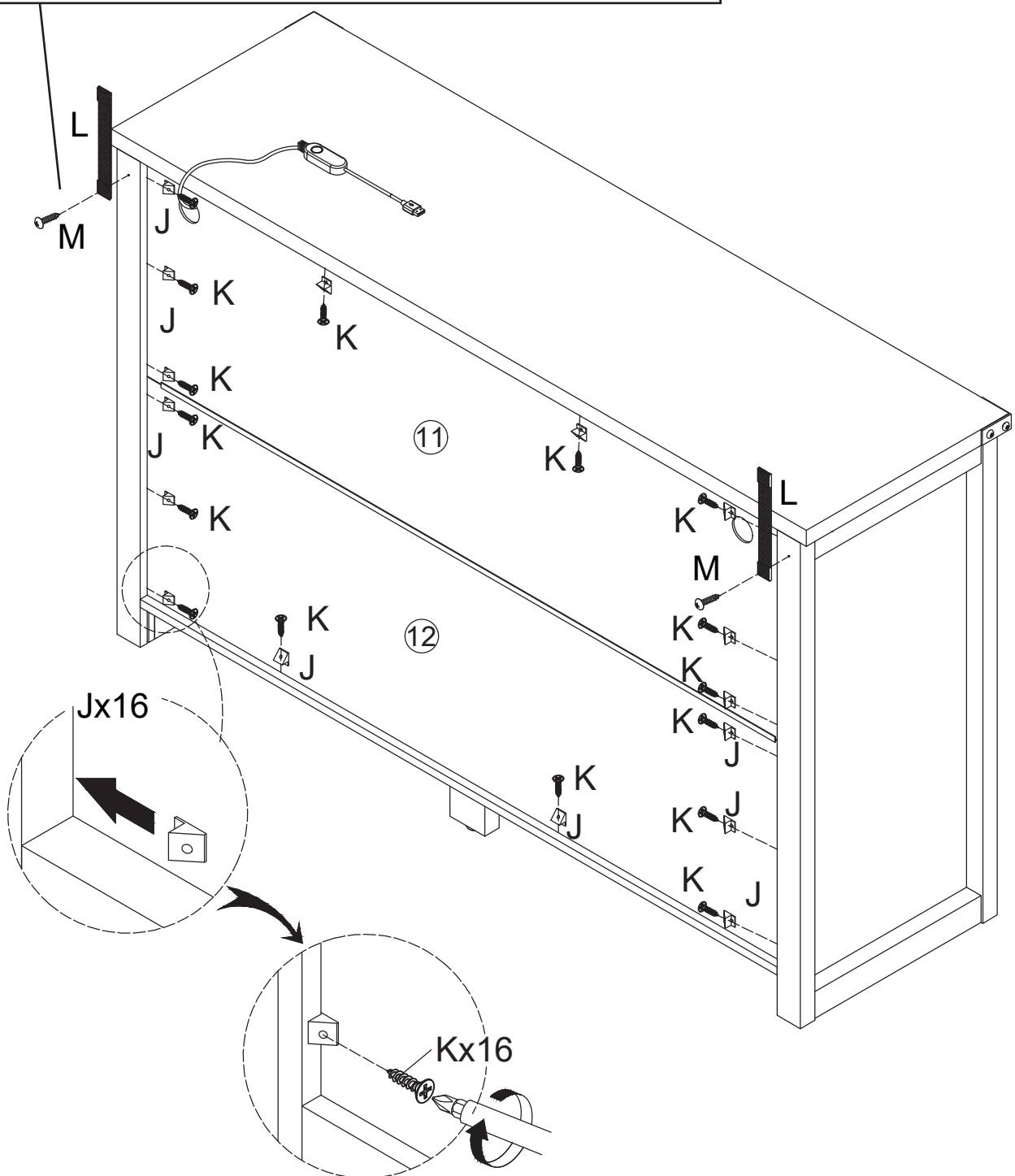




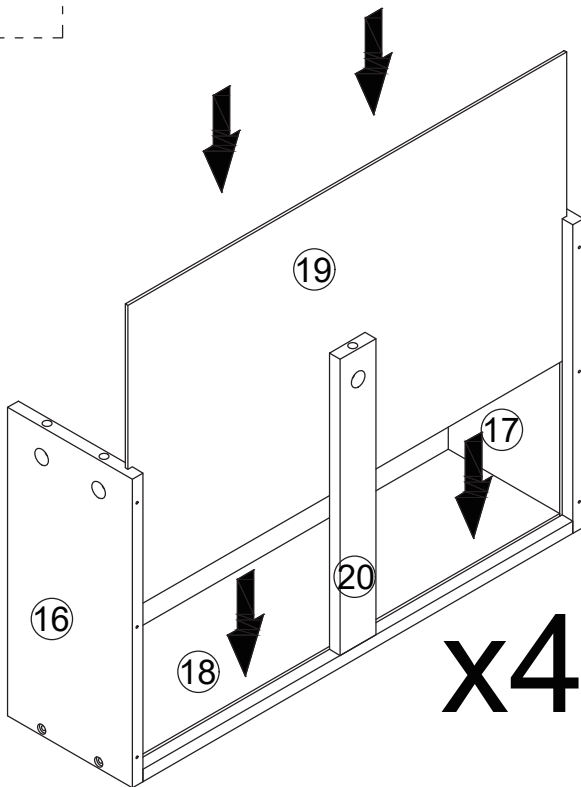
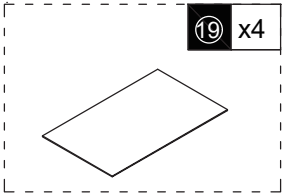
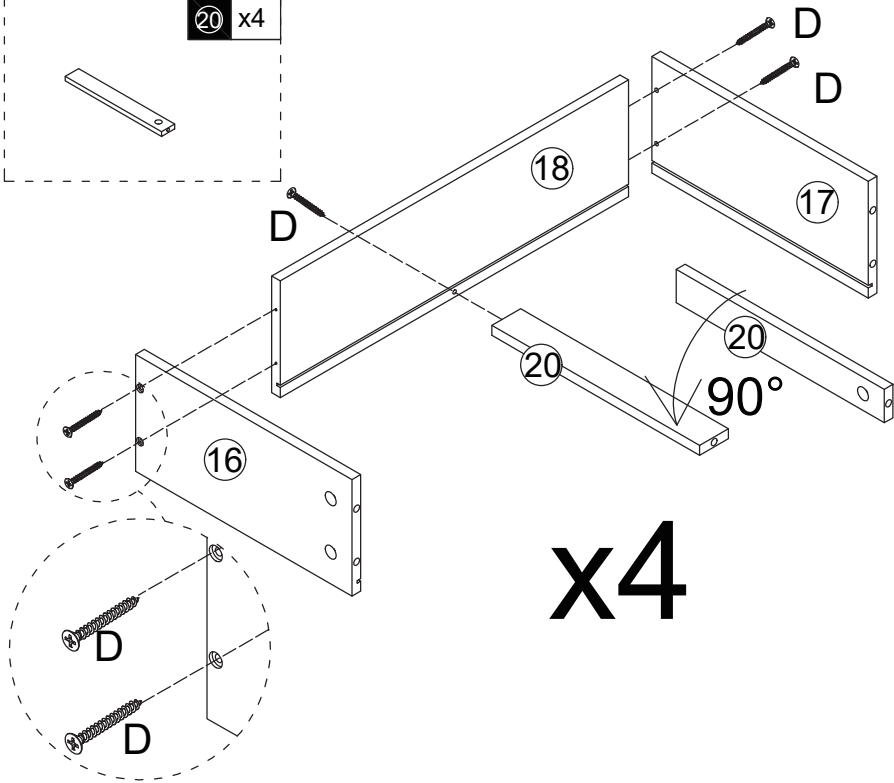
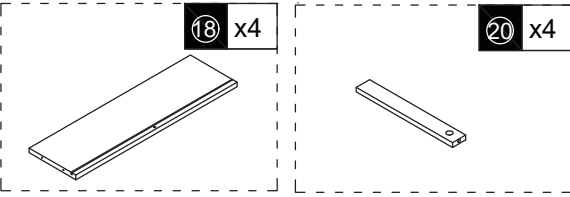
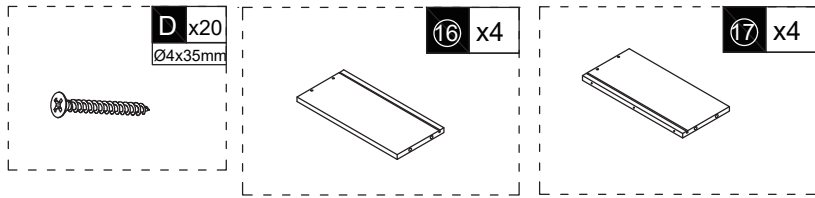
When the cabinet is not stable with the ground, please rotate the accessory F under the No. 9 board

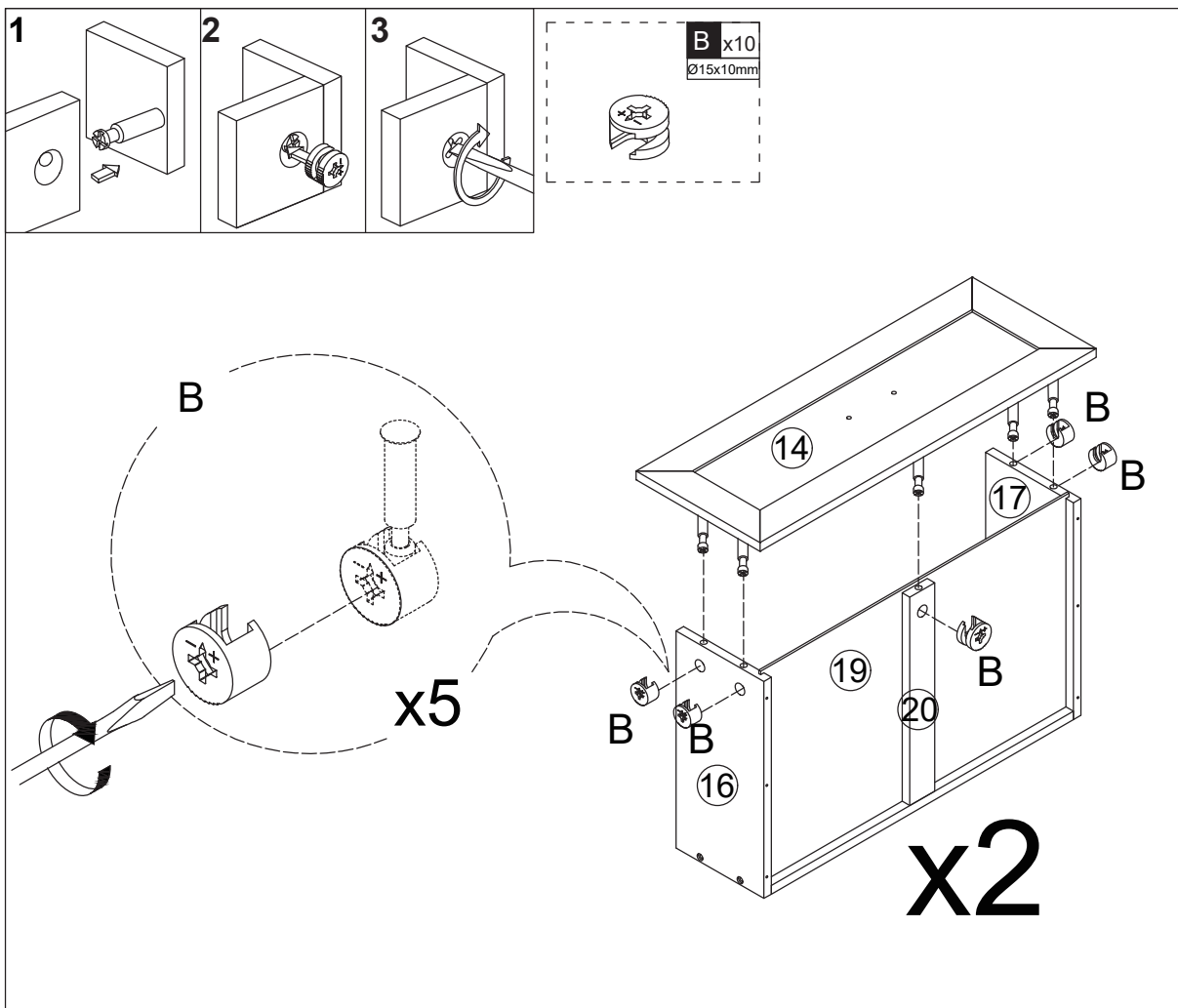
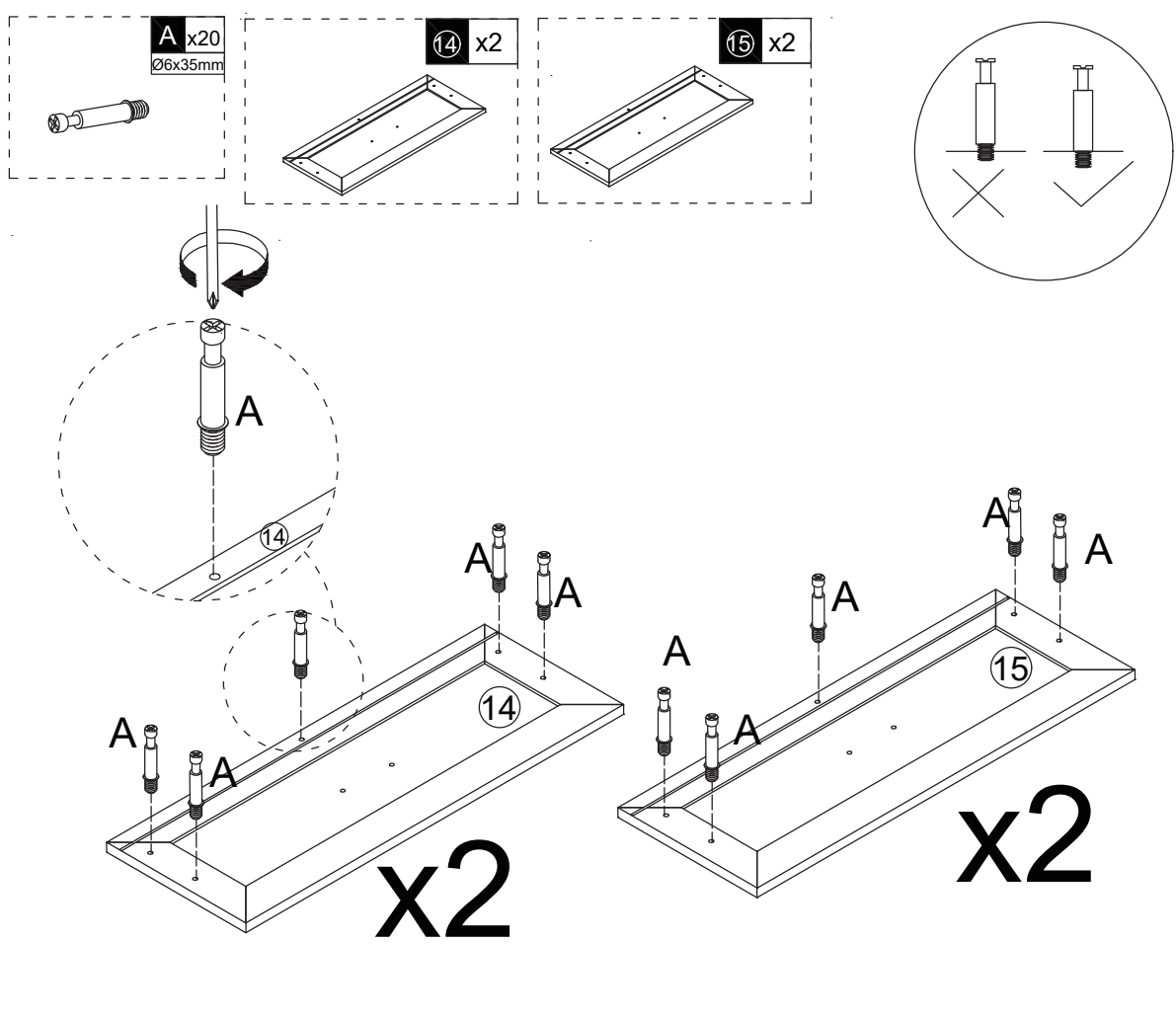


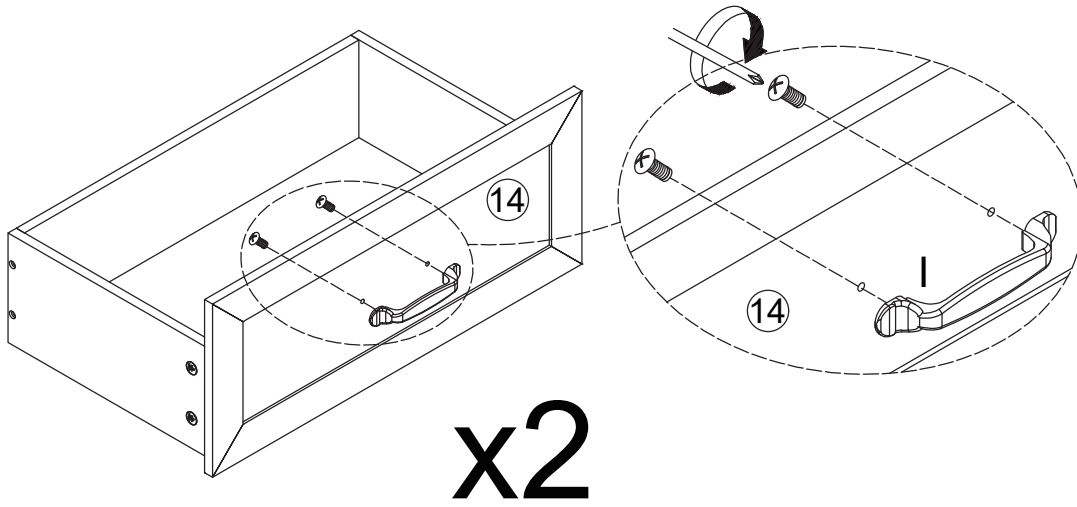
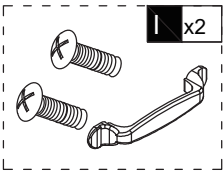
Fasten Anti-tip tape L to the back of the cabinet by Screw M to prevent the dresser from tipping over.



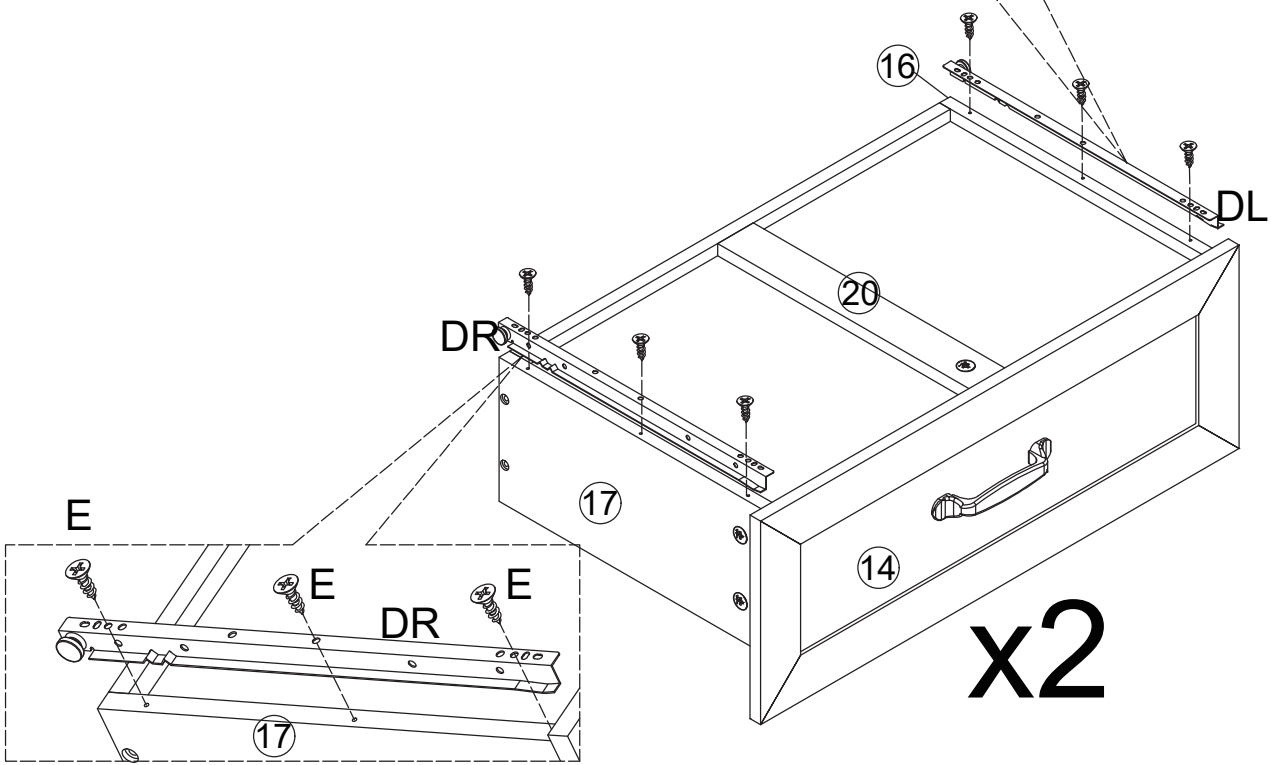
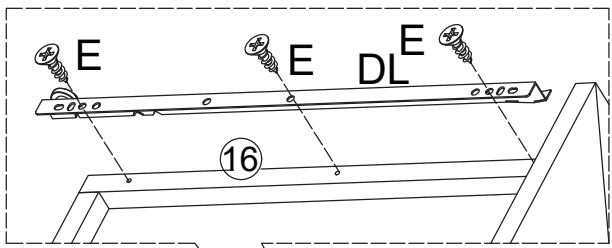
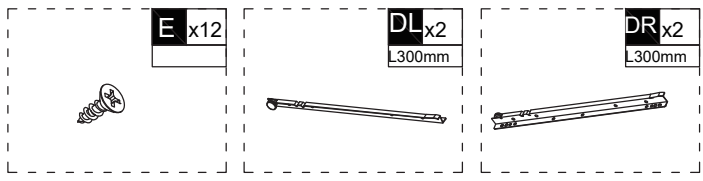
Lock the back panel buckle (J) with screws (K) to the back of the cabinet to reinforce its stability!



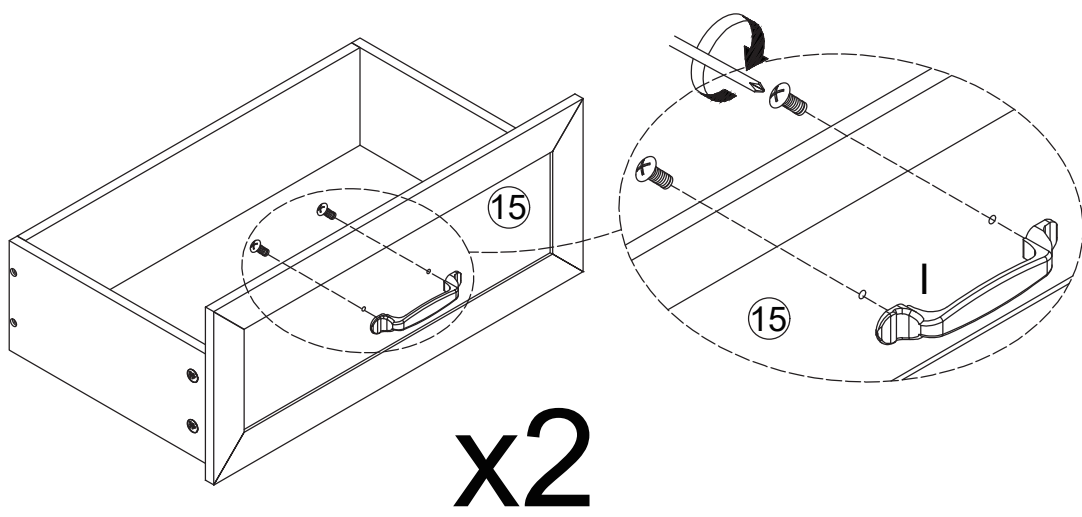
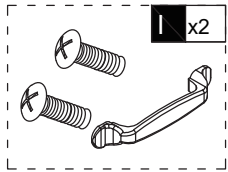
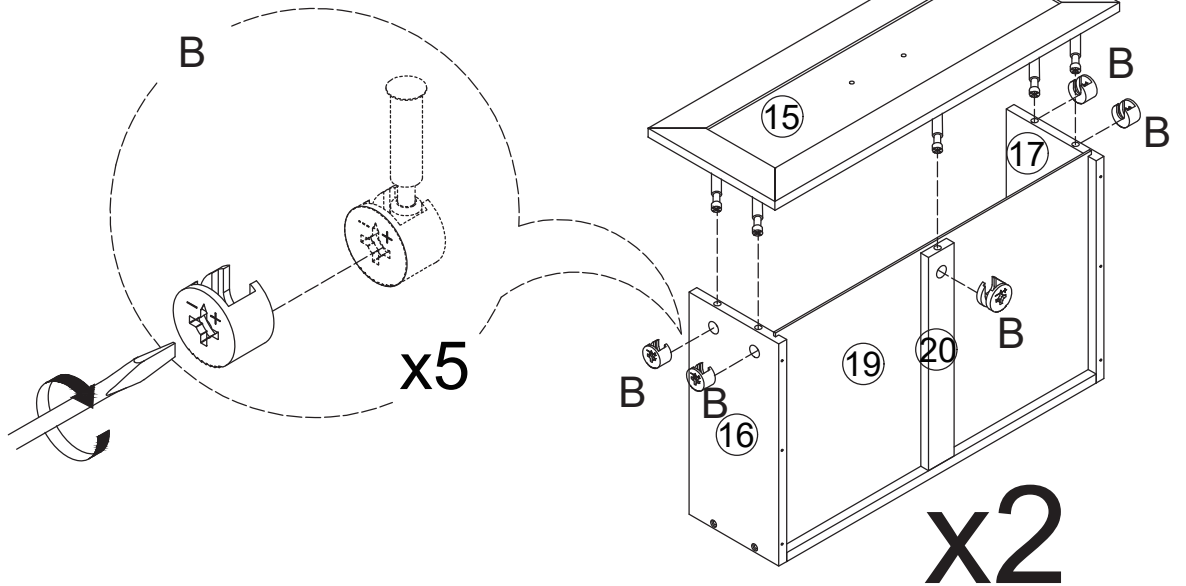
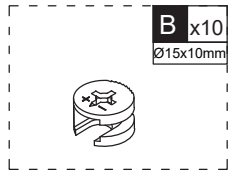
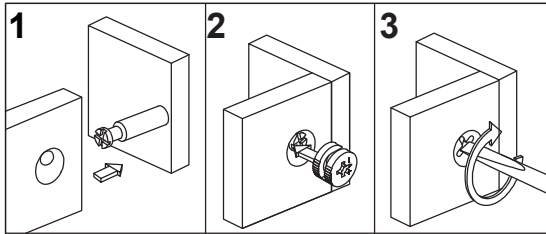


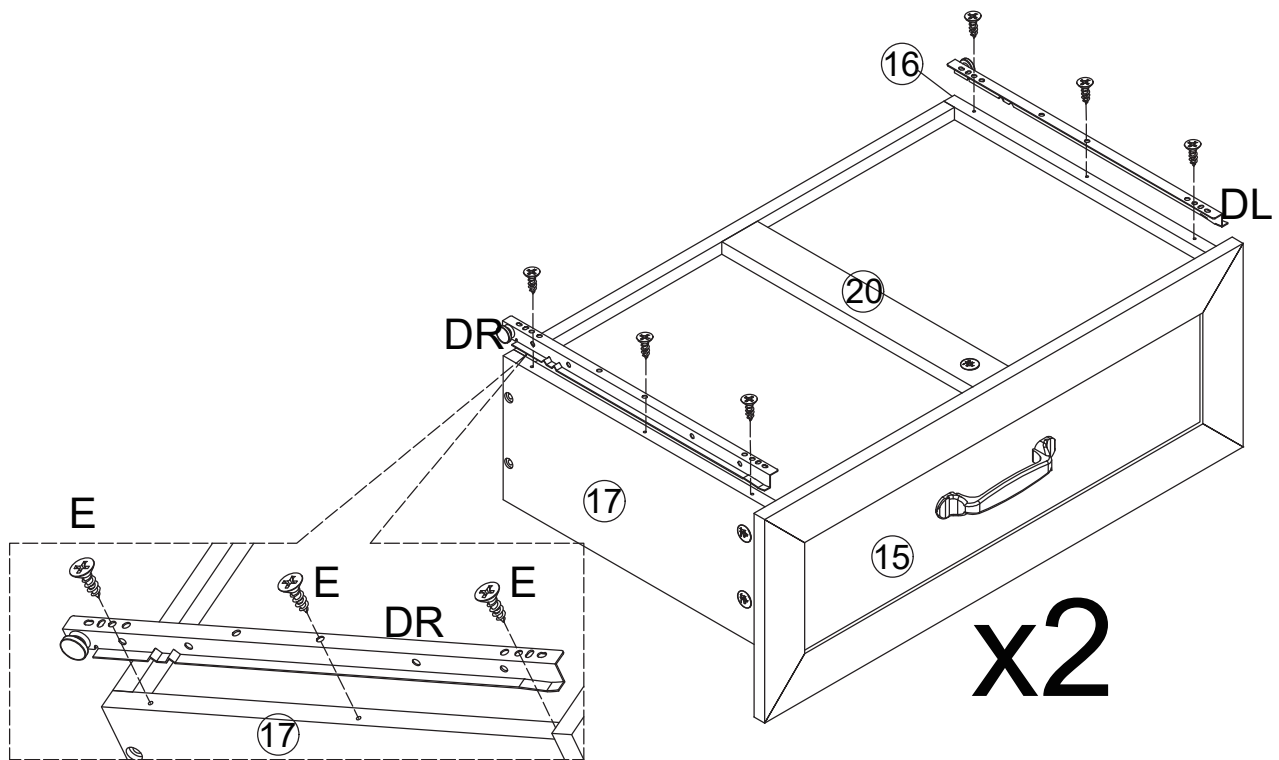
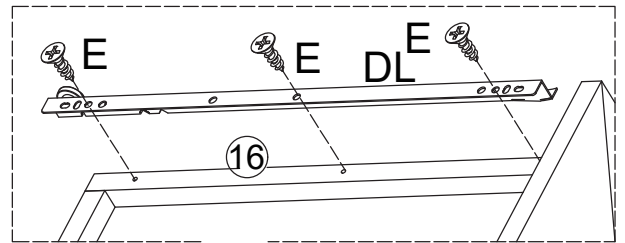
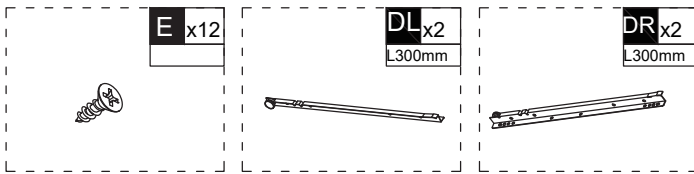


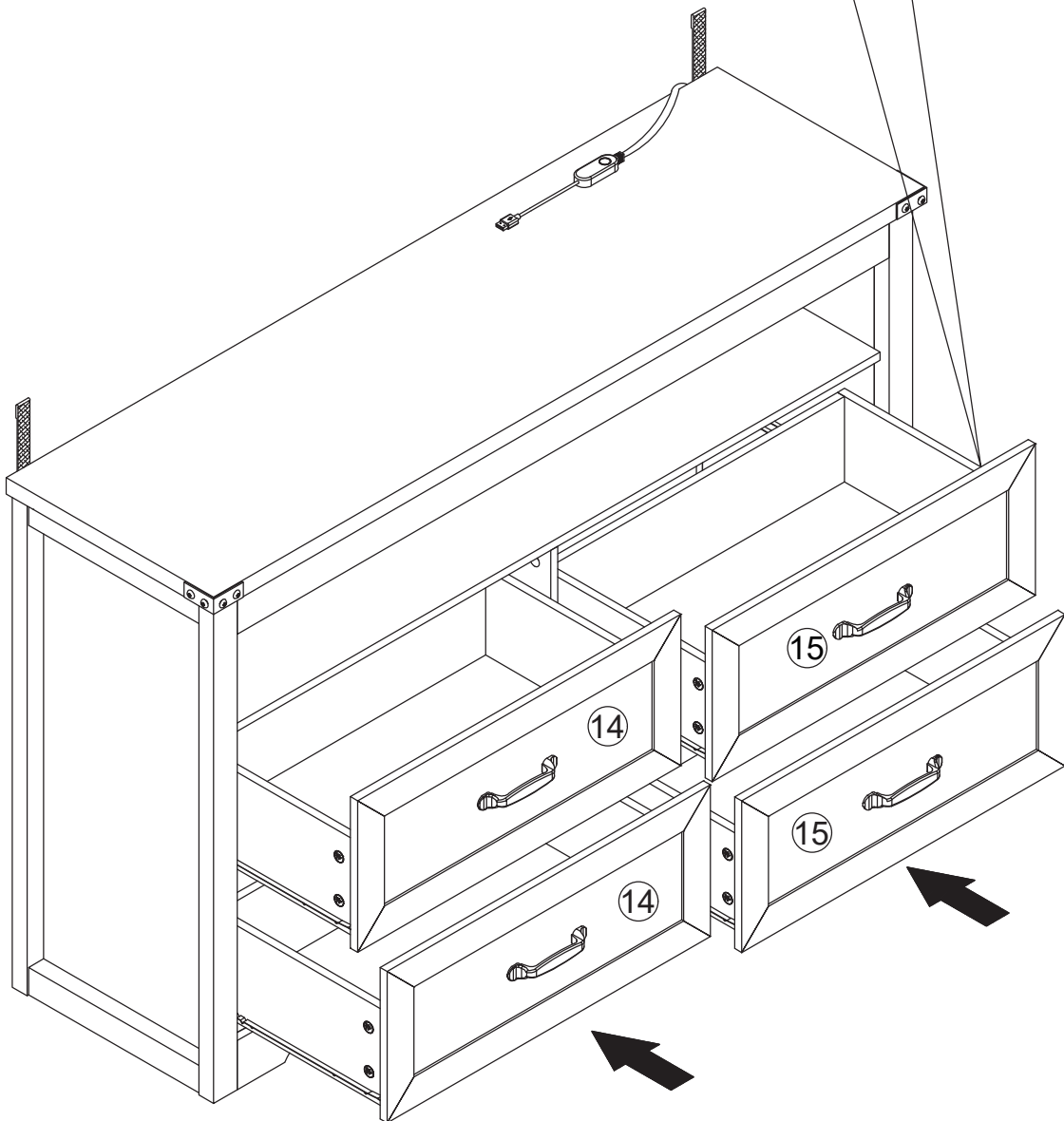
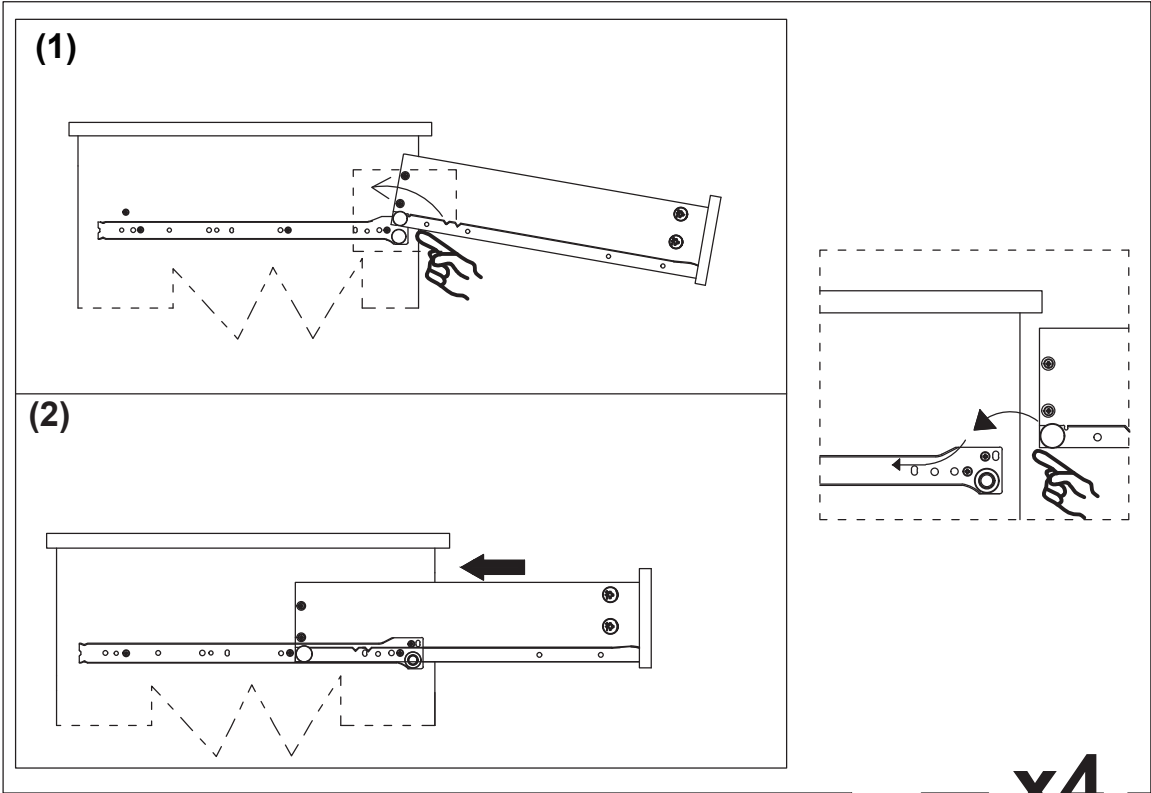
x2

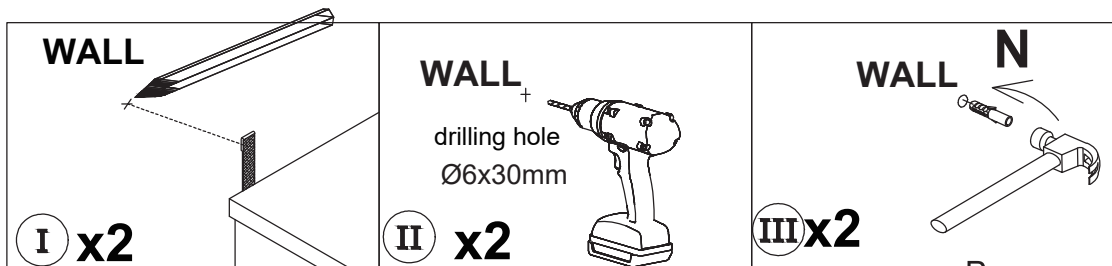
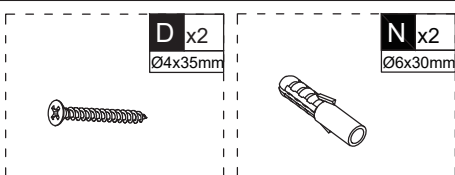


x2









Power supply

WALL

- (1) Please mark two locations for drilling holes on the wall based on the actual situation of the cabinet and the user.
- (2) Choose the size of the drill bit according to the size of the accessory (N), and use an electric drill to drill the size of the accessory (N) on the wall.
- (3) Use a hammer to hammer the accessory (N) onto the position of the electric drill just now.
- (4) Place the cabinet in the appropriate position and use screws (D) to pass through the anti tipping cloth strip (L) and lock it with the accessory (N) to prevent the cabinet from tipping over!

