

## **ASSEMBLY INSTRUCTIONS** **2 DRAWER BEDSIDE OAK**

---

**IMPORTANT : READ THESE INSTRUCTIONS CAREFULLY BEFORE ATTEMPTING TO ASSEMBLE OR USE YOUR 2 DRAWER BEDSIDE OAK.**

**PLEASE KEEP THESE INSTRUCTIONS FOR FUTURE REFERENCE.**

### **ASSEMBLY:**

Assembly should be carried out with this item laying flat, not standing upright.

Assemble on a soft, clean surface to prevent damages.

To erase the numbers printed on the pieces, use the rubber inside the accessories pack.

### **HEALTH & SAFETY:**

**DO NOT** use this product if any parts are missing, damaged or worn.

**DO NOT** use this product unless all fixings are secured.

Always use on a level, even surface.

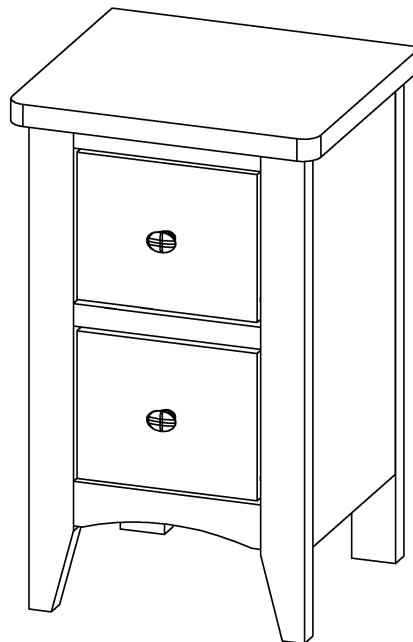
### **CARE & MAINTENANCE:**

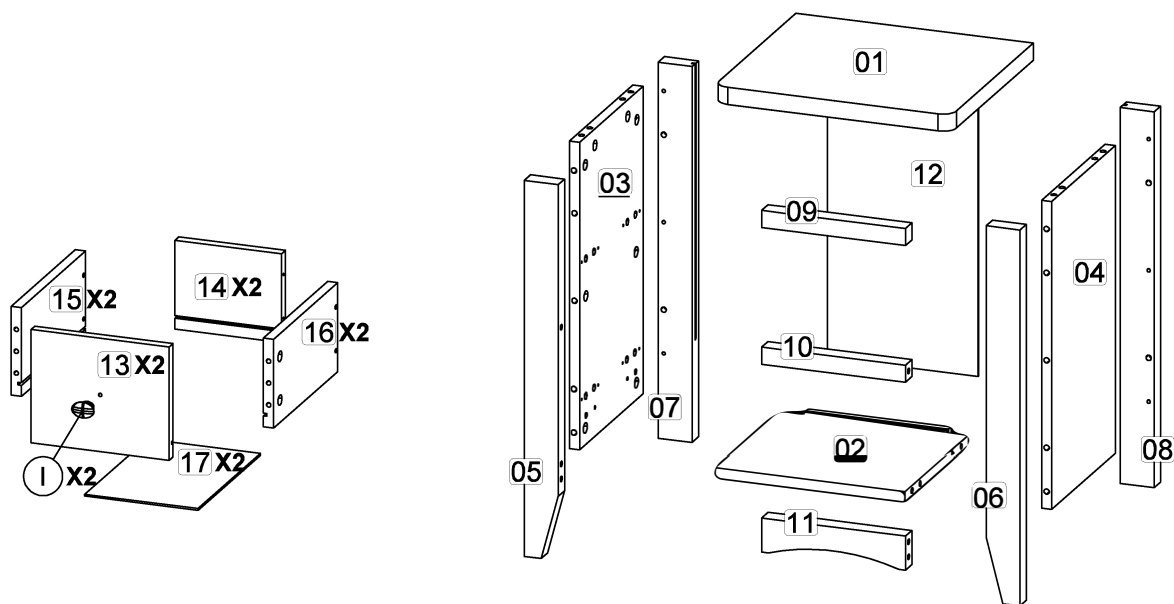
Periodically check all screws & fixings to ensure they are secure.

**DO NOT** push this product as this will cause damage.

Always lift this product with two people to repositions.

Keep any sharp objects away from this product.










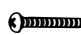




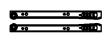




### Parts List

Part	Description	Box	Qty
01	Top panel	1	1
02	Bottom panel	1	1
03	Side panel ( Left )	1	1
04	Side panel ( Right )	1	1
05	Front leg ( Left )	1	1
06	Front leg ( Right )	1	1
07	Back leg ( Left )	1	1
08	Back leg ( Right )	1	1
09	Front bar ( 1 )	1	1
10	Front bar ( 2 )	1	1
11	Leg panel	1	1
12	Back panel	1	1
13	Drawer front	1	2
14	Drawer back	1	2
15	Drawer side ( Left )	1	2
16	Drawer side ( Right )	1	2
17	Drawer bottom	1	2

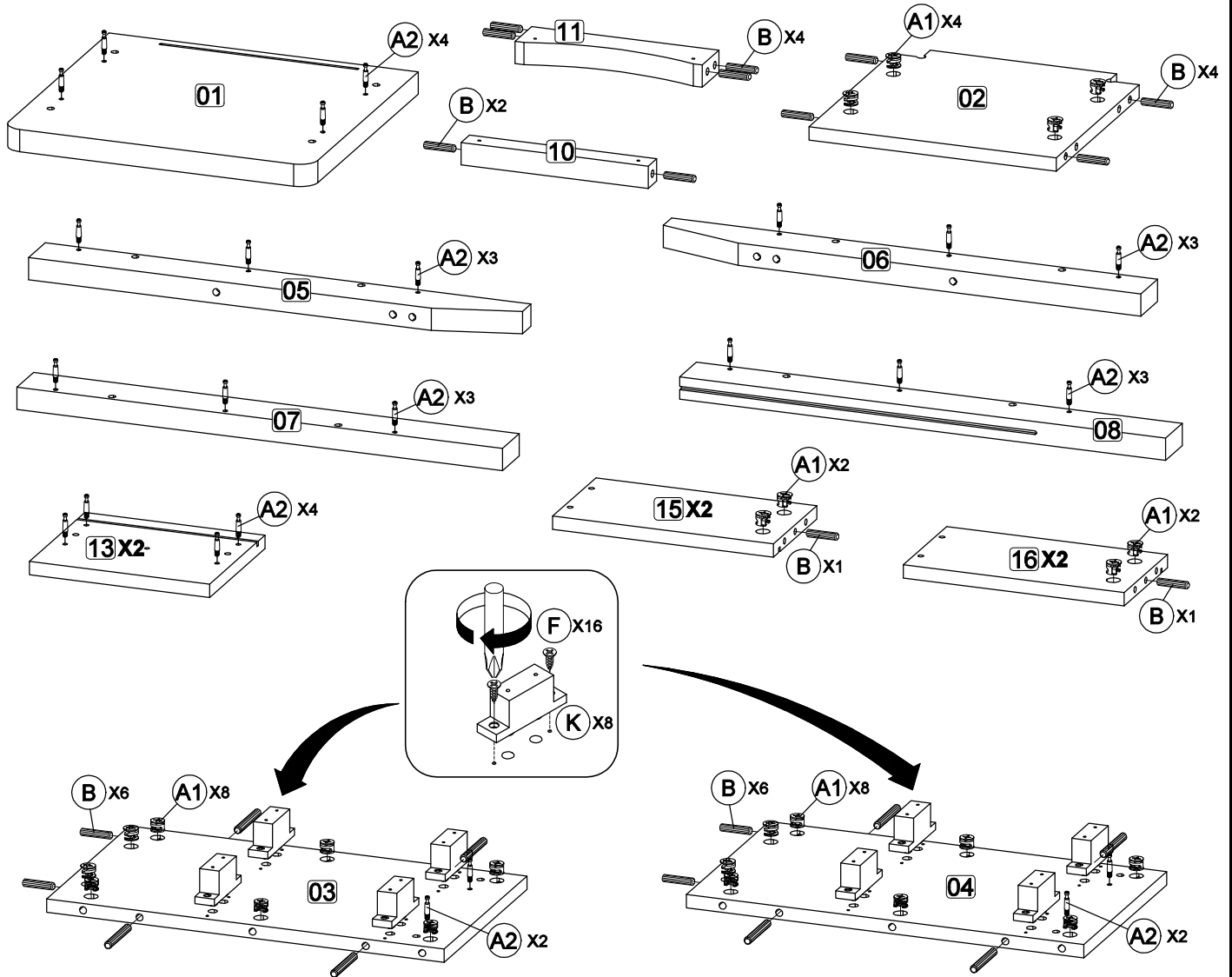
### Hardware List ( BOX 1 )

Part	Description	Qty
A1	Cam lock 	28
A2	Minifix screw 	28
A3	Plastic cap 	28
B	M8 x 30mm Wood Dowel 	26
C	5/8 PVC Nail Leg 	4
D	Allen key M4 	1
E	M3.5 x 16mm C.B Screw 	32
F	M4 x 20mm C.B Screw 	16
G	M4 x 38mm C.B Screw 	8
H	Handle Screw M4 x 22mm 	2
I	Handle Knob 5166028 SS 	2
J	S125 - Double Hole Fitting 	6
K	PVC Block 	8
L1	10" Drawer slide (Left / Right) 	4
L2	10" Drawer slide (Left / Right) 	4

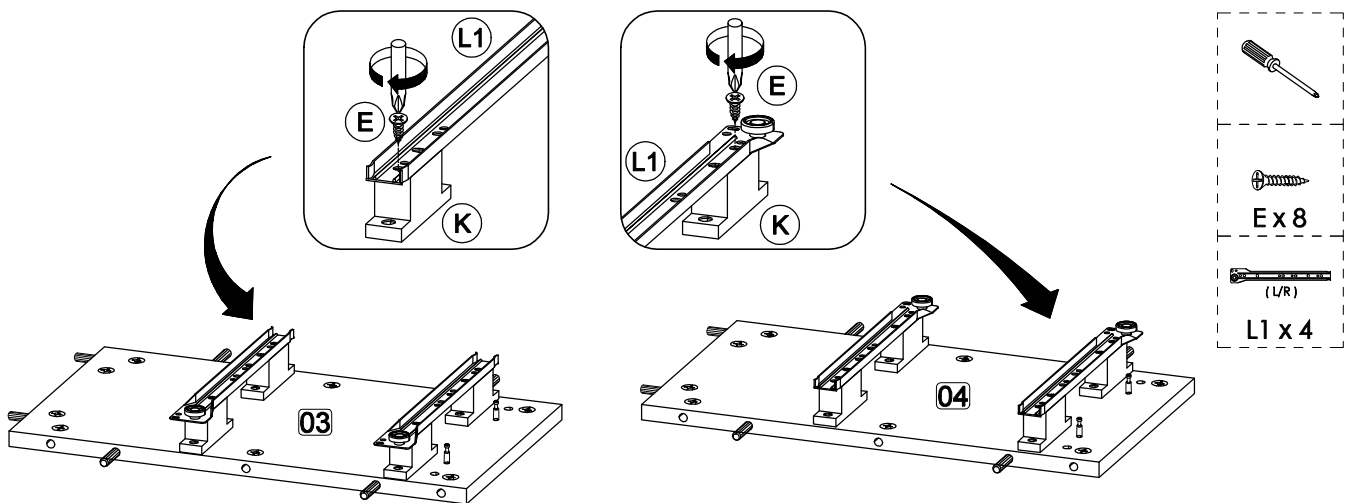
**\*\* You will need a small mallet and a screwdriver for assembly.**

**\*\* Some screws and wooden dowel may remain.**

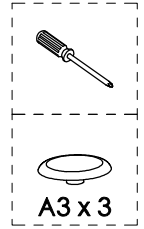
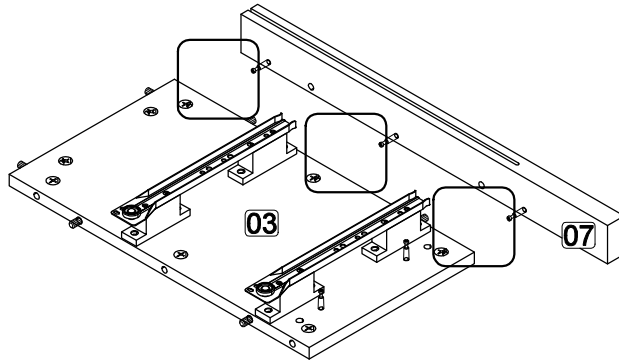
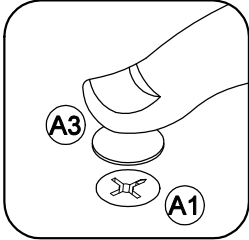
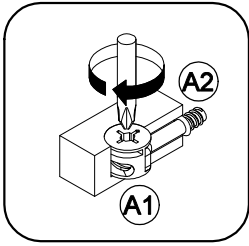
**Step 1: Prepare these parts for assembly using hardware parts A1, A2, B, F and K.**  
**DO NOT use any power tools as this may damage the frame and will invalidate any claim.**



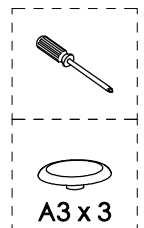
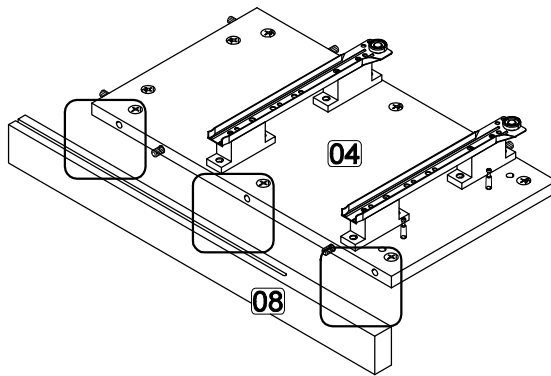
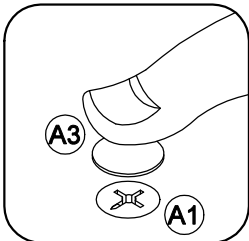
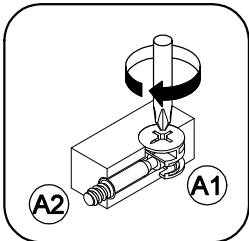
**Step 2: Fix hardware L1 onto hardware K by using hardware E.**  
**DO NOT use any power tools as this may damage the frame and will invalidate any claim.**



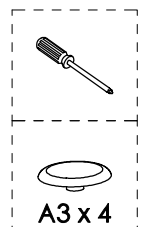
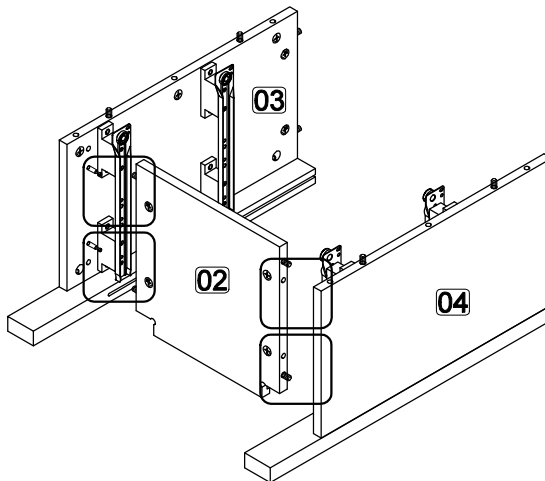
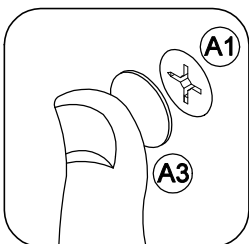
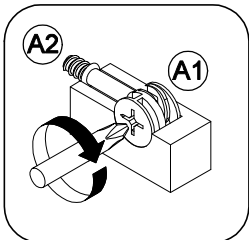
**Step 3: Attach back leg (7) to side panel (3) using hardware A1 and A2 with a screwdriver (not provided).  
DO NOT use any power tools as this may damage the frame and will invalidate any claim.**



**Step 4: Attach back leg (8) to side panel (4) using hardware A1 and A2 with a screwdriver (not provided).  
DO NOT use any power tools as this may damage the frame and will invalidate any claim.**

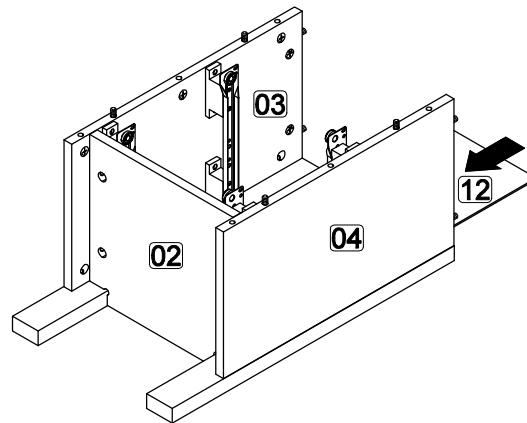


**Step 5: Attach side panel (3) and (4) to bottom panel (2) using hardware A1 and A2 with a screwdriver (not provided).  
DO NOT use any power tools as this may damage the frame and will invalidate any claim.**



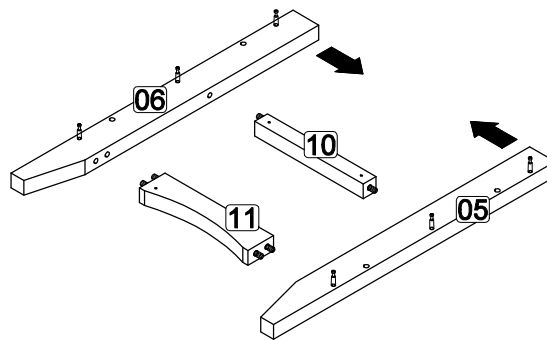
**Step 6:** Insert back panel (12) along the slot.

**DO NOT use any power tools as this may damage the frame and will invalidate any claim.**



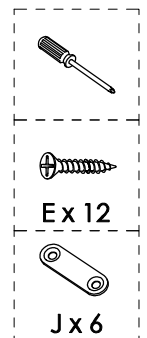
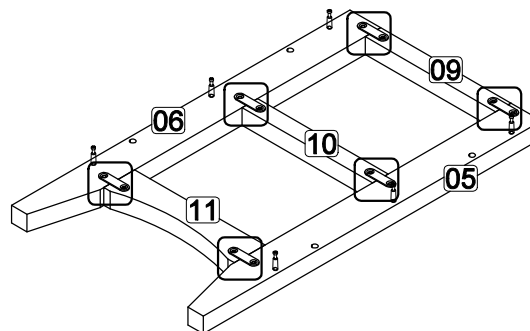
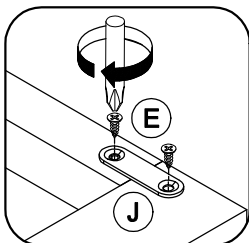
**Step 7:** Attach front leg (5) and (6) to front bar (10) and leg panel (11).

**DO NOT use any power tools as this may damage the frame and will invalidate any claim.**



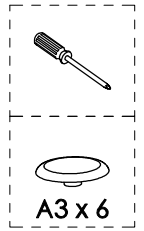
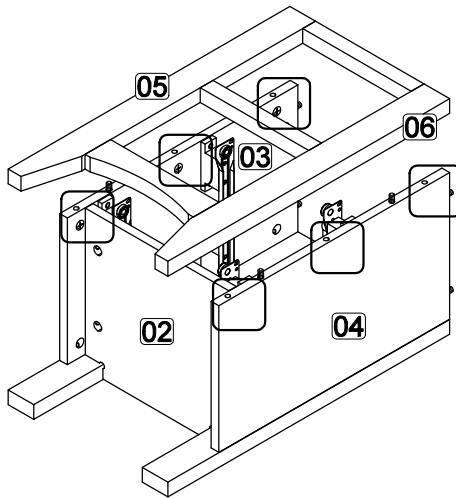
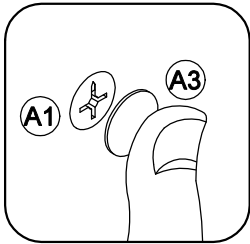
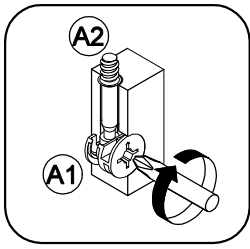
**Step 8:** Fix hardware J into front leg (5), (6), front bar (9), (10) and leg panel (11) using hardware E with a screwdriver (not provided).

**DO NOT use any power tools as this may damage the frame and will invalidate any claim.**



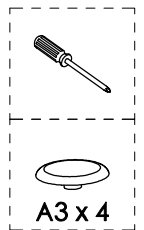
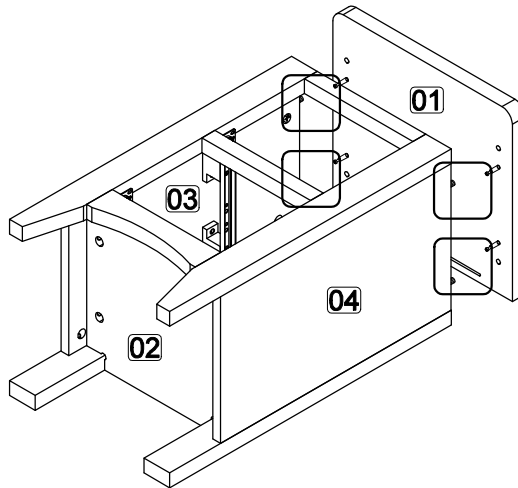
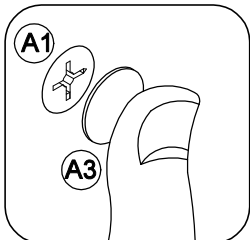
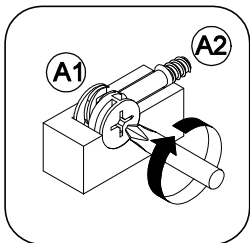
**Step 9: Attach front leg (5) and (6) to side panel (3) and (4) using hardware A1 and A2 with a screwdriver (not provided).**

**DO NOT use any power tools as this may damage the frame and will invalidate any claim.**



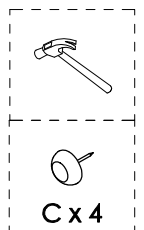
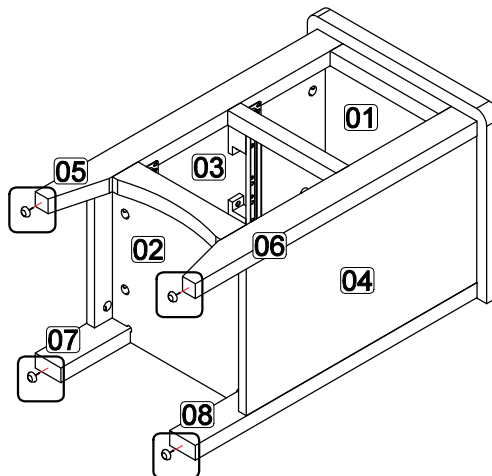
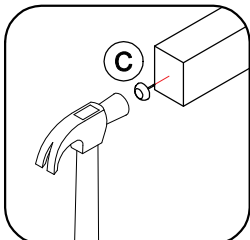
**Step 10: Attach top panel (1) to side panel (3) and (4) using hardware A1 and A2 with a screwdriver (not provided).**

**DO NOT use any power tools as this may damage the frame and will invalidate any claim.**



**Step 11: Hit hardware C into bottom of front leg (5), (6), back leg (7) and (8).**

**DO NOT use any power tools as this may damage the frame and will invalidate any claim.**

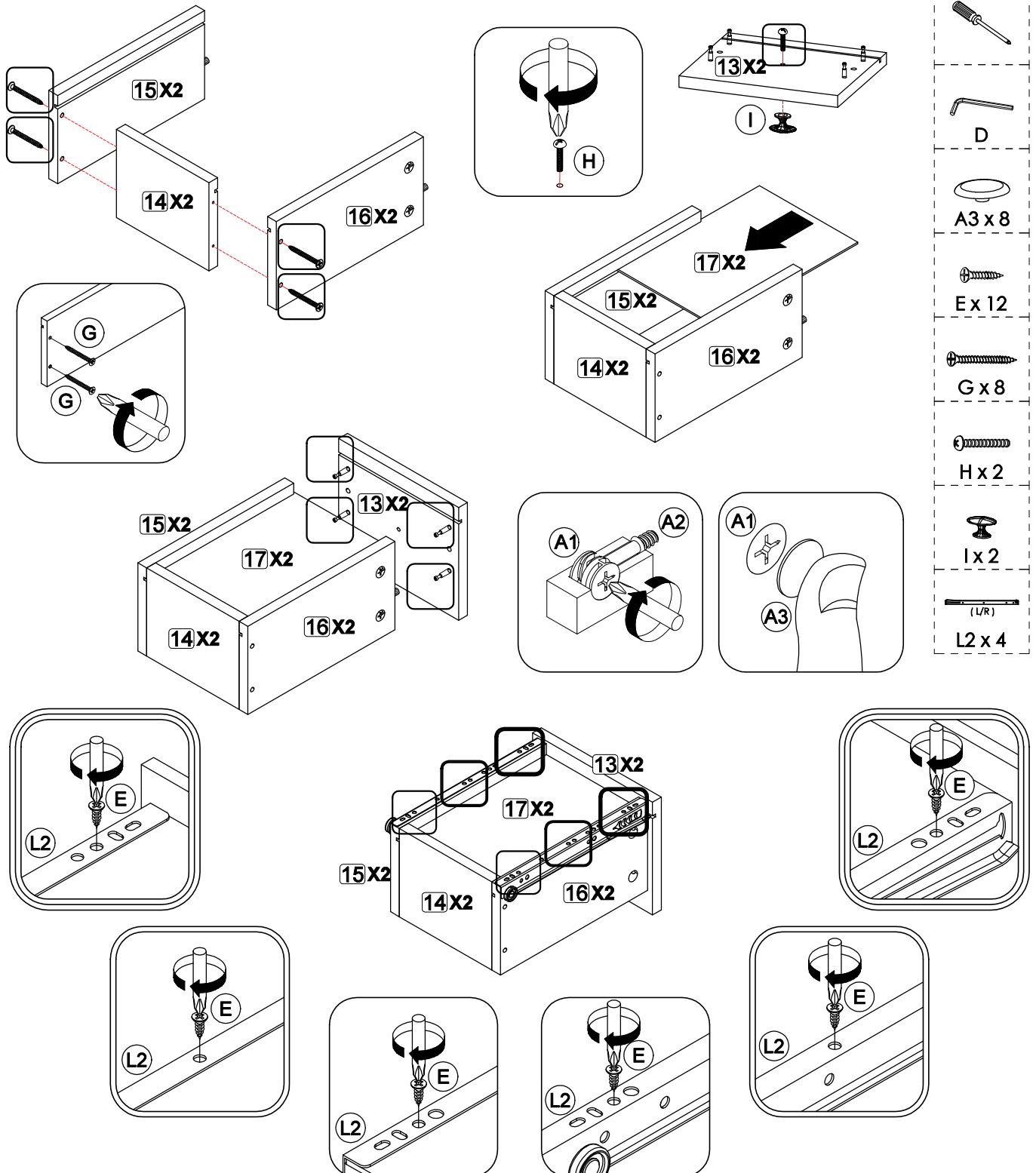


**Step 12: Assemble the drawer components using hardware A3, D, E, G, H, I and L2.**

In this step only show one of the drawers.

**DO NOT use any power tools as this may damage the frame and will invalidate any claim.**

1. Fix hardware I onto panel (13) by using hardware H.
2. Attach drawer side (15) and (16) to drawer back (14) using hardware (G).
3. Slide in the drawer bottom (17).
4. Attach drawer front (13) to drawer side (15) and (16) using hardware A1 and A2 with a screwdriver (not provided).
5. Attach hardware (L2) to drawer sides (15) and (16) using hardware (E).



**Step 13: Assemble the drawers in place along the drawer slides.**  
**DO NOT use any power tools as this may damage the frame and will invalidate any claim.**

