

## Care and Maintenance

Dust with a soft, dry cloth. Do not use abrasive cleaner. To clean mirror, spray a small amount of glass cleaner onto a lint-free cloth and wipe mirror clean.





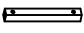


## Notice

\* Please make sure that you have all parts indicated before you begin assembly of this item.

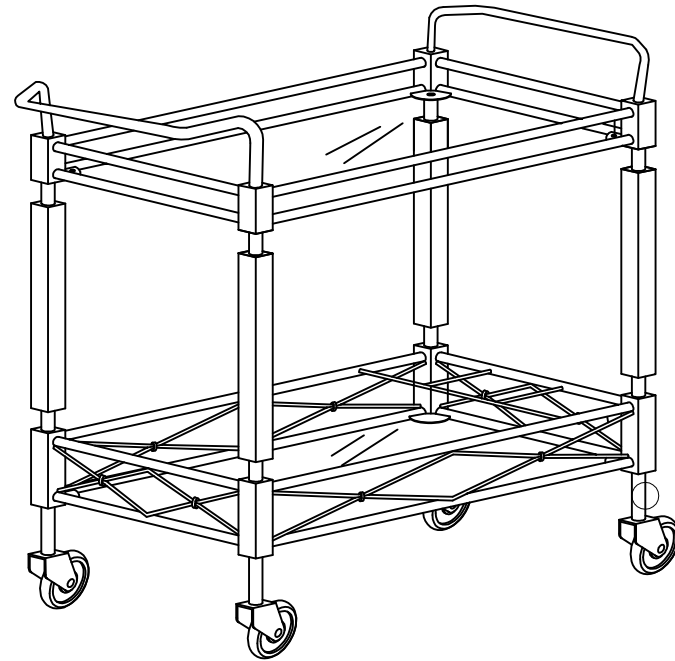
\* This item should be assembled on a soft surface to prevent scratching the finish during assembly

\* This item may require periodic tightening

## Part List and Hardware List

PIECE	DESCRIPTION	PICTURE	QUANTITY	PIECE	DESCRIPTION	PICTURE	QUANTITY
A	Top Frame		1X	E	Bolt		8X
B	Bottom Frame		1X	F	Pad		8X
C	Leg		4X	G	Wheel		4X
D	Glass		2X	H			

Product Dimensions: 31.57"L x 16.06"D x 31.30"H



WEIGHT CAPACITY: 22LBS

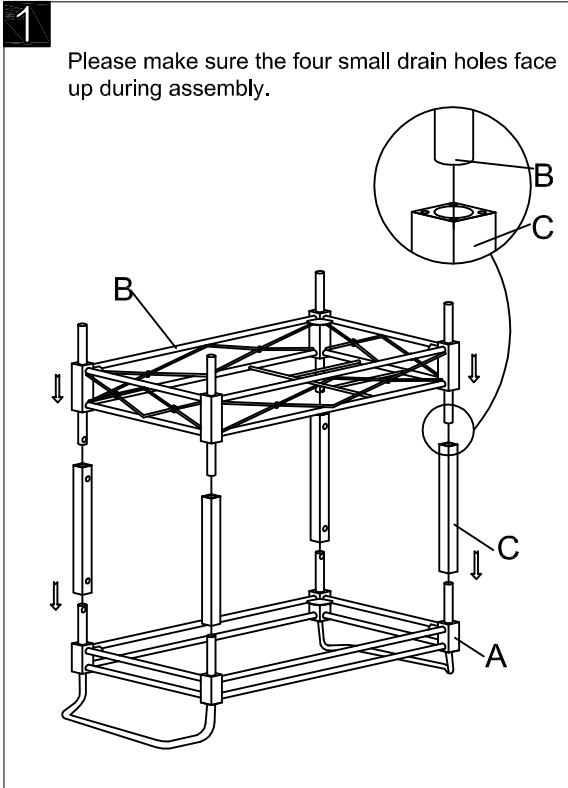
## Preparation

Before beginning assembly of product, make sure all parts are present. Compare parts with package contents list and hardware contents list.

If any part is missing or damaged, do not attempt to assemble the product.

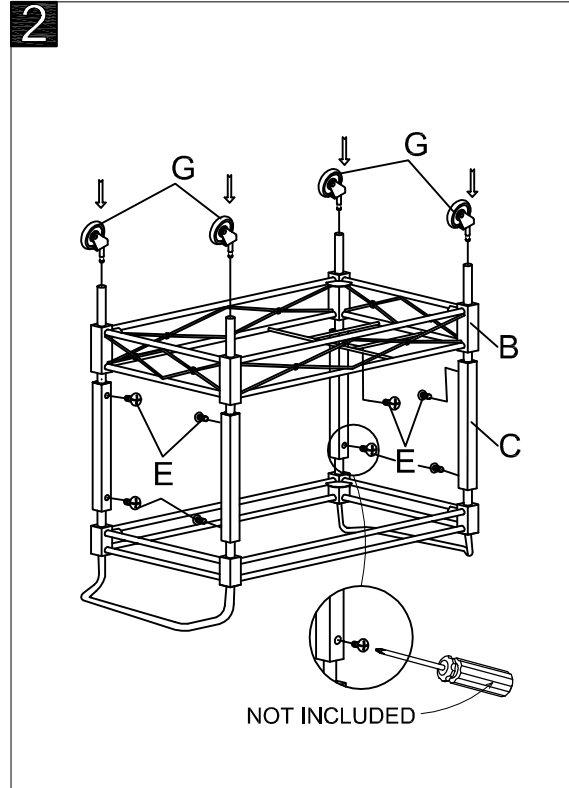
Estimated Assembly Time: 30 minutes.

Tools Required for Assembly (included): Assembly Finial



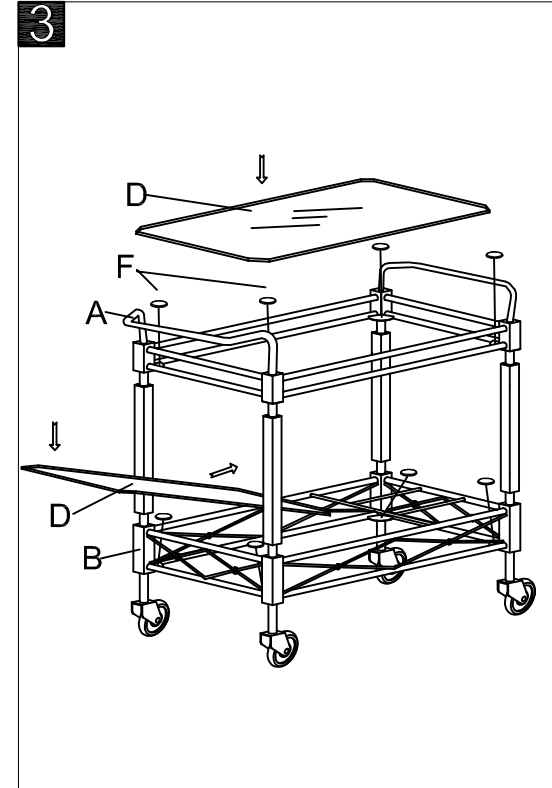
### Step 1

Assemble top frame (A), leg (C) and bottom frame (B) together as shown in drawing.



### Step 2

Screw in bolt (E) onto the holes in leg (C) as shown in drawing by use of screw driver. Insert wheel (G) into bottom frame (B) in drawing.



### Step 3

Put glass pad (F) onto the tabs on the corners. Then place glass (D) onto the subassembly top frame (A) and bottom frame (B).