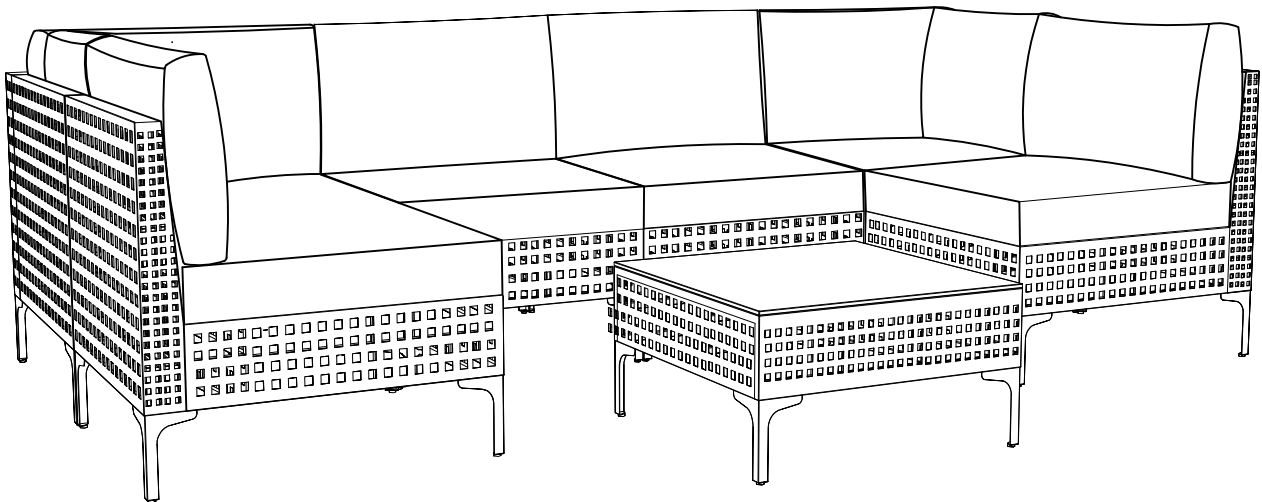


7 PCS SOFA SET



ATTENTION Section:

1.If you encounter any issues, such as missing accessories or damaged parts,please contact us immediately and include pictures

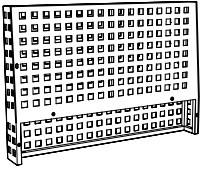
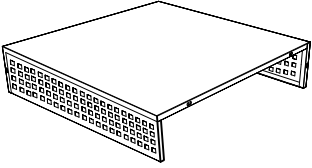
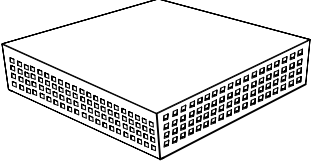
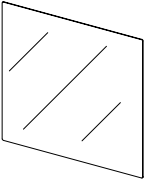
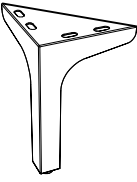
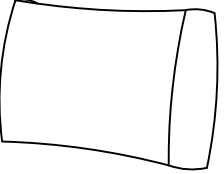
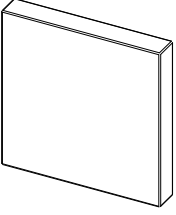
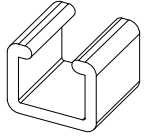
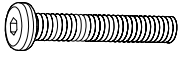
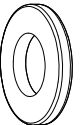

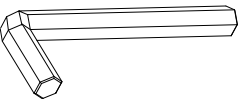
Assembly Instructions:

1. Assembly requires two people to complete.
2. For optimal assembly, we highly recommend using the provided Allen key.
If using a power tool, please set it to a low speed to prevent any damage
3. Do not fully tighten the screws until all screws are properly aligned with their holes.

Back Cushion Notes:

1. The back cushion is vacuum-sealed.After opening the bag, allow some time and fluffing for the cushion to return to its original thickness.
2. Fluff and shake the cushion to restore its original thickness before use.

PARTS LIST OF BOX C

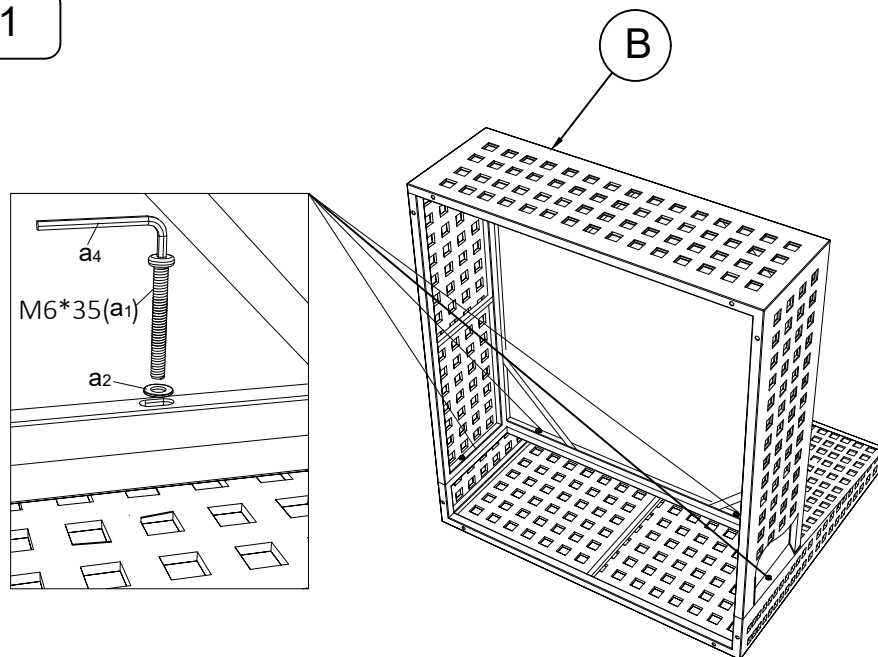
<p>D</p>  <p>BACK OF MIDDLE SOFA 2pcs</p>	<p>E</p>  <p>SEAT BOARD OF MIDDLE SOFA 2pcs</p>	<p>Q</p>  <p>TABLE TOP 1pc</p>	<p>I</p>  <p>GLASS 1pc</p>
<p>F</p>  <p>LEG 12pcs</p>	<p>H</p>  <p>CUSHION FOR BACK 2pcs</p>	<p>L</p>  <p>CUSHION FOR SEAT 2pcs</p>	<p>M</p>  <p>U-Shaped Connector 2pcs</p>
<p>a1</p>  <p>M6x35 8pcs</p>	<p>a2</p>  <p>GASKET 56pcs</p>	<p>a3</p>  <p>M6x15 48pcs</p>	<p>a4</p>  <p>ALLEN KEY 1pc</p>

Middle Sofa



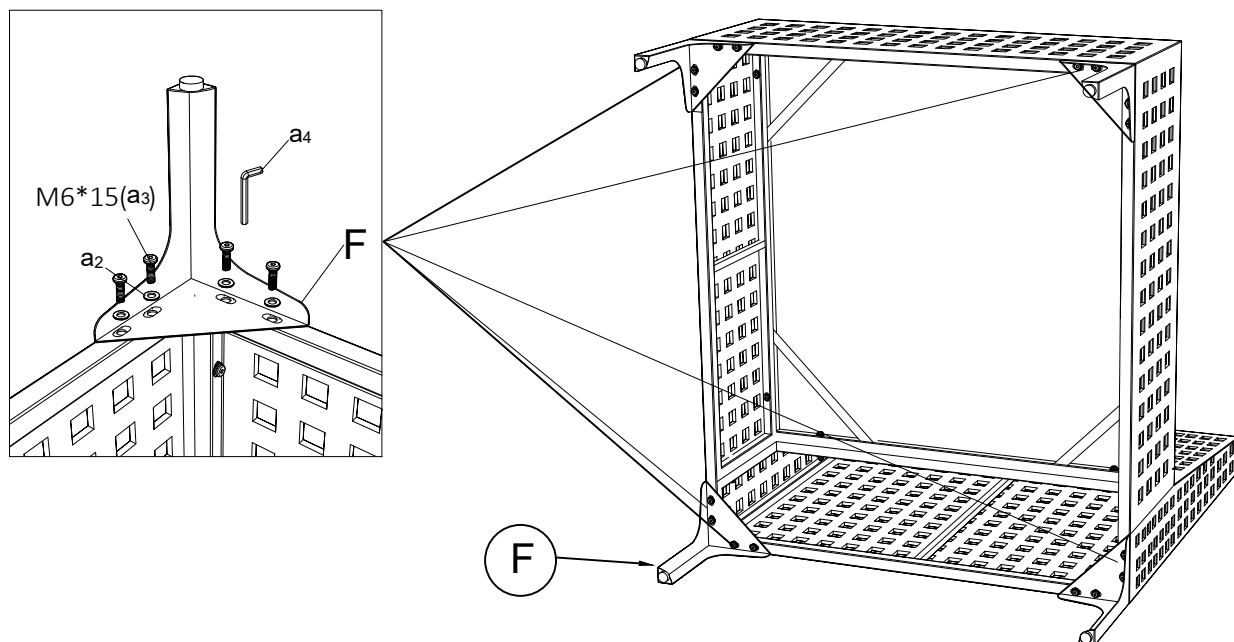
Do not use electric tools Two persons required Need 25mins roughly

STEP 1



D	1pc	E	1pc	a1	4pcs	a2	4pcs	a4	1pc
					M6*35				ALLEN KEY

STEP 2



a3	16pcs	a2	16pcs	a4	1pc	F	4pcs
	M6*15				ALLEN KEY		

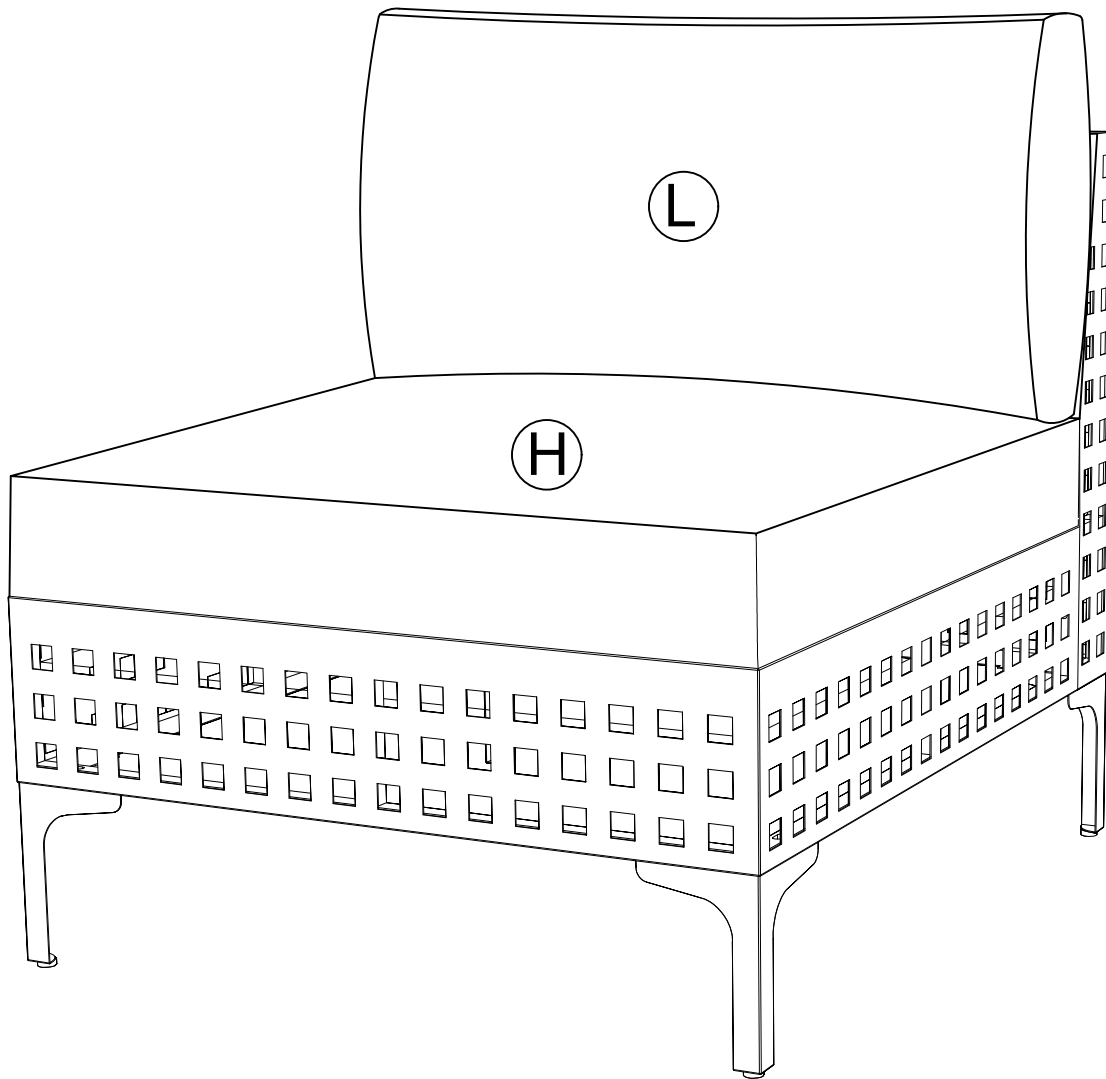
Do not fully tighten all screws until assembly is completed.

Middle Sofa



Do not use electric tools Two persons required Need 25mins roughly

STEP 3



L	1pc	H	1pc

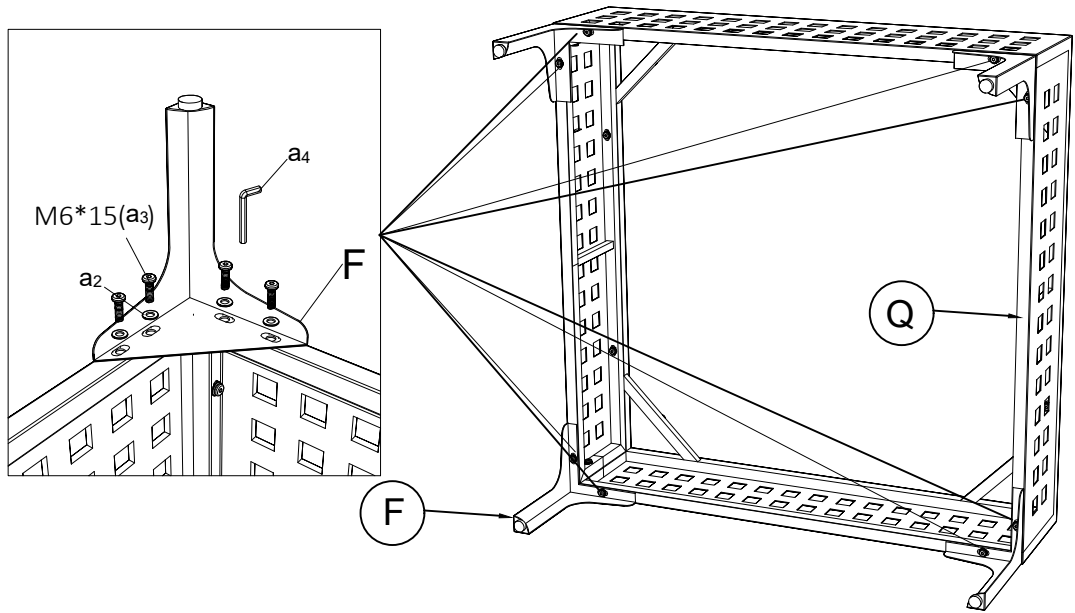
Do not fully tighten all screws until assembly is completed.


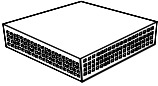



Corner Sofa



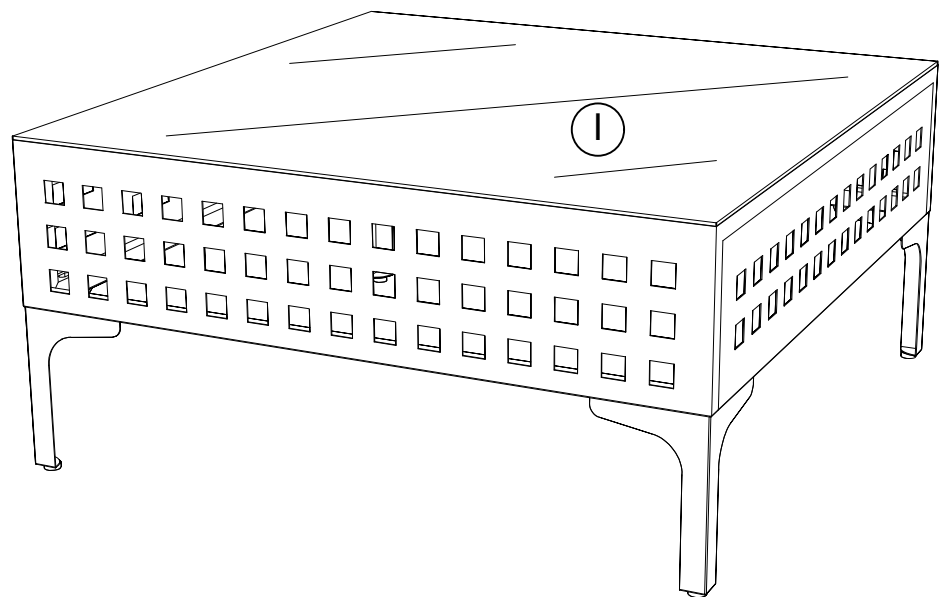
Do not use electric tools Two persons required Need 25mins roughly

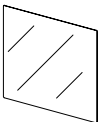
STEP 1



F	4pcs	Q	1pc	a3	16pcs	a2	16pcs	a4	1pc
									
		M6*15				ALLEN KEY			

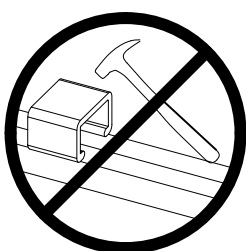
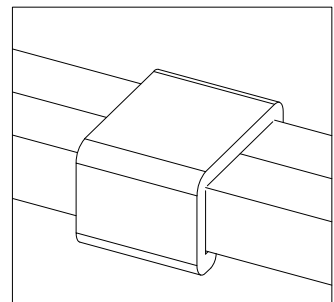
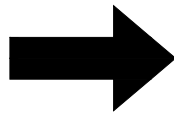
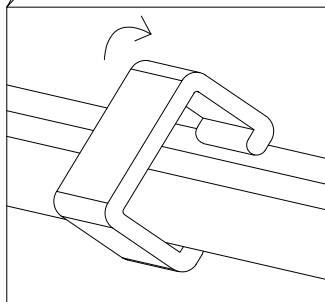
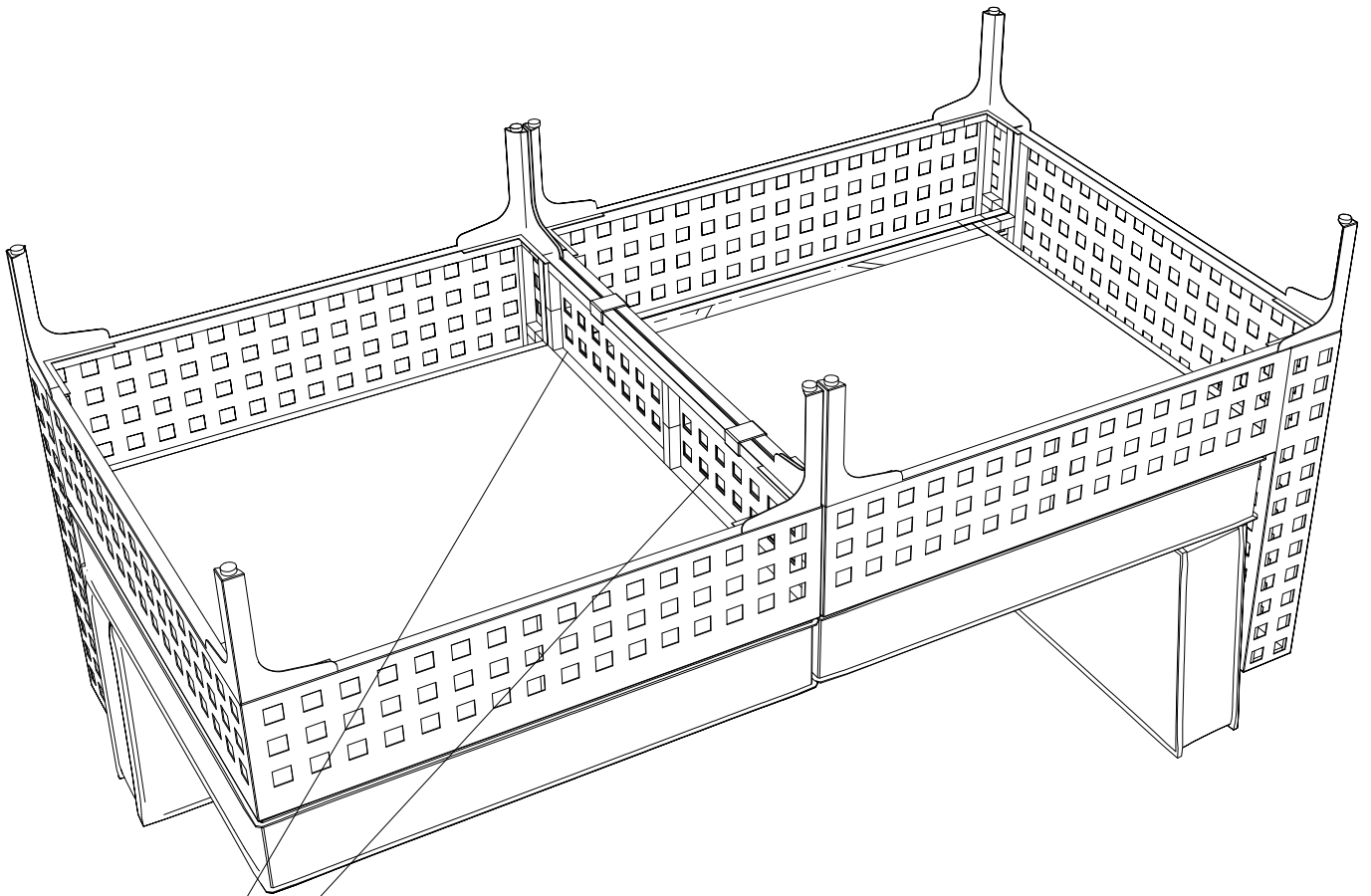
STEP 2



I	1pc
	

Do not fully tighten all screws until assembly is completed.

U-Shaped Connector



You can scald it with hot water to soften it.