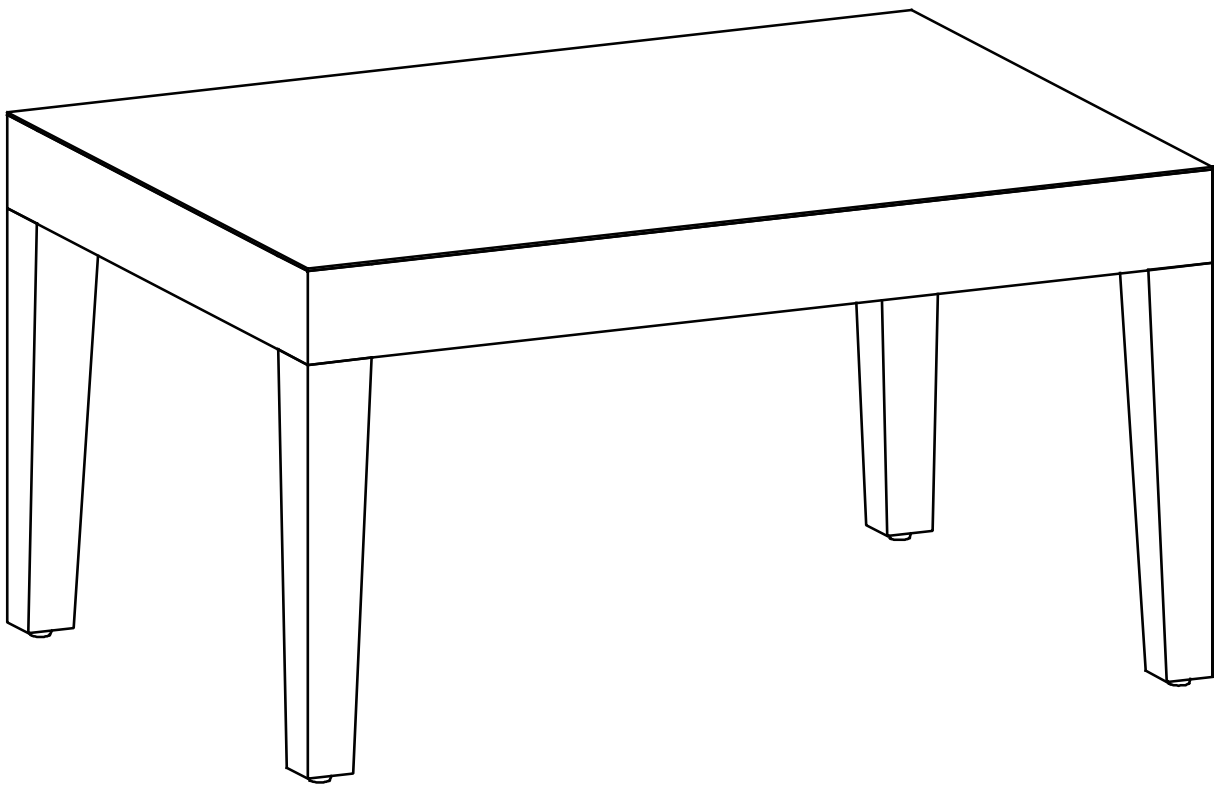


# Assembly Instructions

**Caution: You must read this before you proceed**

## OTTOMAN

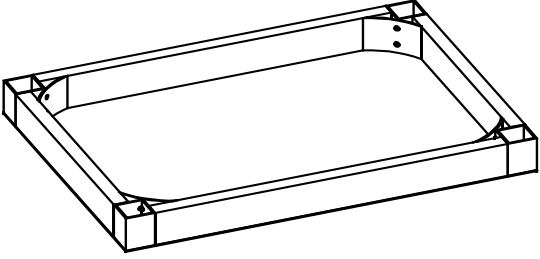



**CAUTION:** This Ottoman is NOT a TOY.




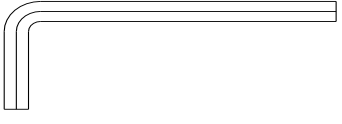
Keep your child / children at bay during the assembly process of assembly.

For turning the Ottoman and to prevent damage to the Ottoman, 02 persons may be needed to execute this action

## Parts List

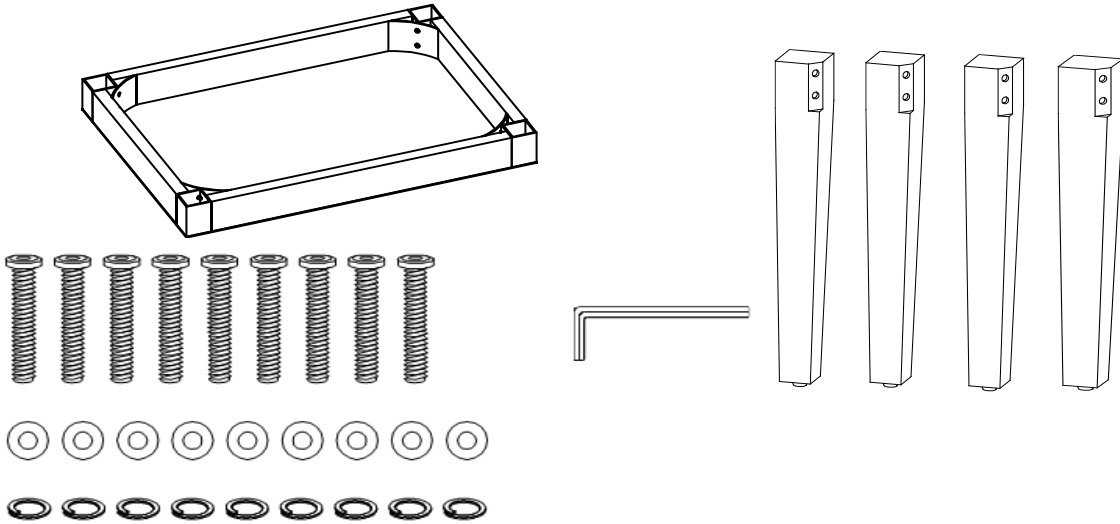
Label	Picture	Description	QTY
A		Top	1
B		Leg	4

## Hardware

Label	Picture	Description	QTY
①		Bolt (M8x30mm)	9
②		Flat Washer (M8.5/16x2mm)	9
③		Spring Washer (M8.5/11x1mm)	9
④		Allen Key	1

# Assembly Preparation

Before Beginning Assembly:



• Read instructions, cover to cover-



• Have 2 adults on hand for assembly-



• Do not assemble on flooring or carpet-



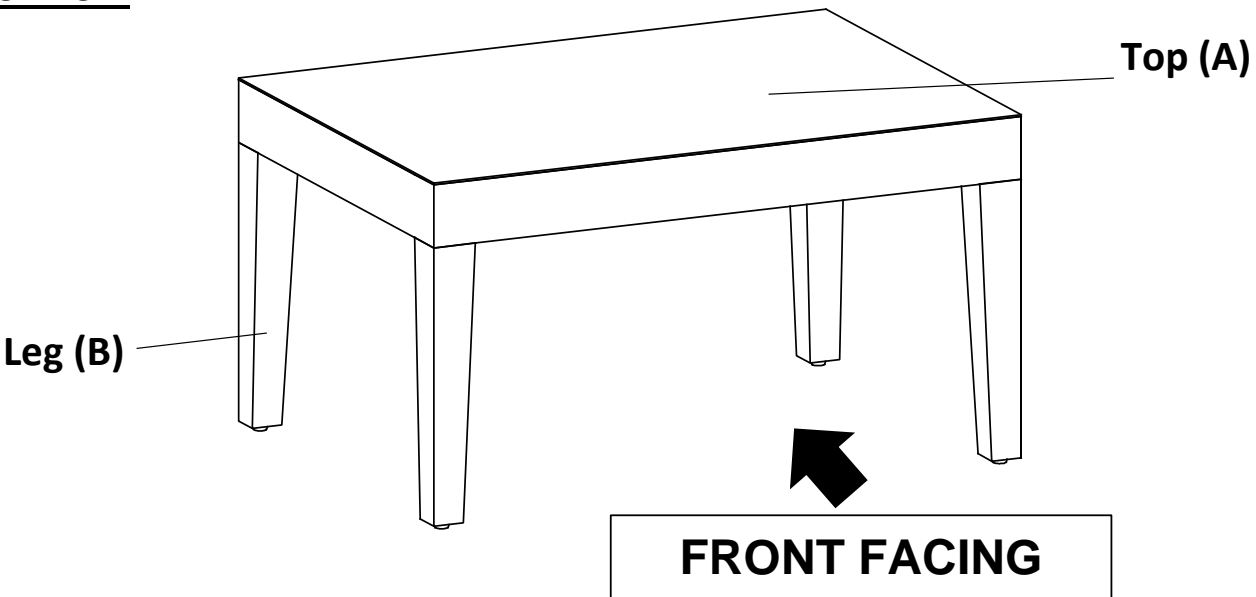
• Assemble on a clean non-marring surface (packing foam)-



• Save all packaging until finished-

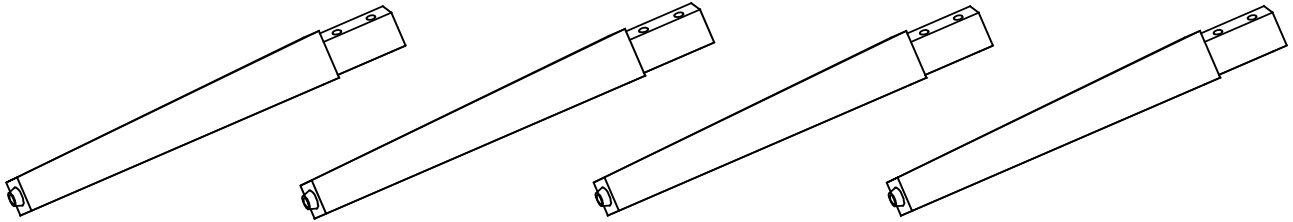
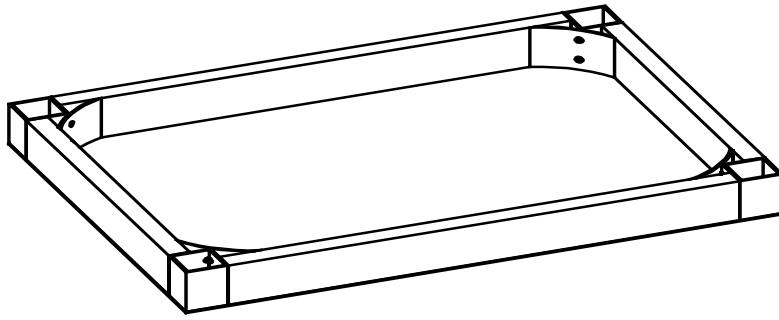
# Assembly Steps

## Overview



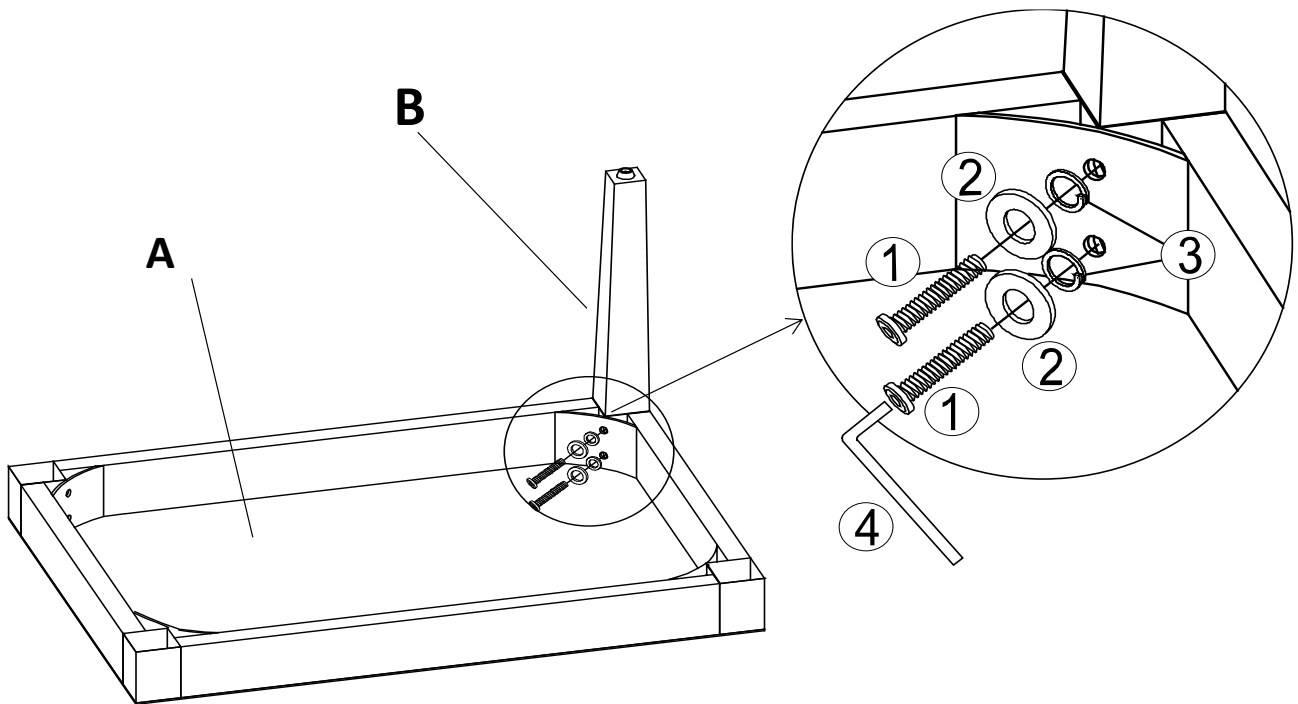
This Ottoman has multiple parts and may require up to 30 minutes to assemble. To give you an overview of the Ottoman, the above picture is to help you put the various parts into perspective. Please read through the instructions below to familiarise yourself with the parts and steps before assembly.

## Step 1



Unpack and place all parts on a clean, non-marring surface.

## Step 2

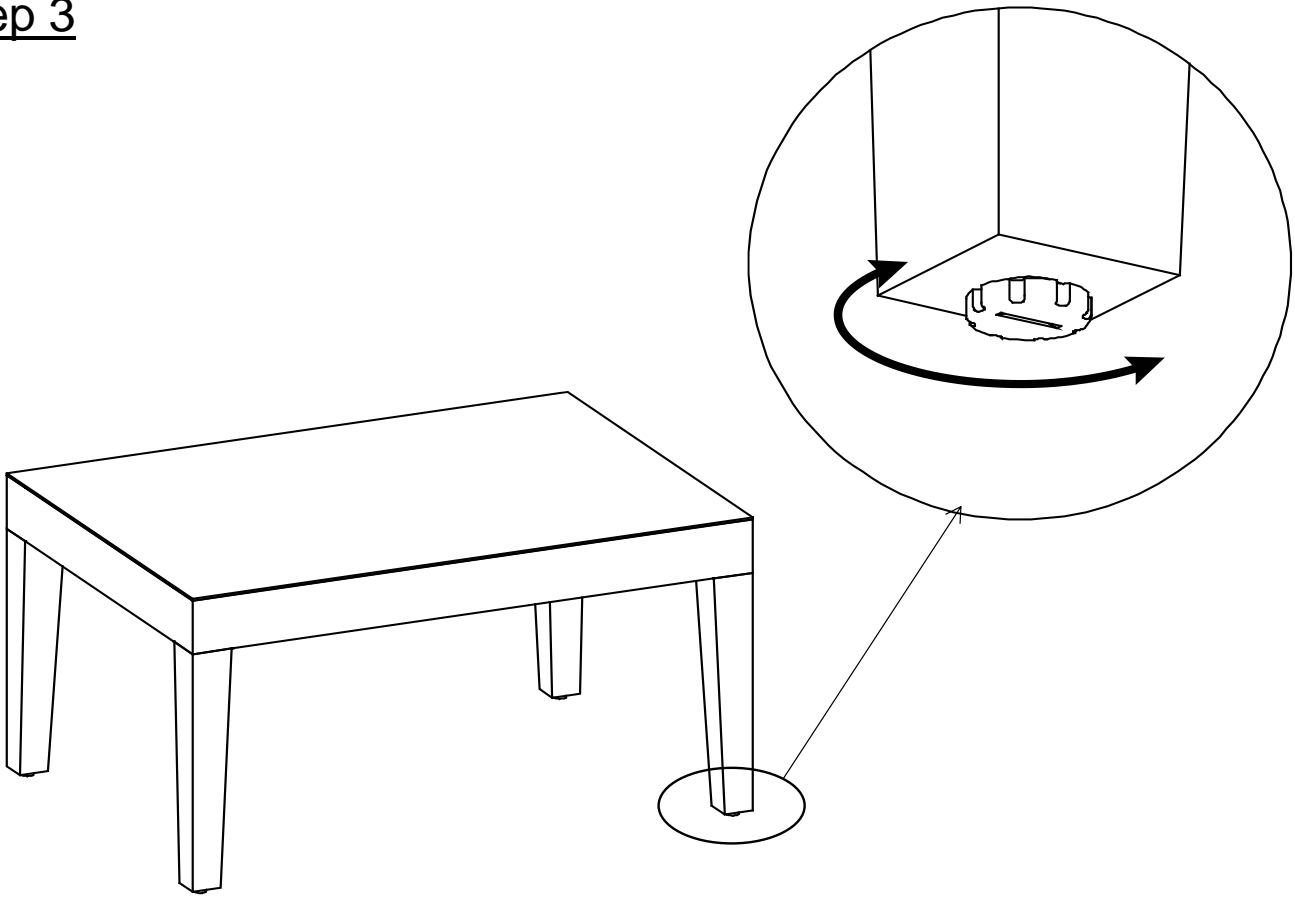


Attach Leg (B) to Top (A) by using Bolts (①), Flat Washer (②), Spring Washer (③) with Allen Key (④).

Repeat the same process with the other 3 Legs (B).





















**Do not fully tighten the Bolts.**

### Step 3



Turn the Ottoman back to normal flat ground  
EXERT pressure, floorwards, onto the Ottoman.  
This pressure will help the Legs and Ottoman Top reach alignment at all joints.  
Check for wobbles.  
In a sequential manner, gradually tighten all Bolts until evenly secured.  
Inspect the Ottoman and make sure all parts are adequately connected.  
Please use adjustable foot for uneven floors.  
Your Ottoman is ready for use.  
**This Ottoman can only be used on a flat, level surface.**

## Care & Maintenance

-   ● Do not put hot items directly on furniture surface
  -   ● Do not clean furniture with harsh cleansers or polish.
  -   ● To obtain the longest lifespan of your outdoor products, minimizing exposure to direct sunlight is recommended.
  -   ● Children should not climb or jump on the furniture.
  -   ● Do not write on furniture without a padded barrier to protect the surface.
  -   ● To obtain the longest lifespan of your outdoor products, avoid extended and lengthy exposure to rain, snow, and direct sunshine. Whenever possible cover the product and /or place under patio or awnings.
  -   ● Not for commercial use. For residential use only .
  -   ● Stains may be removed with mild soap solution and damp cloth.
  -   ● Keep away from sources of ignition.
- 
-   ● Dust and pick-up spills using a clean, non-colored, lint-free cloth.