

INSTALLATION GUIDE

WARNINGS AND CAUTIONS

Released Date:2026-02

READ AND SAVE THESE INSTRUCTIONS

Please read and understand this entire manual before attempting to assemble, install or operate the product.

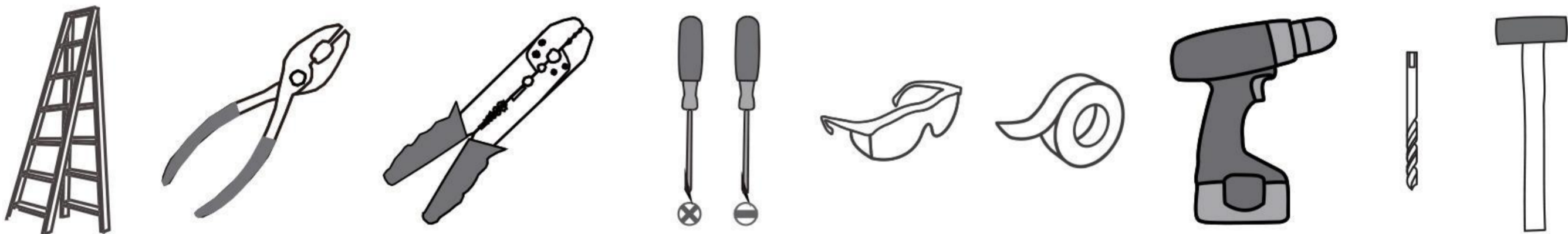
WARNING

- RISK OF ELECTRIC SHOCK - Before beginning installation, turn off electricity at the circuit breaker box or the main fuse box.
- RISK OF FIRE - Use bulbs specified by the markings and/or labels on the fixture.
- RISK OF PERSONAL INJURY - DO NOT bend the blades when installing the fan, or cleaning the fan. Do not insert foreign objects in between rotating fan blades.
- RISK OF FIRE, ELECTRIC SHOCK, OR PERSONAL INJURY - mount to outlet box marked and use mounting screws provided with the outlet box.
- All set screws must be checked, and re-tightened where necessary, before installation.
- After making the wire connections, the wires should be spread apart with the grounded conductor and the equipment-grounding conductor on one side of the outlet box and the ungrounded conductor on the other side of the outlet box.

CAUTION

- For your safety, read instructions completely before beginning installation.
- If in doubt about electrical installation, consult a licensed electrician.
- Disconnect fixture from the power source before replacing bulbs or cleaning. Make sure the bulbs are given sufficient time to cool before removing.

TOOLS REQUIRED



CARE AND MAINTENANCE

- Wipe clean using soft, dry cloth or static duster. Always avoid using harsh chemicals and abrasives to clean fixture as they may damage the finish.

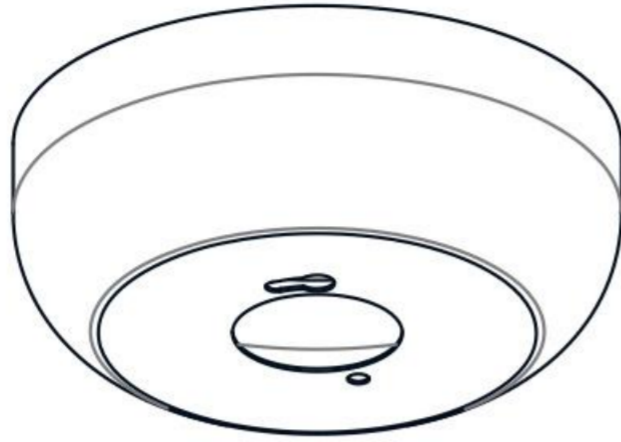
PACKAGE CONTENTS



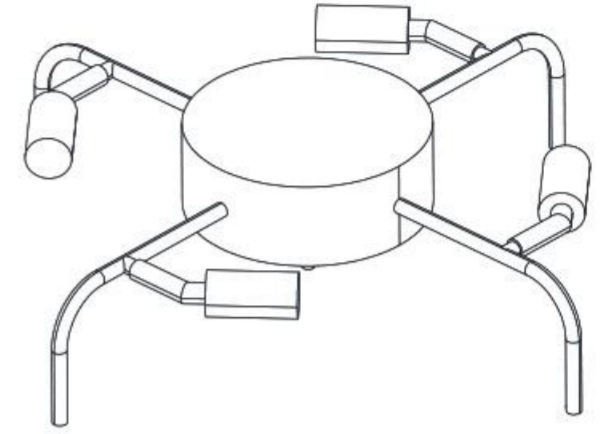
A 4.92" Rod Assembly
x 1



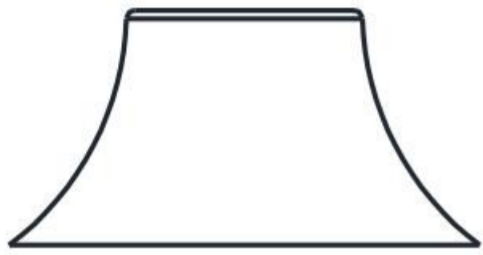
F Lampshade
x 4



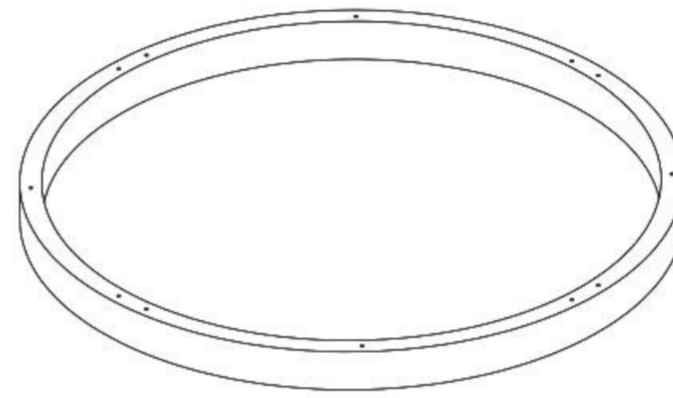
B Ceiling Canopy
x 1



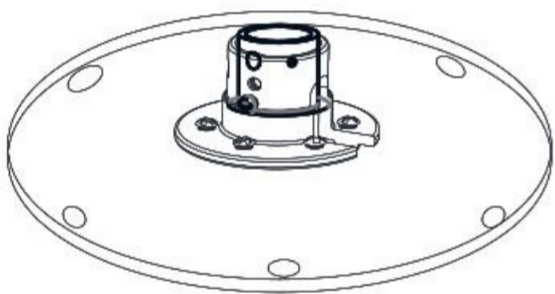
G Fixture Body
x 1



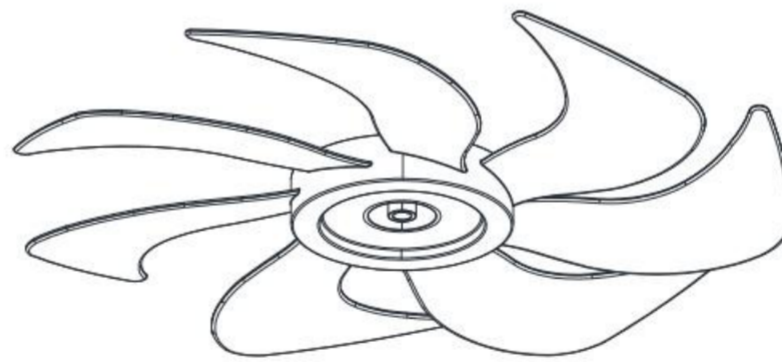
C Ceiling Canopy Cap
x 1



H Round Tube
x 1



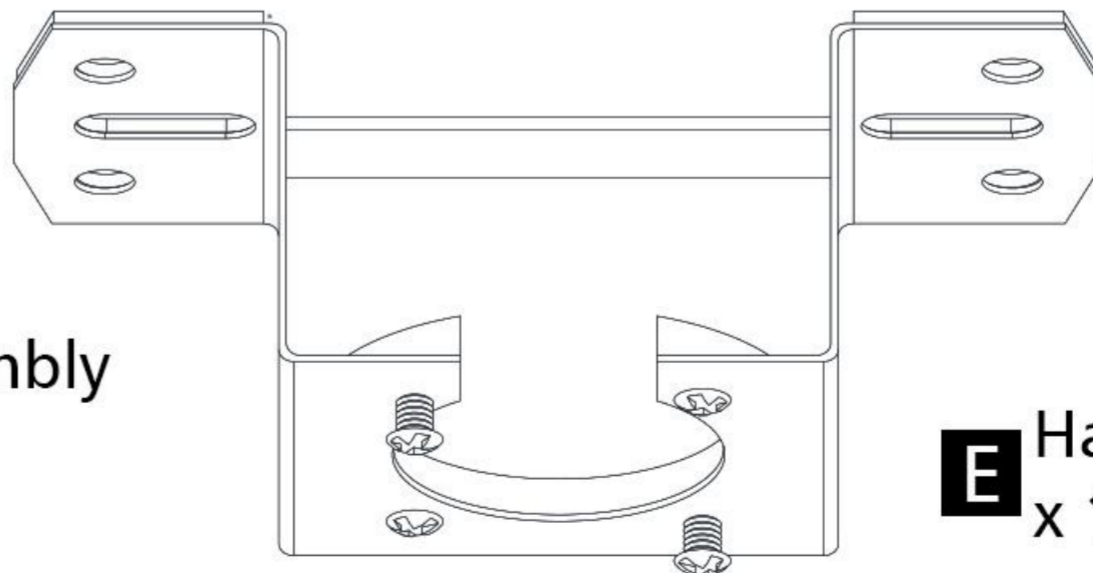
D Motor Cap
x 1



I Fan Blades and nuts
x 1



J 7.87" Rod Assembly
x 1

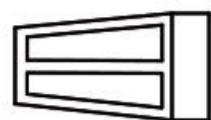


E Hanger Frame
x 1

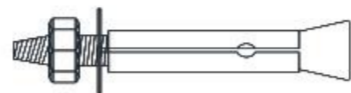
PACKAGE CONTENTS (PARTS BAG 1)



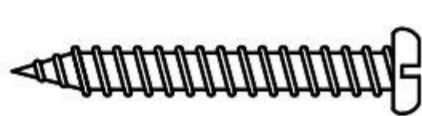
NOTE: Hardware not shown to actual size.



AA Wire Connector
x 4



DD Anchor Bolt
x 2



BB Screw
x 4



EE Mechanical Screw
x 2



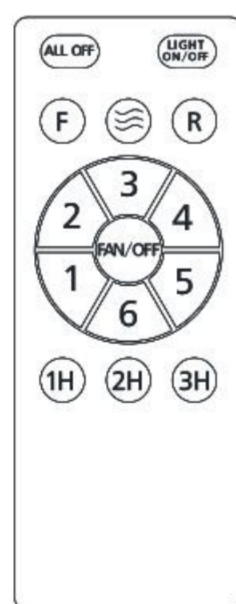
CC Wall Anchor
x 4

PACKAGE CONTENTS (PARTS BAG 2)

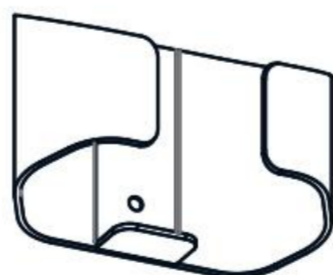


KK Mechanical Screw
x 4

PACKAGE CONTENTS (PARTS BAG 3)



MM Remote Control
x 1



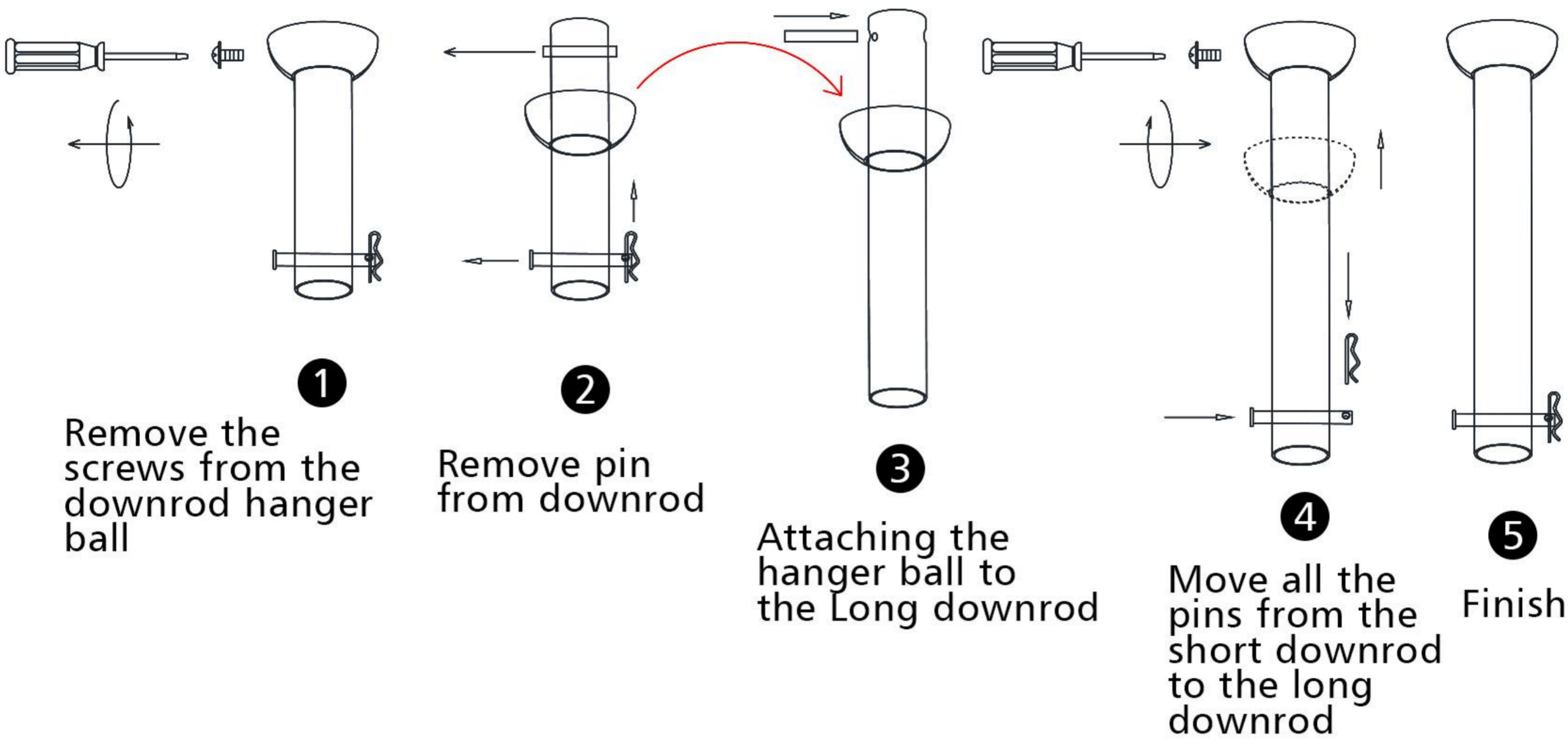
OO Wall Bracket
x 1



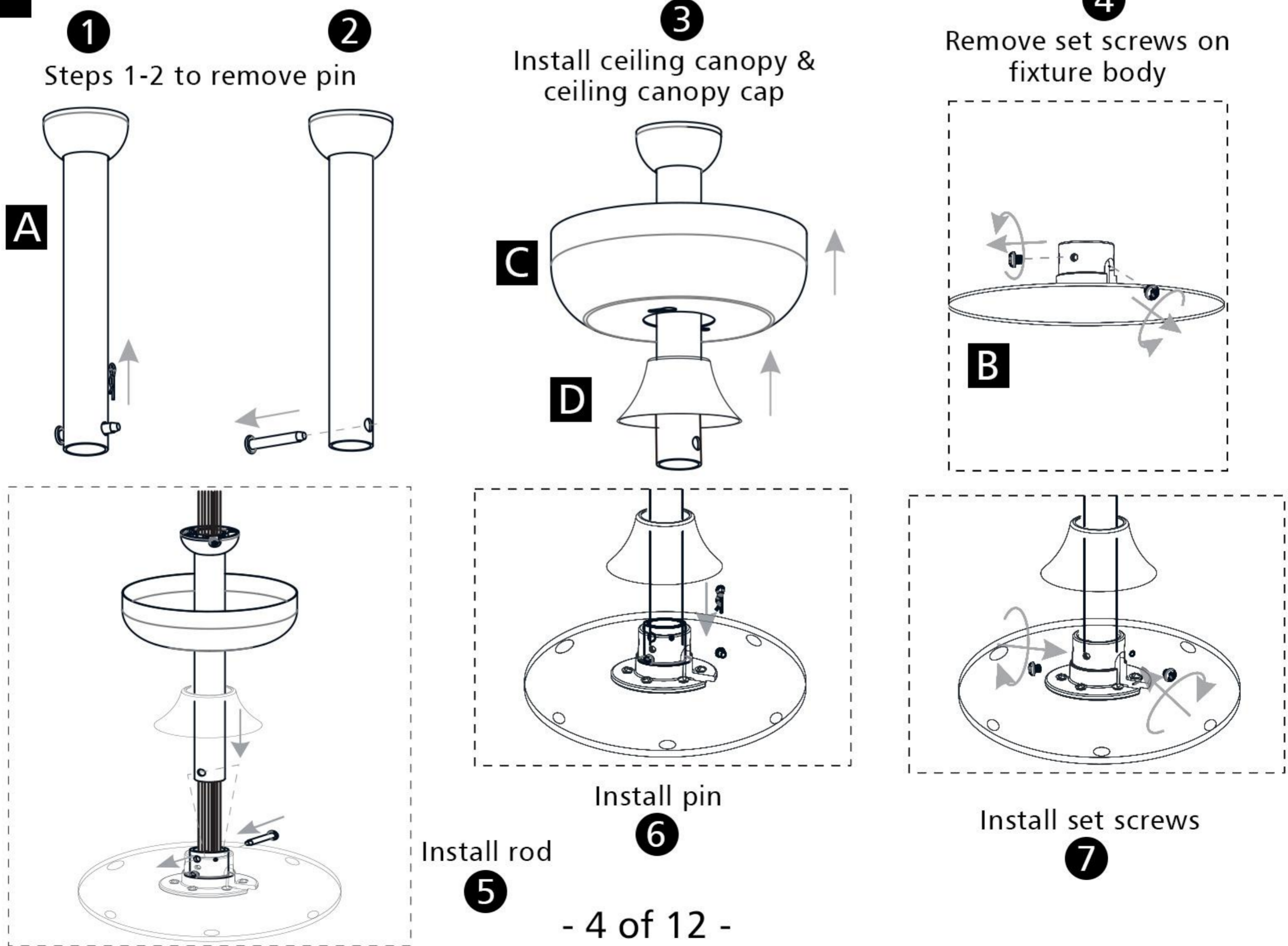
PP Screw
x 2

INSTALLATION

1 Choose Suitable Downrod

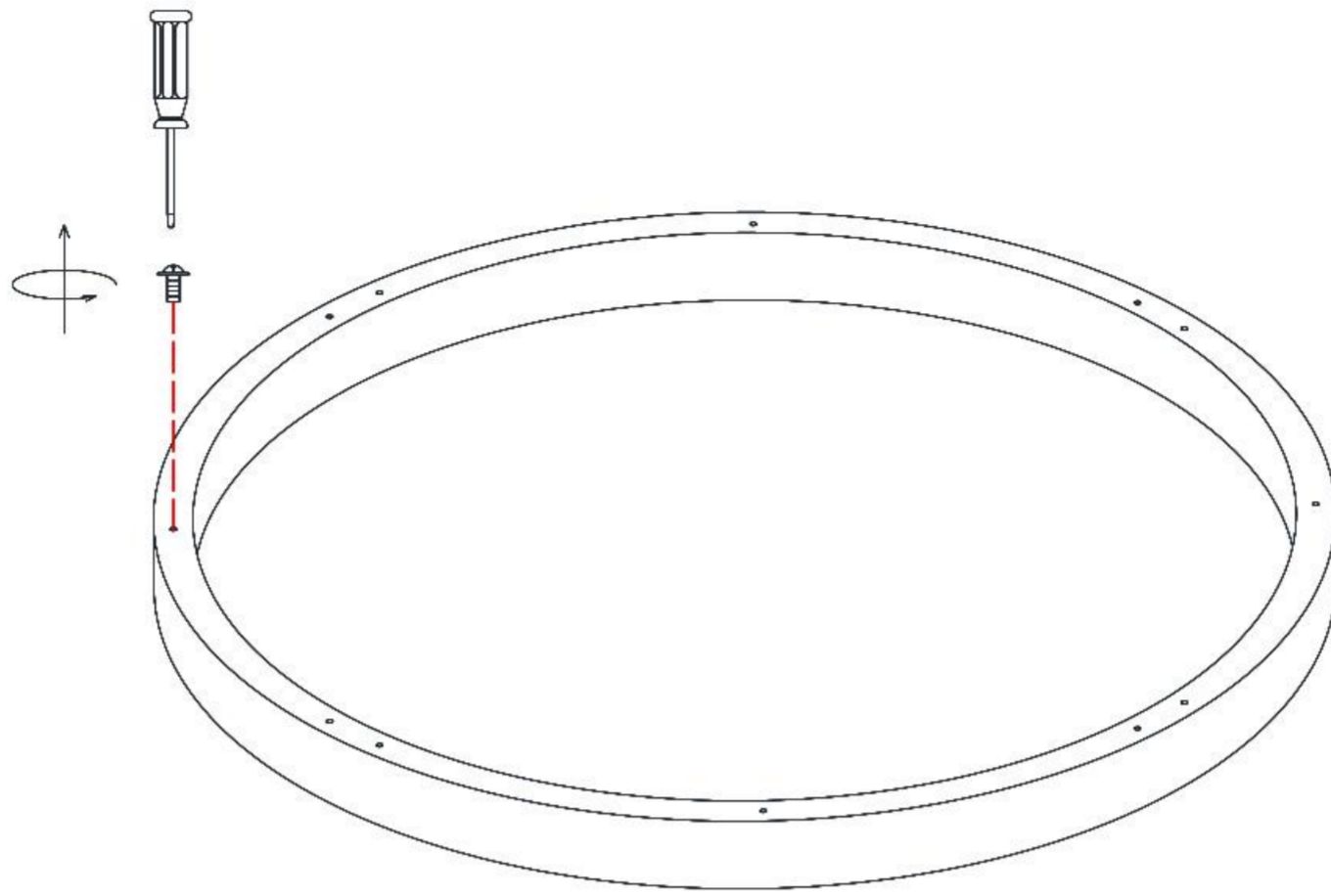


2 Install Downrod to Fixture Body



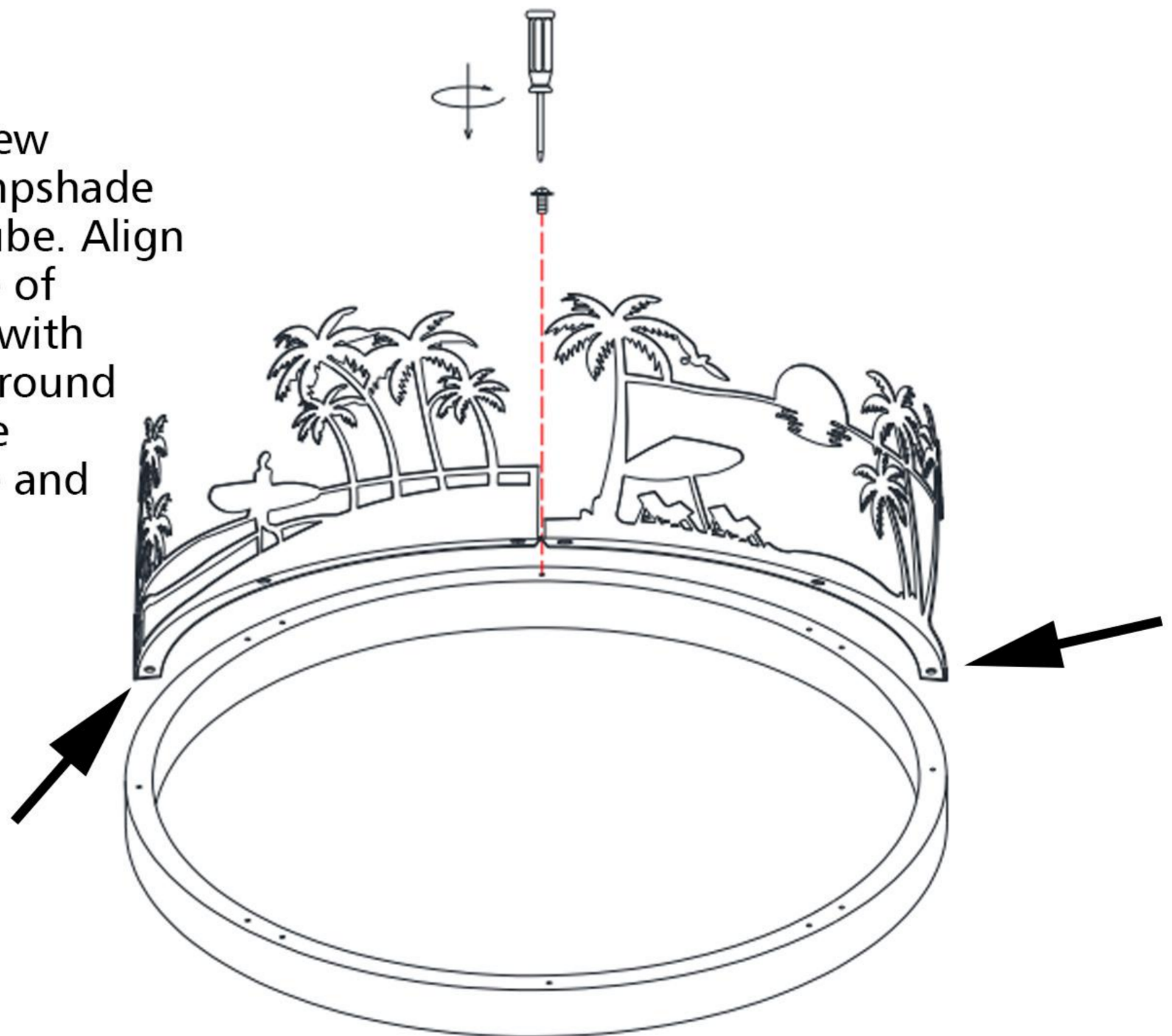
INSTALLATION

3 Remove the Round Tube Screw



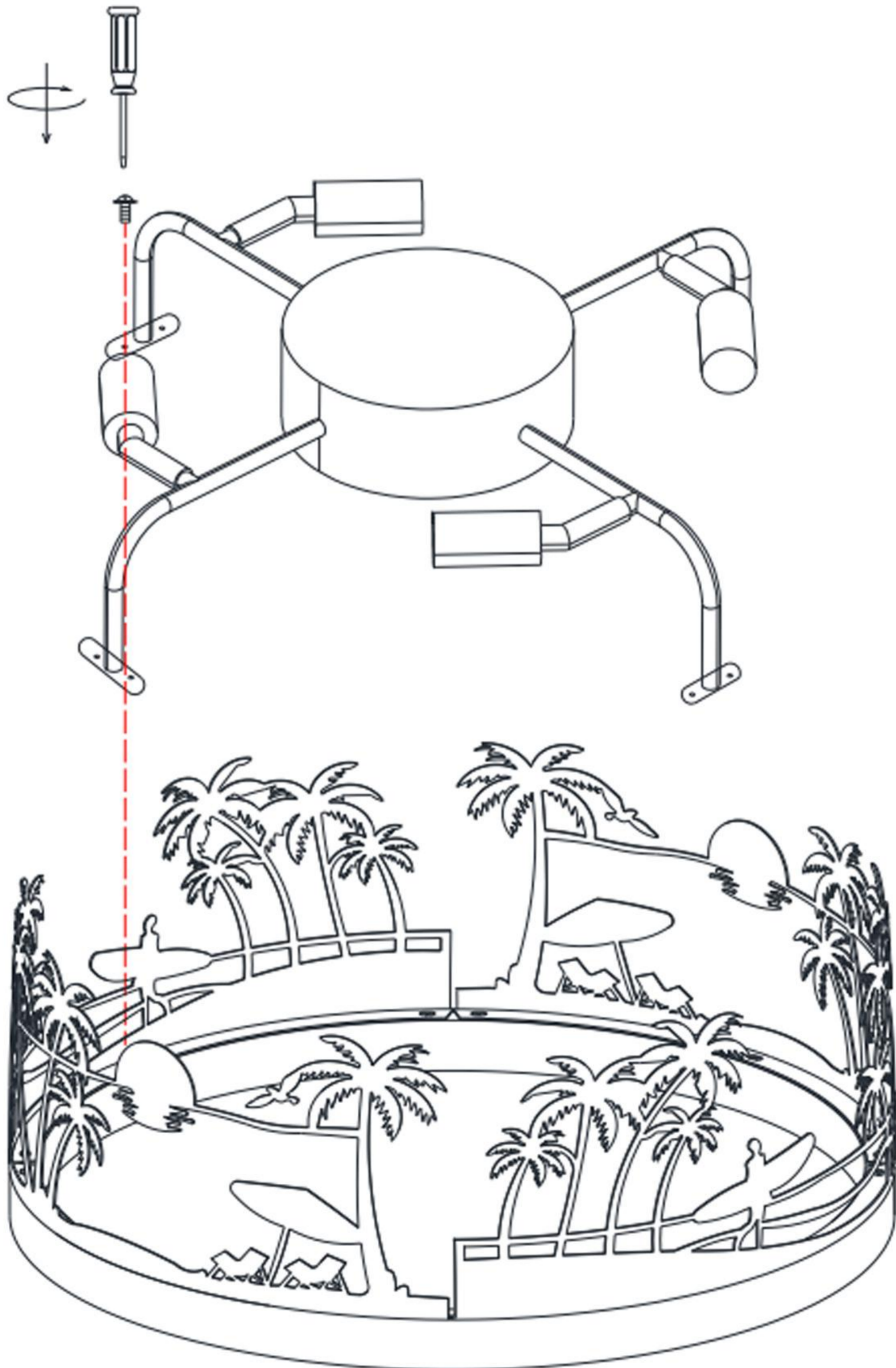
4 Install Lampshade

Remove the screw and put the lampshade on the round tube. Align the middle hole of the lampshade with the hole of the round tube, install one screw in middle and other 2 screws



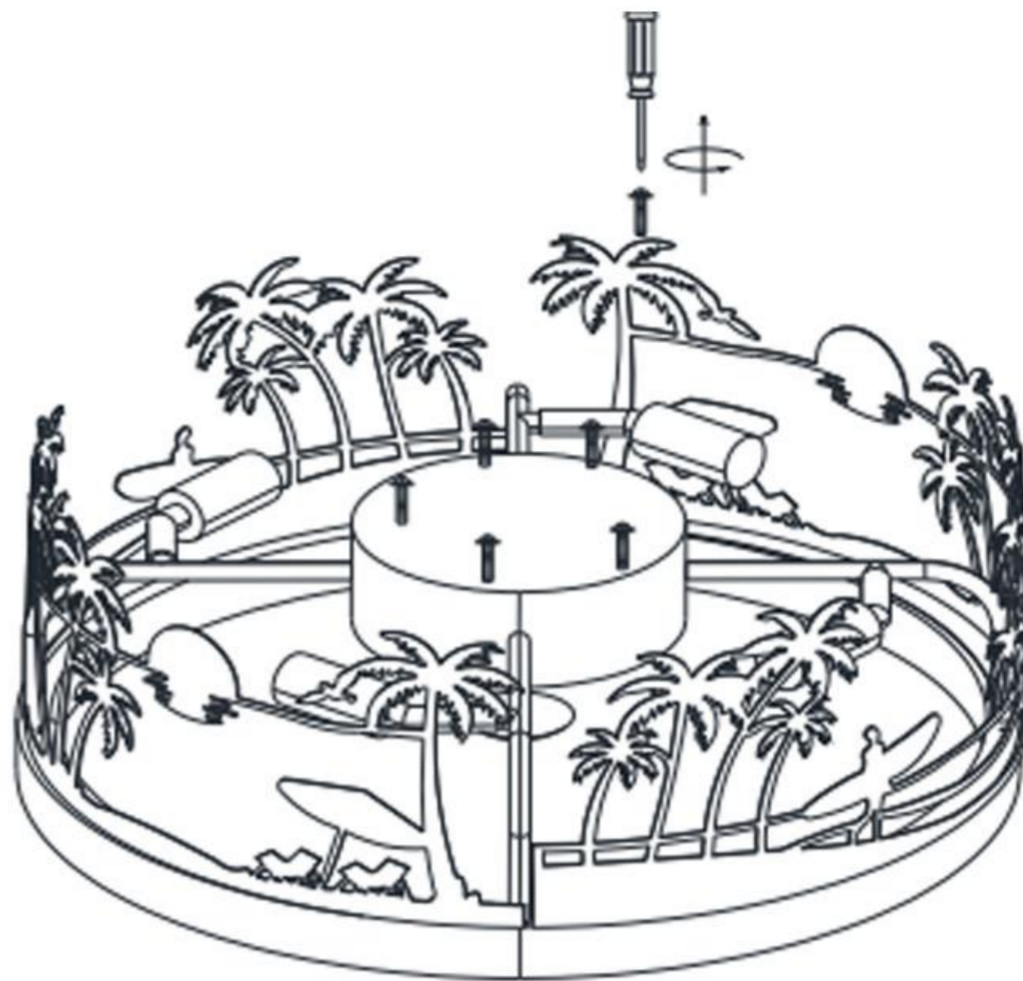
5 Combine Light Fixture

Align the holes in the fixture body with the holes in the lampshade and secure with screws

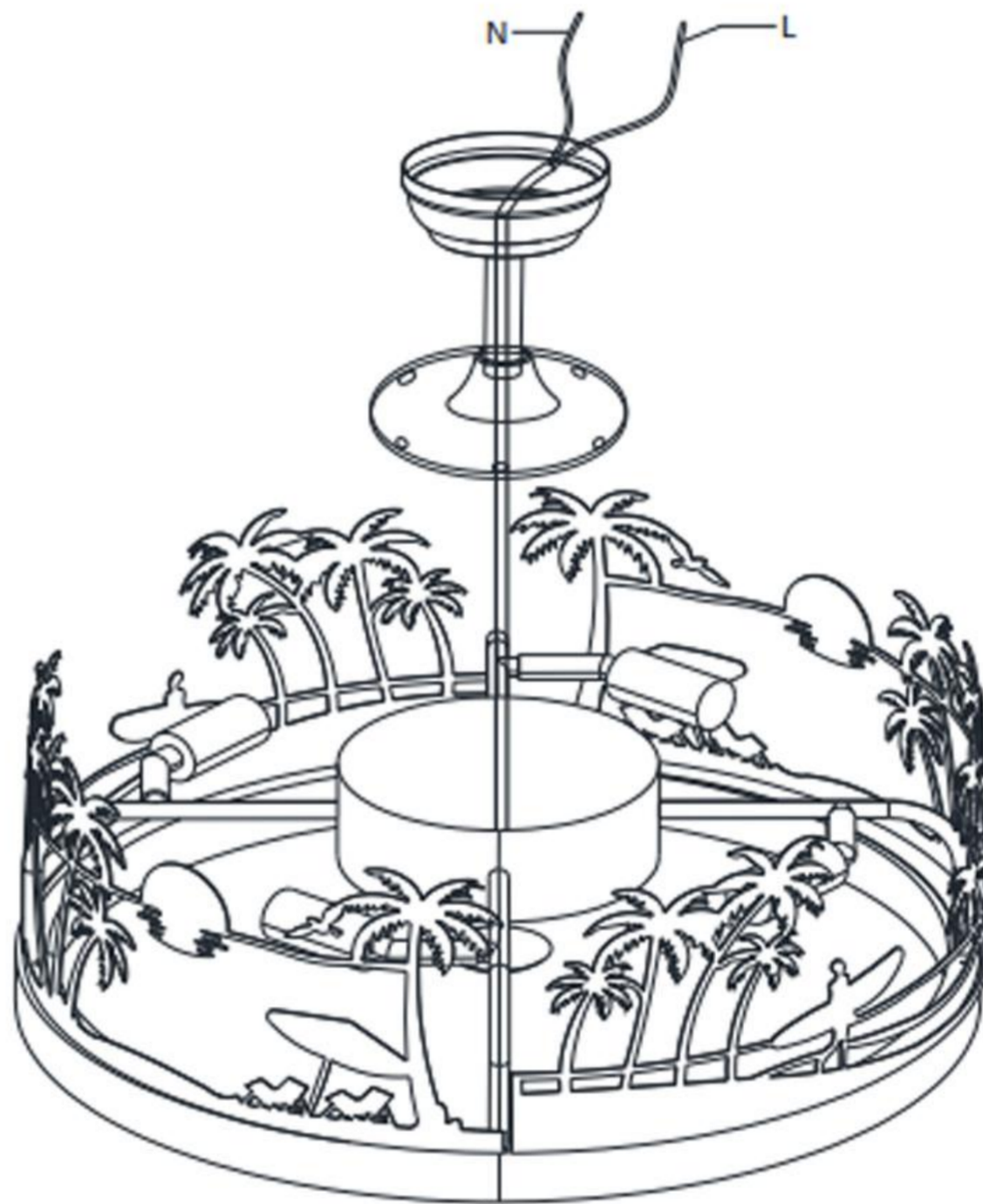


INSTALLATION

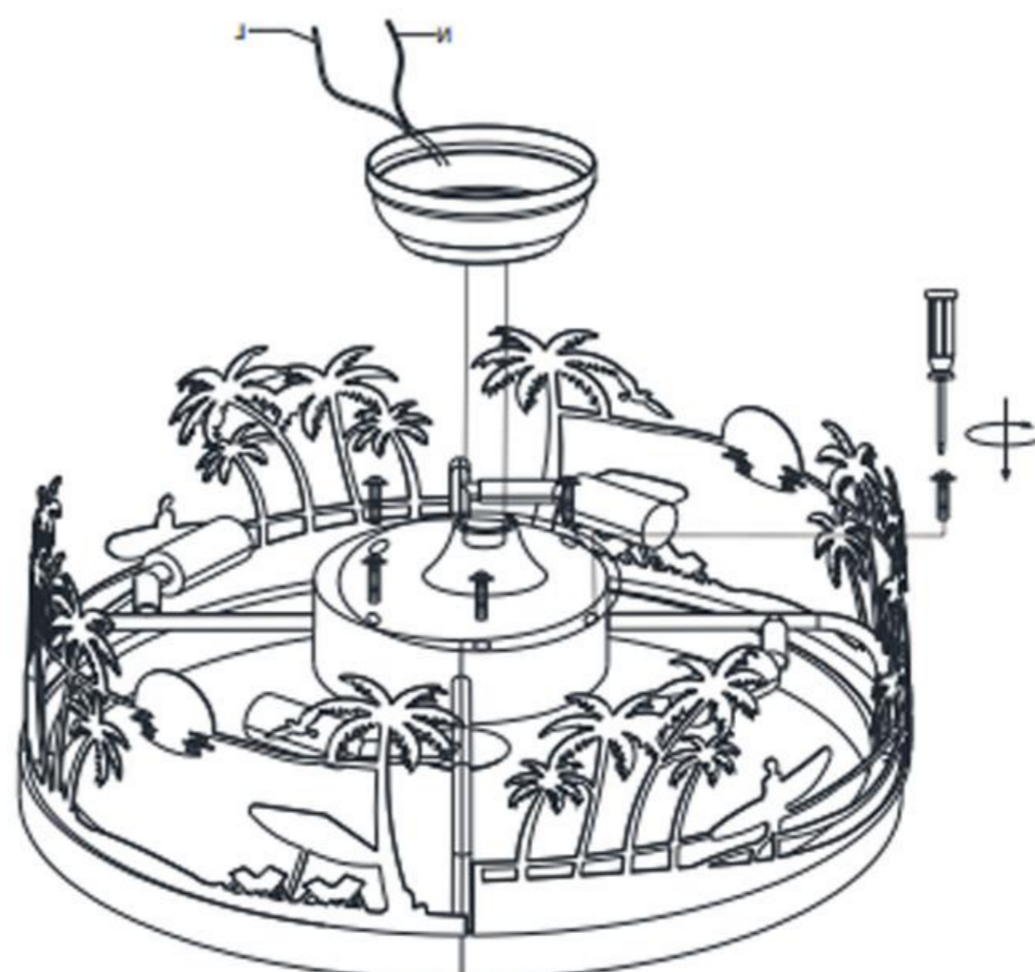
- 6** Remove the set screws on the fixture body



- 7** Thread the wires from the fixture body



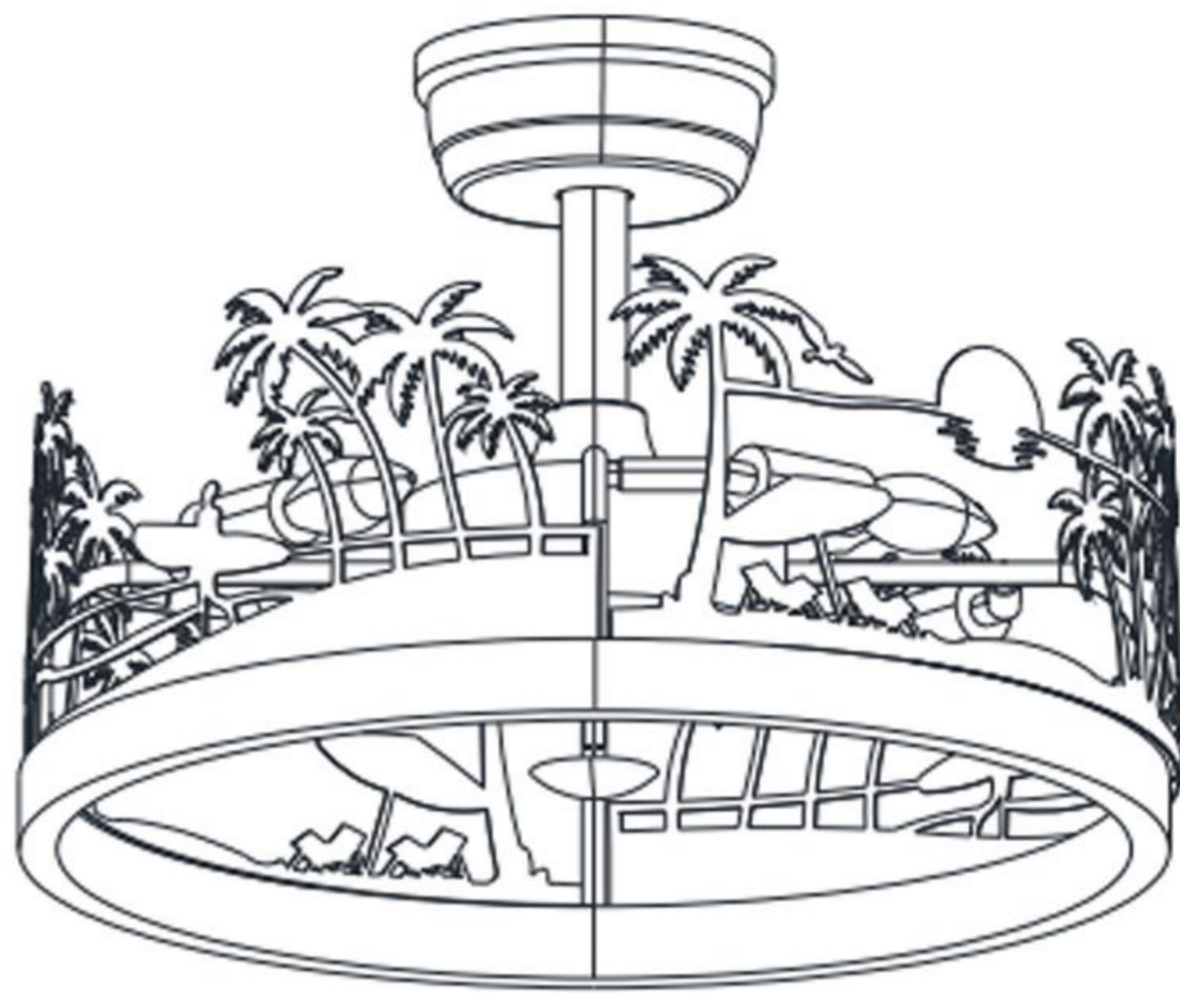
- 8** Install the screws into the motor cap



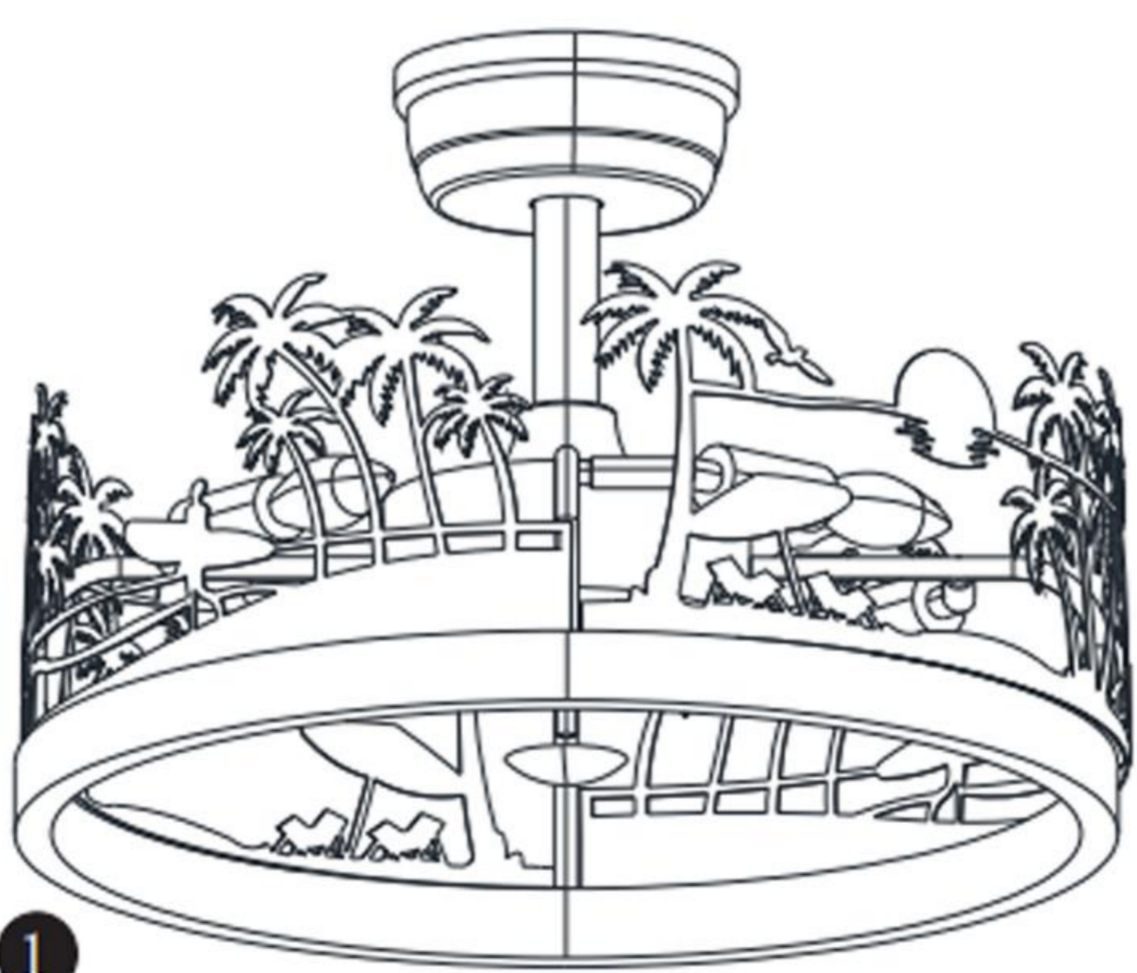
INSTALLATION

9 Install 4*E12 Bulbs(not included)

Install 4 correct bulbs referring to fixture markings or labels for maximum wattage. If the base angle needs to be changed, disconnect the power supply first



10 Install Fan Blade



1

2

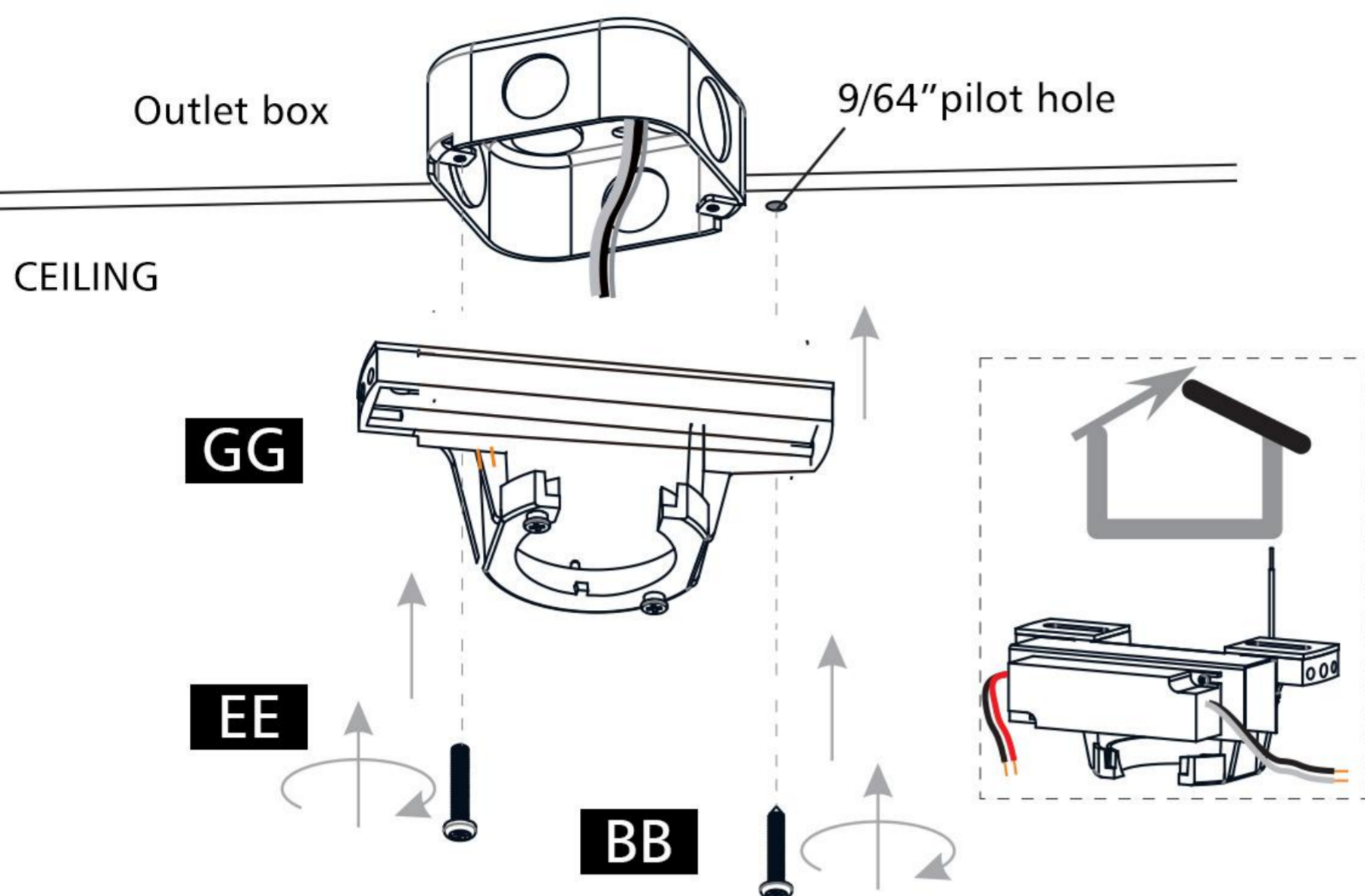


3



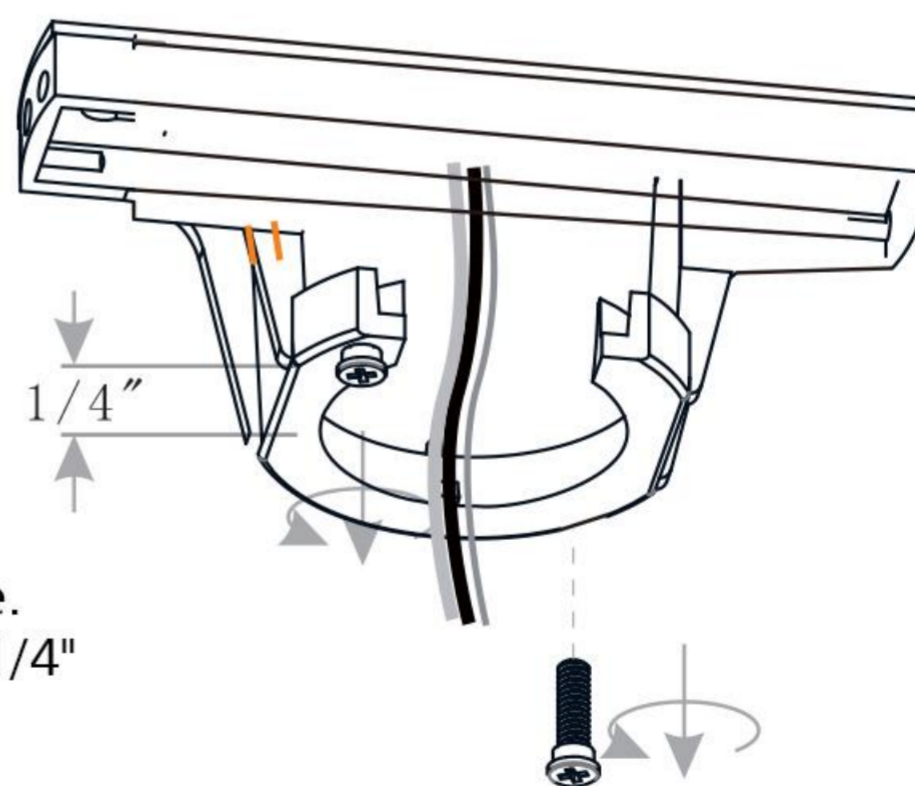
INSTALLATION

11 Install Hanger Frame



Use machine screws when securing to existing ceiling fan-rated outlet box.

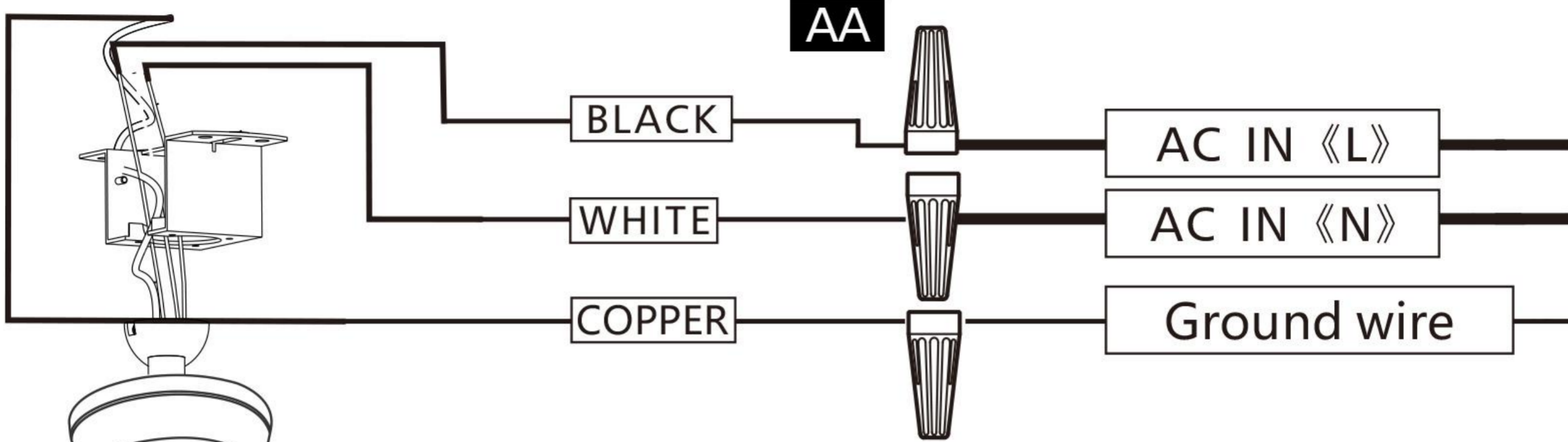
12 Loosen Shoulder Screws



Remove one shoulder screw from hanger frame. Loosen the other shoulder screw approximate 1/4" and retain it on the hanger frame.

INSTALLATION

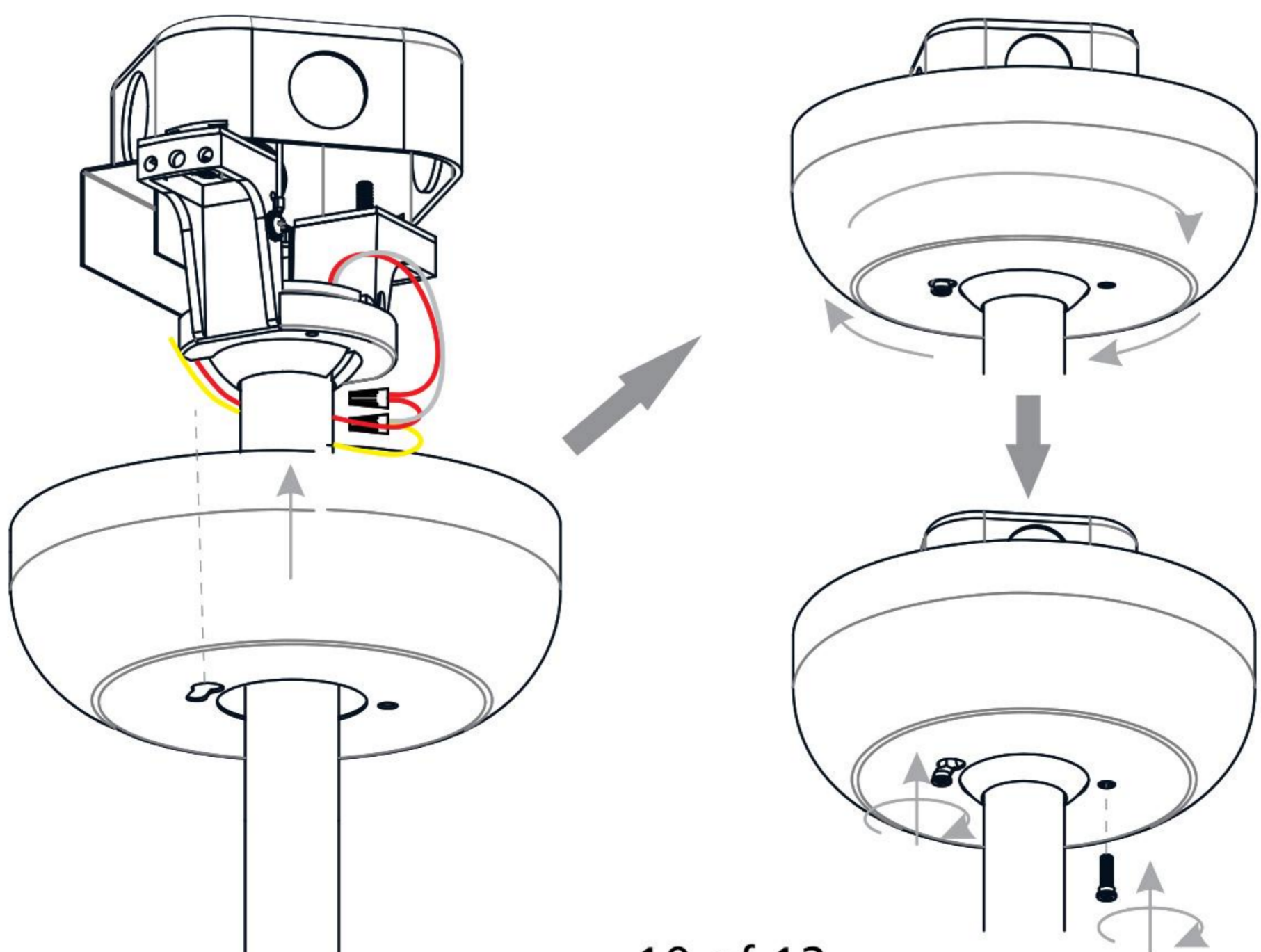
13 Wiring



1. Connect the black wire to the live wire
2. Connect the white wire to the neutral wire
3. Connecting ground

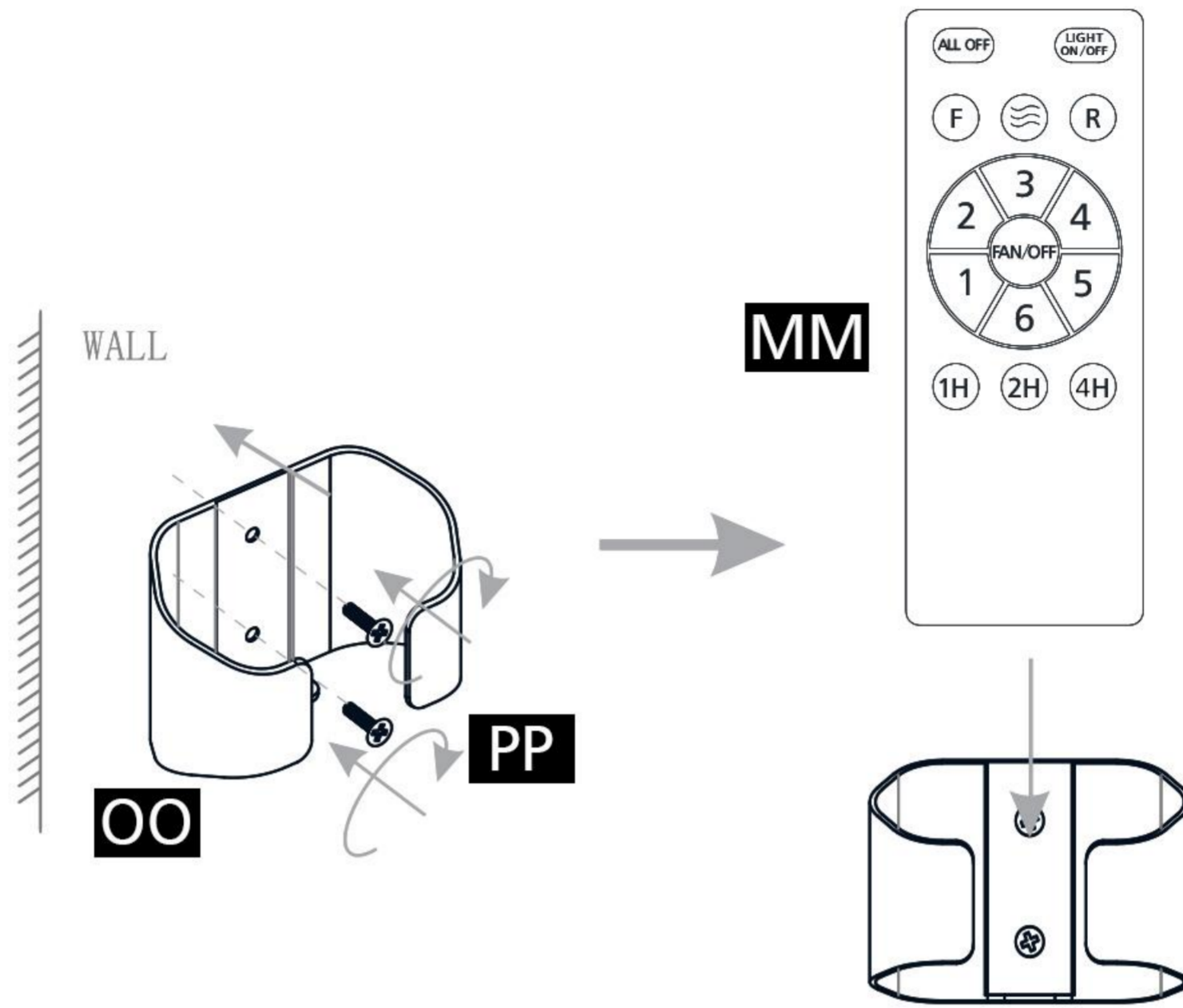
14 Install Ceiling Canopy

Carefully tuck all wires inside of the ceiling canopy during installation.



NOTE: You need a short or stubby screwdriver to screw these in

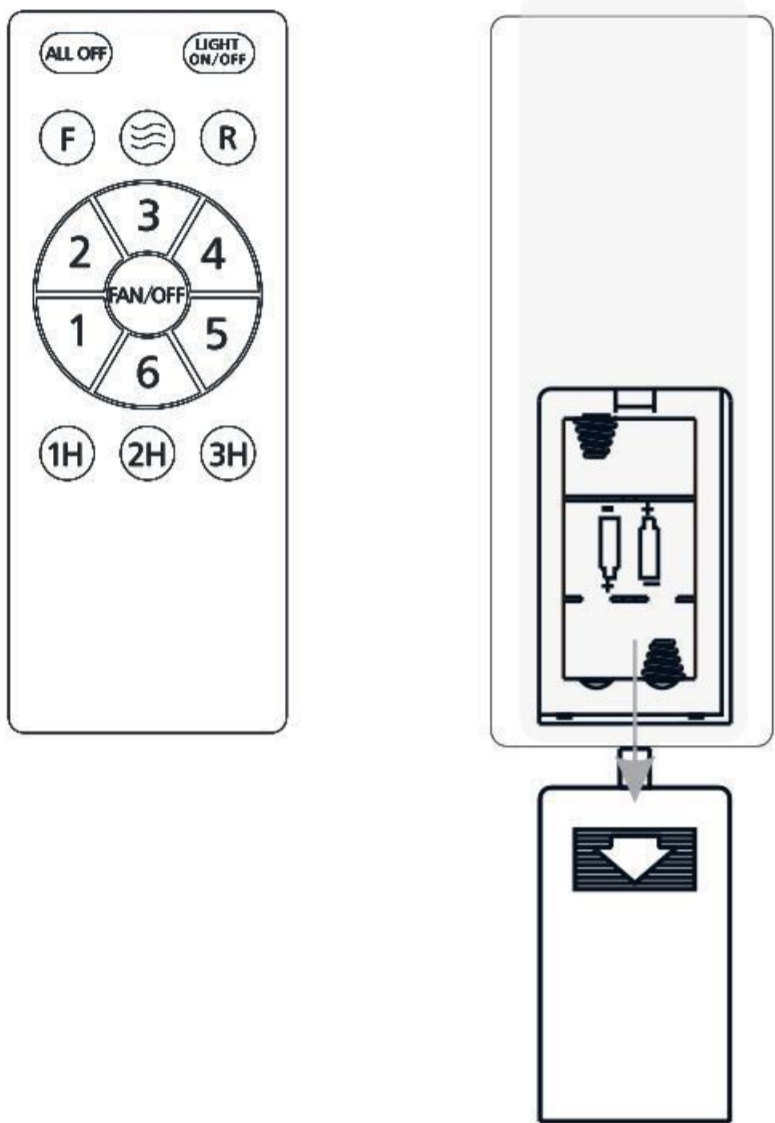
15 Install Wall Bracket



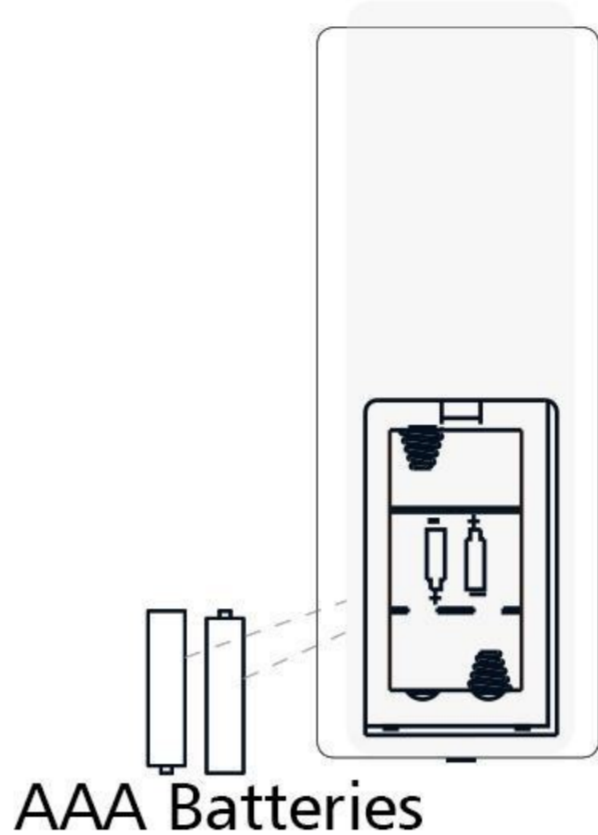
INSTALLATION

16 Remote Control Instruction

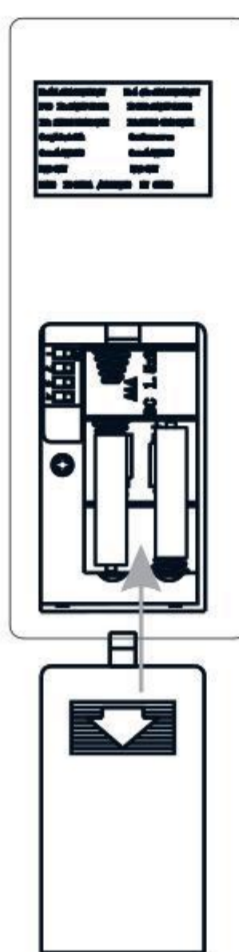
1
Remove the back cover



2
Installing the battery



3
Close the back cover



- ALL OFF
- Turn the light on or off
- Fan rotates forward
- Fan reverse rotation
- The fan rotates from small to large, and then changes from large to small like natural wind
- Free selection of wind speed
- Fan stop and remote pairing
- Timing of fan on or off

Remote Control Pairing Instructions:
(If the remote is not working, please refer to this method)
1. Turn on the wall switch (if it's already on, please turn it off first, then back on).
2. Press and hold the FAN OFF button for 5 seconds to pair the fan light with the remote control.
3. After pairing, press several random buttons on the remote to test whether the fan light responds correctly.
Note: There will be no indication when pairing is successful.

Your installation is now complete. Save this sheet for future