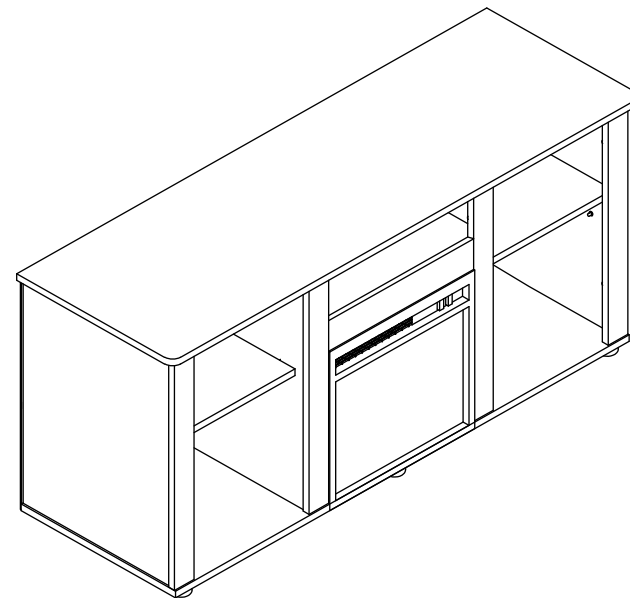
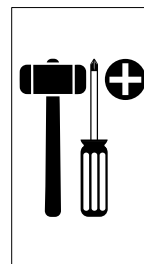
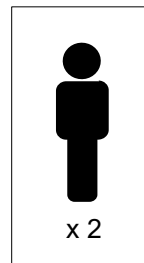
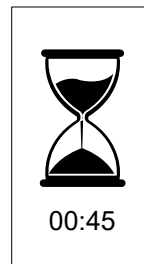
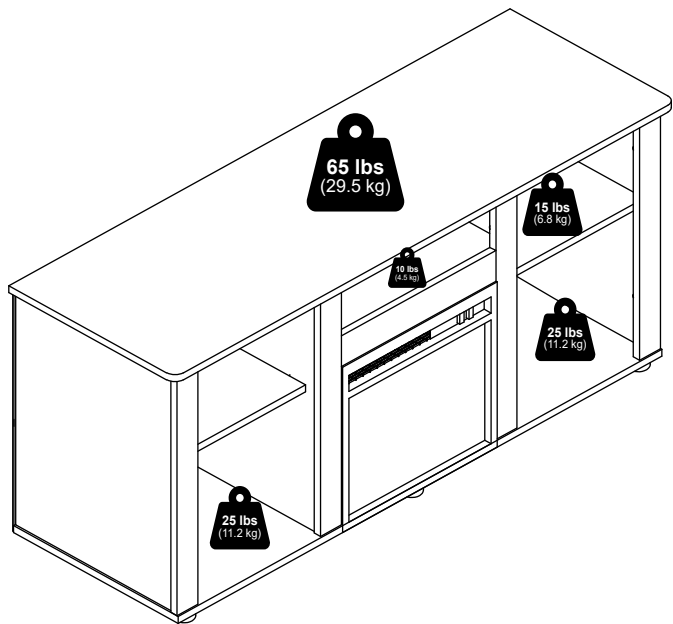
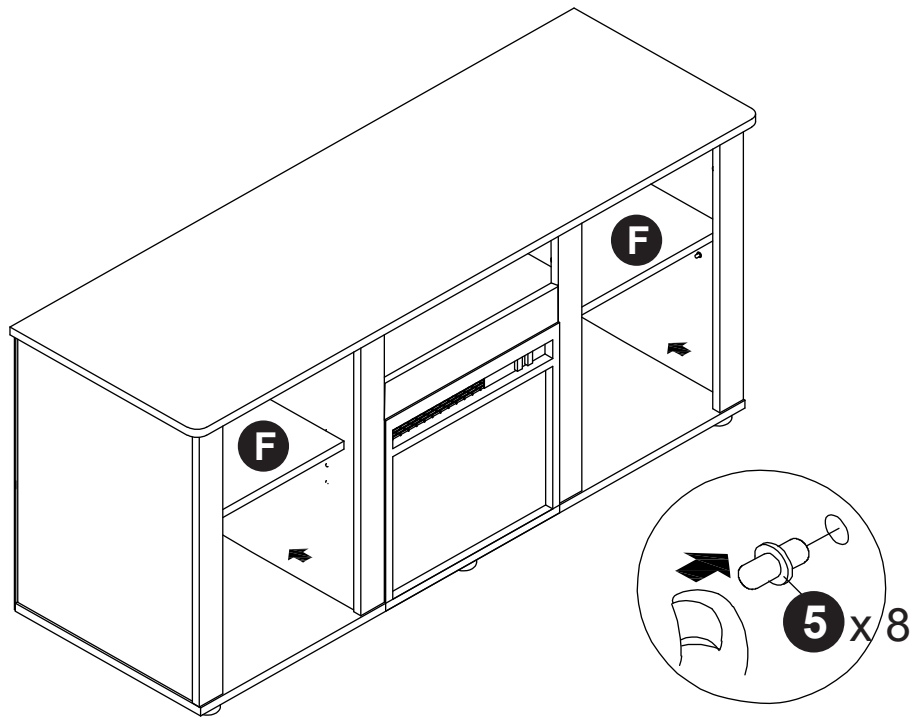
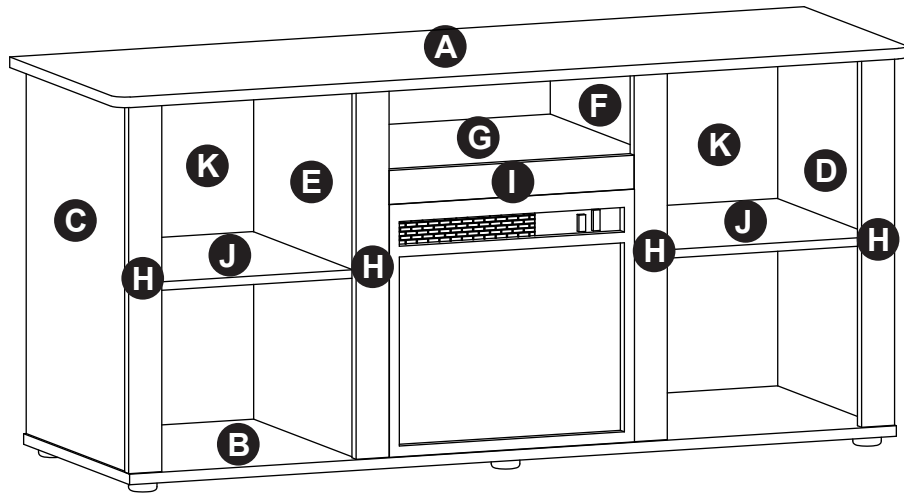
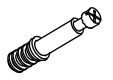

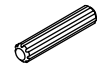



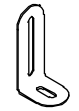

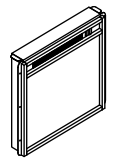
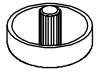
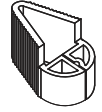


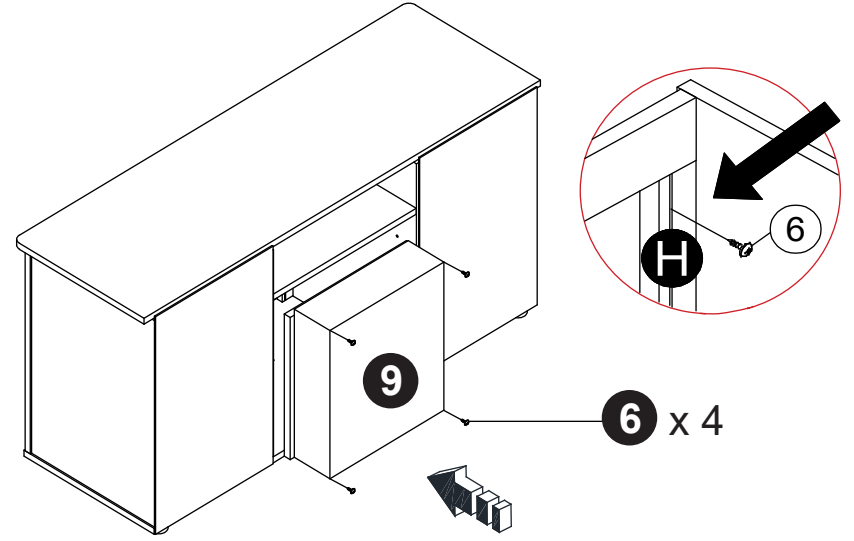
14



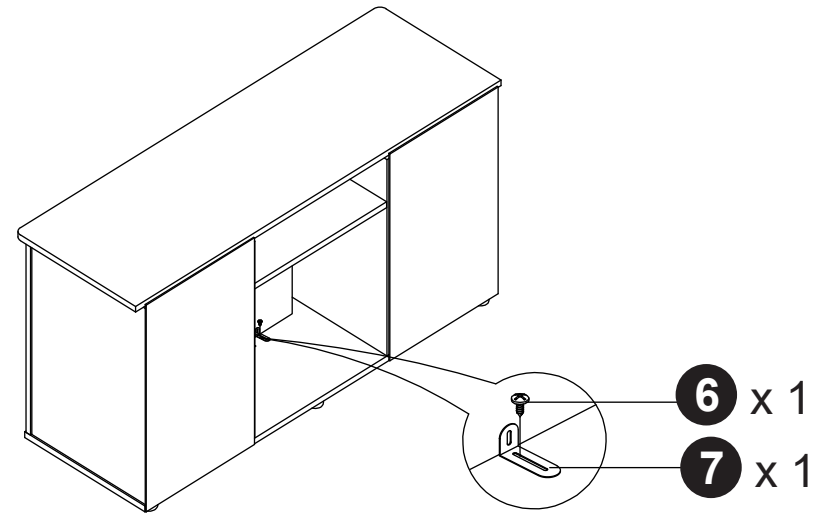


<b>1</b> x 18  7 x 34mm	<b>2</b> x 18  15mm	<b>3</b> x 20  M6 x 30mm	<b>4</b> x 12  M5 x 40mm
<b>5</b> x 8  5 x 6 x 16mm	<b>6</b> x 5  M4 x 11mm	<b>7</b> x 1  1.2 x 24 x 90mm	<b>8</b> x 36  2.5 x 18mm
<b>9</b> x 1 	<b>10</b> x 6  Ø40 x 14mm	<b>11</b> x 1 	

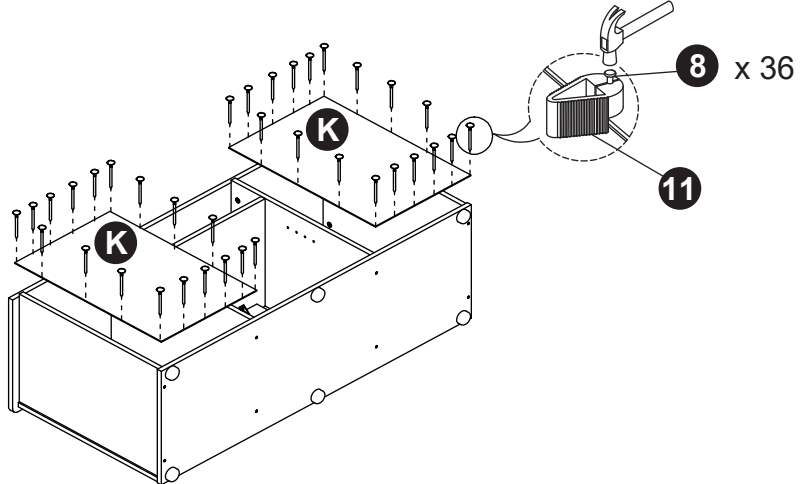
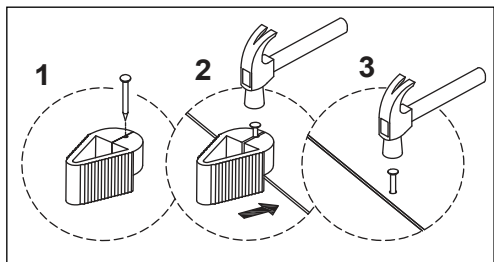
**12**



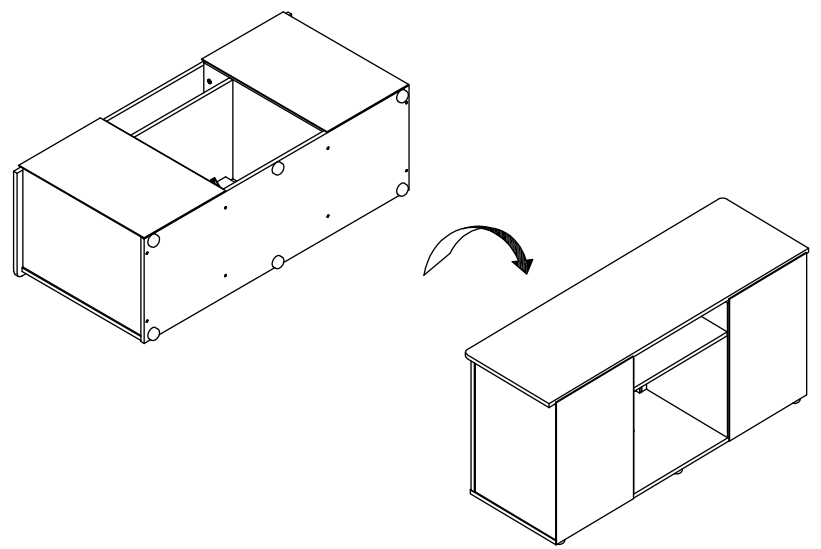
**13**



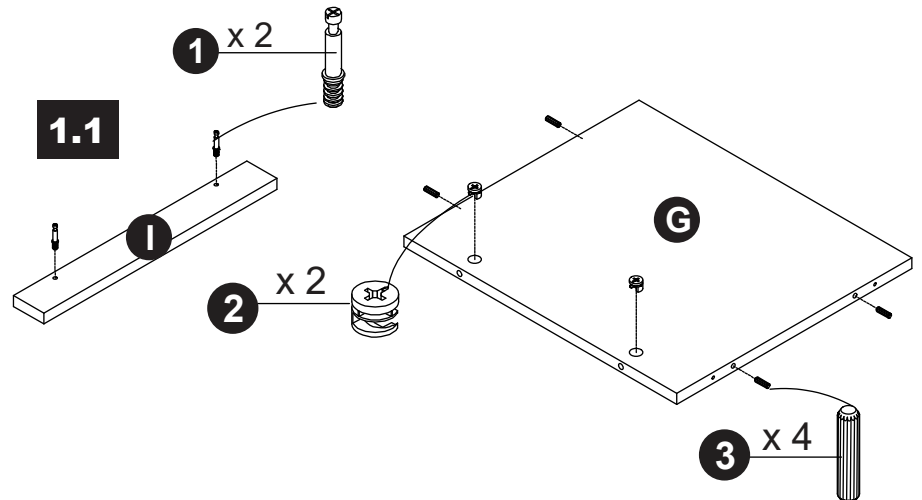
10



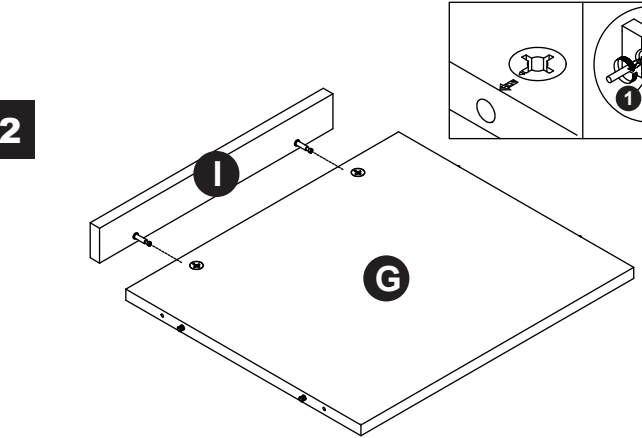
11



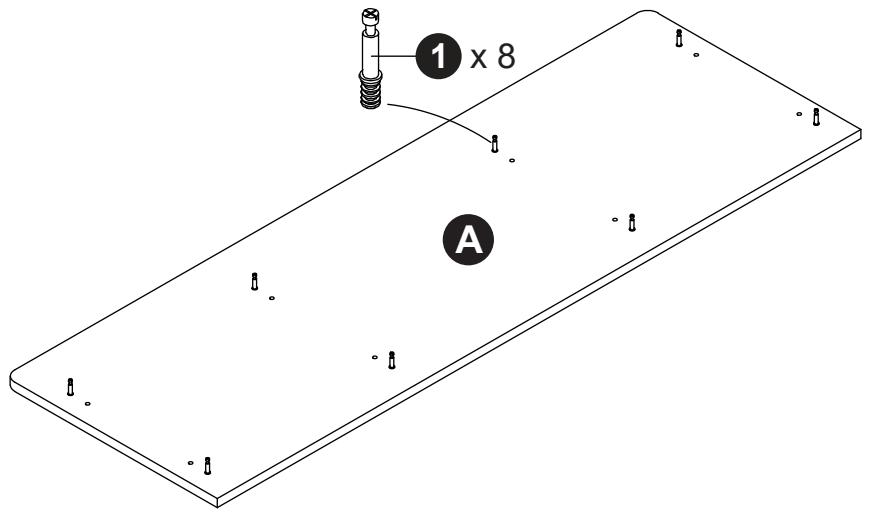
1

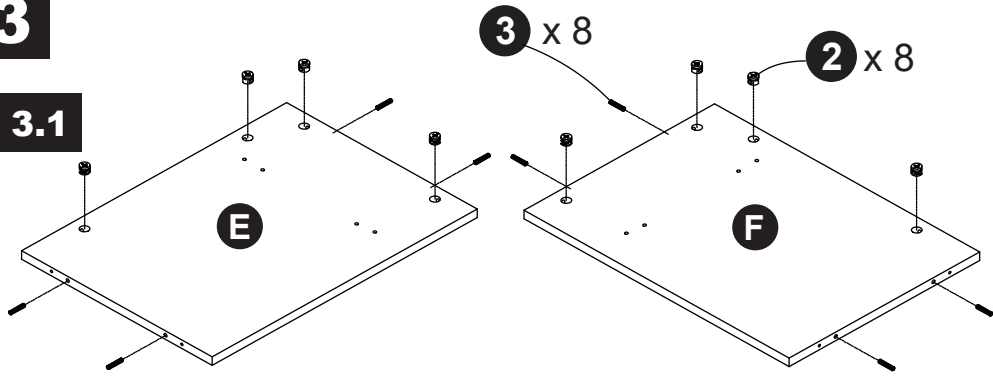
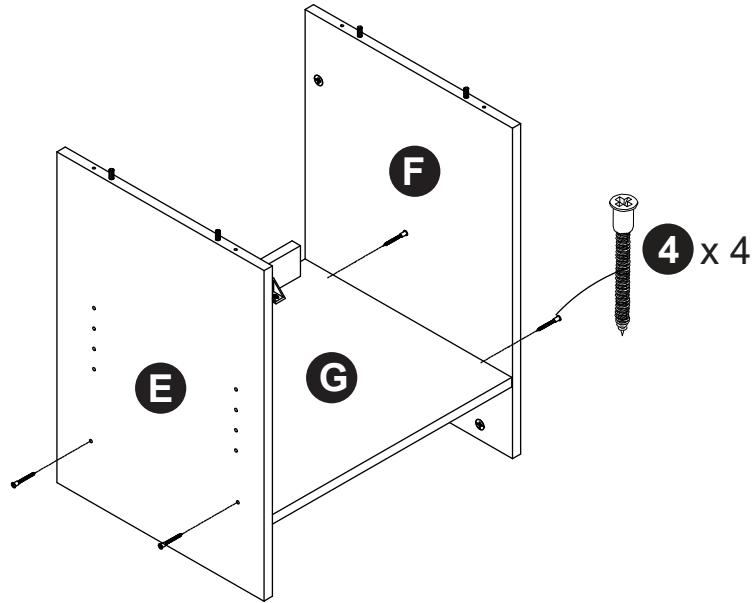
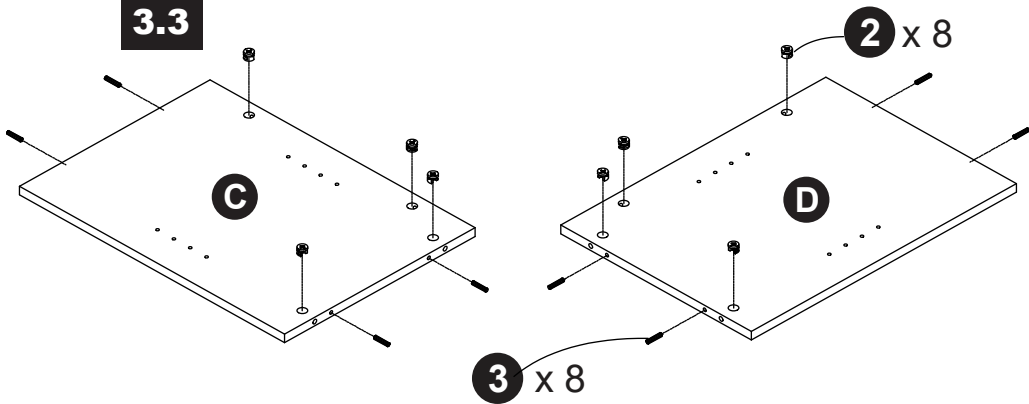


1.2

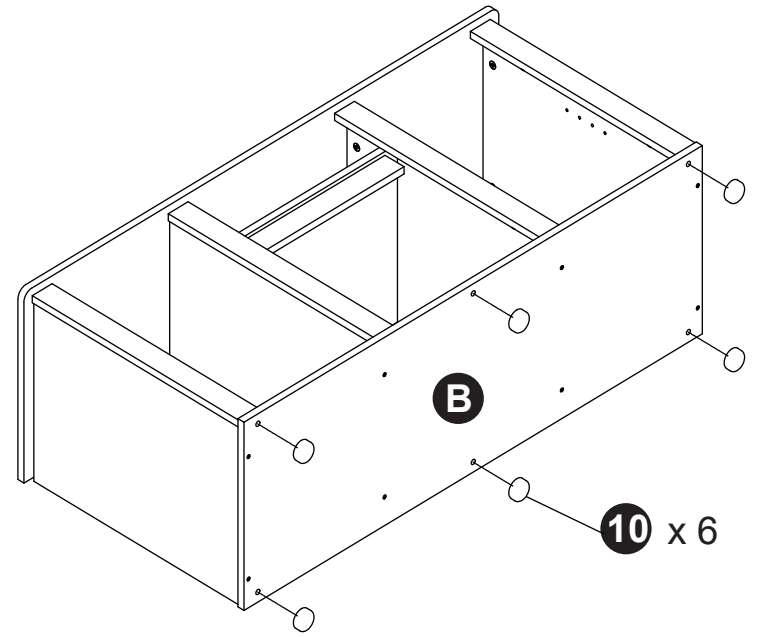
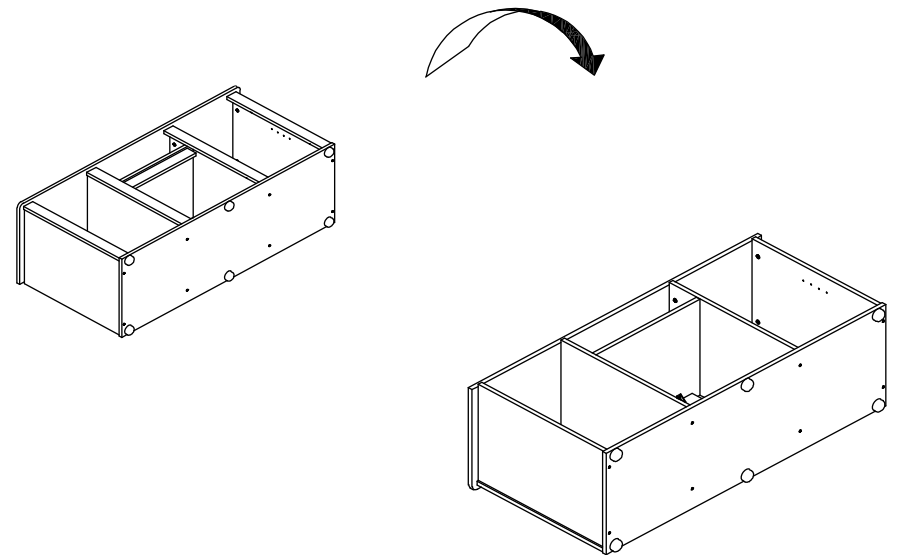


2



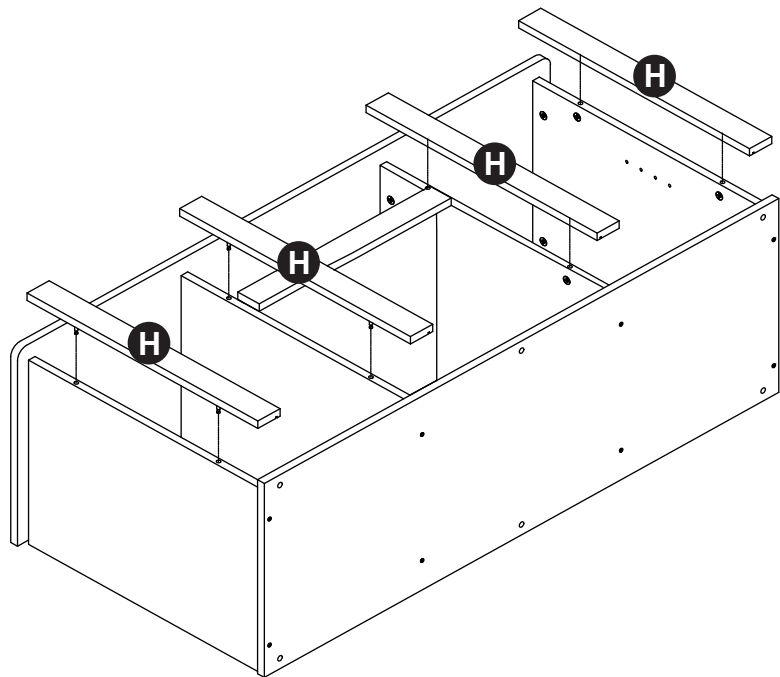
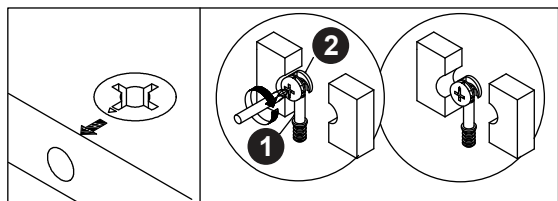
**3****3.1****3.2****3.3**

4

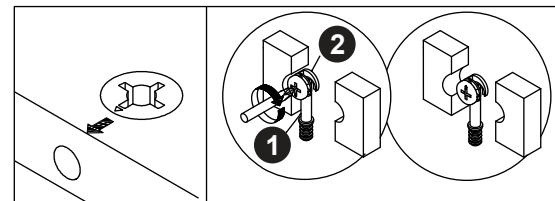
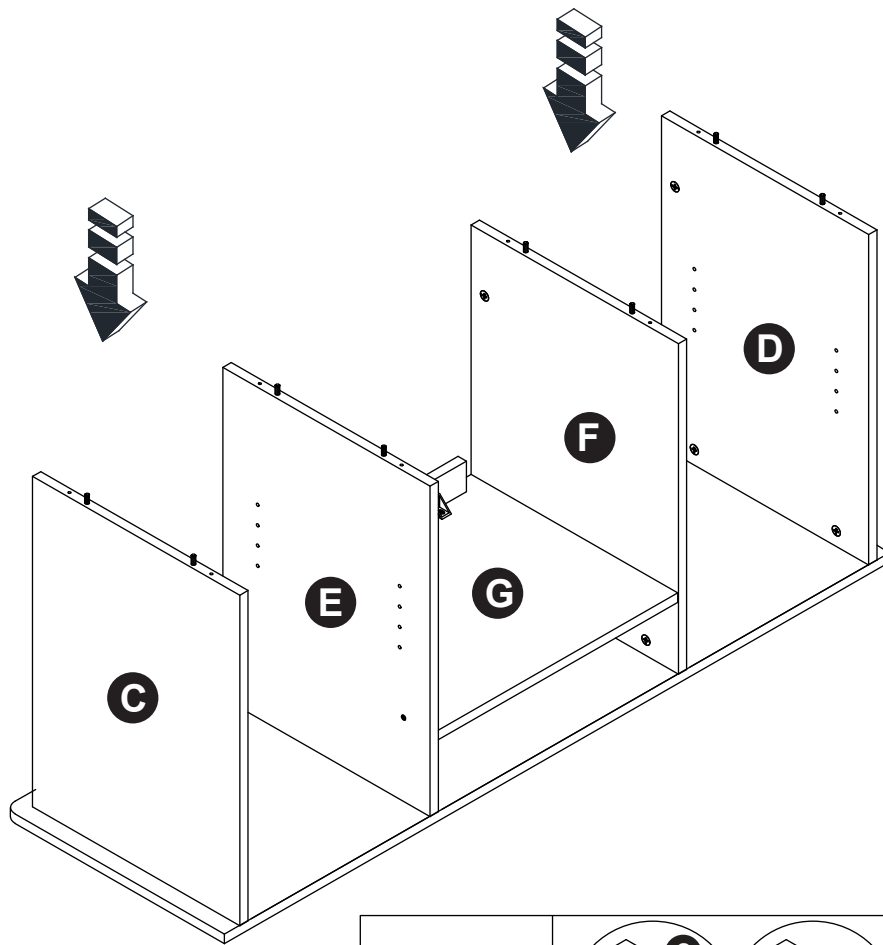
**8****9**

9

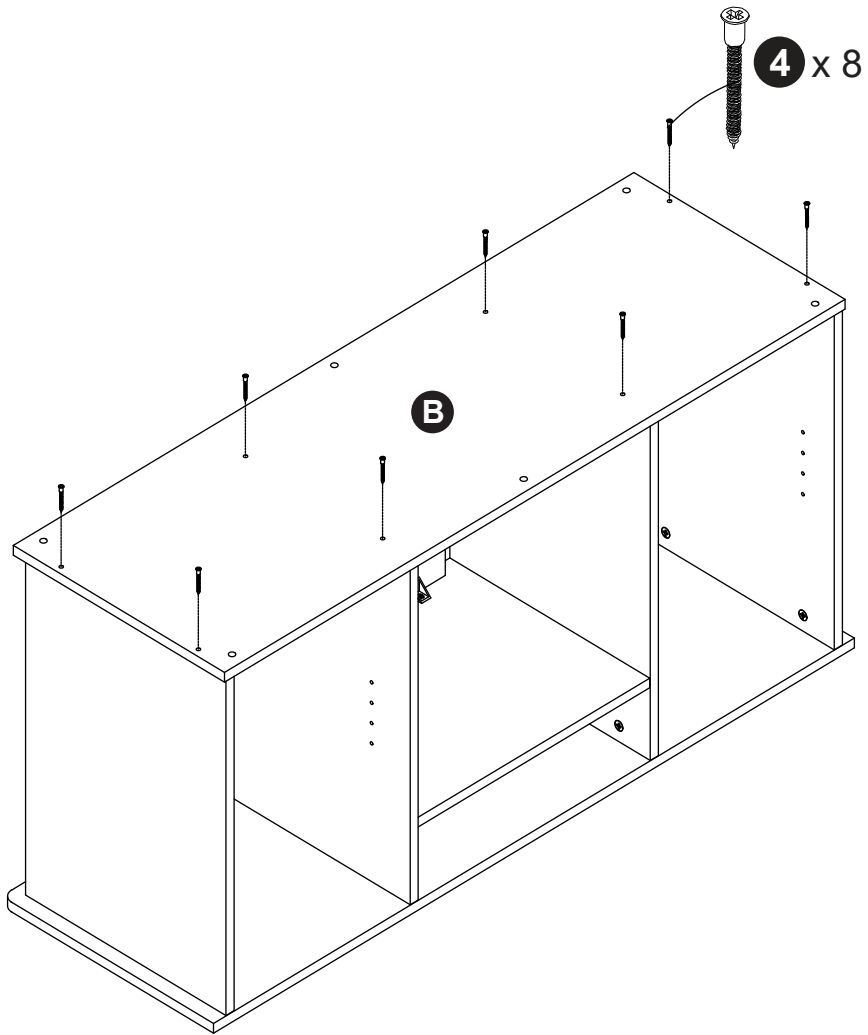
7



4

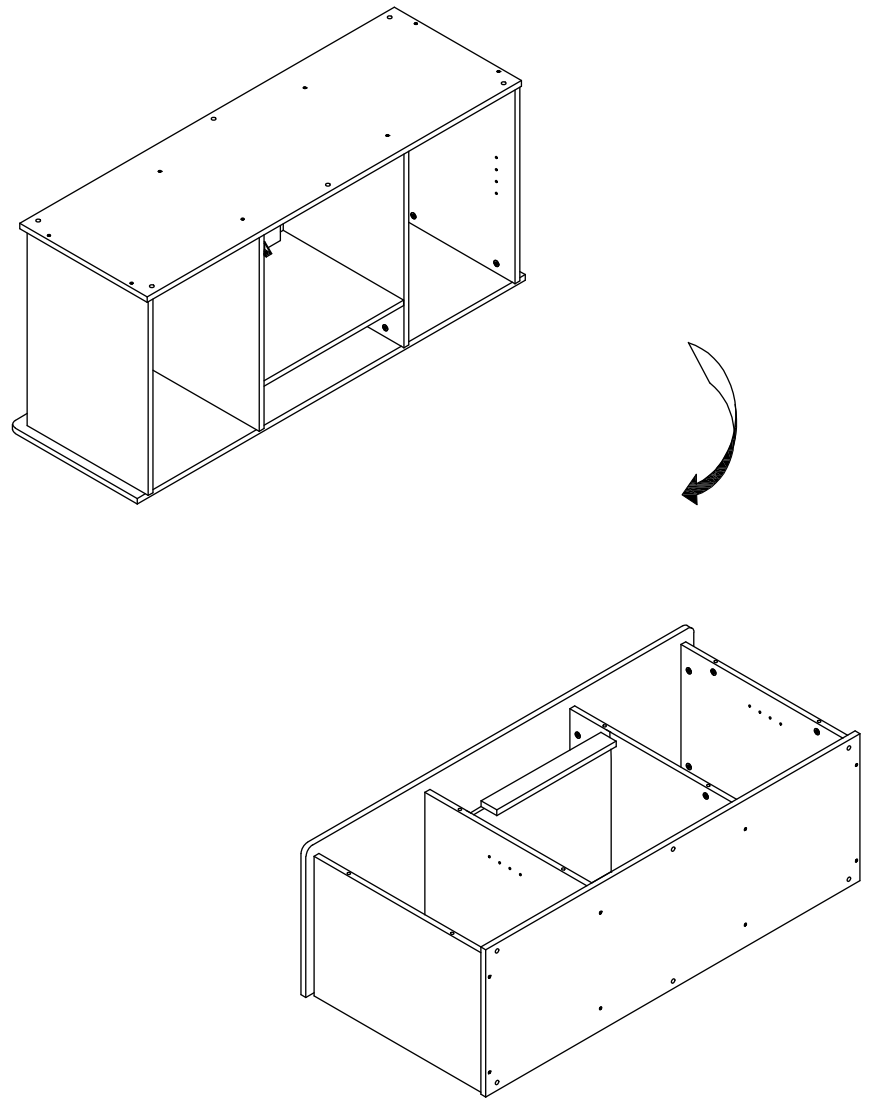


5



6

6



7