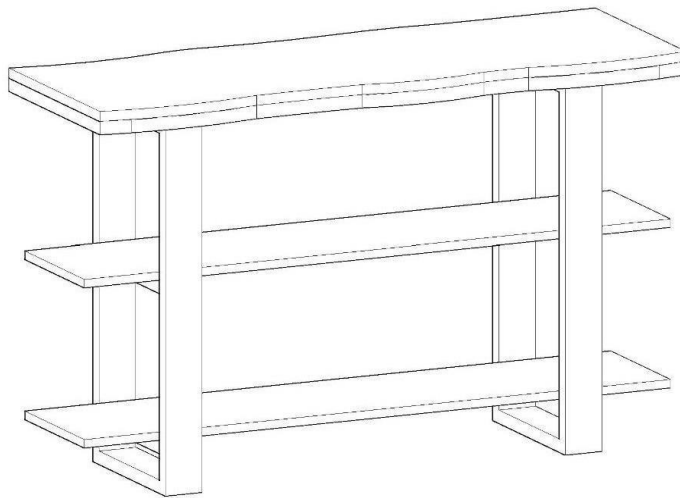


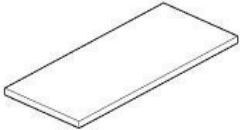

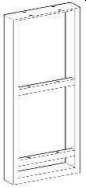
Assembly Instructions

Caution: • You must read this before you proceed.

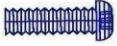
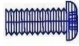

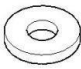

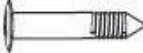





MEDIA CONSOLE



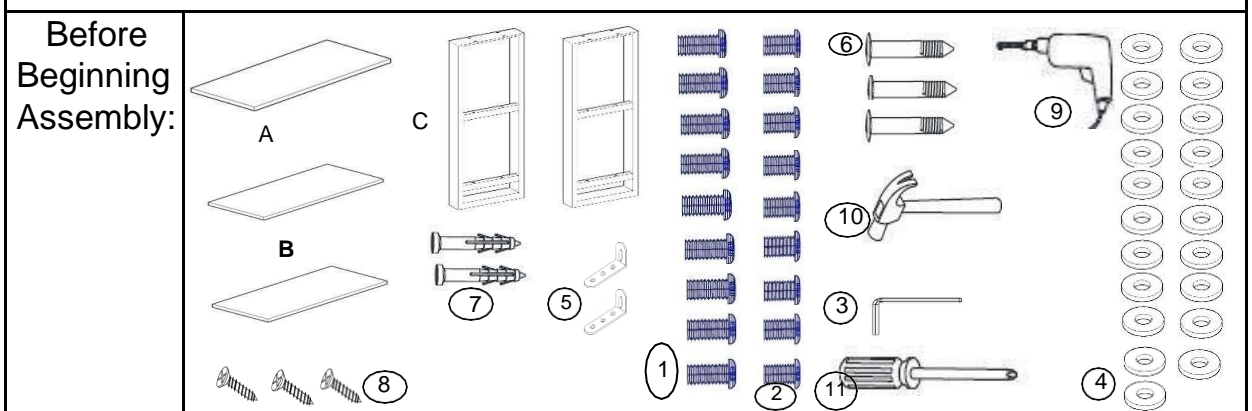
Parts List

Label	Picture	Description	QTY
A		Table Top	1
B		Shelf	2
C		Leg	2

Hardware

Label	Picture	Description	QTY
①		Long Bolt (M6x35mm)	9
②		Short Bolt (M6x20mm)	9
③		Allen Wrench	1
④		Washer	21
⑤		L-Brackets	2
⑥		Long Screws (M4x30mm)	3
⑦		Wall Anchors (M5x30mm)	2
⑧		Screw (M4x12mm)	3
⑨		Power Drill (Not Provided)	1
⑩		Hammer (Not Provided)	1
⑪		Screwdriver (Not Provided)	1

Assembly Preparation





- Read instructions, cover to cover-



- Have 2 adults on hand for assembly-



- Do not assemble on flooring or carpet-



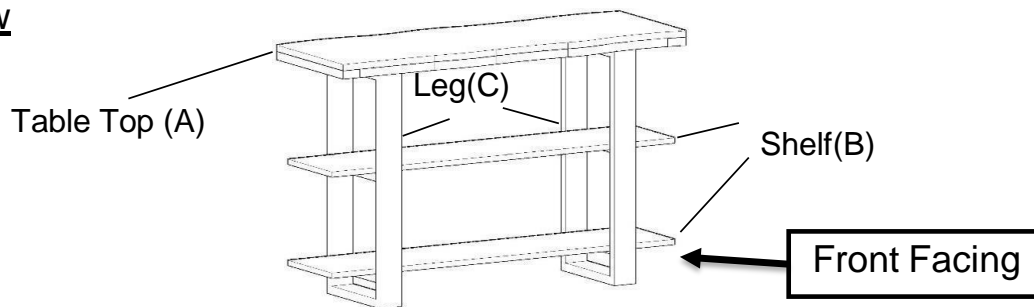
- Assemble on a clean non-marring surface (packing foam)-



- Save all packaging until finished-

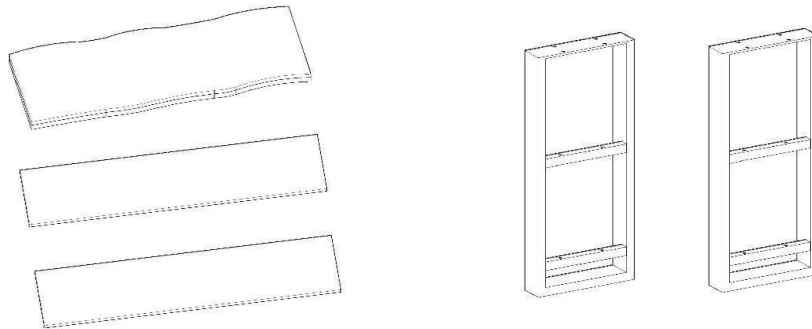
Assembly Steps

Overview



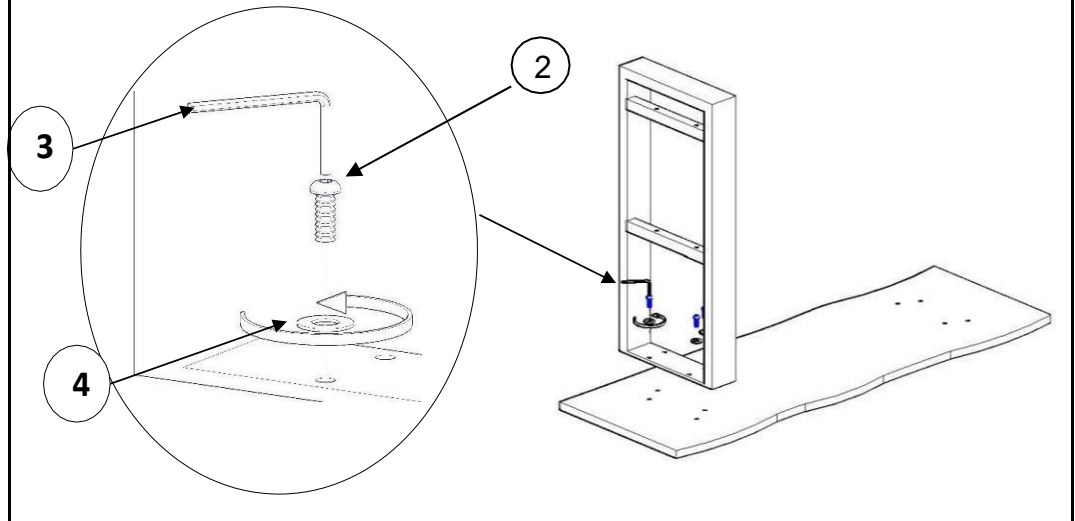
This Media Console has multiple parts and may require up to 30 minutes to assemble. To give you an overview of the Media Console parts, the above picture is to help you put the various parts into perspective. Please read through the instructions below to familiarise yourself with the parts and steps before assembly.

Step 1



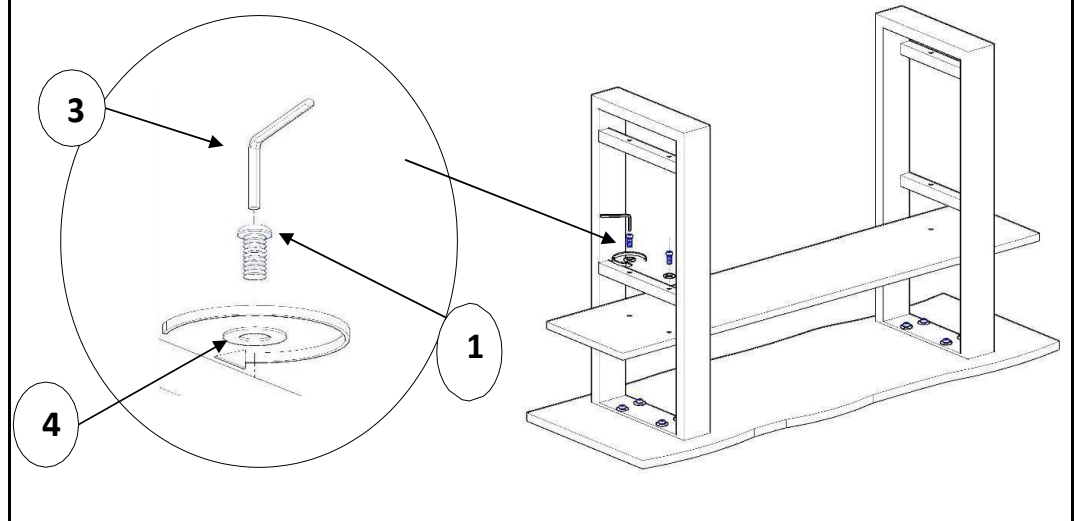
Unpack and place all parts on a clean, non-marring surface.

Step 2



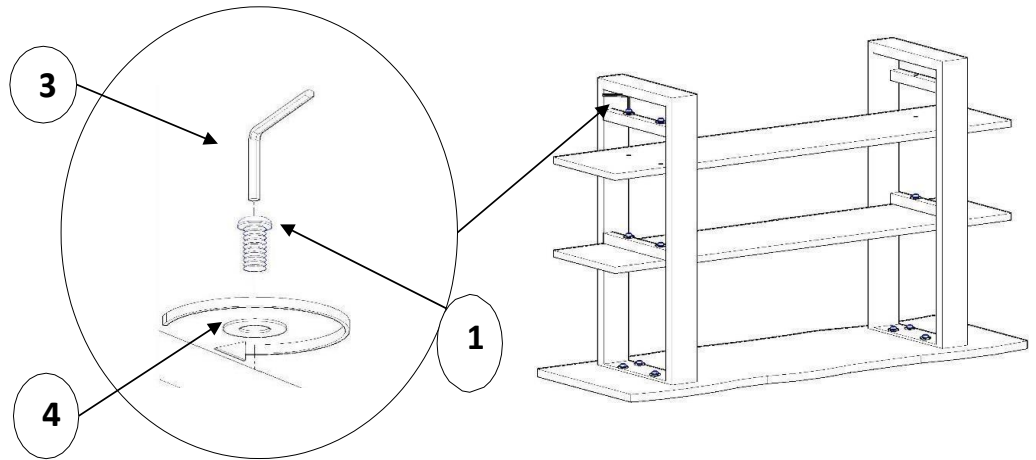
Now placing left Leg named as (C) and fix the same with the help of Allen Wrench (3), Washer (4) and Bolt (2)

Step 3



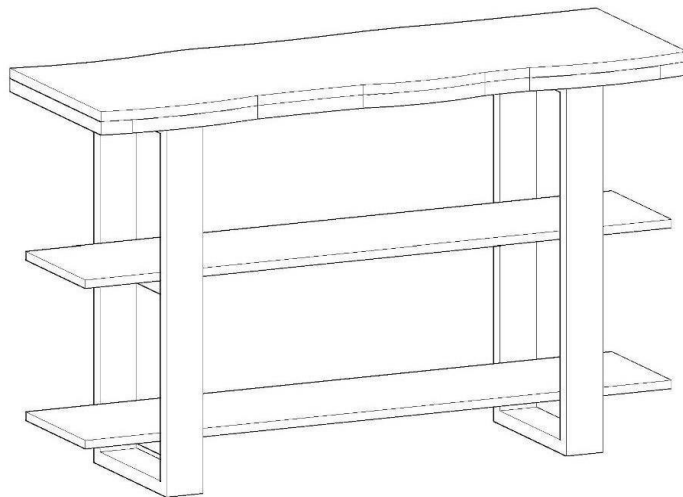
Attach the Shelf (B) on the Leg (C) using the Allen Wrench (3), washer (4) and Bolt (1).

Step 4



Place the 2nd Shelf and repeat step 3. Once all the steps are performed the table is ready to use.

Step 5



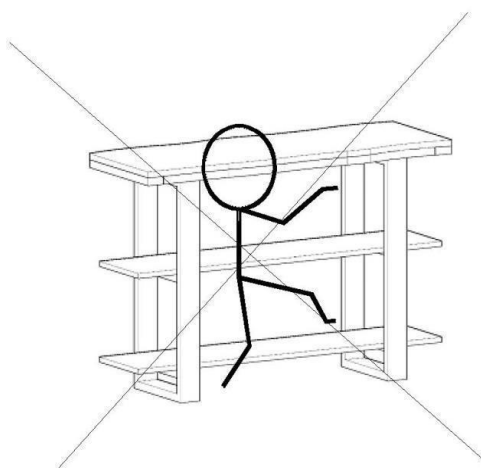
Flip the Console and place it like in the diagram.

Tipover Restraint Device Installation Instructions


WARNING

Serious or fatal crushing injuries can occur from tipping furniture.

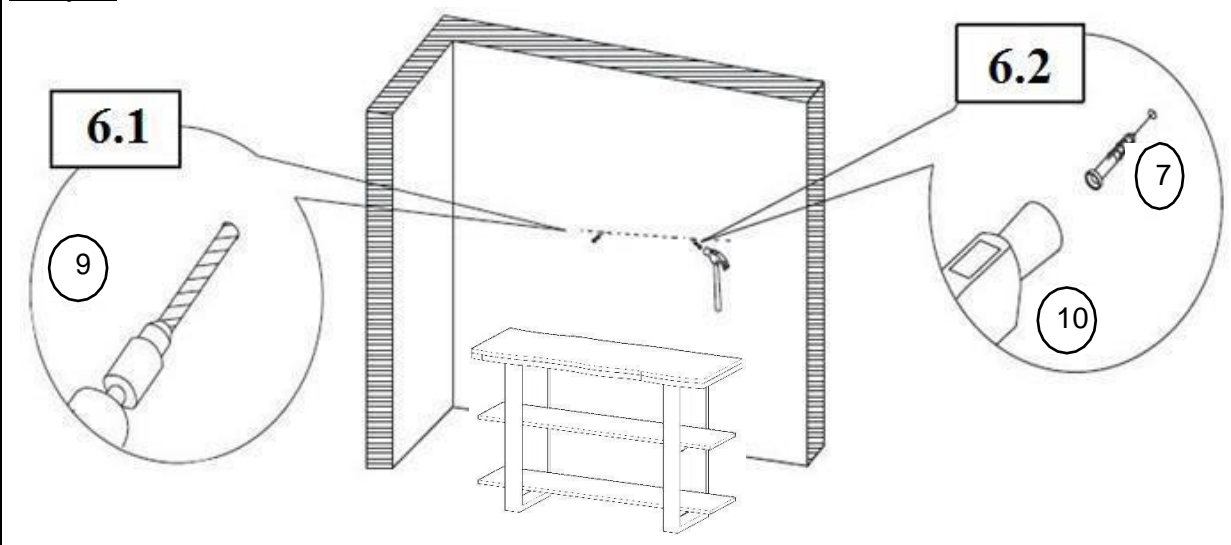
To help prevent tip-over: **ALWAYS** secure this furniture to the wall using Tipover Restraint Device.
See product instructions for more ways to help prevent furniture tip-over.



Usage For Tipover Restraint Device:

To secure Console against wall, attach two L-Brackets  on wall.

Step 6



6.1) Drill two holes on wall at same height of Top shelf with 1.25cm distance from both side of table.

You can mark these points in two ways as below:

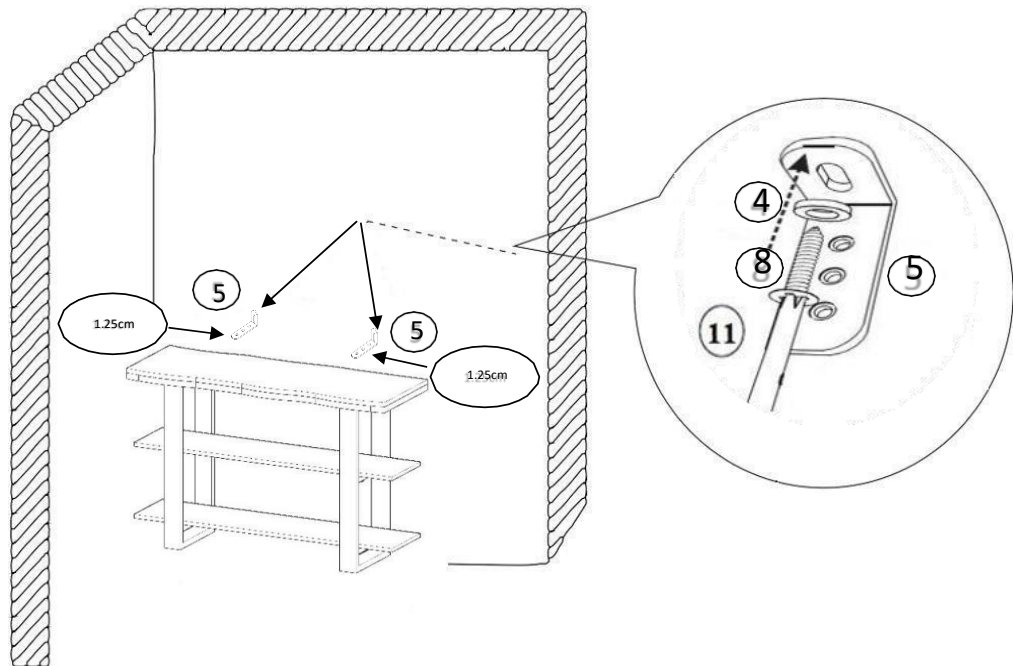
1) Move the Media Console back to the wall. Mark two points same width as Media Console on the wall.

Note: The L-Brackets need to be secured to solid, load bearing surface. Please use a Stud Finder (not supplied) if needed to locate the Wall Frame.

2) Measure the height of the L-Brackets (5) with ruler/measuring tape and mark on wall to keep them accurate and same height and width of the console.

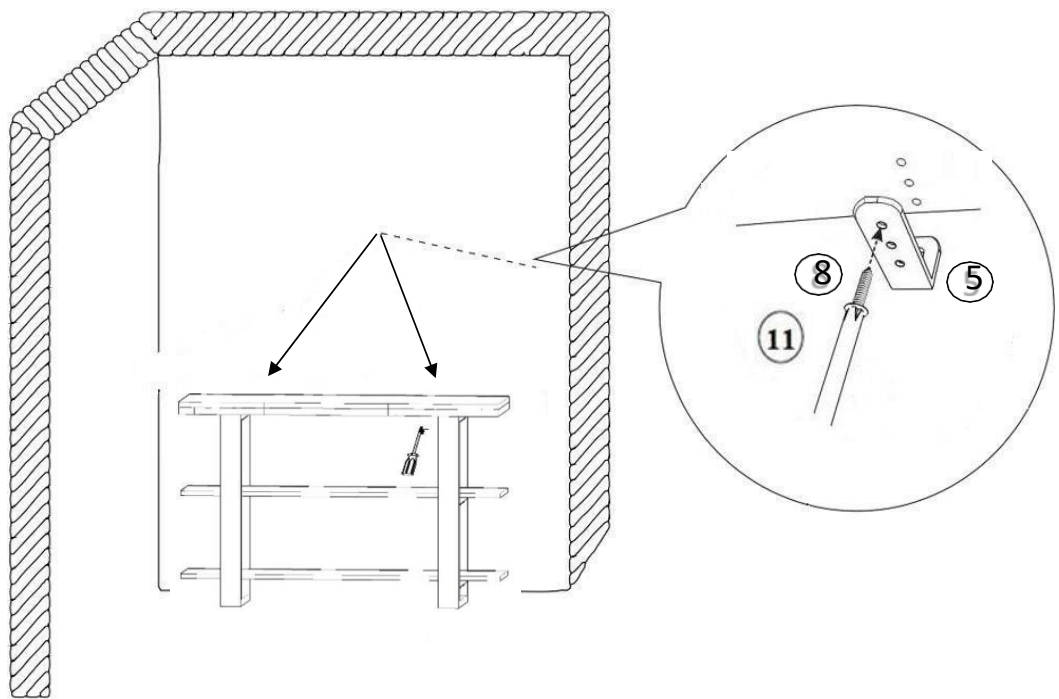
6.2) Insert Wall Plugs (7) into drilled holes on wall with Hammer (10).

Step 7














Attach L-Brackets (5) to Screw (8) using Washer (4) with the help of a Screwdriver (11).

Step 8



Move Media Console to the wall, customer can choose one of 3 Hole for assembly same as other side. Connect the L-Bracket (5) to console with the help of screw (8) and screwdriver (11) same as other side. The Console Table is now ready to use.

Care & Maintenance

	<ul style="list-style-type: none">● Furniture may scratch floors. We recommend using furniture pads to protect your floors.
	<ul style="list-style-type: none">● Do not put hot items directly on furniture surface.
	<ul style="list-style-type: none">● Do not clean furniture with harsh cleansers or polish.
	<ul style="list-style-type: none">● Do not place furniture under direct sunlight.
	<ul style="list-style-type: none">● Do not place furniture near heating or cooling vents.
	<ul style="list-style-type: none">● Do not write on furniture without a padded barrier to protect the surface.
	<ul style="list-style-type: none">● Do not place furniture outside. For indoor use only.
	<ul style="list-style-type: none">● Not for commercial use. For residential use only.
	<ul style="list-style-type: none">● Stains may be removed with mild soap solution and damp cloth.
	<ul style="list-style-type: none">● Children should not climb or jump on the furniture.
	<ul style="list-style-type: none">● Dust and pick-up spills using a clean, non-colored, lint-free cloth.