





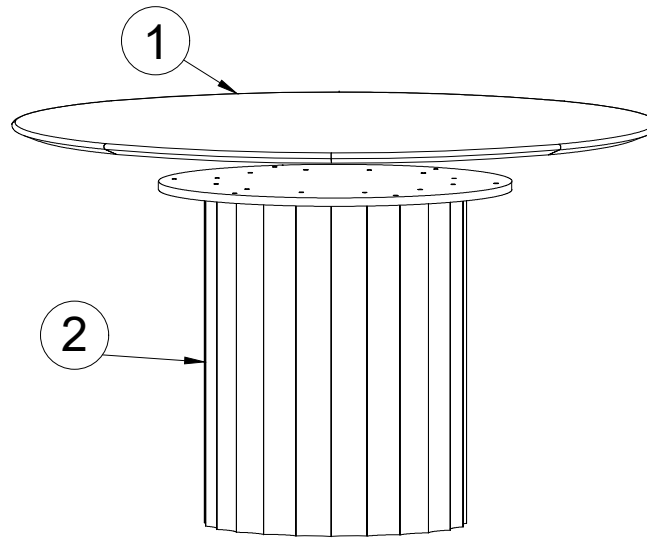
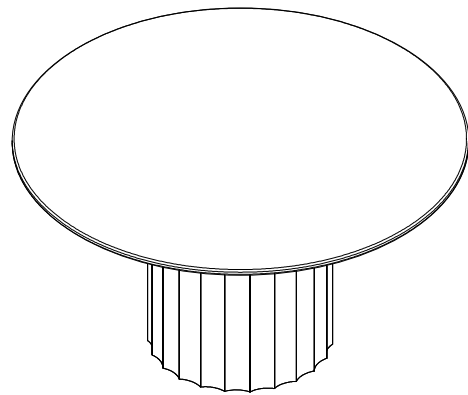


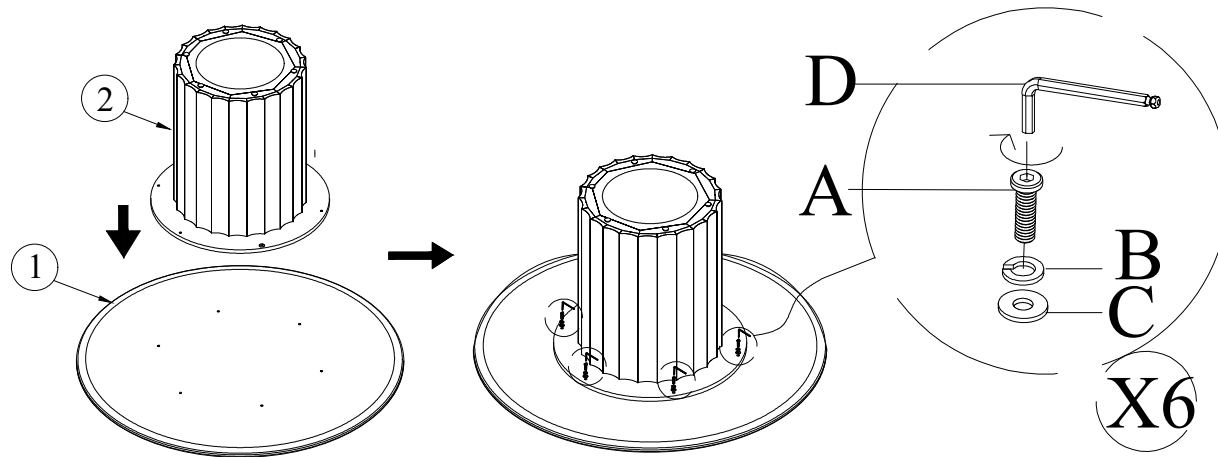
ASSEMBLY INSTRUCTION SCALLOPED DINING TABLE

Part List

1		Top	1
2		Base	1
Name of Hardware			
A		Bolts M6x30mm	6
B		Flat Washer M6x17mm	6
C		Spring Washer M6x13mm	6
D		Allen Key	1

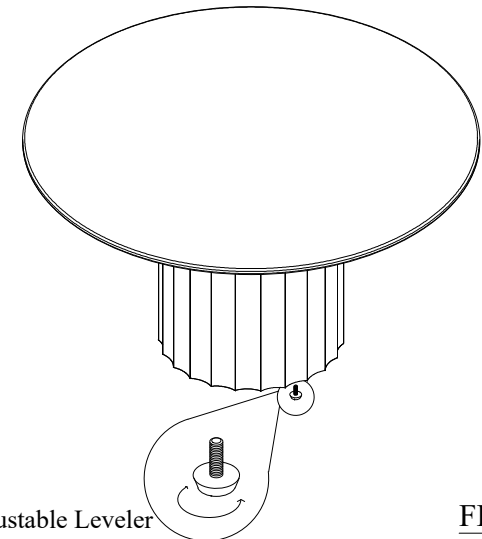


Step 1



MADE IN VIETNAM

Step 2



Adjustable Leveler

FINISH