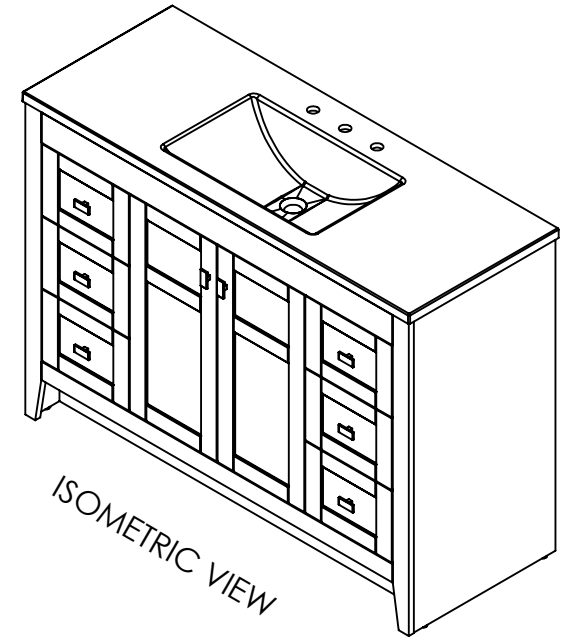
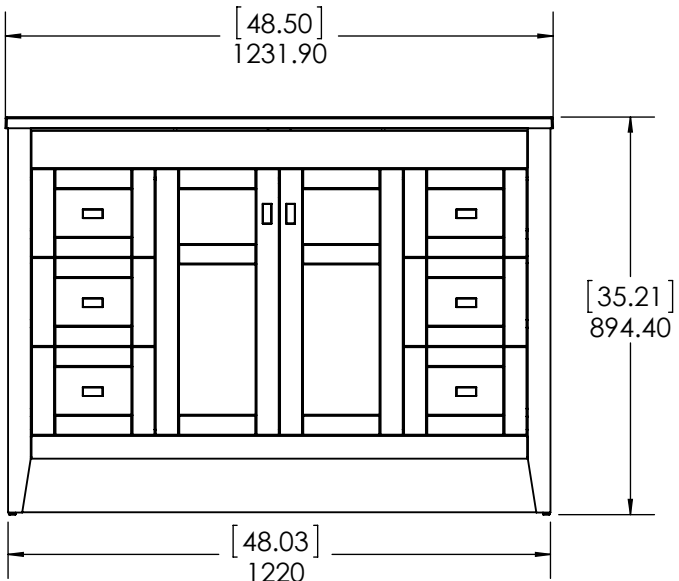


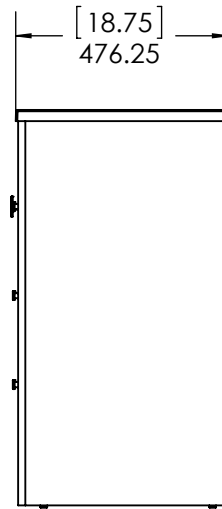
TOP VIEW



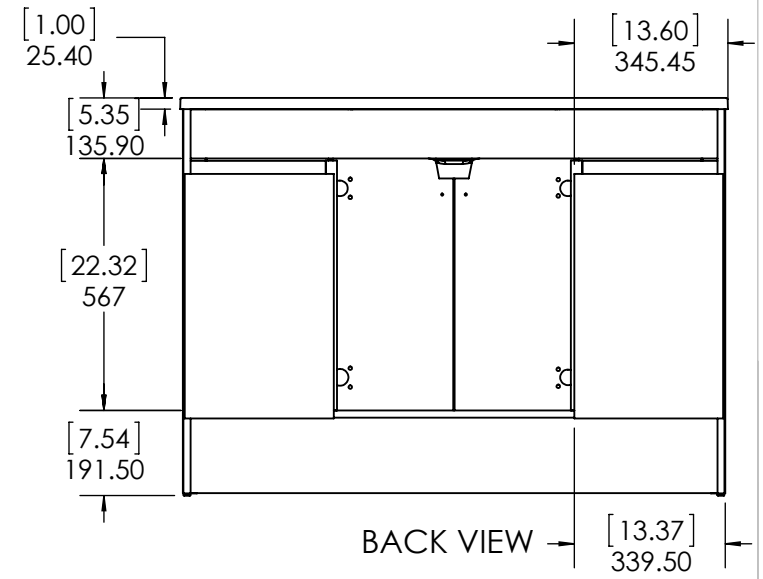
ISOMETRIC VIEW



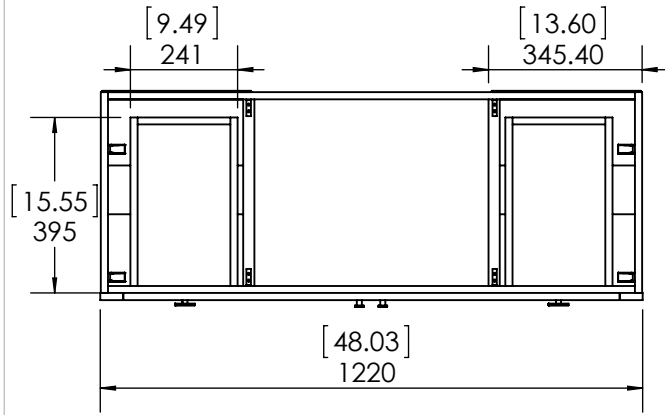
FRONT VIEW



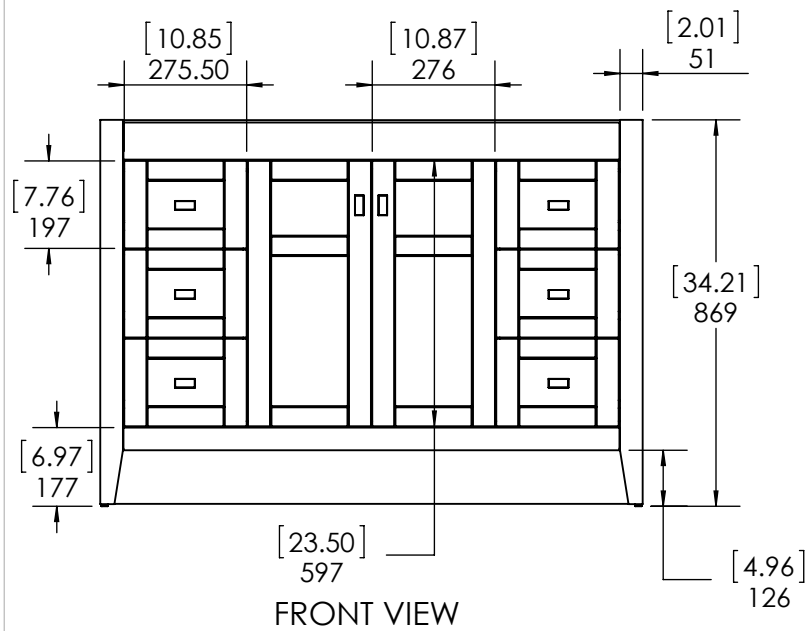
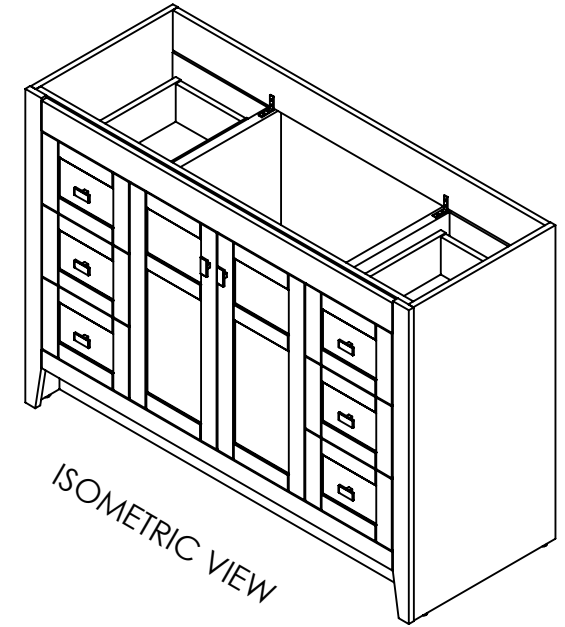
SIDE VIEW



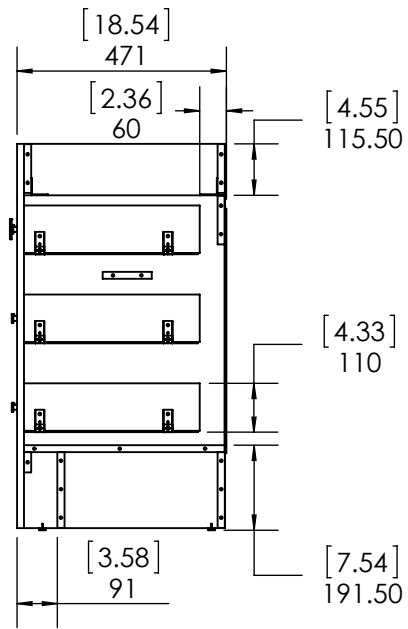
BACK VIEW



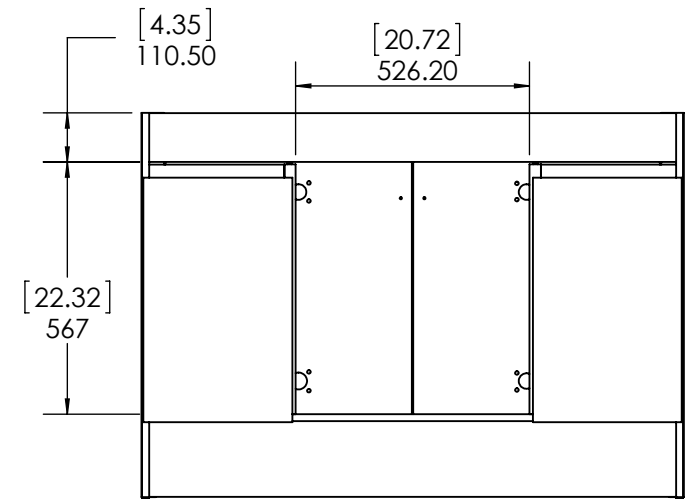
TOP VIEW



FRONT VIEW



SIDE VIEW



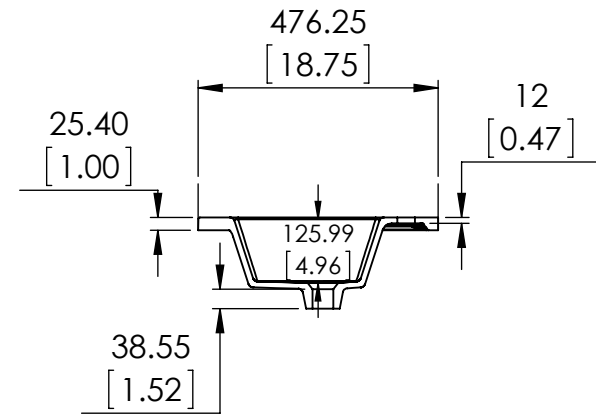
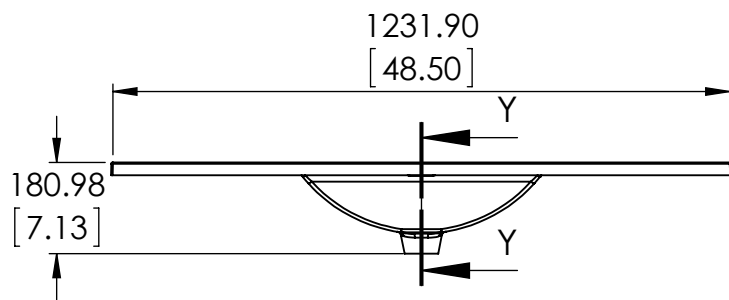
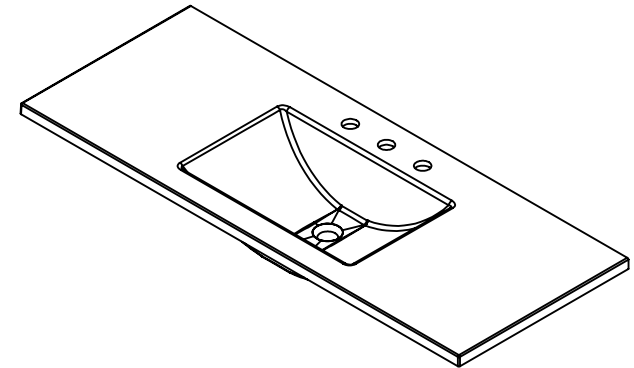
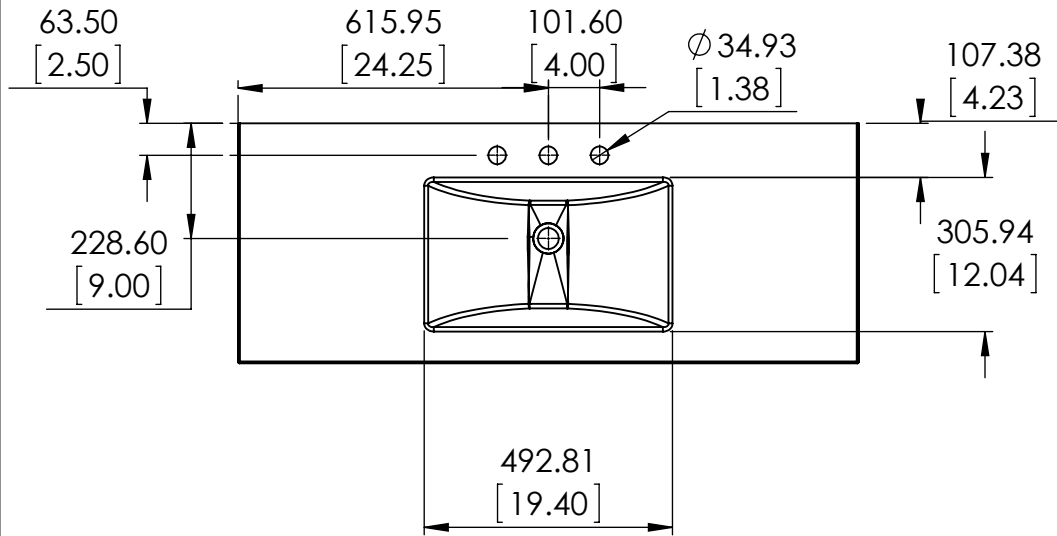
BACK VIEW

ITEM:	W022348P2	REV	B
NAME:	48in W0223 2Pc		
MATERIAL:	----		

DWR	GUMV	03/20/24
REV	ING	
APR	R&D	

ITEM TYPE	ITEM ID	ITEM DESCRIPTION	DRAWING STATUS
FG	595789	Top, Alpine 48.50x18.75in White 8in	R&D

REV	DESCRIPTION	DATE	APPROVAL
0	RELEASED	05/09/23	E. SANDOVAL



PROPRIETARY AND CONFIDENTIAL
 THE INFORMATION CONTAINED IN THIS DRAWING IS THE SOLE PROPERTY OF WOODCRAFTERS. ANY REPRODUCTION IN PART OR AS A WHOLE WITHOUT THE WRITTEN PERMISSION OF WOODCRAFTERS IS PROHIBITED.

UNLESS OTHERWISE SPECIFIED
 DIMENSIONS ARE IN MM. AND [INCHES]
 TOLERANCES ARE
 + 3.175 [0.125] - 3.175 [0.125]
 SCALE: 1:10

	NAME	DATE
DRAWN	G. REYES	4/11/23
CHECKED	O. RAZO	4/11/23
ENG APPR.	J. GUZMAN	4/11/23
MFG APPR.	V. SANCHEZ	4/11/23



SIZE	DWG. NO.	SHEET 1 OF 1
A	FG	