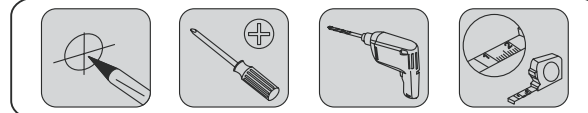


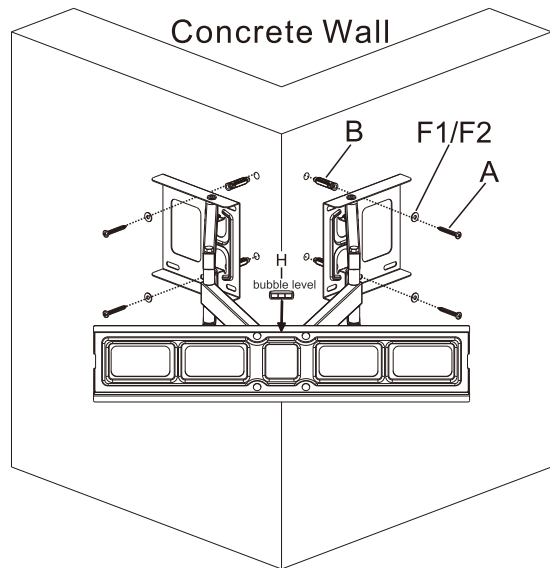
WARNING :

1. The wall installed TV bracket must be firmness and tightness , such as concrete wall , solid brick wall and solid wood wall . Do not install on hollow and floppy walls .
2. Tighten screw so that wall plate is firmly attached , but do not overtighten . Overtightening can damage the screws , greatly reducing their holding power .
3. Do not remove screw or loosen screw until it is no longer engaged with the mount . Doing so may cause the screen to fall .
4. For security option , tighten all the screws with security allen wrench .
5. Plat panel TV mounts should be installed by expert.

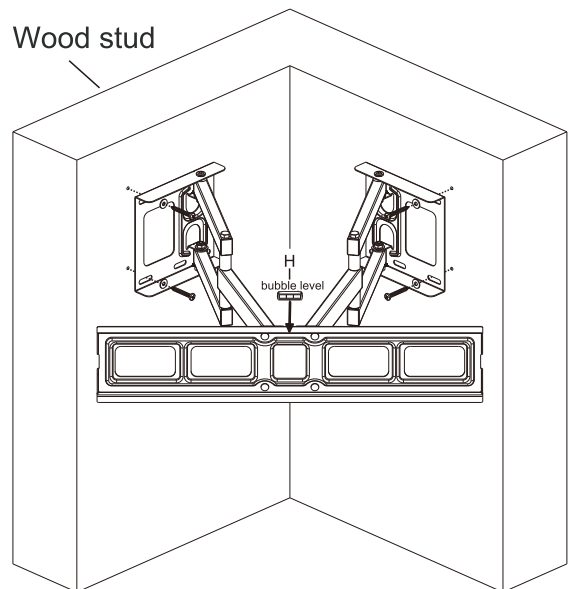
A		6x50mm	4PCS	F1		4PCS
B		10x50mm	4PCS	F2		8PCS
C		4x20mm	4PCS	G		4PCS
D		6x20mm	4PCS	H		1PCS
E		8x20mm	4PCS			



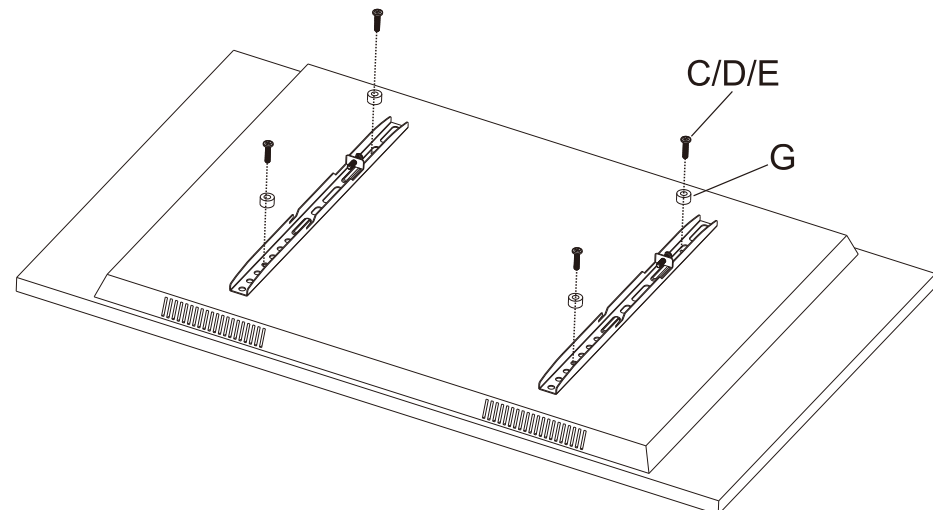
STEP1 A Solid concrete mounting



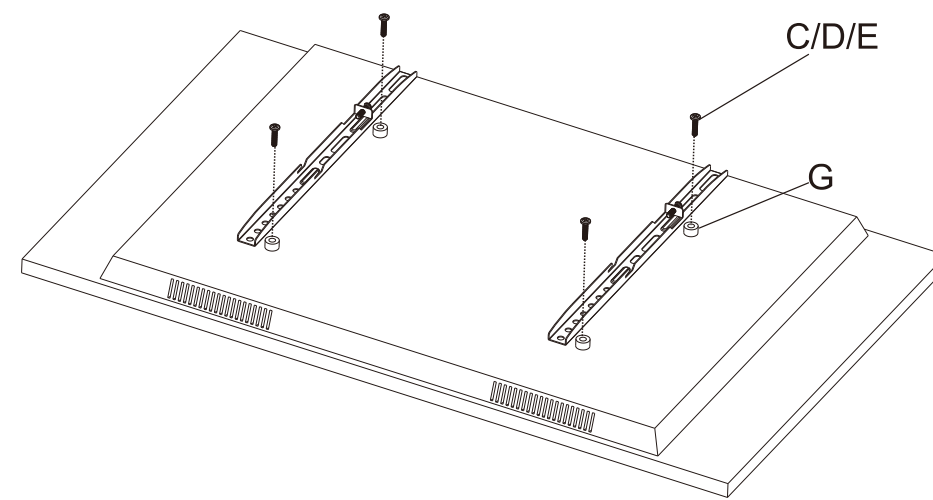
STEP1 B Wood stud mounting



STEP2A Attaching brackets to screen



STEP2B For TVs with a curved back or obstruction



STEP3 Hang the TV onto the wall plate

