

Per Seat Weight Limitation

**100 LBS**

**Thank You For Choosing Our Furniture**

**NOTE:**






This brochure contains  
**IMPORTANT** safety info.  
Please read and keep it  
for future reference.

# MAINTAINANCE AND WARNINGS



## Before You Start

### *Please follow the steps below:*

-  Check the packaging for any damage, deformation, or water stains. If there is significant damage, please contact us promptly.
-  Open the packaging and confirm that the panels, hardware, screws, etc are complete.
-  Please read the installation instructions carefully to understand the installation steps and precautions to ensure proper installation.
-  Clean the installation area in advance and ensure the ground is level and there is enough space to avoid damaging the furniture or making installation difficult.
-  Lay a protective mat on the ground to prevent scratching the floor during installation.

### *After-Sales Service*

- If you encounter any issues or need technical support during use, please contact our after-sales team. We offer long-term maintenance and warranty services.



## Precautions

- ⚠ This product for indoor use only. Do not expose it to outdoor elements or high-humidity environments.
- ⚠ Keep the product away from high heat or open flames to prevent fire hazards.
- ⚠ Do not allow children to climb on the product to prevent personal injury caused by tipping



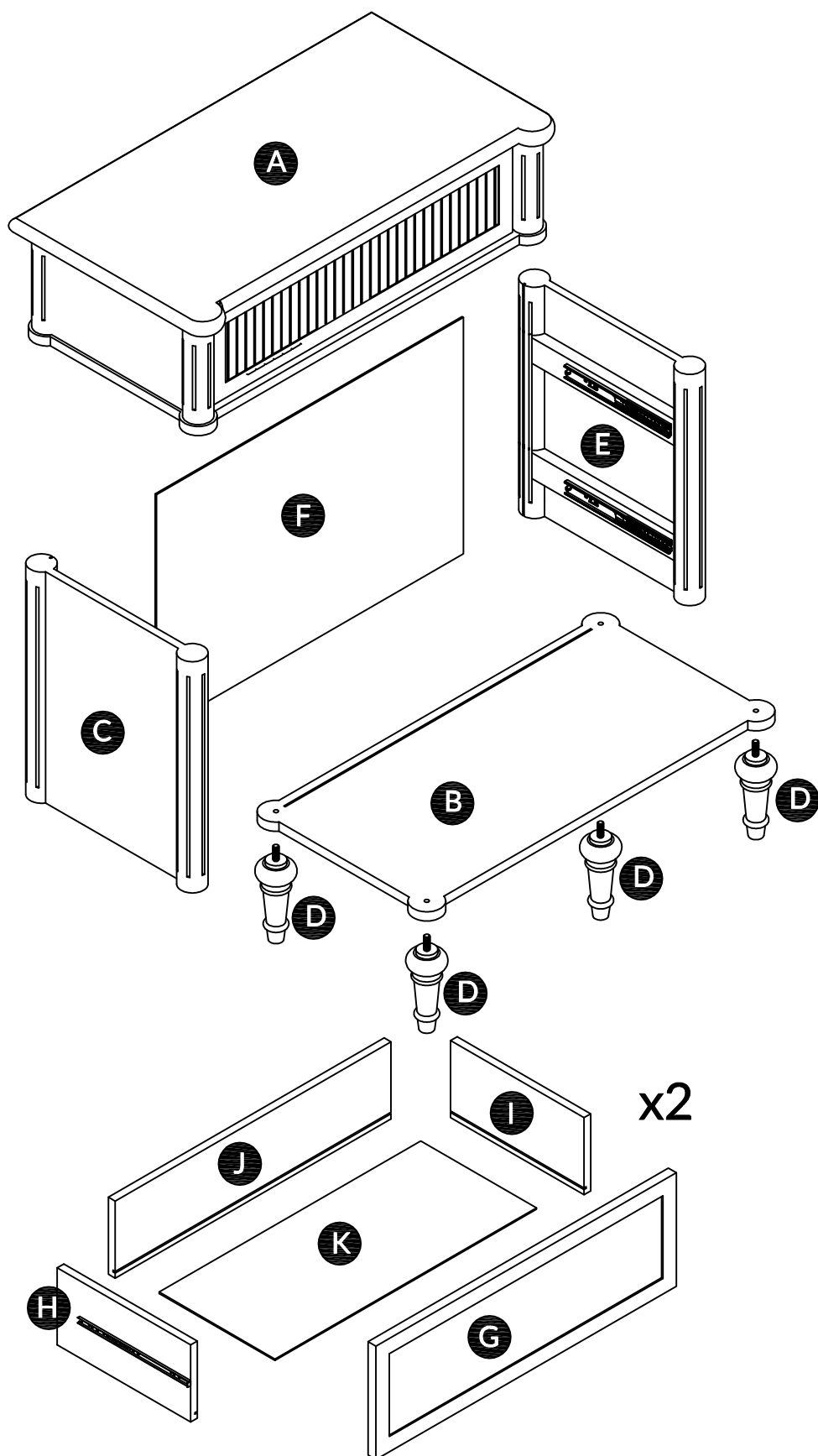
## Safety Warnings

- ⚠ If you notice any loose or damaged parts, stop using the product immediately and contact customer service.
- ⚠ Do not attempt to disassemble or replace any components yourself, as this may affect the stability and safety of the product.

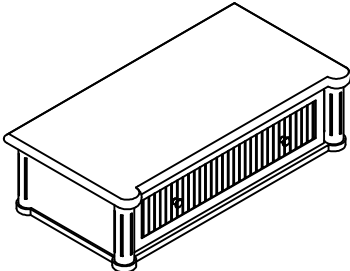
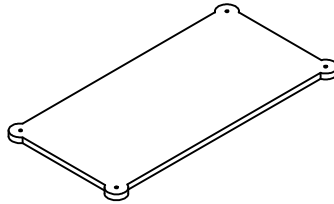
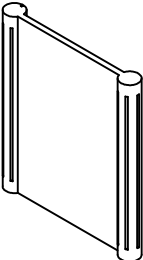
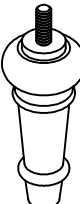
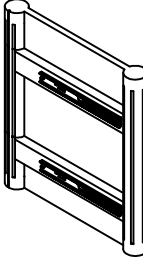
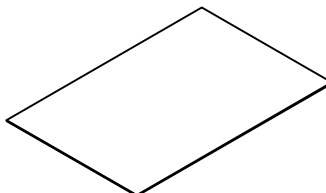
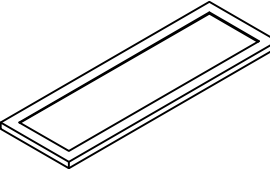
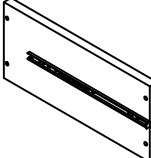
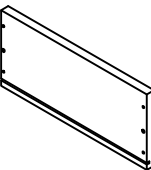
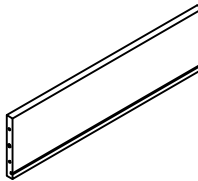
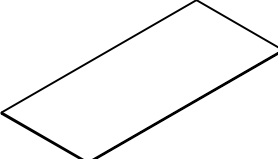
### ***Daily Maintenance***

- Regularly clean the surface of the sofa with a soft cloth to prevent dust accumulation.
- Do not use cleaning agents containing acids, alkalis, or corrosive substances, as they may damage the surface. It is recommended to use neutral cleaning agents or specialized furniture cleaners
- Avoid exposing furniture to humid environments for extended periods to prevent swelling or deformation of the boards. Use a dehumidifier or desiccant during humid weather.
- Avoid direct contact of furniture with water. If water is accidentally spilled, wipe it dry immediately.
- Avoid placing excessively heavy objects on the furniture: ensure the weight is within a reasonable load-bearing range.
- Avoid using sharp or rough items on the furniture surface to prevent scratches, Handle items gently when moving them

**Explosive view**

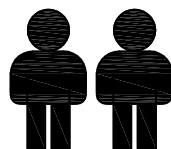


# Parts list

|   |   |   |
|---|---|---|
| <b>A</b><br><br>x1   | <b>B</b><br><br>x1  |   |
| <b>C</b><br><br>x1  | <b>D</b><br><br>x4   | <b>E</b><br><br>x1   |
| <b>F</b><br><br>x1 | <b>G</b><br><br>x2 | <b>H</b><br><br>x2 |
| <b>I</b><br><br>x2 | <b>J</b><br><br>x2 | <b>K</b><br><br>x2 |

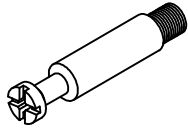

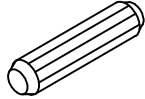
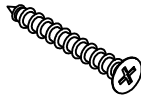
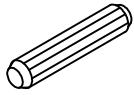
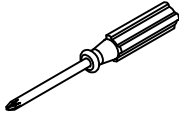
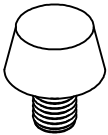





Installation:  
30minutes.



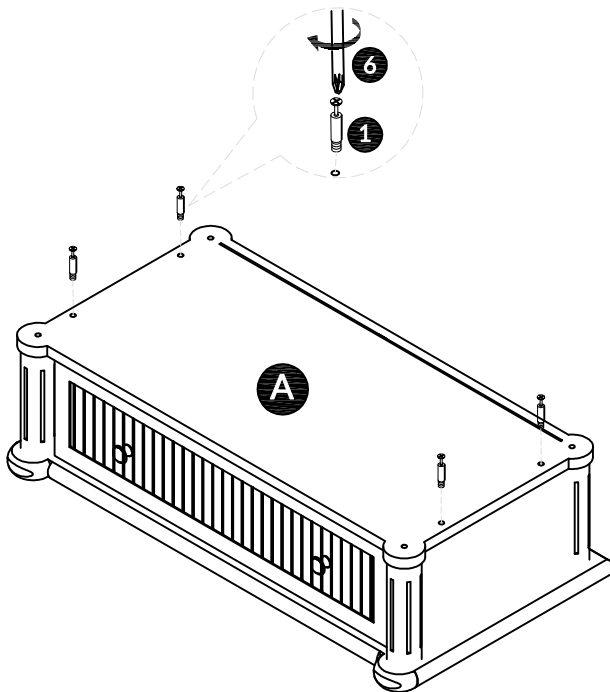
Two Person

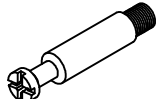
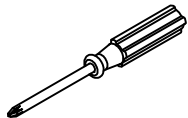
## Hardware List

|   |    |   |    |   |    |  |       |   |      |
|---|----|---|----|---|----|--|-------|---|------|
| <b>1</b>  | x4 | <b>2</b>  | x4 | <b>3</b>  | x4 | <b>4</b>   | x16+2 | <b>5</b>  | x4+1 |
|  |    |  |    |  |    |  |       |  |      |
| D6x35mm   |    | D15x11mm  |    | D8x30mm   |    | D3x35mm  |       | M6x30mm   |      |
| <b>6</b>  | x1 | <b>7</b>  | x4 | <b>8</b>  | x1 | <b>9</b>   | x4    | <b>10</b>   | x4   |
|  |    |  |    |  |    |  |       |  |      |
|   |    |   |    |   |    |  |       | M4x20mm   |      |

## Step 1

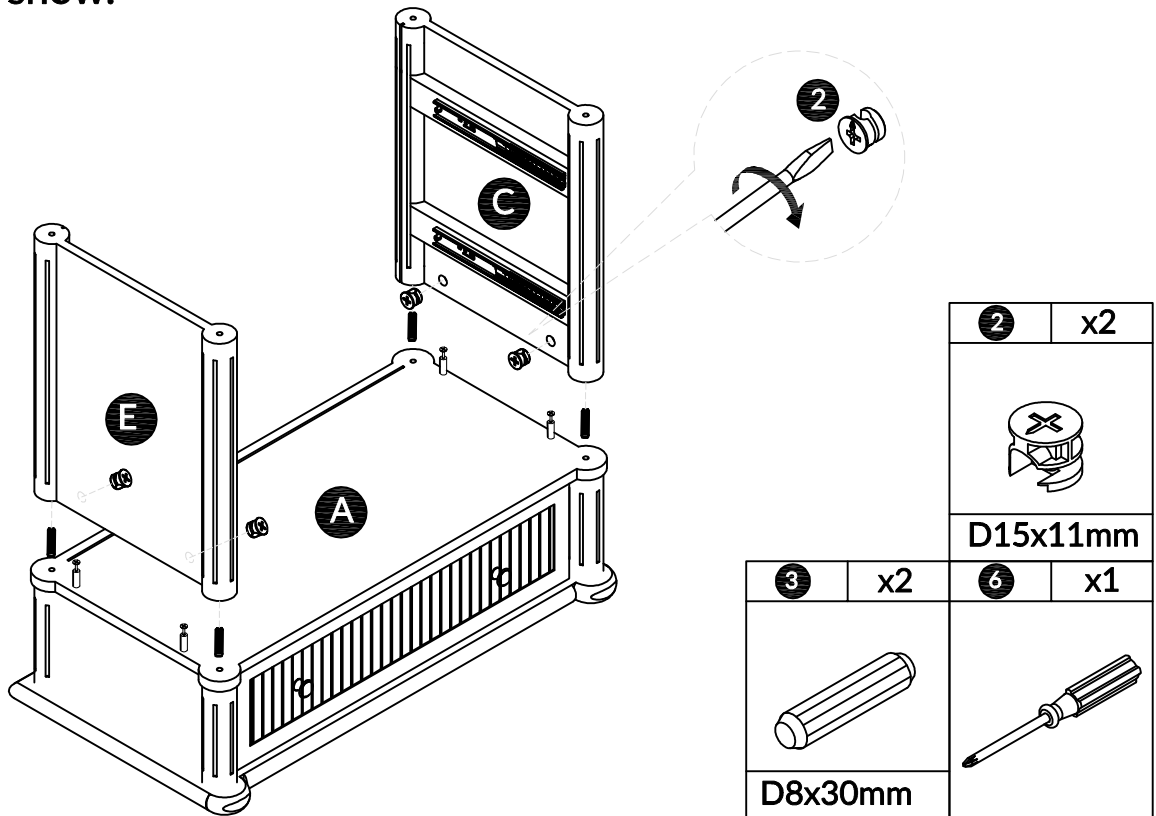
Insert 1 into the top panel(A) as picture show.



|   |    |   |    |
|---|----|---|----|
| <b>1</b>  | x4 | <b>6</b>  | x1 |
|  |    |  |    |
| D6x35mm   |    |   |    |

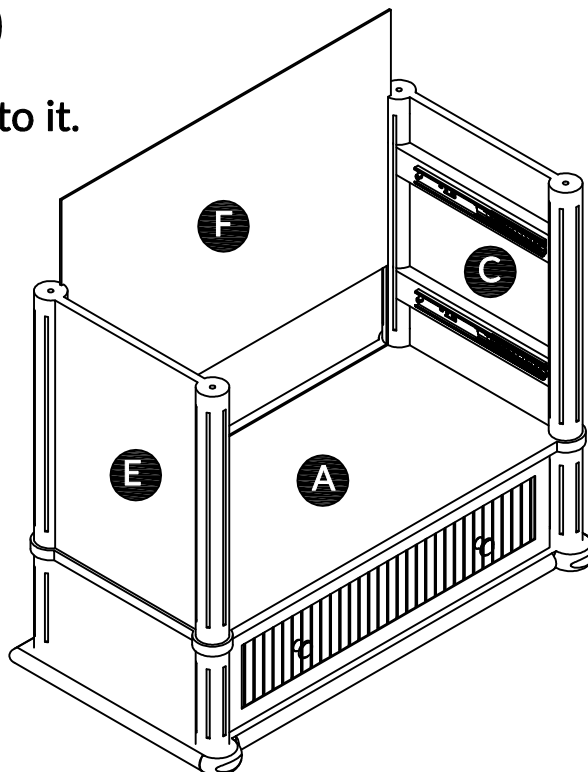
## Step 2

Insert side panel (C/E) into the corresponding hole of top panel(A) , make sure all holes aligned and use combiner 2 and 6 to tighten it as picture show.



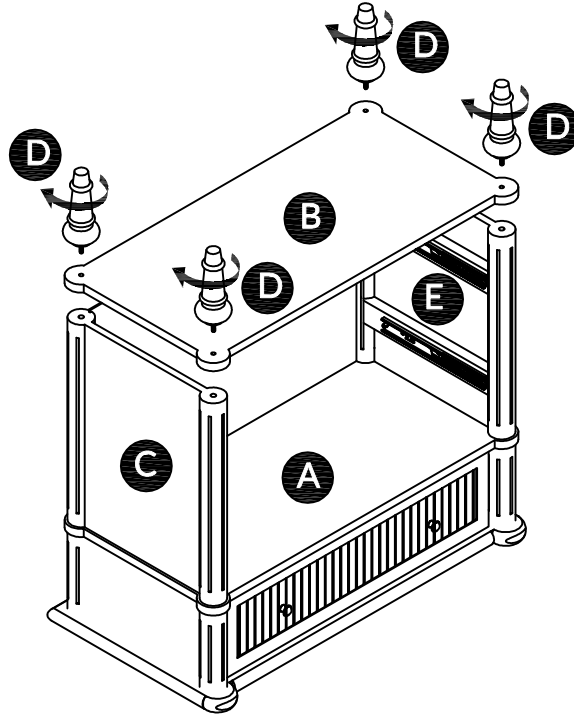
## Step 3

Attach panel(F) to it.



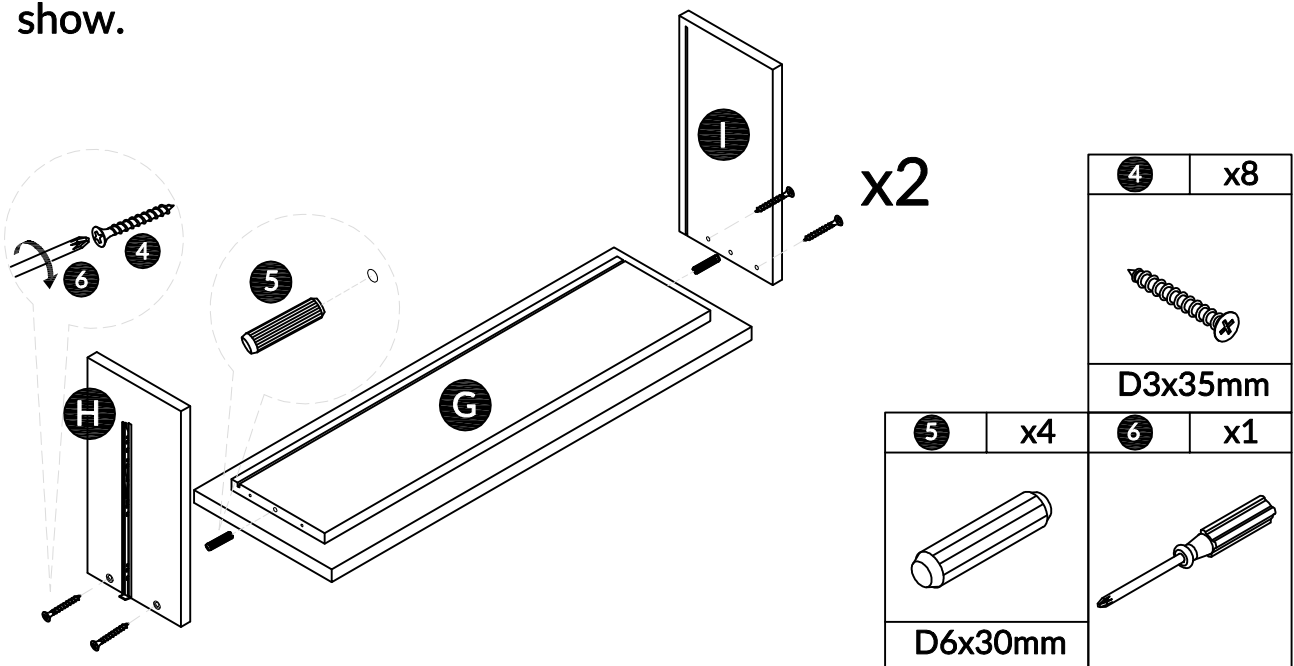
## Step 4

Insert leg (D) into the corresponding hole of bottom panel (B), make sure all holes aligned as picture show.



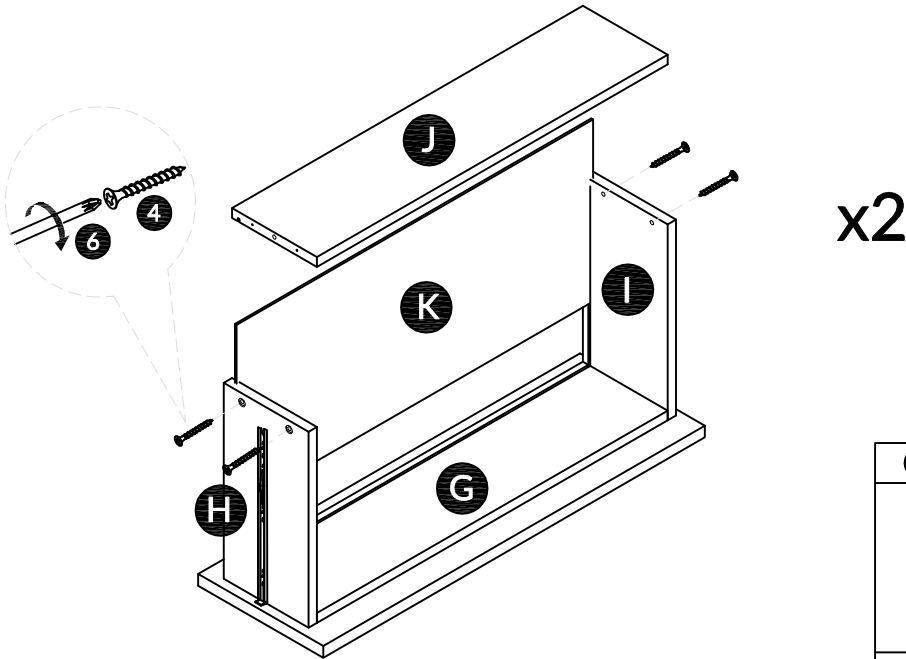
## Step 5

Insert side panel (H/I) into the corresponding hole of panel (G), make sure all holes aligned and use 4 and 5 to tighten it as picture show.



## Step 6

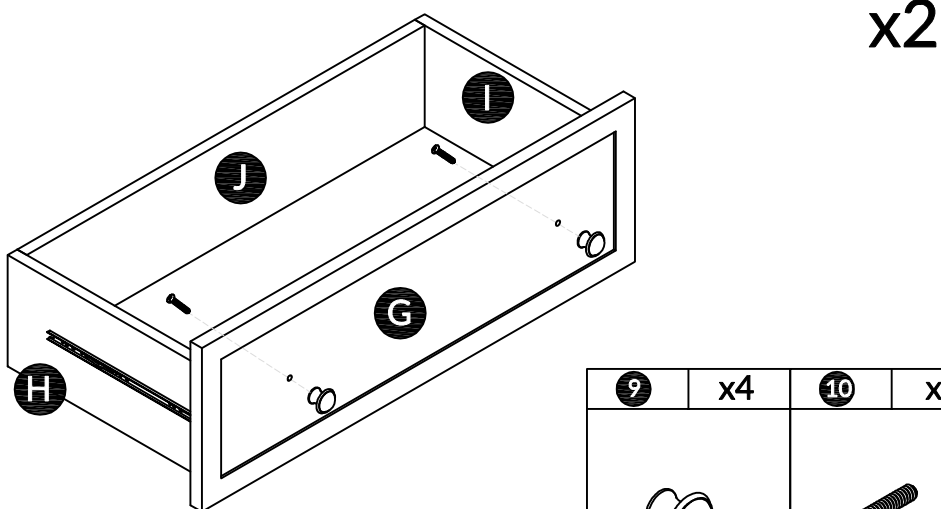
Insert side panel (J) into the corresponding hole of panel (H/I) , make sure all holes aligned and use 4 to tighten it as picture show.



|         |    |   |    |
|---------|----|---|----|
| 4       | x8 | 6 | x1 |
|         |    |   |    |
| D3x35mm |    |   |    |

## Step 7

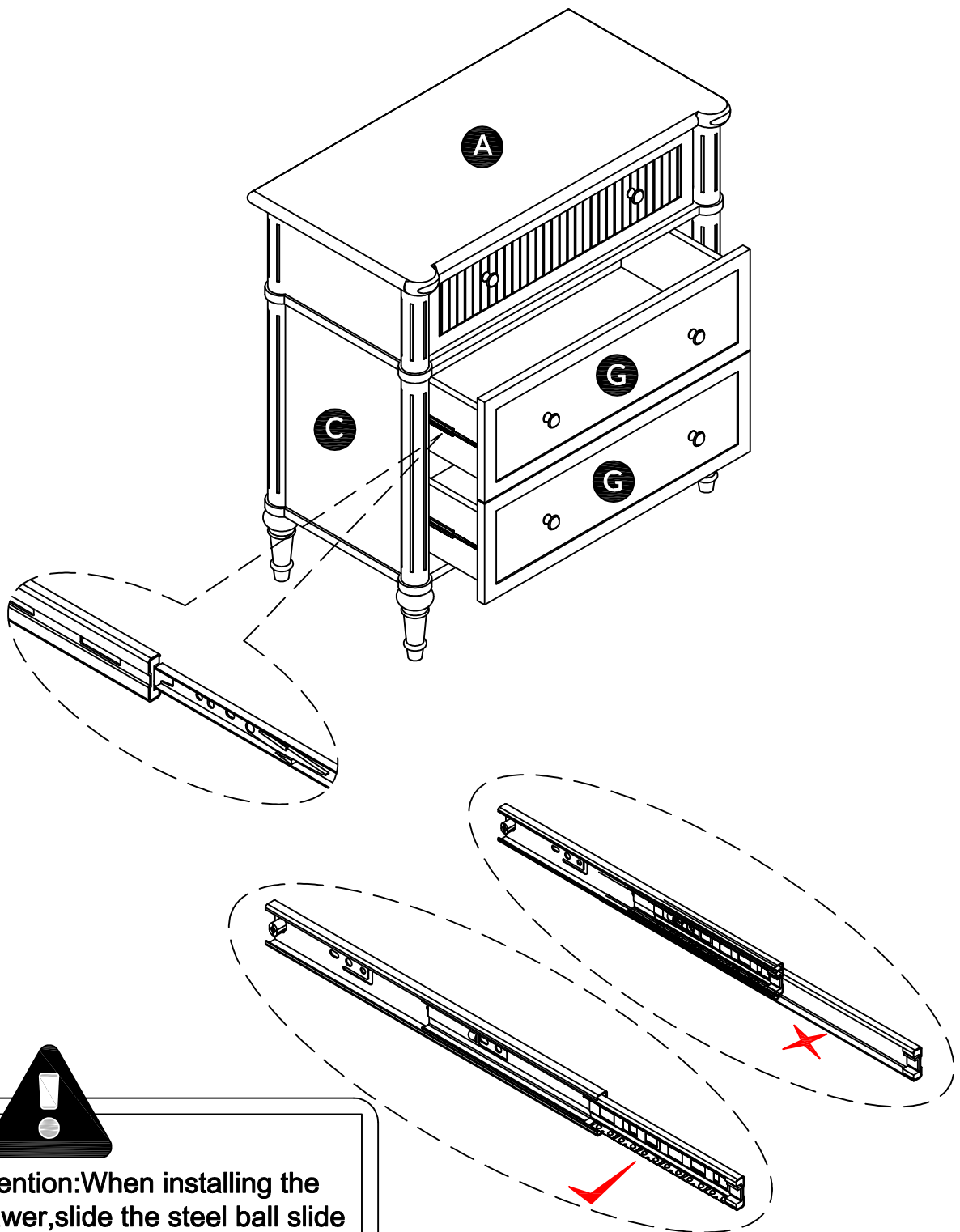
Use (9/10) into the corresponding hole of panel (G), make sure all holes aligned as picture show.



|   |    |         |    |   |    |
|---|----|---------|----|---|----|
| 9 | x4 | 10      | x4 | 6 | x1 |
|   |    |         |    |   |    |
|   |    | M4x20mm |    |   |    |

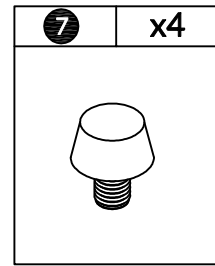
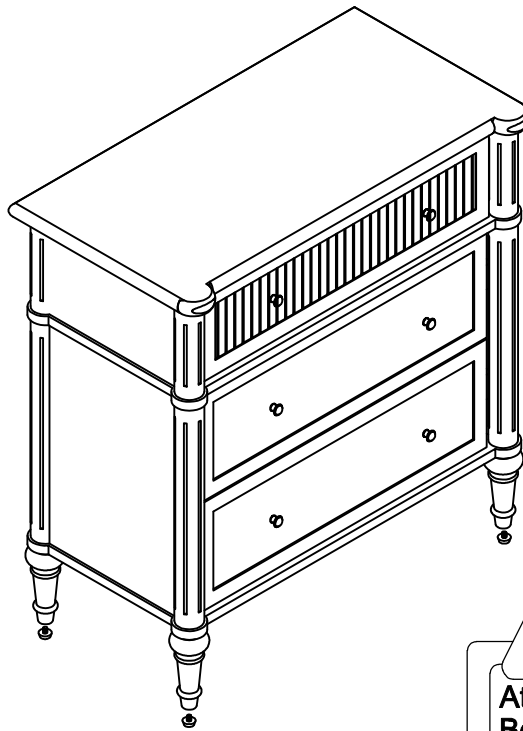
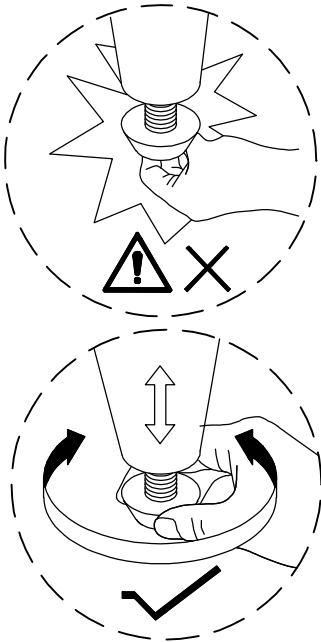
## Step 8

Insert shelf G into the panel (B/C)



**Attention:** When installing the drawer, slide the steel ball slide rail of side panel to the most front as picture show.

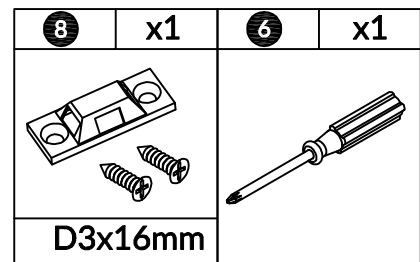
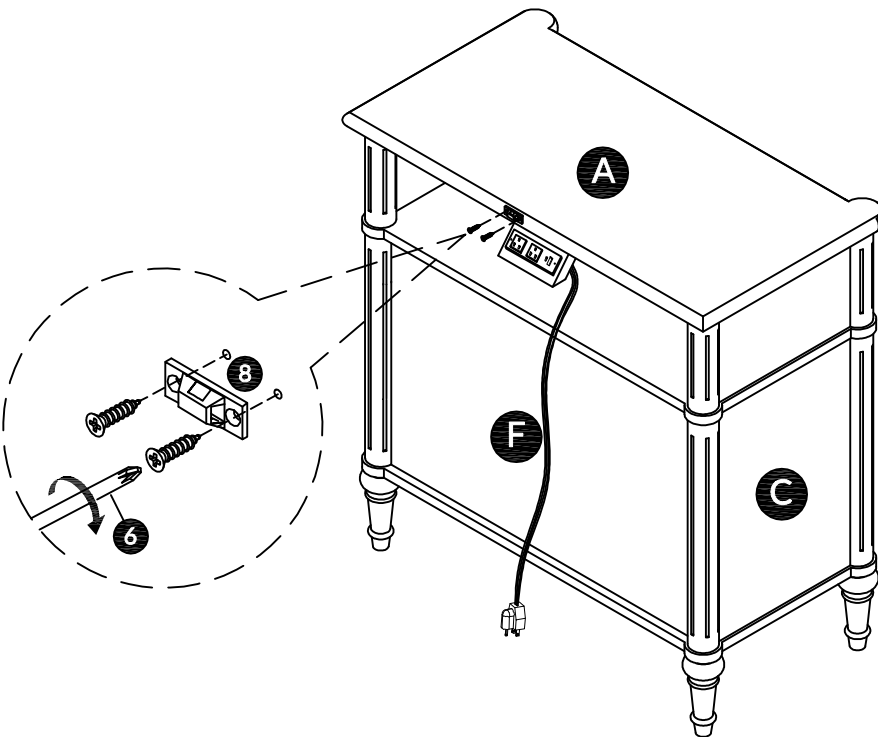
## Step 9




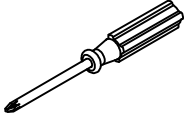

**Attention:**  
Before the next step, adjust the feet of the locker to keep it level.

## Step 10

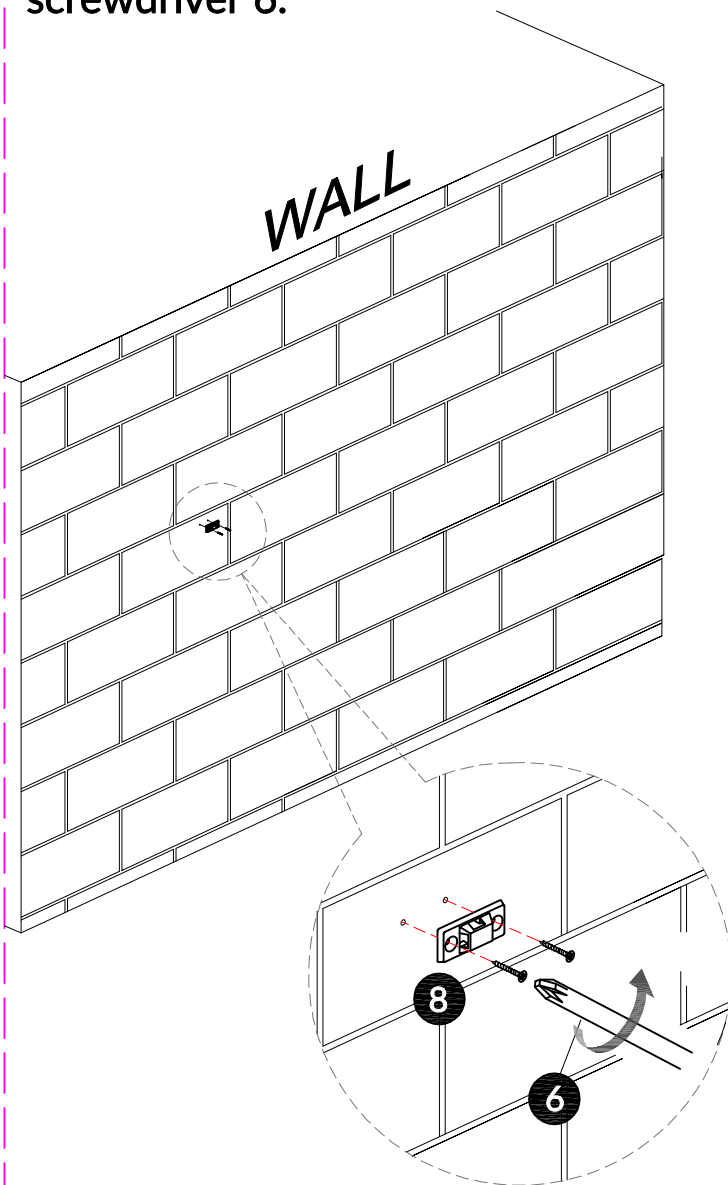
Use screw to attach part 8 to back (A), tight screw with screwdriver 6.



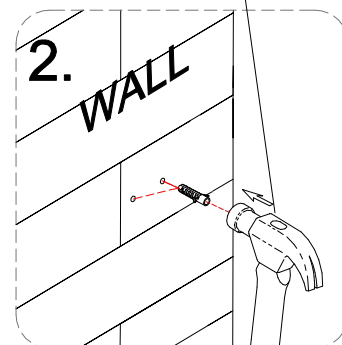
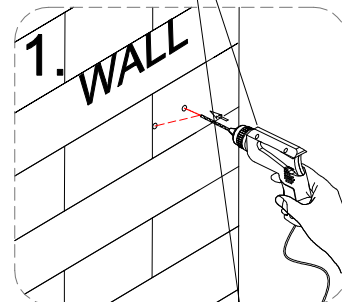
## Step 11

|   |    |   |    |
|---|----|---|----|
| 8   | x1 | 6   | x1 |
|  |    |  |    |
|  |    |   |    |
| D3.5x35mm   |    |   |    |

1. Install the anti-collapse device.
2. Mark the position on the wall, that corresponds to the location of part 8 on the of panel (A); Drill and insert the expandable screw 6 by hammer.
3. Assemble the part 8 to the wall. Align the hole in the part 8 with the expandable screw , use screw to attach it and tighten by screwdriver 6.

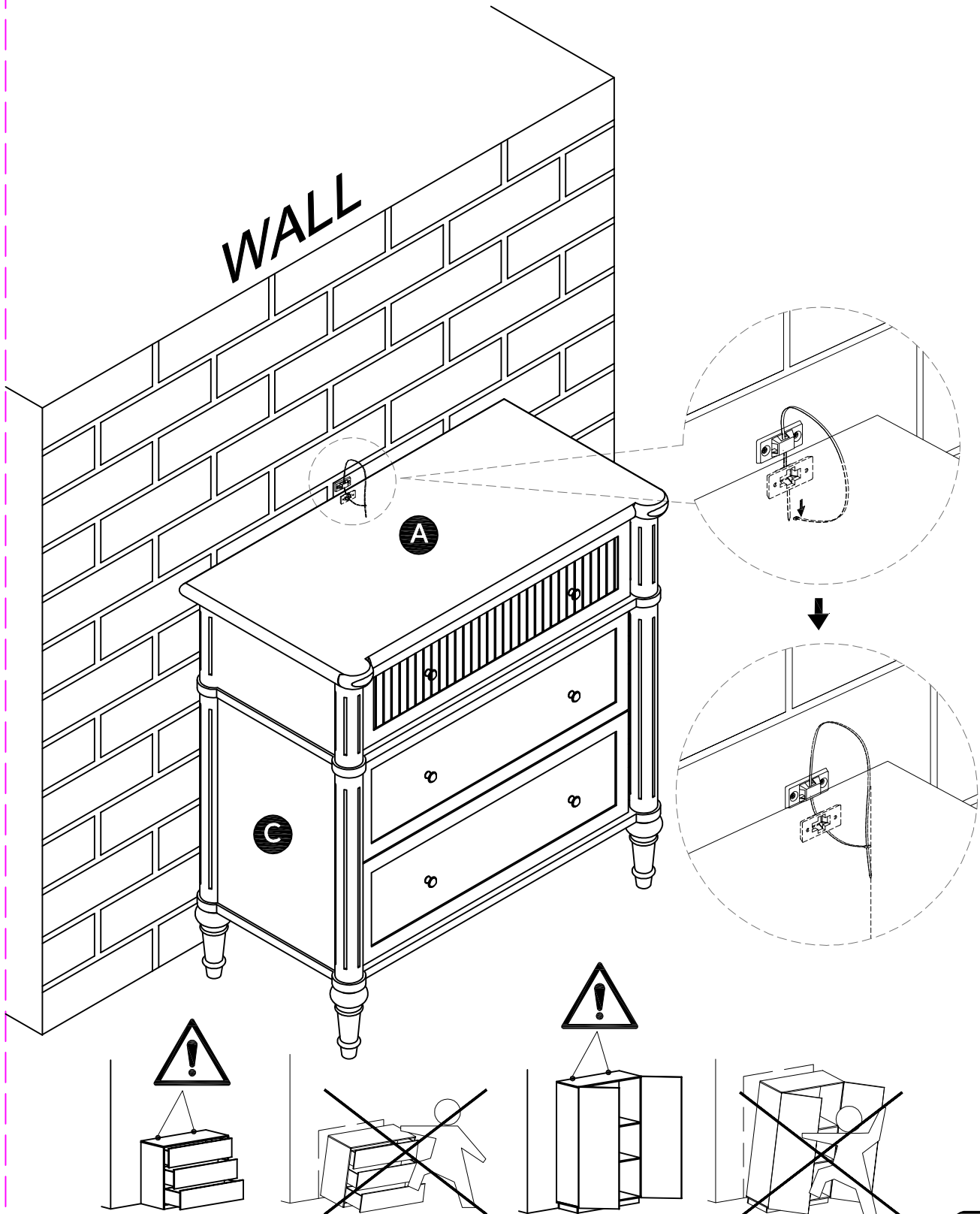


NOT PROVIDED



## Step 12

Let the plastic belt 2 pass through the both part 8 and pull tightly.



# WARRANTY

- We strive to offer quality products, and we also try our best to satisfy every customer who orders from us with products or services as needed.
- We provide 30 days warranty starting from the time you receive the item. Each customer must provide a record of their orders such as the order number, or item receipt for any items that are out of the warranty period you may also still receive.
- Replacement parts by purchasing them from our company if they are available.
- For return, please check the return policy with the retailer or market place you bought from

Appreciate your purchasing from us.  
Pop up your life by our furniture piece!