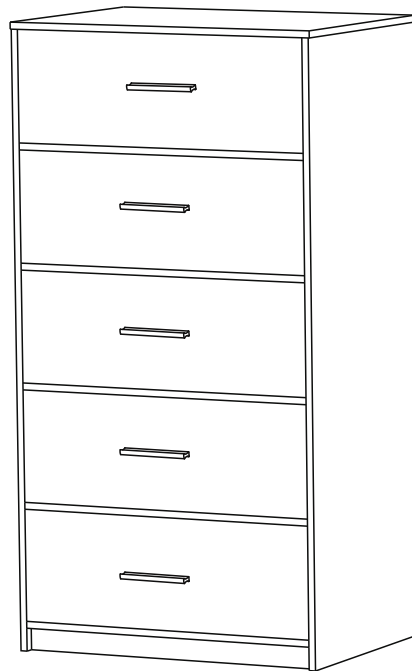
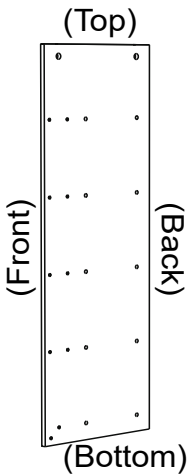
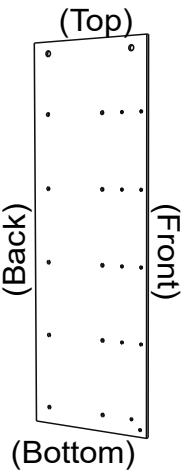
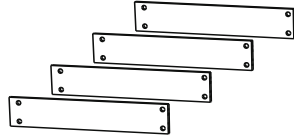
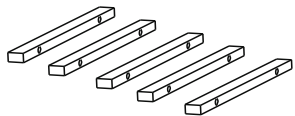
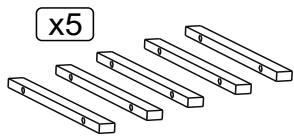


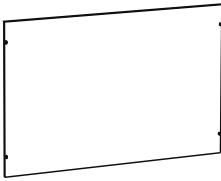
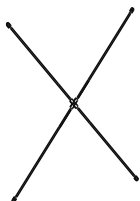
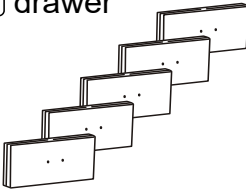
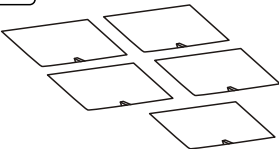


ASSEMBLY INSTRUCTIONS

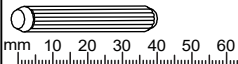
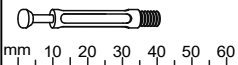
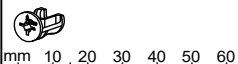
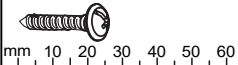

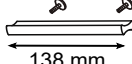


Thank you for purchasing our product!



MAIN PARTS LIST

A Left side panel 	B Right side panel 	C Back support 	D Left support 
		E Right support 	F Bottom support 
		G Base beam 	
H Top panel 	I Cross bars (joined) 	J Foldable fabric drawer 	K Drawer bottom 


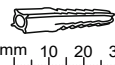

HARDWARE LIST

PART	QTY	SIZE / DESCRIPTION	ITEM
1	2	Ø8x40mm	
2	24	M6x40 Bolt (Minifix)	
3	24	Ø15x10 Cam lock (minifix)	
4	4	M4x25mm	
5	20	M6x25	
6	5 Sets	138mm Handle (x5) + M4x10 screws (x10)	

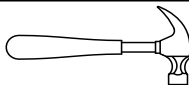

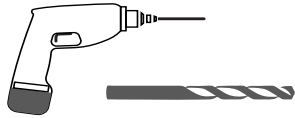
TOOL INCLUDED

Combination Allen Key (Hex + Phillips)	 
---	---

ANTI TIP-OVER HARDWARE

PART	QTY	SIZE / DESCRIPTION	ITEM
8	2	200x25mm Safety strip	
9	2	M4x30mm Wall Anchor	
10	2	M4x60mm	

TOOLS REQUIRED BUT NOT INCLUDED

Hammer	
Pencil	
Power drill with M4 drill bits	

ASSEMBLY STEPS

WE RECOMMEND TO PLACE THE PIECES OVER BLANKETS OR TABLECLOTHS TO PROTECT THEIR FINISH DURING ASSEMBLY.

STEP 1

Hardware

Hardware

5



20
Pcs

M6x25

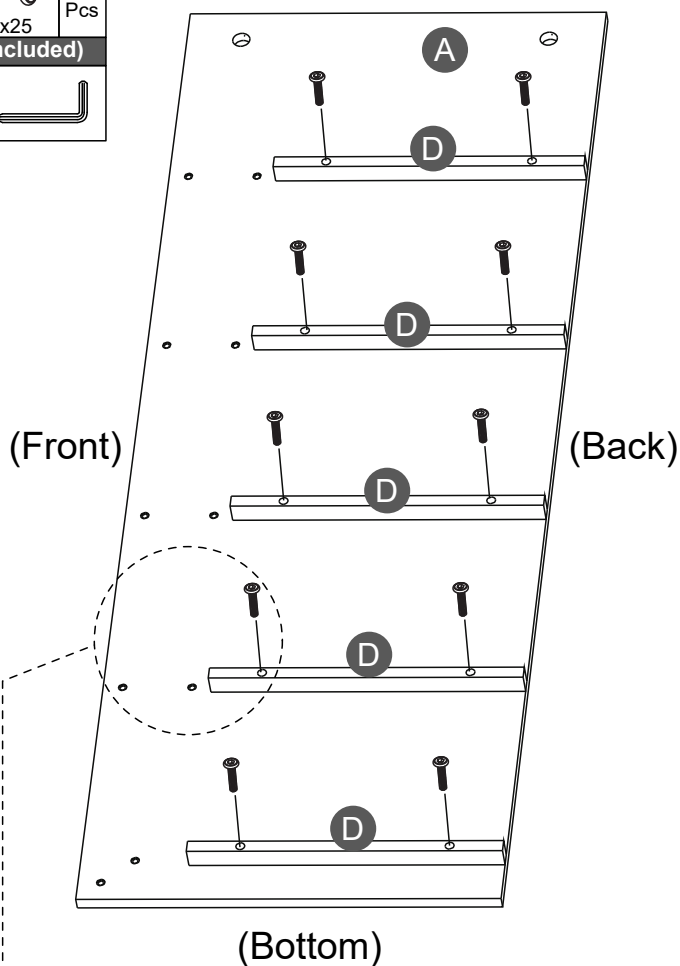
Tools (included)

M6



FIRST: Attach D to A with #5.

(Top)

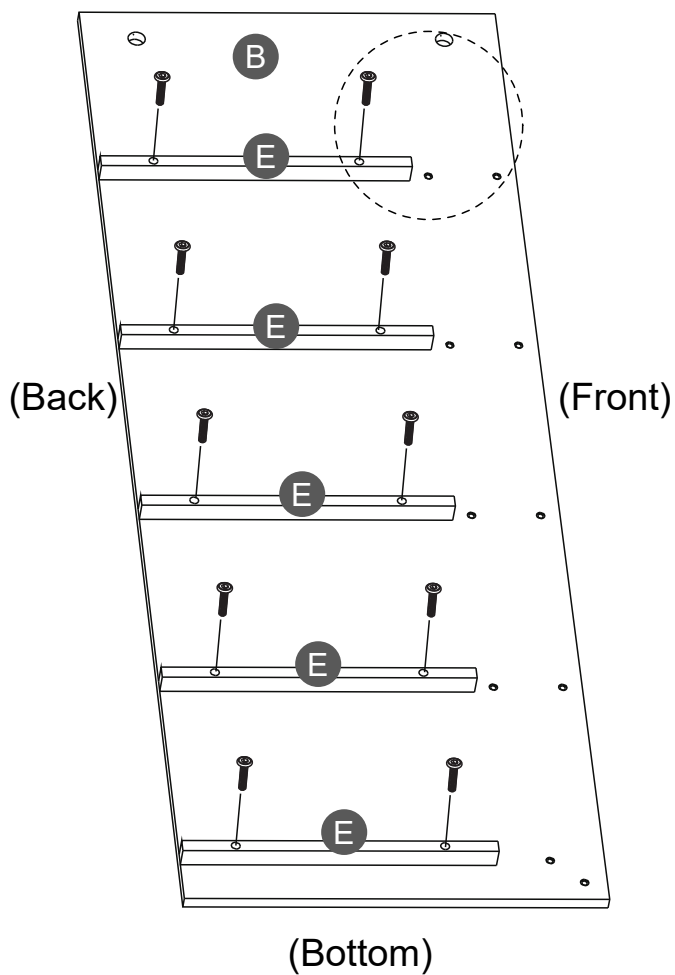


⚠ PAY ATTENTION!

D goes on A,
E goes on B.

THEN: Attach E to B with #5.

(Top)



(Bottom)

ASSEMBLY STEPS

STEP 2

Hardware

2



20
Pcs

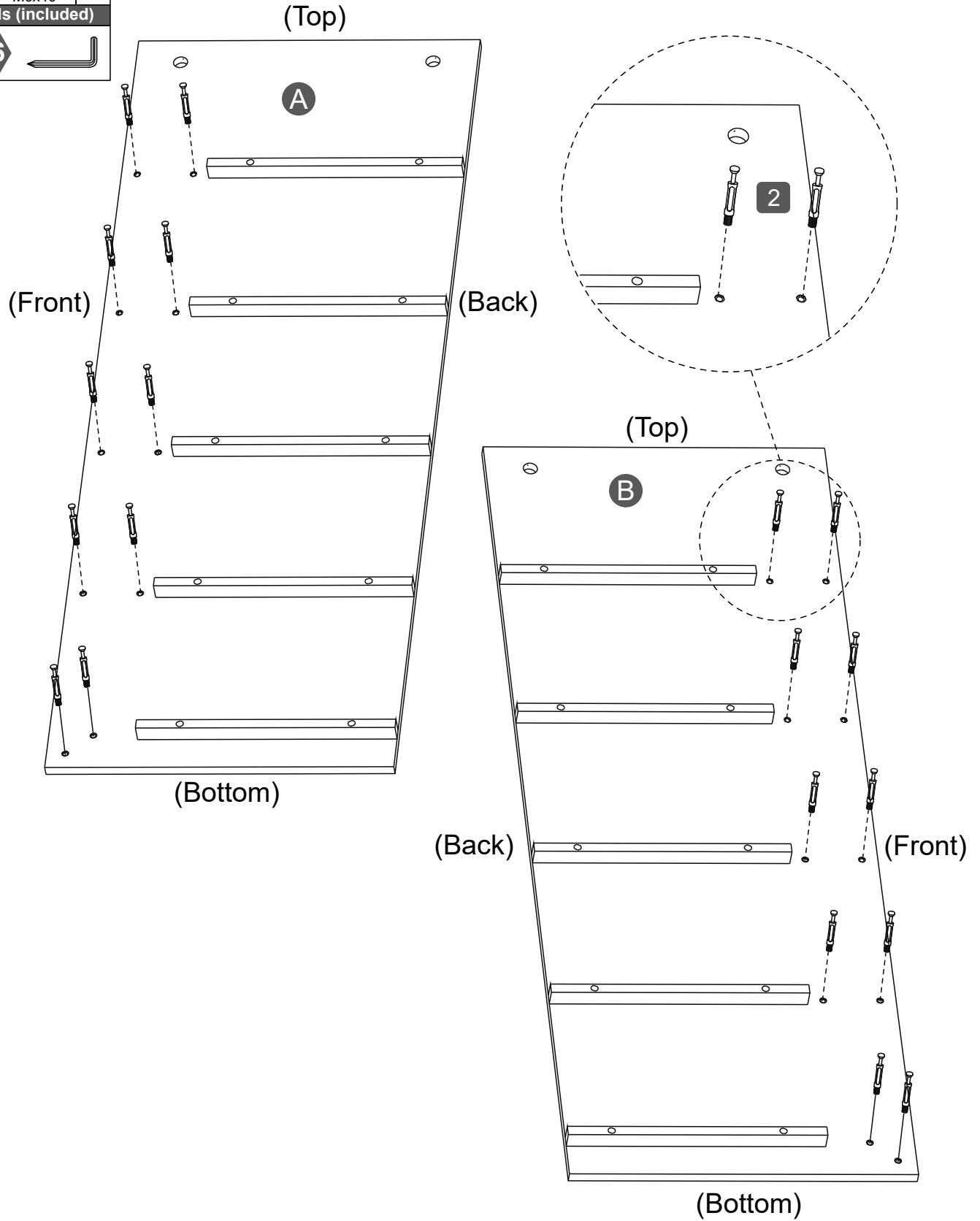
M6x40

Tools (included)

M6




Attach #2 to A and B.



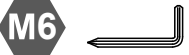
ASSEMBLY STEPS

STEP 3

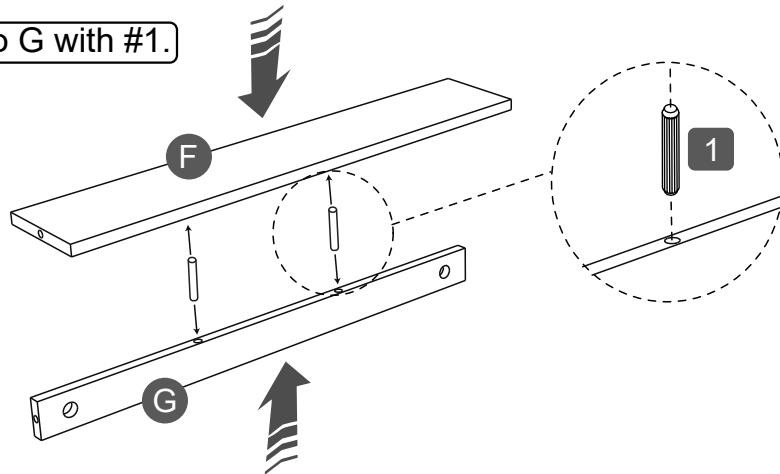
Hardware

1		2 Pcs
	Ø8x40mm	


Tools (included)



Attach F to G with #1.



STEP 4

This step requires of 2 people 

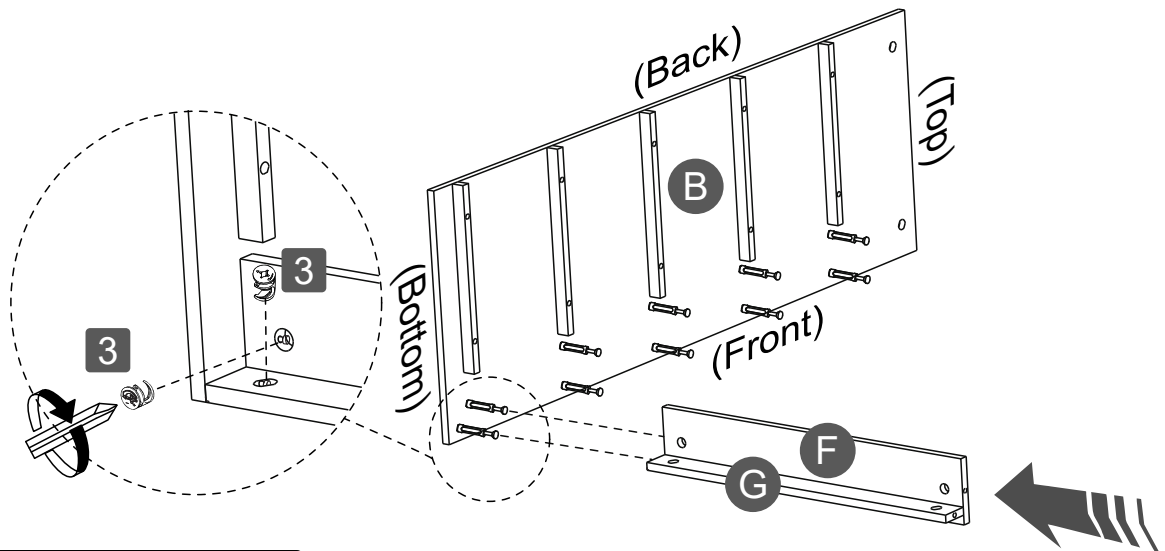
Hardware

3		10 Pcs
	Ø15x10mm	

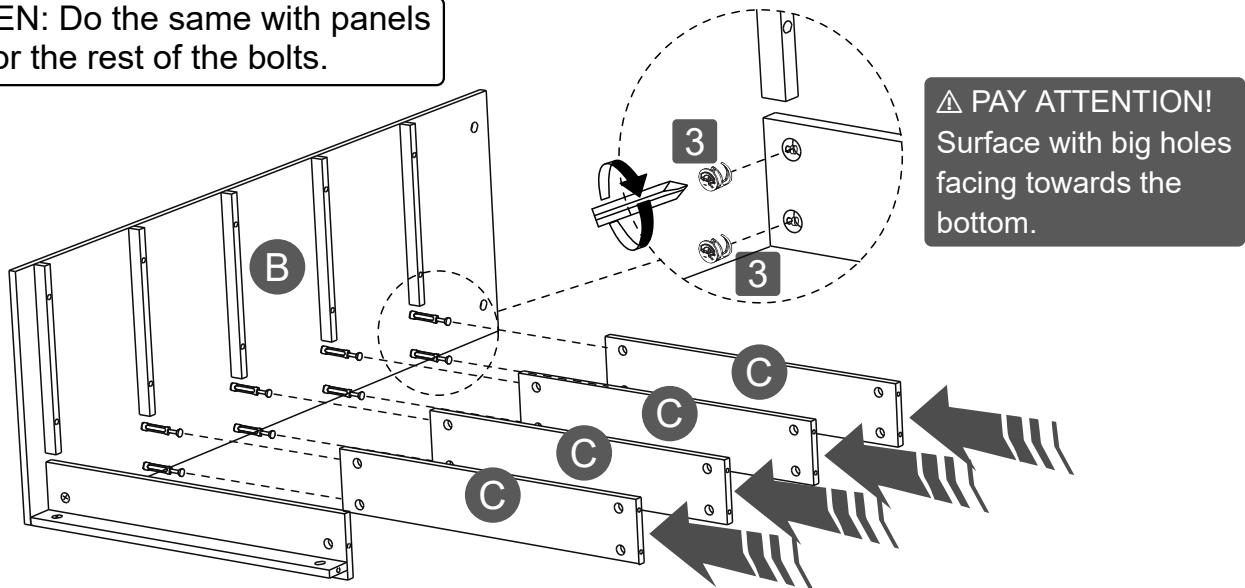
Tools (included)



FIRST: Join F+G to the bolts on the bottom of B, and lock them by inserting and turning the cam locks #3.



THEN: Do the same with panels C for the rest of the bolts.



⚠ PAY ATTENTION!
Surface with big holes facing towards the bottom.

ASSEMBLY STEPS

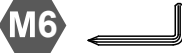
STEP 5

This step requires of 2 people 

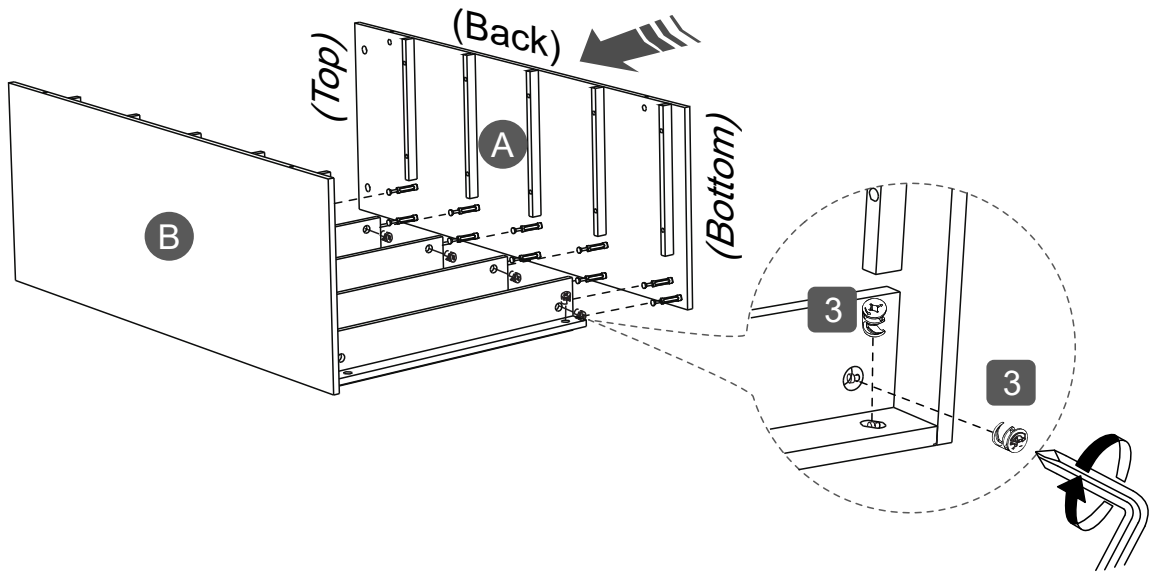
Hardware

3  10 Pcs
Ø15x10mm

Tools (included)



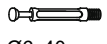
Assemble A to C, F and G with #3 the same way you did on step 4.



STEP 6

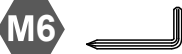
This step requires of 2 people 

Hardware

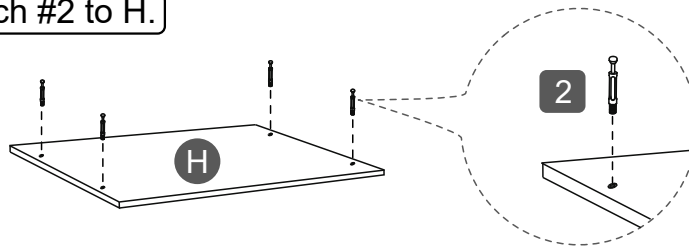
2  4 Pcs
Ø6x40mm

3  4 Pcs
Ø15x10mm

Tools (included)

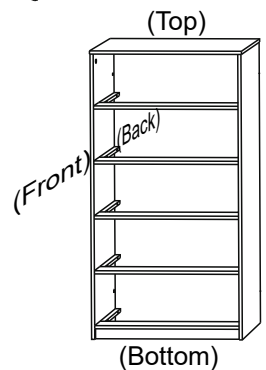
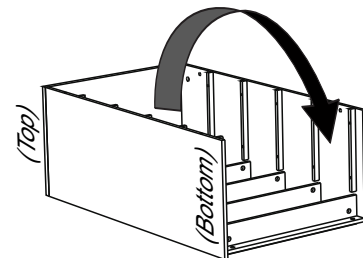
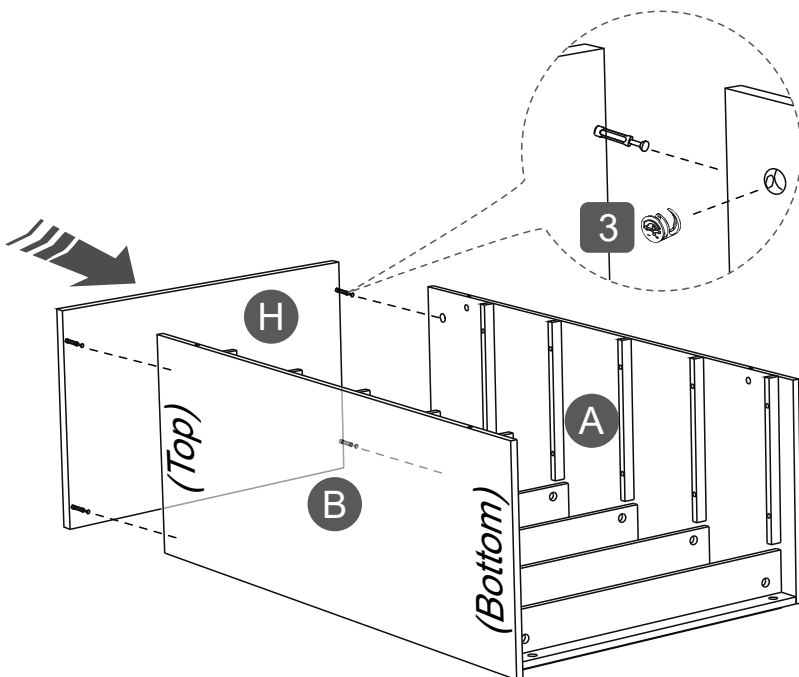


FIRST: Attach #2 to H.



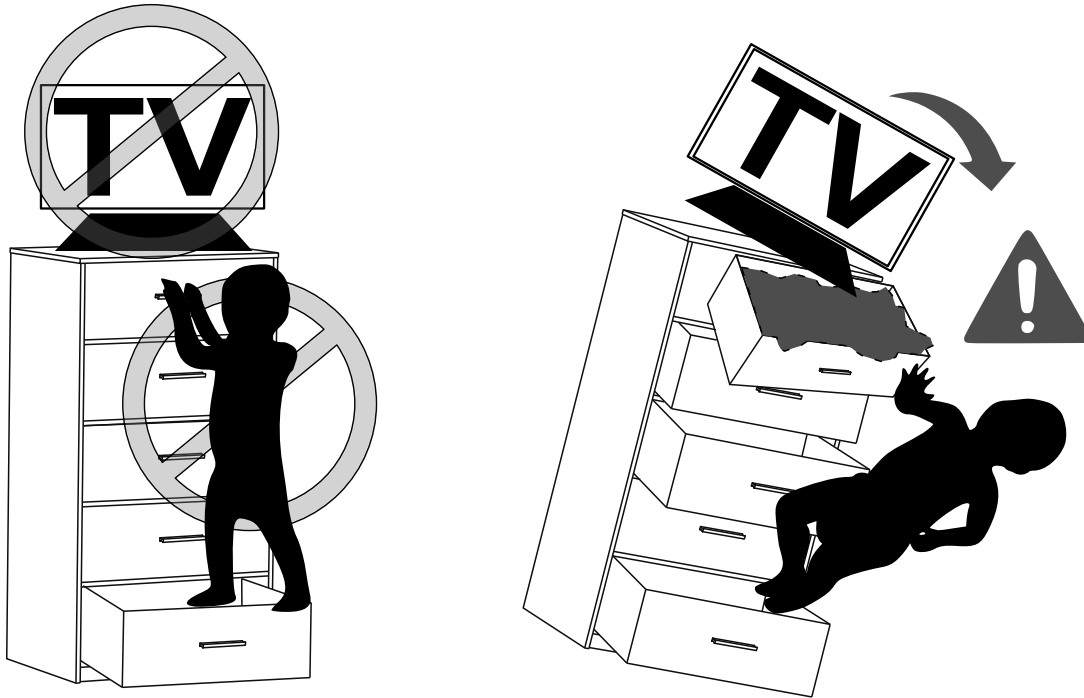
THEN: Assemble H to A and B with #3.

LAST: Flip the unit upright.



TIP OVER WARNING!

VERY IMPORTANT - PLEASE READ!



Children have died from furniture tip over. To reduce the risk of tip over:

- Install the anti tipping device that is included with this product.
- Follow the instructions on the next page of this manual for installing the anti tipping device and have the unit secure to a wall.
- NEVER allow children to stand, climb, or hang on drawers, doors or shelves.
- Place heaviest items in the lowest drawers.
- NEVER put a TV on this furniture.




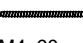
Please continue with the rest of the assembly instructions on the next page. Thank you.

ASSEMBLY STEPS

STEP 8

This step requires of  2 people

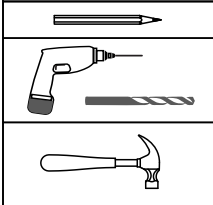
Hardware

4		4 Pcs
	M4x25mm	
8		2 Pcs
	Safety Strip	
9		2 Pcs
	Anchor	
10		2 Pcs
	M4x60mm	

Tools (included)

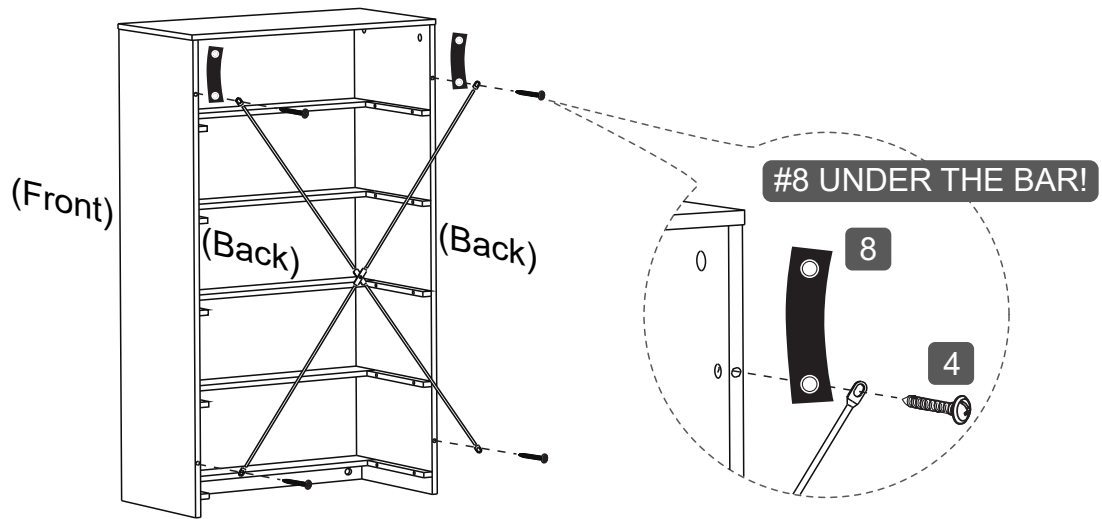


Tools (Not included)



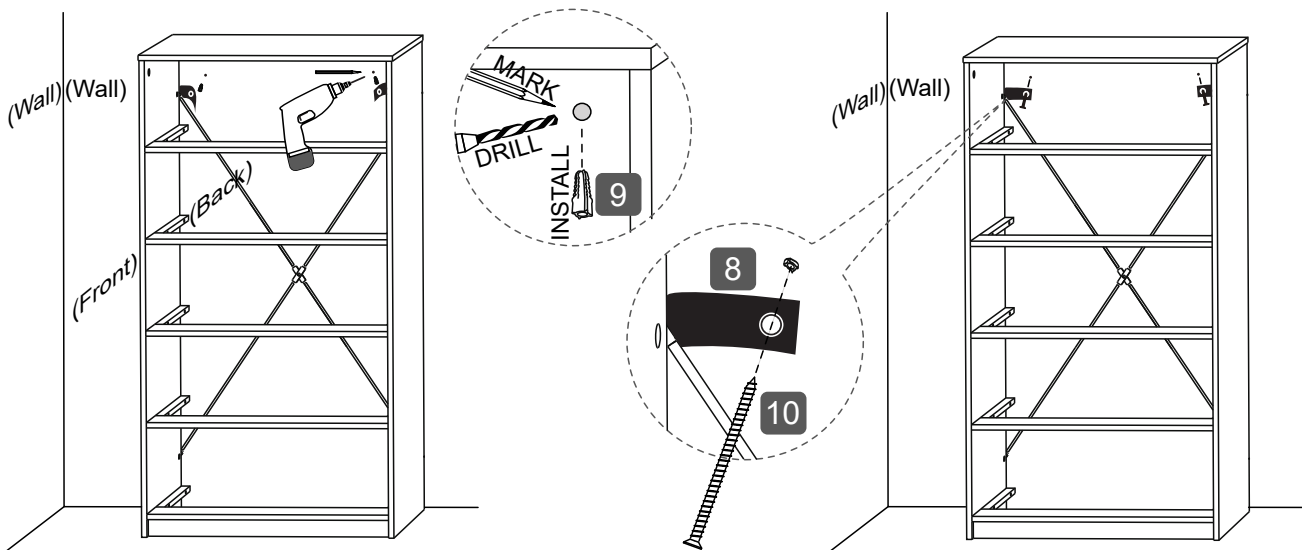
DO NOT SKIP THE INSTALLATION OF THE ANTI TIPPING DEVICE!

FIRST: On the back of the unit, attach the cross bars I to the side panels A and B with screws #4, with the Safety Strips #8 also installed AT THE TOP AND UNDER the cross bars.



THEN: Put the unit against the wall where it will stay, and use a driller (not included) to make 2 holes on the wall and insert the anchor #9 for the 2 safety strips.

LAST: Secure the safety strips to the anchors with screws #10.

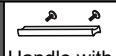


ASSEMBLY STEPS

STEP 8

Hardware

6



Handle with
2 screws

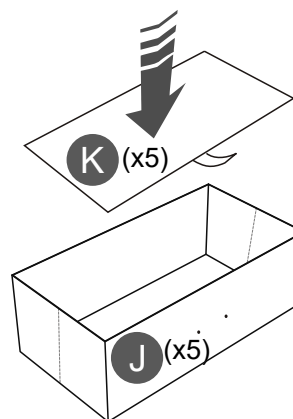
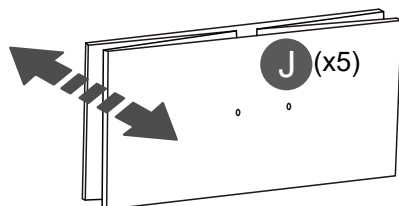
5
Sets

Tools (Included)

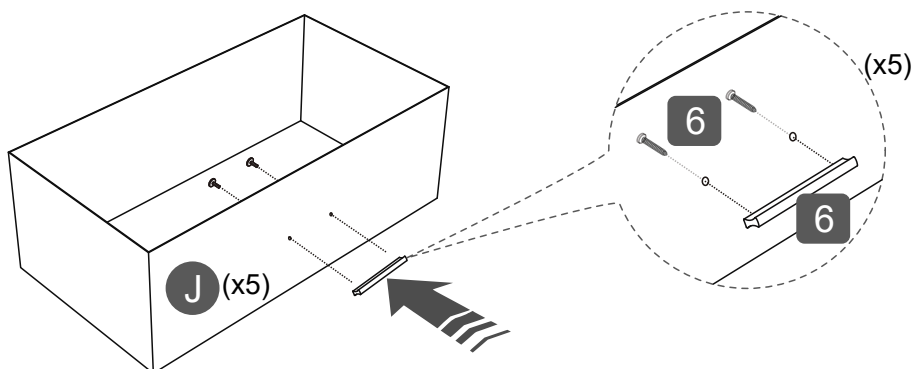
M6



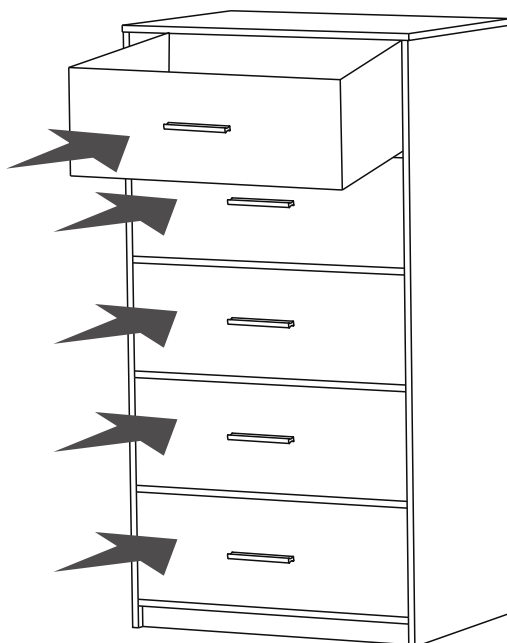
FIRST: Unfold the drawers J and place the bottoms K into each of them.



THEN: Attach the handles #6 to the drawers with their own screws.



FINALLY: Insert the drawers in to the unit.

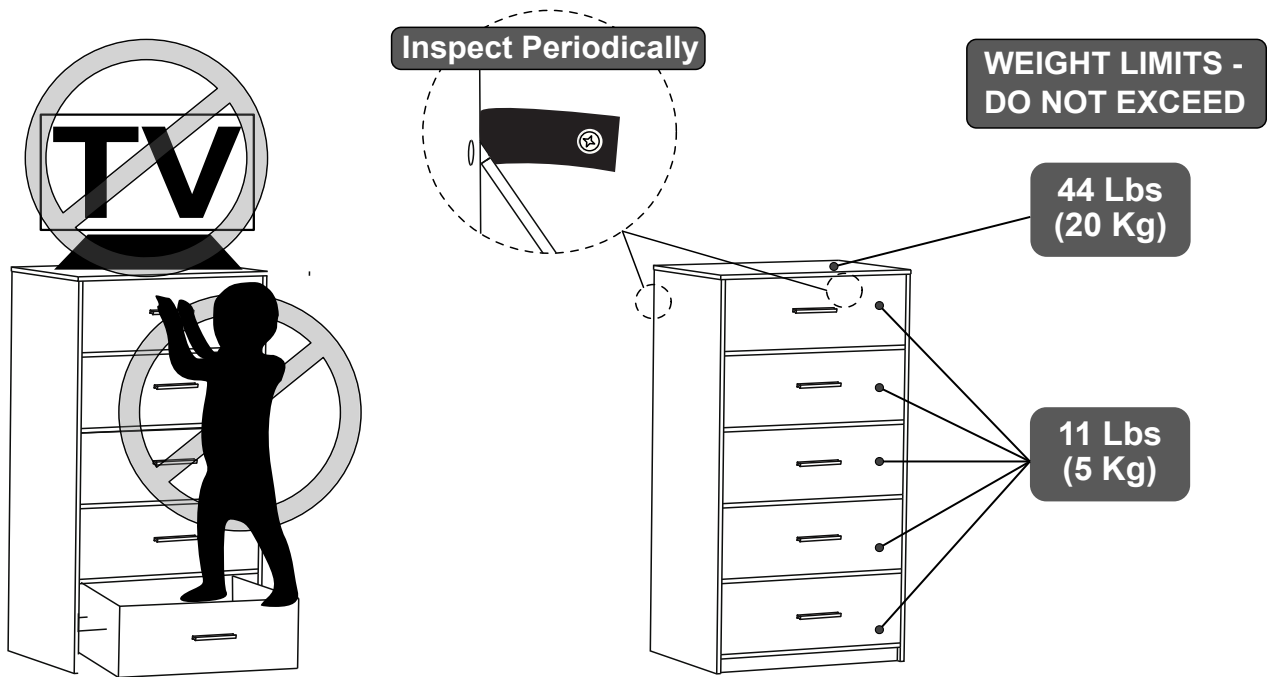


WARNINGS

Not paying attention to the following warnings could result in injuries.

Children have died from furniture tip over. To reduce the risk of tip over:

- Make sure you have installed the anti tipping device that has been included with this product.
- NEVER allow children to stand, climb, or hang on drawers, doors or shelves.
- Place heaviest items in the lowest drawers.
- NEVER put a TV on this furniture.
- Every 4 months, inspect the anti tipping device to make sure it is still secured to both the unit and the wall.
- Do not exceed the indicated weight limits.



CARE AND MAINTENANCE

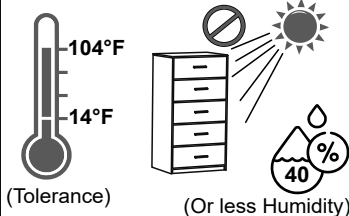
Clean with a cloth lightly dampened in a solution of mild soap and water.



Do not use solvents or abrasive materials.



Do not expose to direct sunlight or extreme environmental conditions.



Inspect and re-tighten loose screws on the unit every 4 months.

