

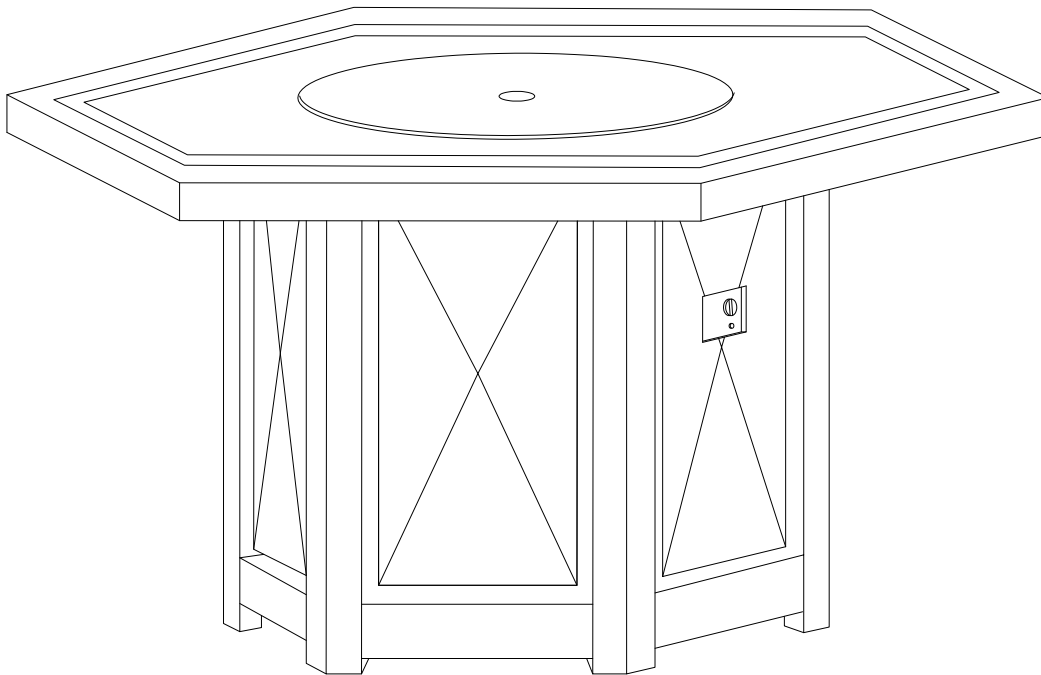
35.5" Hexagon Fire Pit Table

Assembly and Operating Instructions

IF YOU CANNOT READ OR UNDERSTAND THESE INSTALLATION INSTRUCTIONS DO NOT ATTEMPT TO ASSEMBLE OR OPERATE THIS APPLIANCE .

LOCATION PRECAUTION

This fire pit requires a minimum 18-square inches of cross ventilation.
Failure to provide proper ventilation can void the warranty.



WARNING: For outdoor use only.



PLEASE RETAIN THIS MANUAL FOR FUTURE REFERENCE .



IMPORTANT: FAILURE TO CAREFULLY READ, UNDERSTAND AND FOLLOW EVERY PART OF THIS DOCUMENT MAY RESULT IN PROPERTY DAMAGE, SERIOUS BODILY INJURY OR DEATH.

SAFETY INFORMATION

FOR USE WITH 20 LB (9 KG PROPANE CYLINDER WITH TYPE 1 CONNECTION OR FOR USE WITH NATURAL GAS AFTER CONVERSION KIT IS INSTALLED (MUST BE PROFESSIONALLY INSTALLED) ALSO THE LP REGULATOR MUST BE SUPPLIED BY THE MANUFACTURER.

WARNING

Do not store or use gasoline or other flammable vapors and liquids in the vicinity of this or any other appliance. An LP cylinder not connected for use shall not be stored in the vicinity of this or any other appliance.

WARNING

USE FACTORY APPROVED REPLACEMENT PARTS AND ACCESSORIES ONLY. USE OF UNAPPROVED PARTS OR ACCESSORIES CAN VOID THE WARRANTY ON THIS PRODUCT AND RESULT IN A HAZARDOUS CONDITION. PLEASE CONTACT US FOR INFORMATION REGARDING REPLACEMENT HOSES, THERMOCOUPLES, ELECTRODES, IGNITION MODULES, LAVA ROCKS, ETC.

DANGER

EXPLOSION-FIRE HAZARD
Keep solid combustibles, such as building materials, paper or cardboard, a safe distance away from the fire pit as recommended by the instructions. Provide adequate clearances around air openings into the combustion chamber.
Never use the fire pit in spaces which do or may contain volatile or airborne combustibles, or products such as gasoline, solvents, paint thinner, dust particles or unknown chemicals
During operation, this product can be a source of ignition. Keep fire pit area clear and free from combustible materials, gasoline, paint thinner, cleaning solvents and other flammable vapors and liquids. **DO NOT** use fire pit in areas with high dust content. Minimum fire pit clearances from combustible materials: two (2) feet from the sides & two (2) feet from the rear, 6 feet from ceiling.

DANGER

EXPLOSION - FIRE HAZARD
Never store propane near high heat, open flames, pilot lights, direct sunlight, other ignition sources or where temperatures exceed 120 degrees F (49°C). Propane vapors are heavier than air and can accumulate in low places. If you smell gas, leave the area immediately.
Never install or remove propane cylinder while fire pit is lighted, near flame, pilot lights, other ignition sources or while fire pit is hot to touch.
The fire pit is red hot during use and can ignite flammables too close to the burner. Keep flammables at least 2 feet from sides & 2 feet from rear, 6 feet from ceiling. Keep gasoline and other flammable liquids and vapors well away from fire pit.
Store the propane cylinder outdoors in a well-ventilated space out of reach of children. Never store the propane cylinder in an enclosed area (house, garage, etc.). If fire pit is to be stored indoors, disconnect the propane cylinder for outdoor storage and allow the fire pit to fully cool down prior to move indoors.

DANGER

DANGER indicates an imminently hazardous situation which, if not avoided, will result in death or serious injury.

DANGER

Failure to comply with the precautions and instructions provided with this fire pit can result in death, serious bodily injury and property loss or damage from hazards of fire, explosion, burn, asphyxiation, and/or carbon monoxide poisoning. Only persons who can understand and follow the instructions should use or service this fire pit.

DANGER

FOR YOUR SAFETY - if you smell gas;

1. Shut off gas to the appliance.
2. Extinguish any open flame.
3. If odor continues. Keep away from the appliance. and immediately call you gas supplier or fire department.

DANGER

CARBON MONOXIDE HAZARD
This fire pit is a combustion appliance. All combustion appliances produce carbon monoxide (CO) during the combustion process. This product is designed to produce extremely minute, non-hazardous amounts of CO if used and maintained in accordance with all warnings and instructions. **DO NOT** block air flow into or out of the fire pit. Carbon monoxide (CO) poisoning produces flu-like symptoms, watery eyes, headaches, dizziness, fatigue and possibly death. You can't see it and you can't smell it. It's an invisible killer. If these symptoms are present during operation of this product get fresh air immediately!
For outdoor use only.
Never use inside house, or other unventilated or enclosed areas. This fire pit consumes air (oxygen). Do not use in unventilated or enclosed areas to avoid endangering your life.

WARNING

We cannot foresee every use which may be made of our fire pit. Check with your local fire safety authority if you have questions about fire pit use.
Other standards govern the use of fuel gases and heat products for specific uses. Your local authorities can advise you about these. If no local codes exist, follow National Fuel Gas Code, ANSI Z223. 1. In Canada, installation must conform to local codes. If no codes exist, follow the current National standards of CANADA CAN/CGA-B 149.2.

WARNING: For outdoor use only



CARBON MONOXIDE HAZARD
This appliance can produce carbon monoxide which has no odor. Using it in an enclosed space can kill you. Never use this appliance in an enclosed space such as a camper, tent, car or home.



IMPORTANT SAFETY INFORMATION

The installation must conform with local codes or, in the absence of all applicable local codes, including, without limitation, with the National Fuel Gas Code, ANSI Z223.1/NFP A 54; International Fuel Gas Code; Natural Gas and Propane Installation Code, CSA B149.1; or Propane Storage and Handling Code, B149.2, as applicable.

The appliance and its appliance main gas valve must be disconnected from the gas supply piping system during any pressure testing of that system at test pressures in excess of 1/2 psi (3.5kPa).

The appliance must be isolated from the gas supply piping system by closing its equipment shutoff valve during any pressure testing of the gas supply system at test pressure equal to or less than 1/2 psi (3.5kPa).

The appliance area must be kept clear and free from combustible materials, gasoline and other flammable vapors and liquids.

Do not use this appliance if any part has been damaged or under water. Immediately call a qualified service technician to inspect. Immediately call a qualified service technician to inspect the appliance and to replace any part of the control system and any gas control which has been damaged or under water.

⚠ WARNING Do not sit or stand on appliance even when not in use and do not touch appliance while in use or for at least 45 minutes after use as the appliance is very hot during use and can cause serious burns.

⚠ WARNING The appliance will remain hot for up to 45 minutes after use. Do not touch or move appliance for at least 45 minutes after it has been completely shut off.

⚠ WARNING Children and adults should be alerted to the hazards of high surface temperatures and kept at a safe distance to avoid burns or clothing ignition.

⚠ WARNING All children should be kept away from the appliance and should not be allowed near the product unless carefully supervised by an adult.

⚠ WARNING Clothing, any other object or flammable material should not be hung from the appliance, placed on, near or underneath the appliance.

⚠ WARNING Any screen or guard removed for servicing an appliance must be replaced prior to operating the appliance.

⚠ WARNING Keep children away from this appliance. This appliance contains small parts that can be swallowed by children resulting in serious bodily injury or death.

⚠ WARNING Installation and repair should be done by a qualified service person. The appliance should be inspected before use and at least annually by a professional service person. More frequent cleaning may be required as necessary. It is imperative that the control compartments, burners and circulating air passageways of the appliance be kept clean.

Do NOT burn solid fuels in this gas fireplace.

Do NOT ignite the burner before pouring all of the burner media (lava rock or fire glass) into the burner pan. The media must be evenly distributed over the burner.

If during initial firing of fire pit, please stay away from the fire pit for 20 minutes as fire media (lava rock or fire glass) may pop and hit someone on the face or eyes

Do NOT ignite or use the fire pit if the burner media (lava rock or fire glass) are wet. Ensure the burner media are completely dry before igniting as intense heat could cause the media to crack and pop. Always place the cover on the appliance when not in use in order to avoid water contacting the media.



IMPORTANT SAFETY INFORMATION

It is UNSAFE to use this product for any purpose except as described in this document including, without limitation, cooking.

CAUTION: The propane gas pressure regulator provided with this appliance must be used. This regulator is set for an outlet pressure of 11 inches water column.

This outdoor gas appliance is not intended to be installed in or on recreational vehicles and/or boats.

Before each use of this gas appliance, open the LP (Liquid Propane) Tank Drawer and inspect the LP Hose. If there is evidence of excessive abrasion or wear, or the hose is cut, it must be replaced prior to the gas appliance being put into operation. Use only the replacement hose assembly specified in this manual. Inspect the burner before each use of the appliance. The burner must be replaced prior to the appliance being put into operation if it is evident that the burner is damaged. Use only the burner listed in these instructions.

Keep the fuel supply hose away from any heated surfaces.



IMPORTANT SAFETY INFORMATION ABOUT PROPANE (LP) GAS

A self-contained LP-gas cylinder for use with this appliance must have a capacity of 20 lbs. and must be equipped with a Type 1 connector and an OPD (overfill protection device). See Figure 1.

The LP-gas supply cylinder to be used must be constructed and marked in accordance with the specification for LP-gas cylinders of the U.S. Department of Transportation (DOT) or the National Standard of Canada, *CAN/CSA-B339, Cylinder, Sphere and Tubes for the Transportation of Dangerous Goods*.



WARNING The cylinder supply system must be arranged for vapor withdrawal.



WARNING The cylinder used must include a collar to protect the cylinder valve.



WARNING This appliance shall be used only outdoors in a well-ventilated space and shall not be used in a building, garage or any other enclosed space.



WARNING When this appliance is not in use, the gas must be turned off at the supply cylinder.



WARNING Storage of this appliance indoors is permissible only if the cylinder is disconnected and removed from the appliance.



WARNING Cylinders must be stored outdoors in a well-ventilated area out of the reach of children. Disconnected cylinders must have threaded valve plugs tightly installed and must not be stored in a building, garage or any other enclosed areas, storing cylinders indoors or in poorly ventilated space outdoors can result in serious bodily injury and/or death.

CSA (Canadian Standards Association) certified to ANS Z21.97-2017 CSA 2.41-2017 "Outdoor Decorative Gas Appliances".

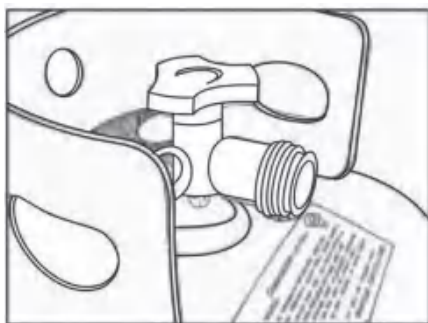
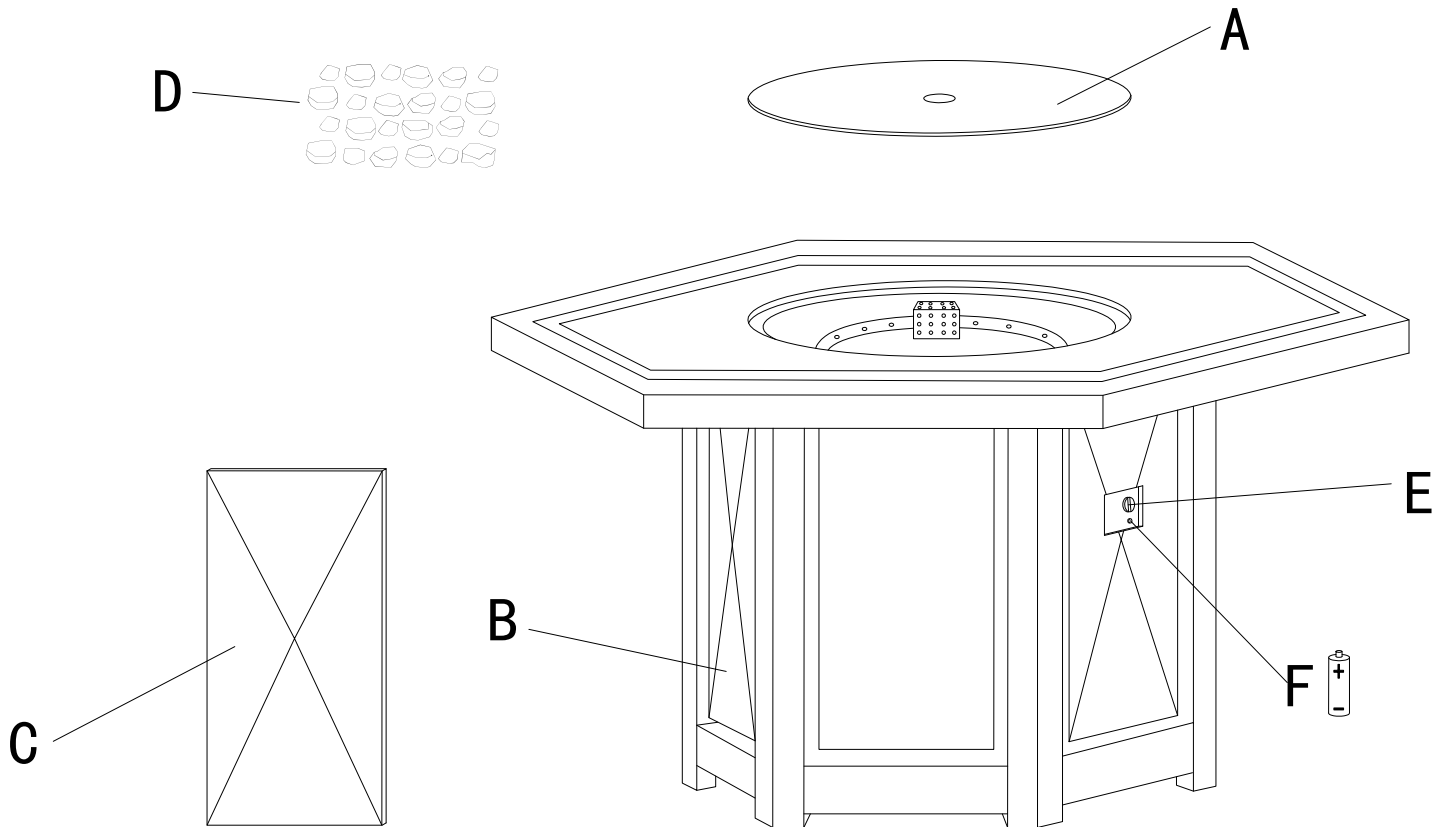


Figure 1

SPECIFICATIONS

INPUT	50,000 Btu/hr	
Propane Regulator Pressure	11 inches water column	
Natural Gas Minimum Inlet Pressure	7 inches water column	
Clearances to combustible surfaces	Sides: 24in./64.5cm	Top: 48in.x 24in. 122cm x 64.6cm

PARTS AND HARDWARE LIST

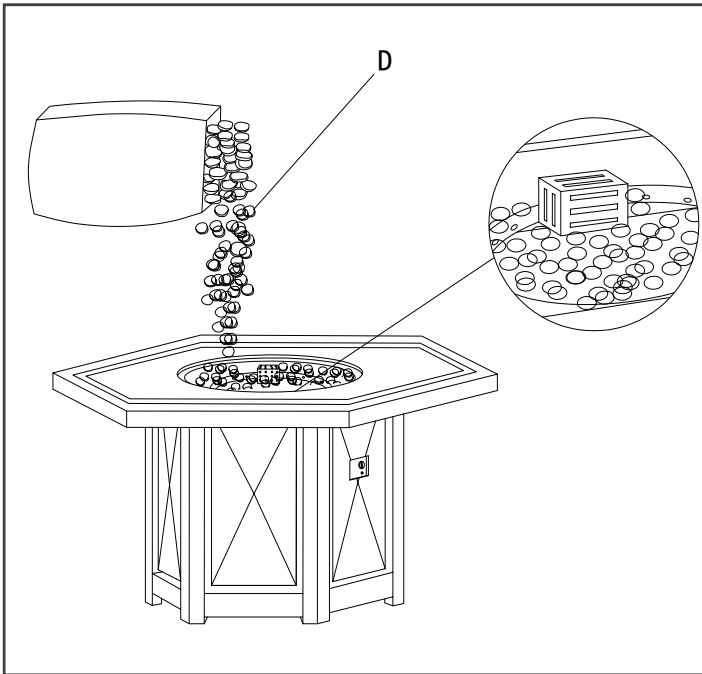


Item	Description	Qty	Item	Description	Qty
A	Lid	1	D	Lava Rock	1
B	Body	1	E	Control Knob	1
C	Door	1	F	AA Battery	1+1

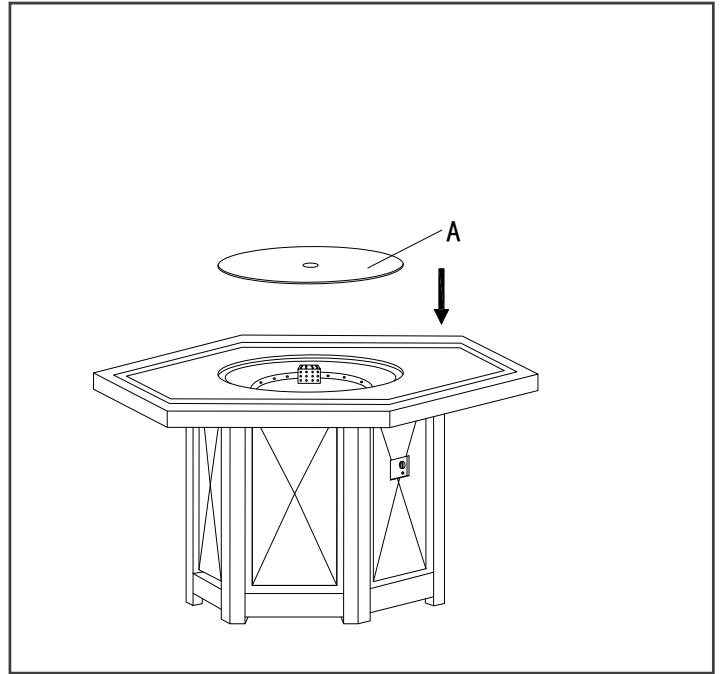
Before beginning assembly of this product be sure all parts are present. Compare parts with package contents list and hardware contents list. If any part appears to be missing or damaged do not begin assembly of this product and call customer service immediately.

Estimated assembly time: 30 minutes Tools required for assembly (included): painting kit

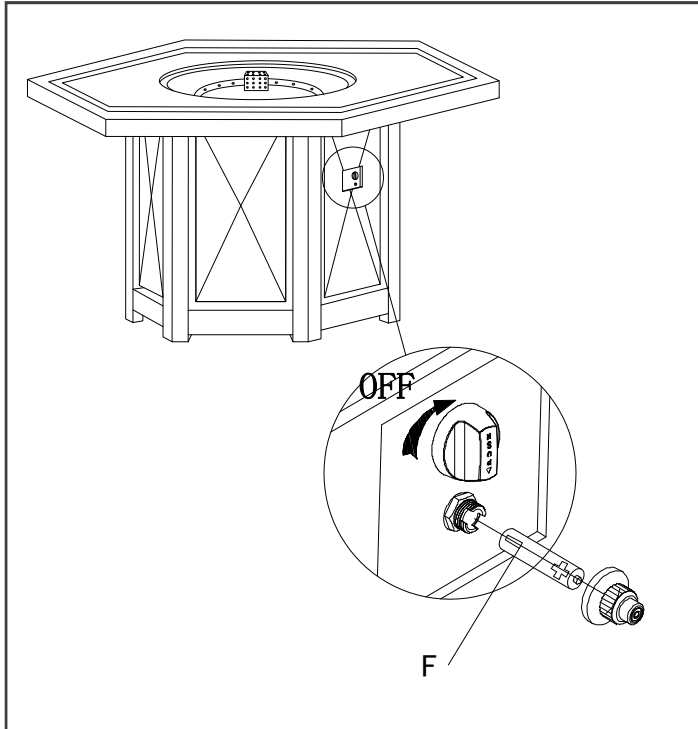
ASSEMBLY INSTRUCTIONS



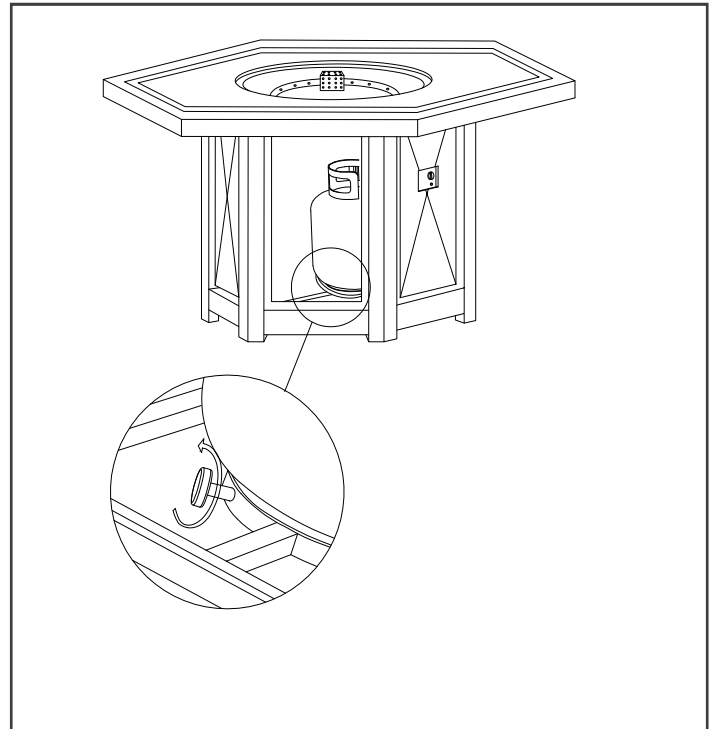
STEP 1: Stand table upright. Pour Lava Rock (D) into bowl.
Warning: To ensure proper function, make sure that Lava Rock is not covering the burner unit.



STEP 2: Cover the fire bowl with Lid (A) when not in use.

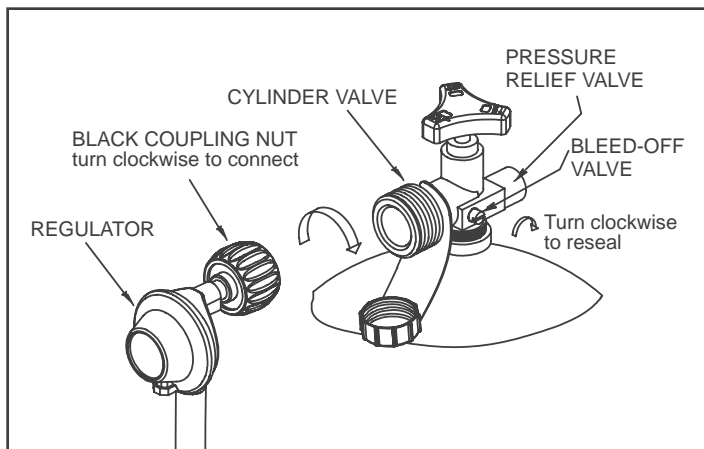


STEP 3: Make sure that Control Knob is in the "OFF" position. Unscrew the push button cap on the ignition module located on the Control Panel to access the battery compartment. Insert the AA battery (F) as shown in diagram and replace cap.



STEP 4: Open the door side side panel and place the propane tank(not included) into the tank holder. Tighten the preassembled wing screw clockwise to secure the tank to the holder.

ASSEMBLY INSTRUCTIONS



STEP 5: Connect LP tank to fire pit. Turn the handle on the tank cylinder valve clockwise to close the valve. Attach the preassembled regulator to the cylinder valve by turning the regulator coupling nut clockwise. Make sure that coupling is fastened securely to valve, hand-tightening only. Open the tank valve. Apply a solution of soapy water to the tank-regulator connection and to the valve-hose connection to check for leaks. If soap bubble continue to form, the connection has a leak. If a leak is found, close the tank valve and tighten all connections. **NEVER USE A FLAME TO CHECK FOR LEAKS.**

OPERATING THE UNIT - LIGHTING AND EXTINGUISHING

FOR YOUR SAFETY, READ BEFORE LIGHTING

WARNING: IF YOU DO NOT FOLLOW THESE INSTRUCTIONS EXACTLY, A FIRE OR EXPLOSION MAY RESULT, CAUSING PROPERTY DAMAGE, PERSONAL INJURY, OR LOSS OF LIFE.

BEFORE LIGHTING, smell all around the unit area for gas. Be sure to smell next to the floor because some gas is heavier than air and will settle on the floor.

WHAT TO DO IF YOU SMELL GAS

1. **Shut off the gas to the appliance.**
2. **Extinguish any open flame.**
3. **If odor continues, immediately call** your gas supplier or fire department.

TO LIGHT:

1. Control Knob must be in "OFF" position
2. Push and turn control knob counter clockwise to "LOW".
3. Press the igniter button repeatedly to light burner.

4. Release control knob after 45 seconds.

If ignition does not occur in 45 seconds, push and turn control knob to "OFF" position. Wait five minutes, fan with newspaper or magazine and repeat lighting procedure.

If igniter does not light burner, a long match or butane lighter can be used.

After burner ignites, adjust flame to desired height using control knob.

TO EXTINGUISH:

1. Turn and push the control knob clockwise to the "OFF" position.
2. Close cylinder valve. Disconnect cylinder for extended non-use.

MAINTENANCE

- Before performing any maintenance always disconnect propane gas tank.
- Keep the heating item free and clear from combustible materials.
- Visually inspect burner for obstructions and keep tank enclosure free and clear from debris.
- Use a soft brush to get rid of the mild stains, loose dirt and soil after the burner is completely cooled down. Wipe down with a soft cloth.
- Harsh weather conditions may cause stubborn stains, discoloration and possibly rust pitting.
- Permanent damage may occur if powder or solvent comes in contact with painted or plastic components on this heating unit.
- Keep the heating unit stored away from direct sunlight.
- If storing this unit inside, disconnect the propane gas tank from the gas valve.
- Not using manufacturer approved or supplied parts/accessories may result in a defective condition and void the warranty of this heating unit.

TROUBLESHOOTING

It is recommended that you contact a qualified service technician if you believe the appliance is not functioning properly.

PROBLEM	CAUSE	REMEDY
Burner won't light	No Propane Gas at Burner	Check that gas tank valve is open. Turn control knob to "ON" and push control knob in. Make sure tank has propane gas.
	No Spark at Electrode	Check that AAA battery is installed with negative (-) end in and is not dead. Check that the wire is connected to the ignition module. Check that the electrode is not cracked or broken.
	Lack of oxygen	Remove excess fire glass from around the burner unit.
Burner won't stay lit after lighting	Thermocouple not in flame	Check that the tip of the thermocouple is even with the top of the ignition well. Remove any glass beads from the burner unit.
	Thermocouple connection at main control valve is loose	Tighten the thermocouple nut at the back of valve.
	No fire glass on Burner	Cover the burner with fire glass beads per instructions.

LIMITED WARRANTY

FIRE PITS: Burner, steel fire pit bowl, all mechanical parts and fittings to control panel and burner assembly, and all fire pit tops that are not cast aluminum will be warranted for a period of one (1) year from original purchase date, against defects in material and or workmanship. Rust is not covered.

FRAMES: Frames are warranted to be free from defects in materials and workmanship for a period of one (1) year. Any damage occurring to frames or welds due to improper assembly or exposure to water and sub-freezing temperatures, is not covered. Damage that is a result of product being dropped, acts of God, etc. are not covered.

FINISH: The product finish is warranted against peeling, cracking, or blistering for a period of one (1) year provided the product has not been scratched or scraped. Scratches and chips resulting from occurrence of normal wear and tear are not covered. Fading resulting from exposure to weather is not covered. Stains resulting from chemical spills and certain food items are not covered.

TABLE TOPS: All table tops are warranted for a period of one (1) year from original purchase date against defects in material and or workmanship. Breakage, discoloration, staining, and/or any other weather related issues are not covered.

WARRANTY EXCLUSIONS: Product failure caused by unreasonable or abusive use. Fire pits that were purchased as clearance items or display models, or purchased in an "as is" condition; freight damage, fire pit damaged by acts of nature, vandalism, fire, abuse, lack of proper care and maintenance, or improper assembly; normal fading or discoloration from exposure to elements, oils, spills, fluids or chemicals; Table top against breakage; hardware against corrosion or rusting; buckling or splitting of tubing resulting from exposure to water and freezing temperatures; glass table tops, purchased or replacement parts; plastics. Also excluded: loss of use of time and or inconvenience, money, travel, packaging or any other consequential or incidental damages. In no event shall the responsibility of National Outdoor Living exceed the value of the replacement product. Warranty is to the original purchaser only when item is purchased from one of our authorized retailers and is not transferable. All warranty claims must be submitted with a dated register receipt within the warranty period. Should replacement of the warranted item be unavailable, National Outdoor Living reserves the right to substitute items of our choice that are similar in style, color and quality. For quality control purposes and verification, we reserve the right to request photographs of the damage item(s). These warranty terms are subject to change without notice.



National Outdoor Living Cranford, New Jersey 07016 • nationaloutdoorliving.com

Item # SV42-900039 Made in China Printed in China