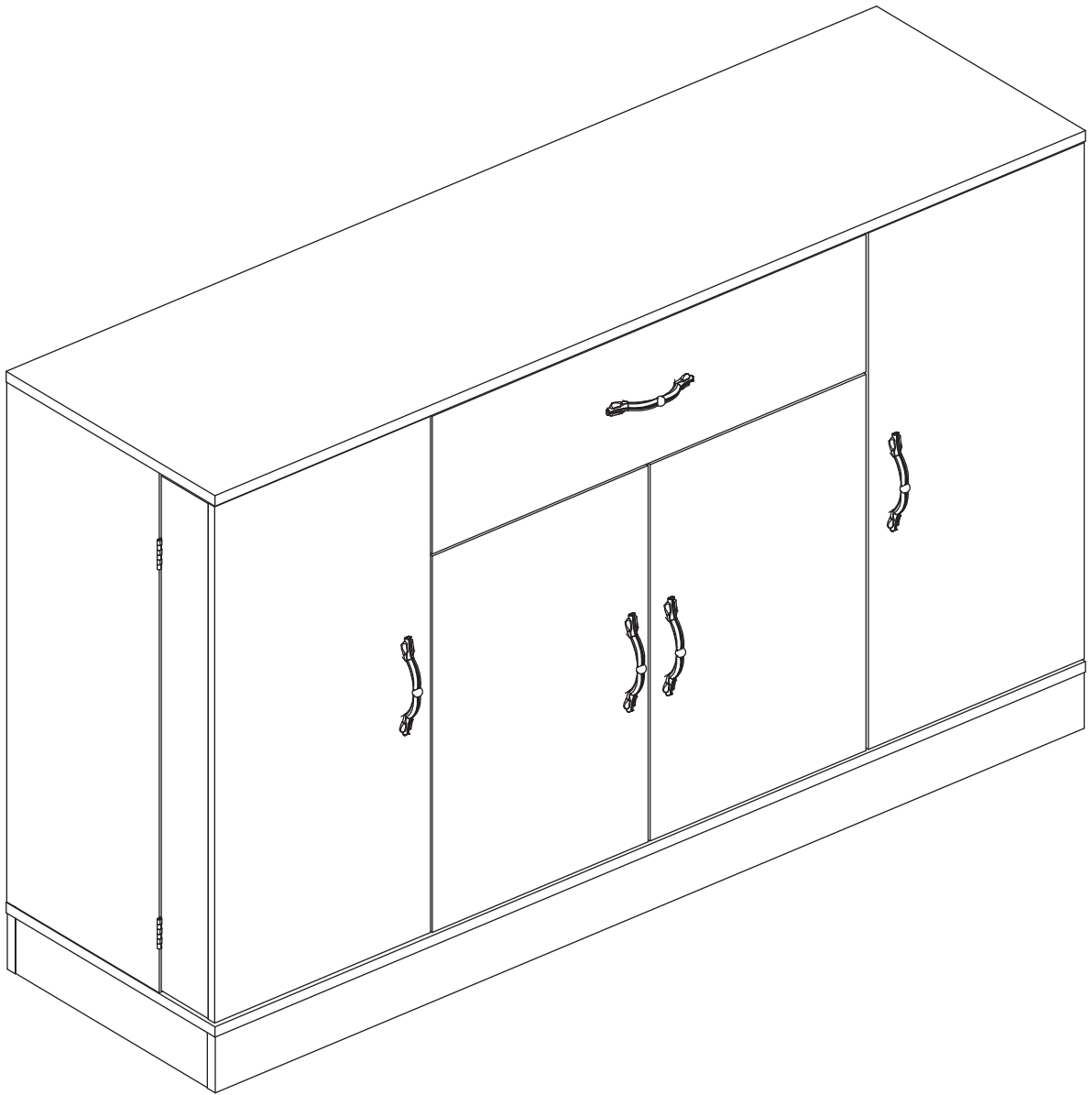
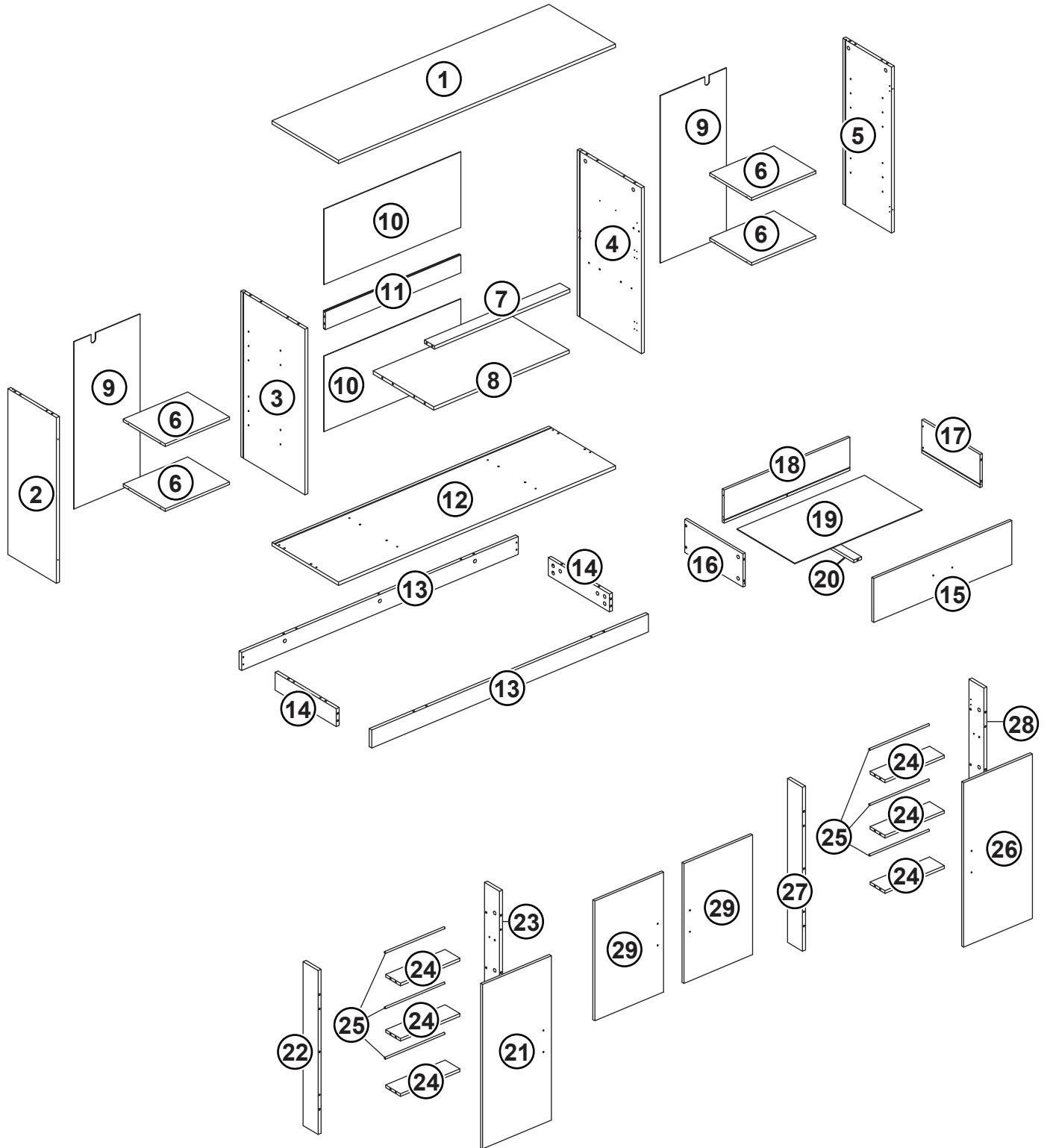


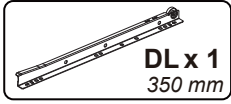
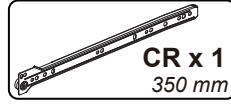
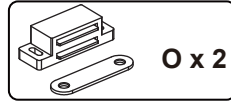
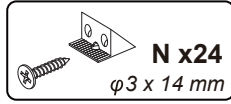
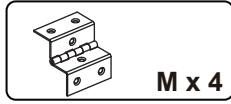
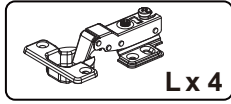
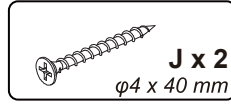
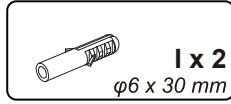
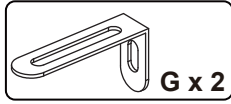
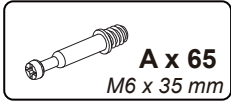
*ASSEMBLY INTRODUCTION*



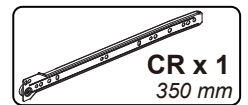
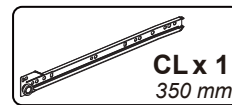
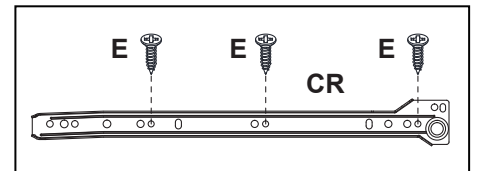
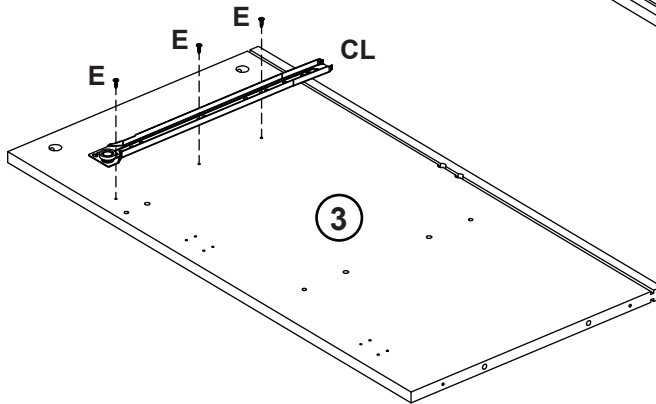
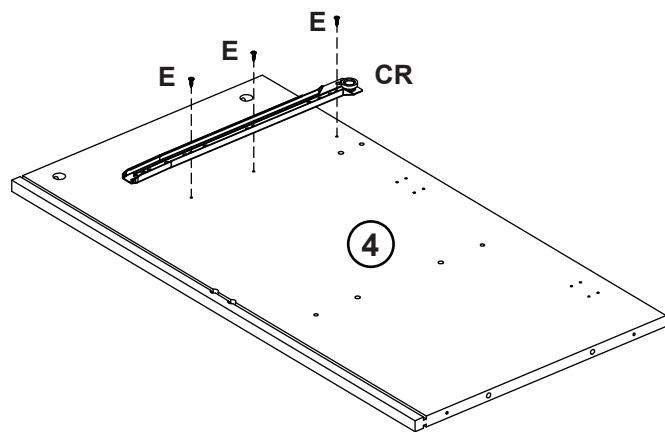
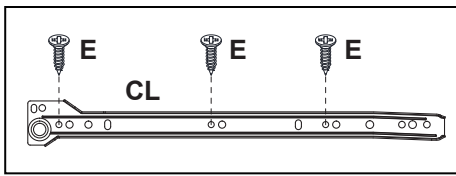
# Exploded View



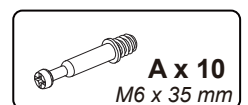
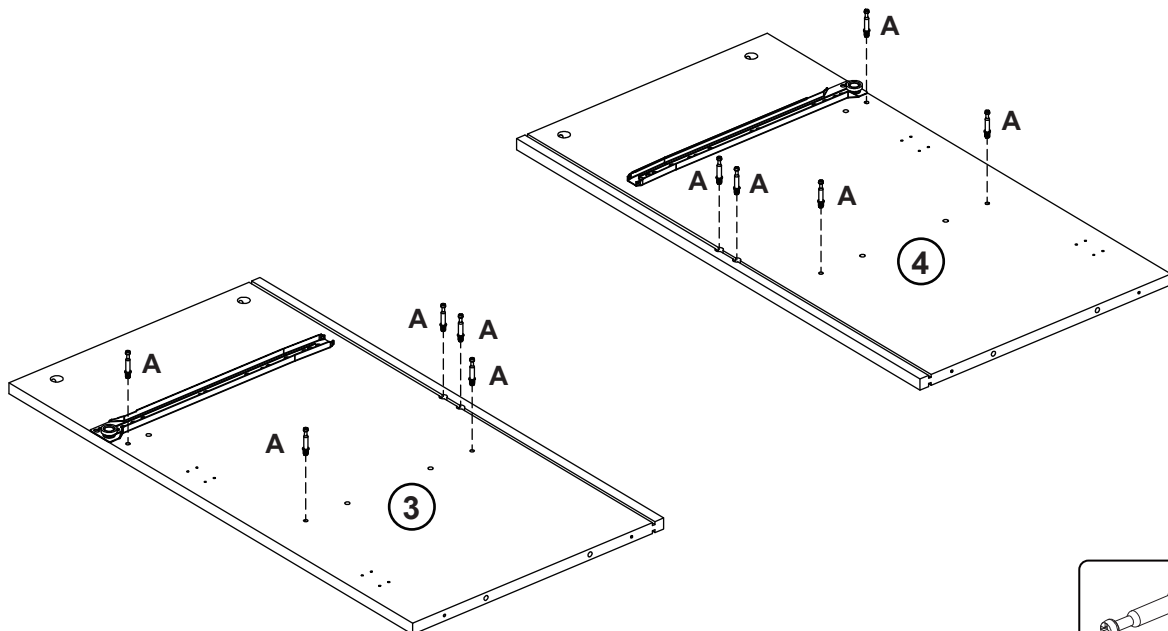
# Fitting



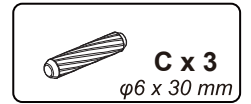
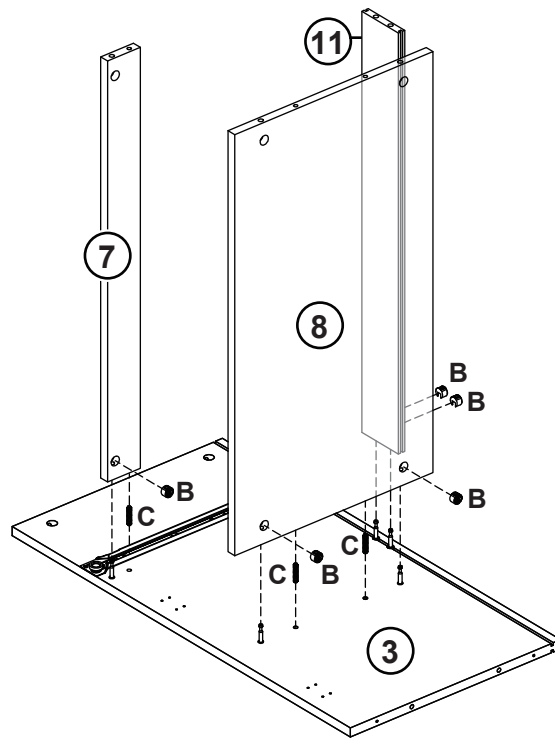
# Step 1



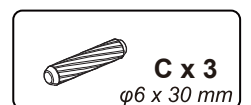
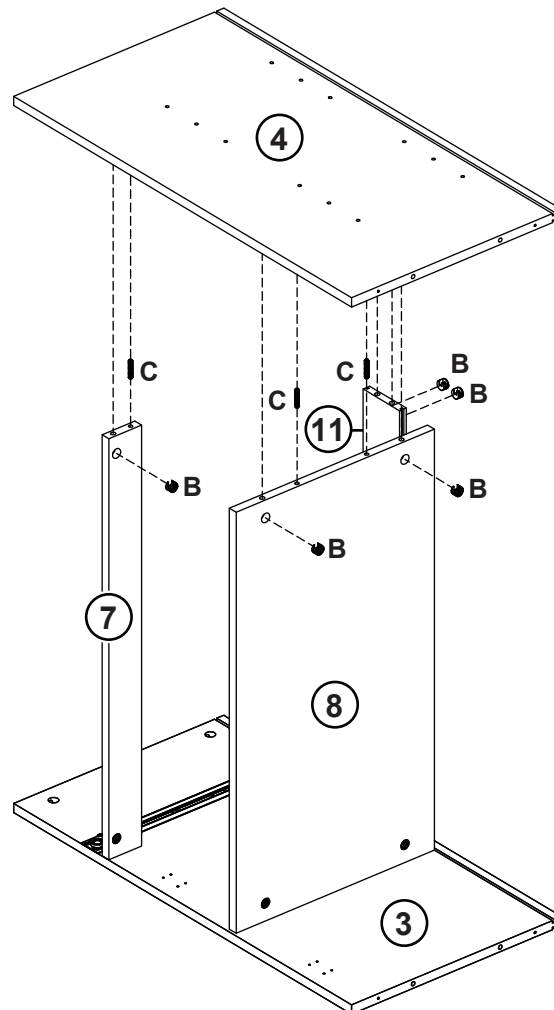
# Step 2



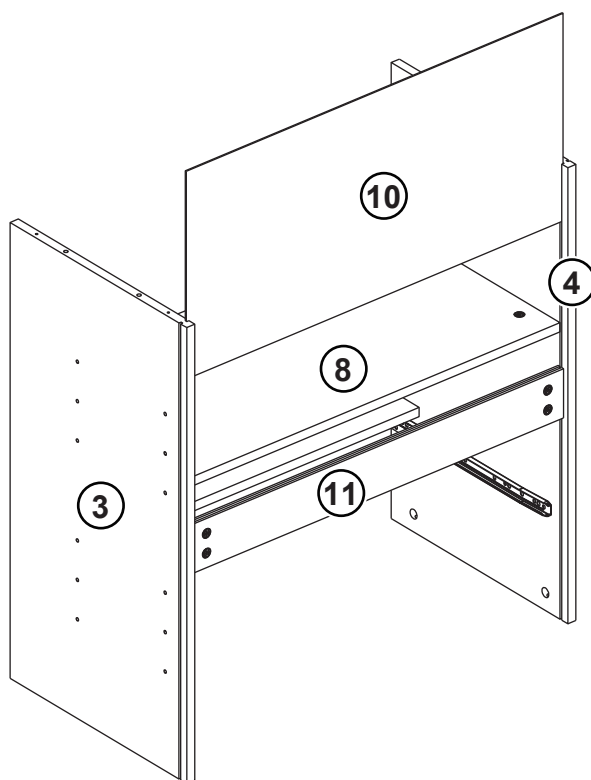
## Step 3



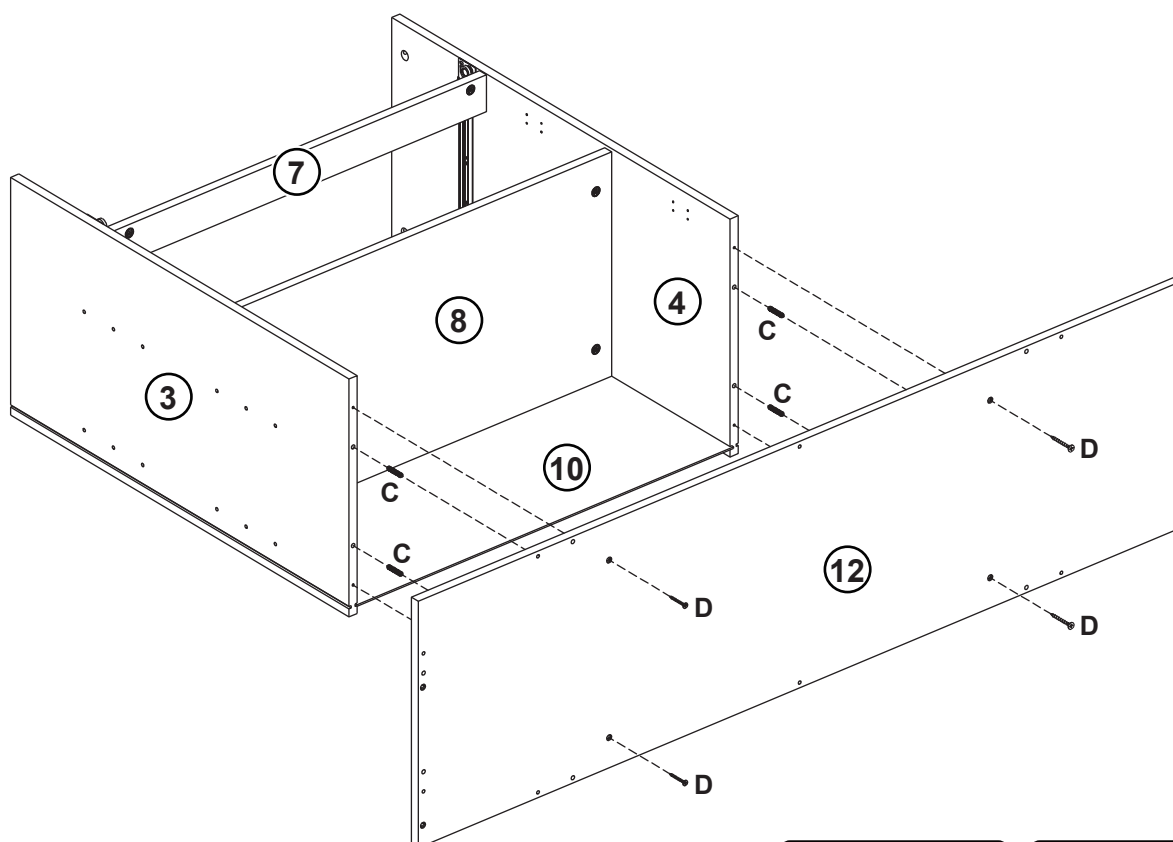
## Step 4



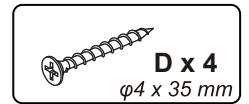
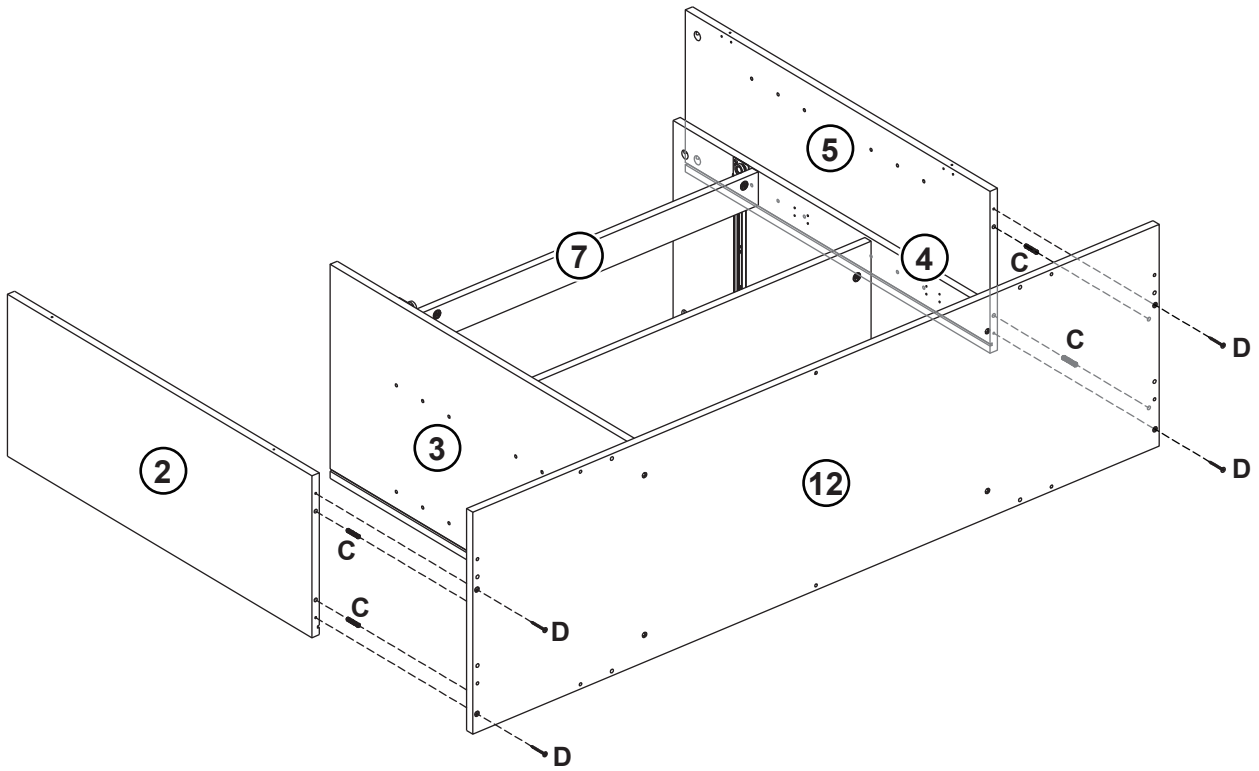
## Step 5



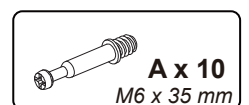
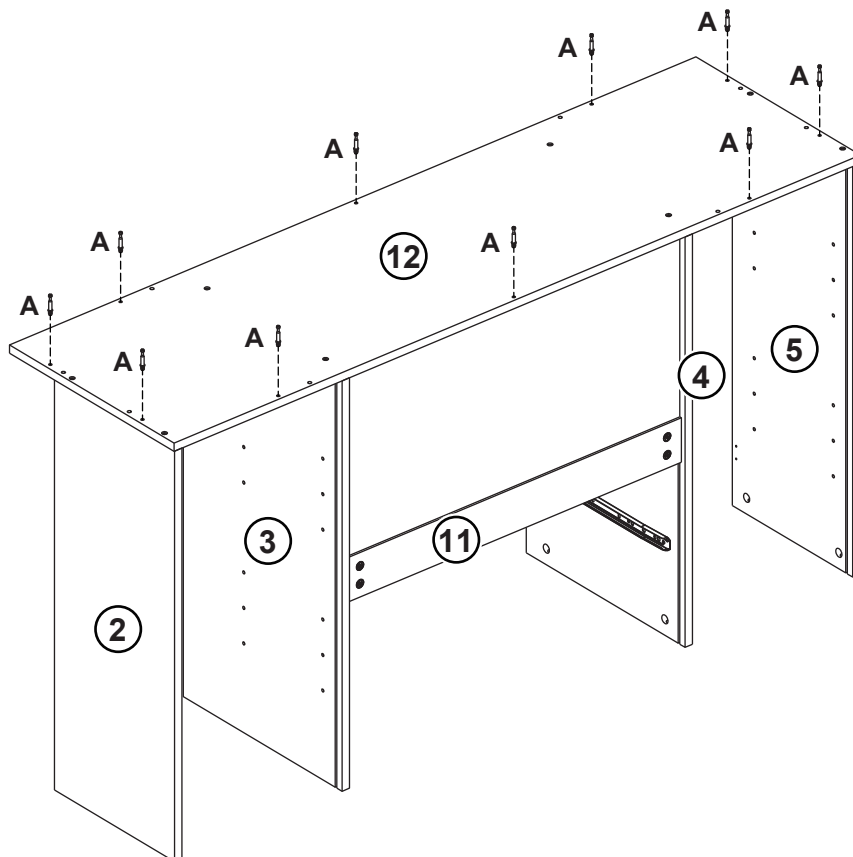
## Step 6



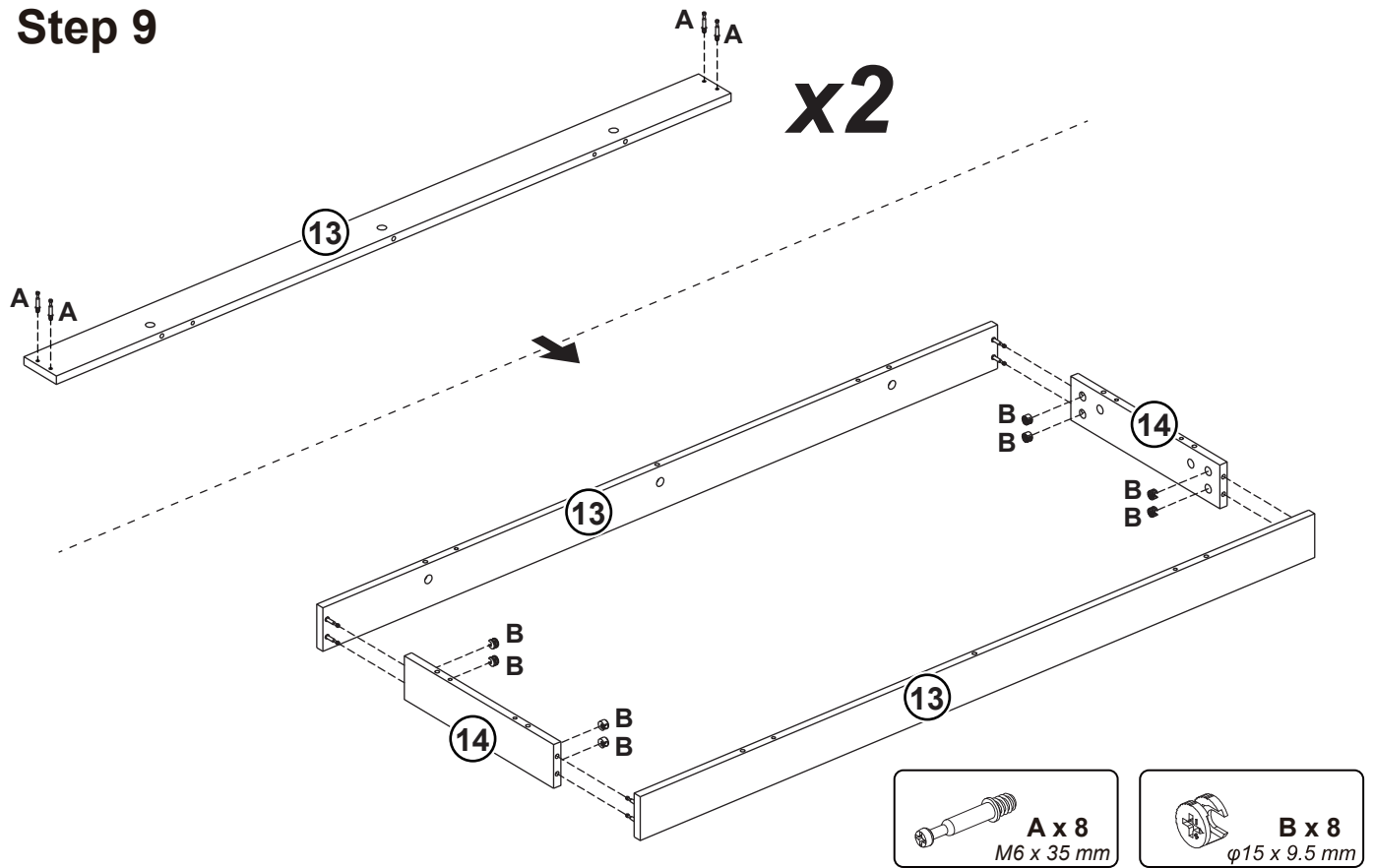
## Step 7



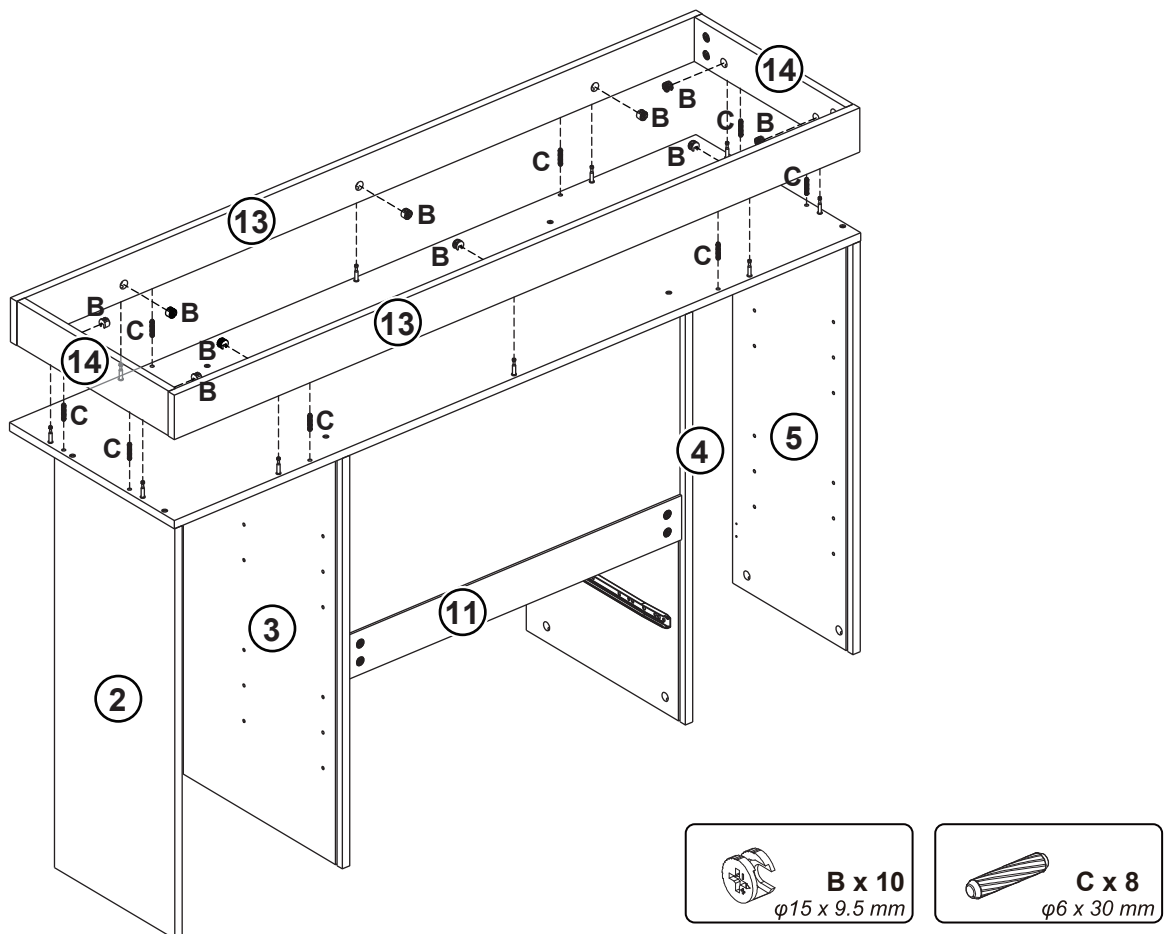
## Step 8



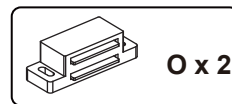
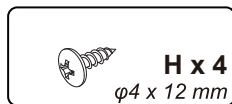
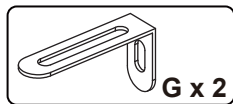
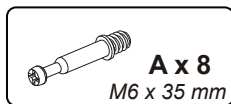
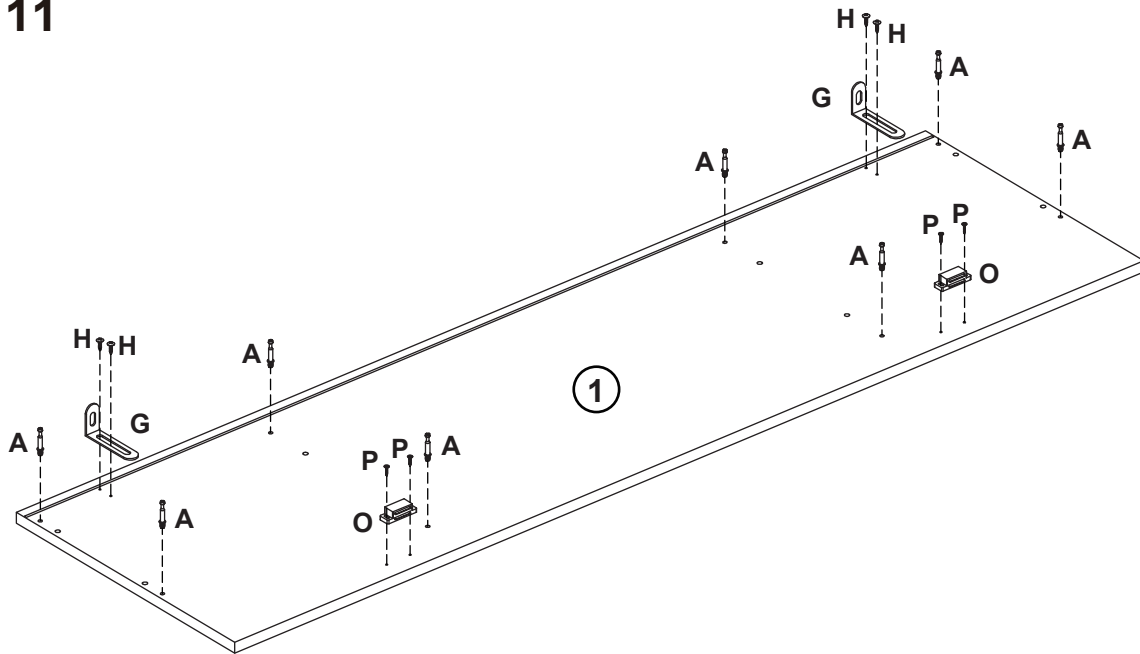
## Step 9



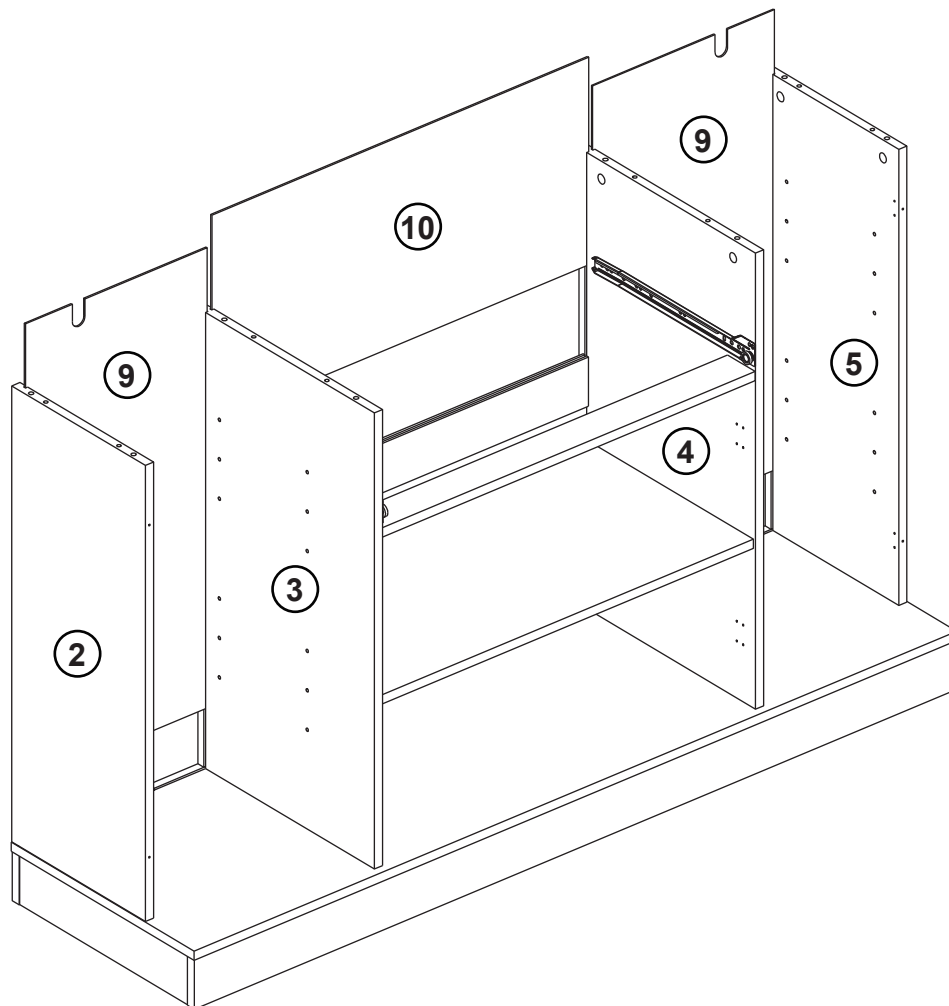
## Step 10



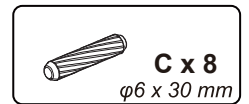
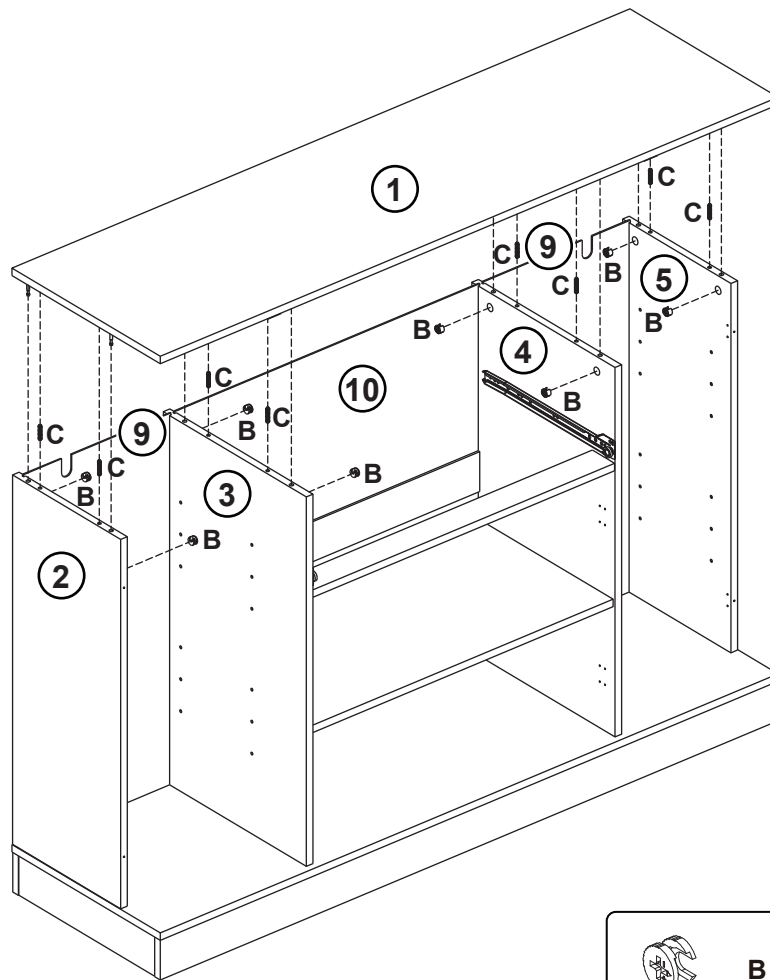
## Step 11



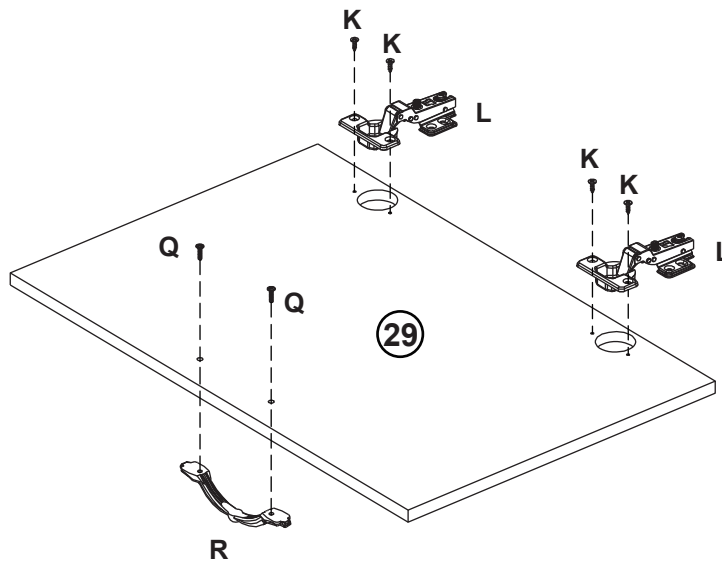
## Step 12



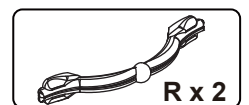
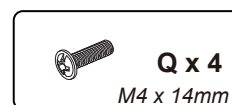
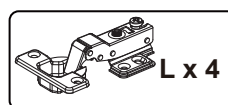
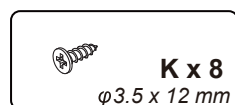
# Step 13



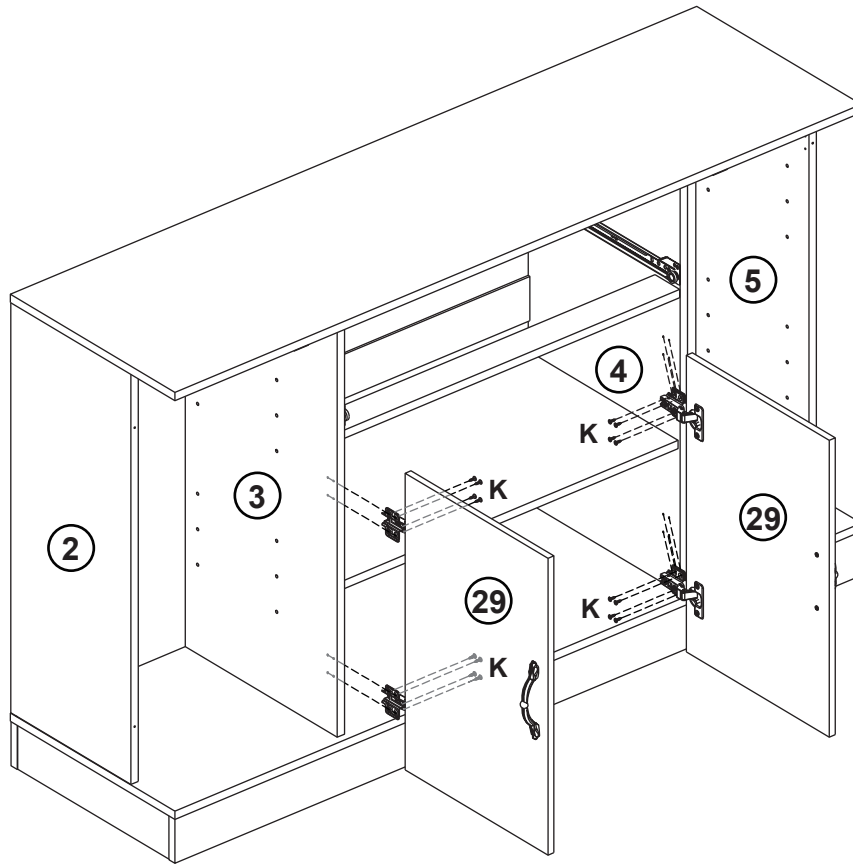
# Step 14



**x2**

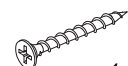
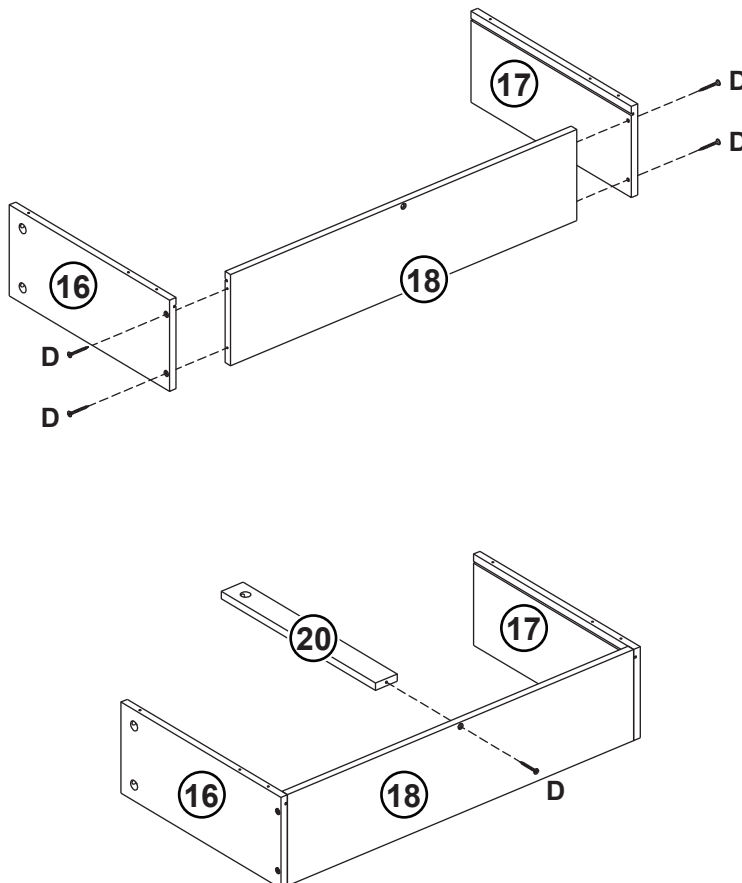


## Step 15



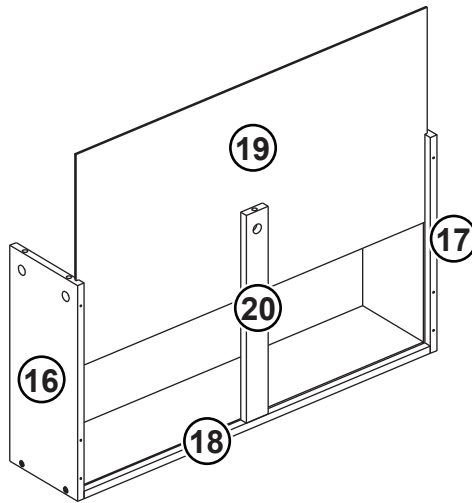
**K x 16**  
 $\varnothing 3.5 \times 12 \text{ mm}$

## Step 16

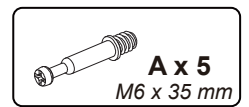
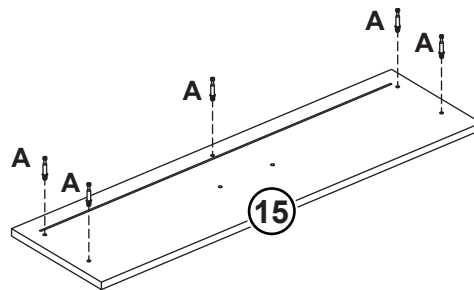


**D x 5**  
 $\varnothing 4 \times 35 \text{ mm}$

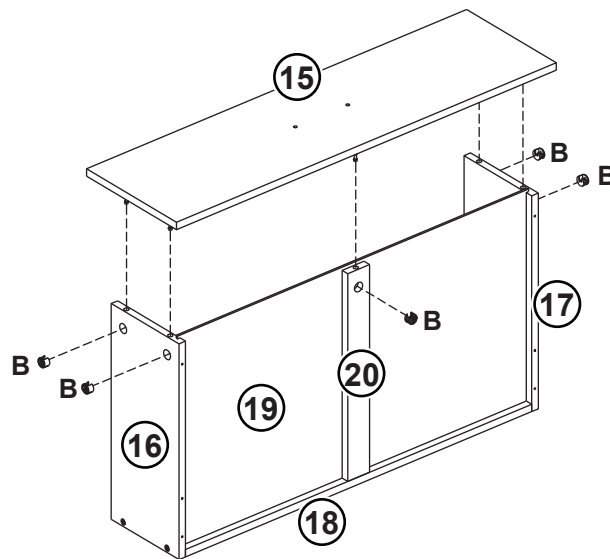
## Step 17



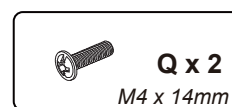
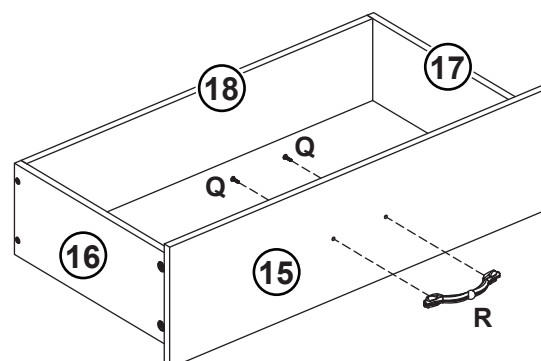
## Step 18



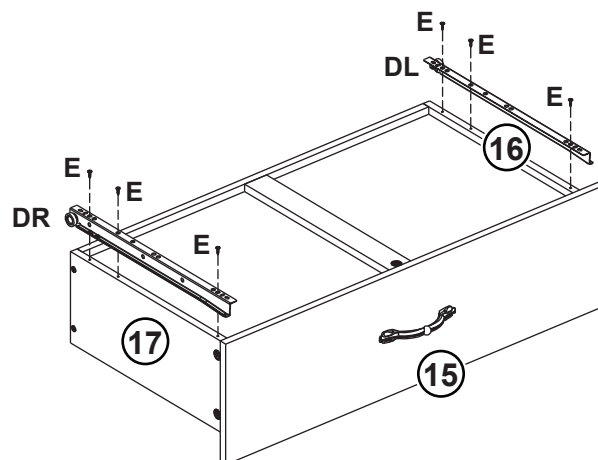
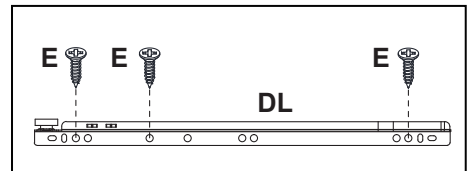
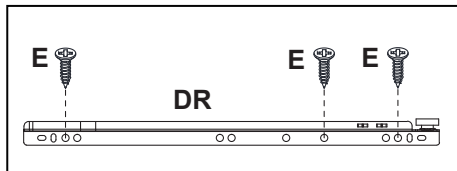
## Step 19



## Step 20



## Step 21

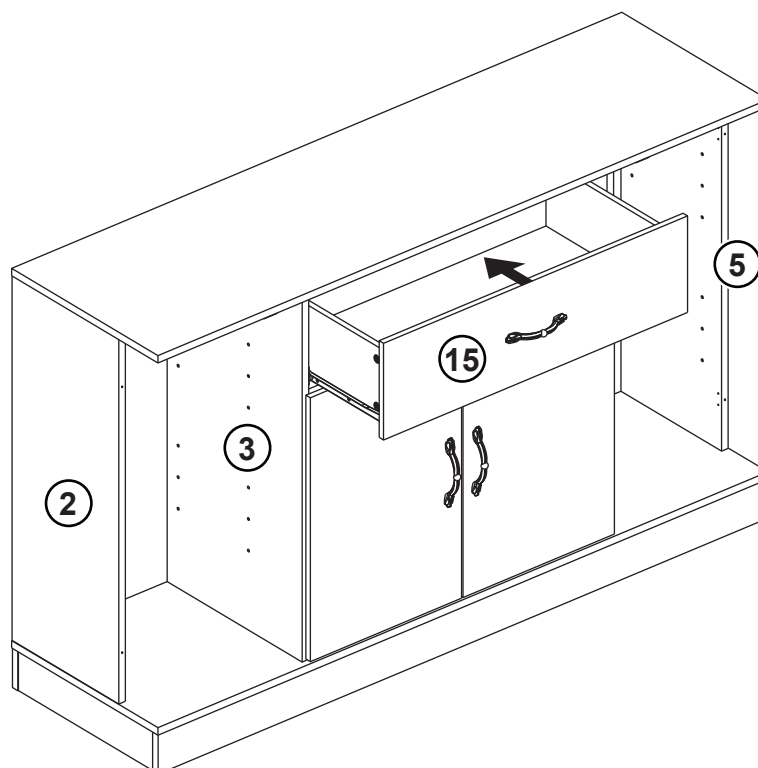


 **E x 6**  
φ3 x 12mm

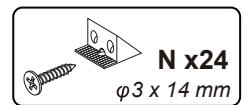
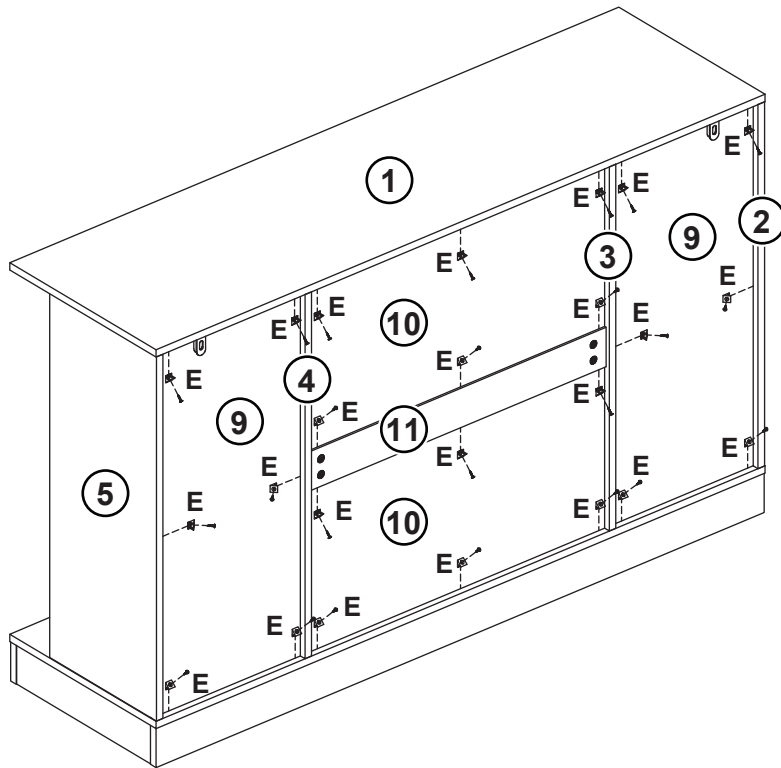
 **DL x 1**  
350 mm

 **DR x 1**  
350 mm

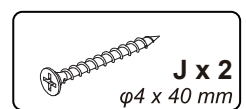
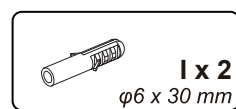
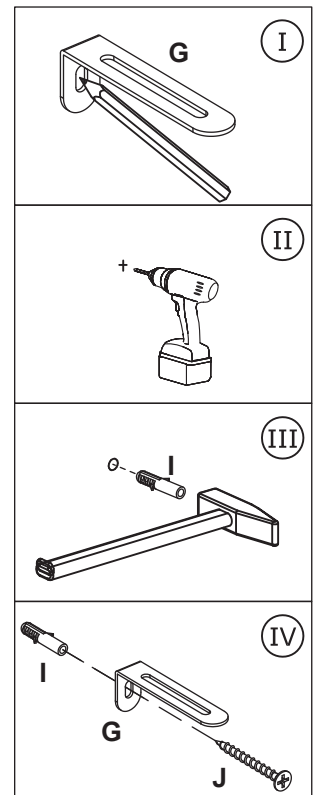
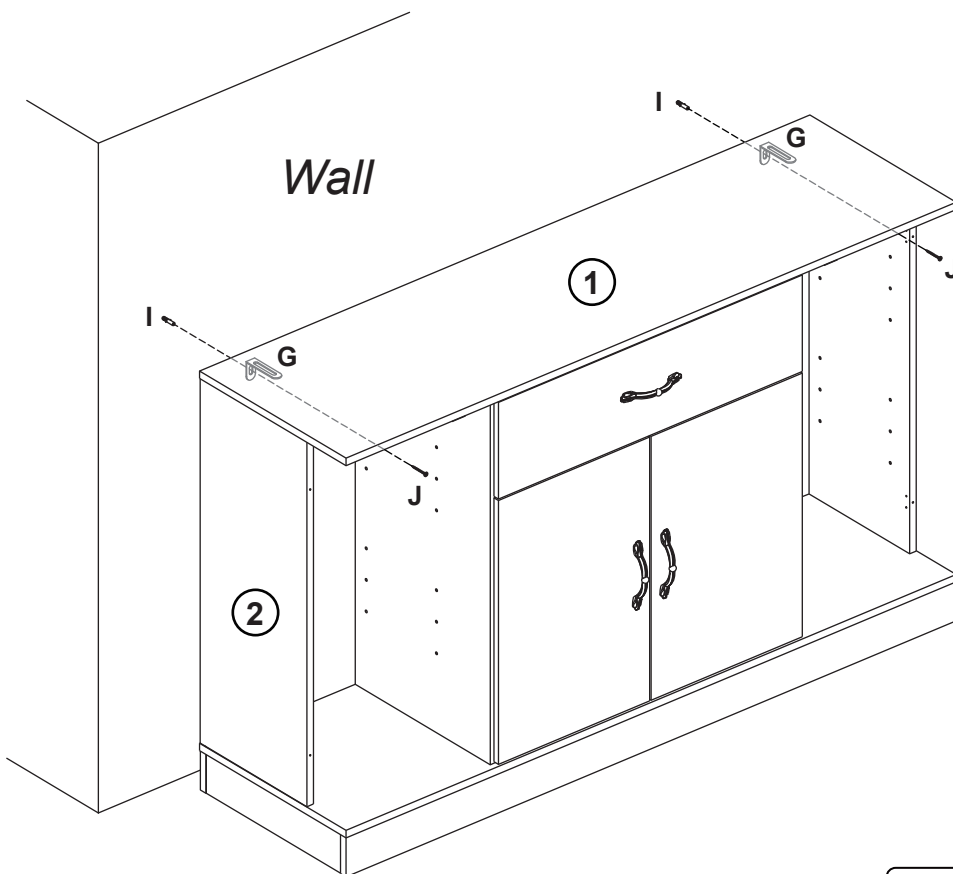
## Step 22



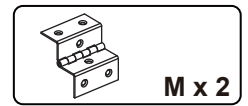
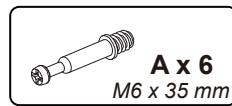
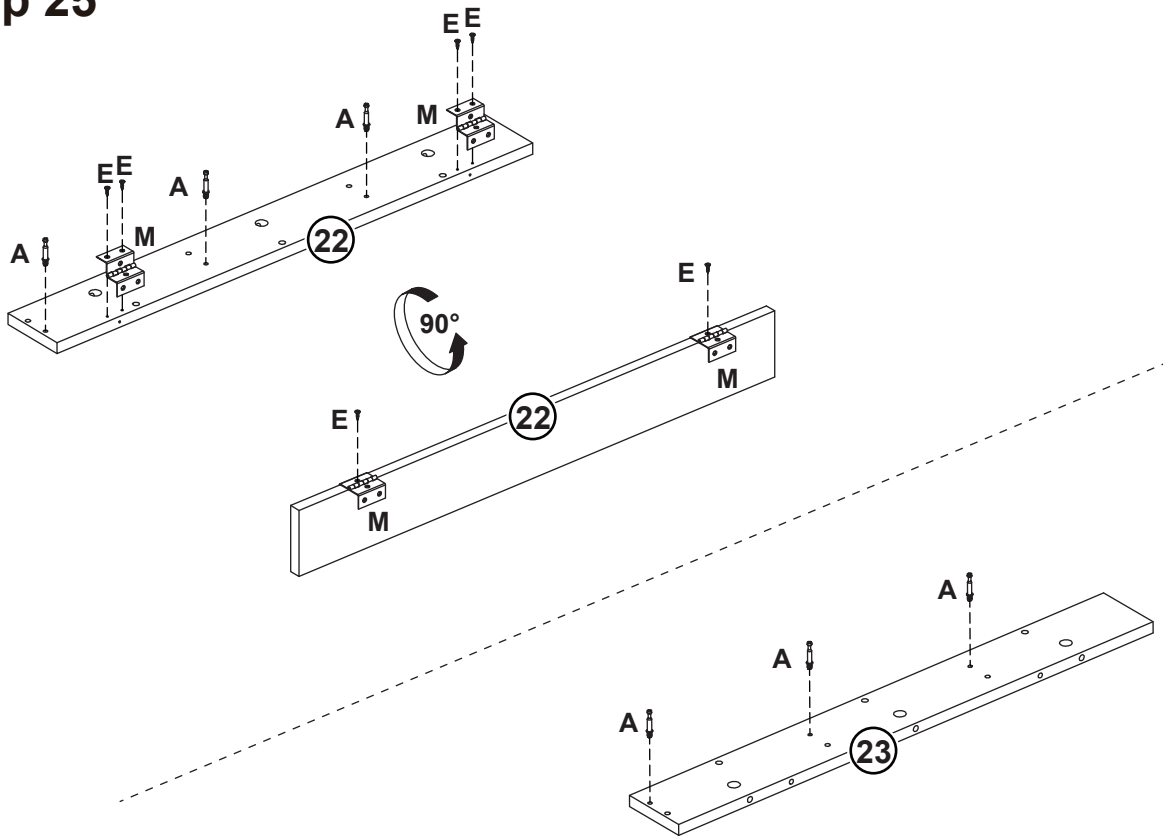
## Step 23



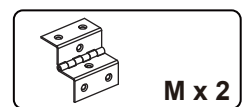
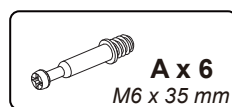
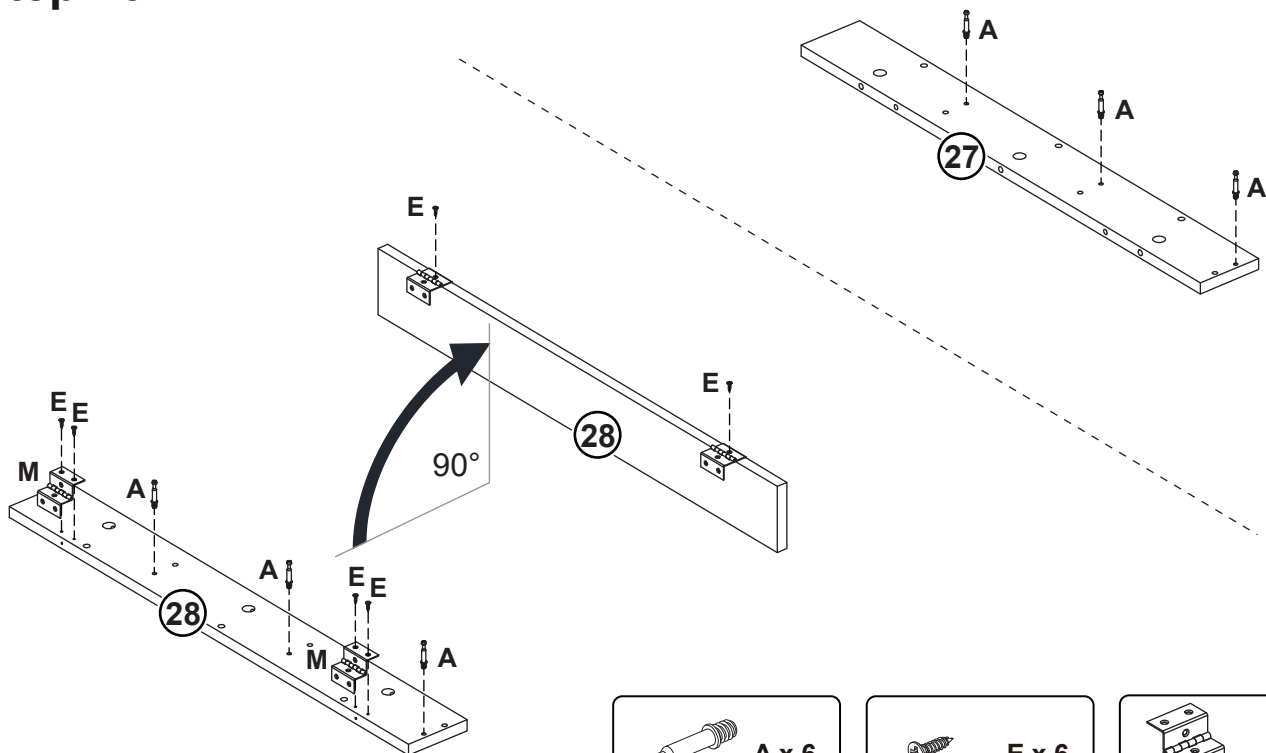
## Step 24



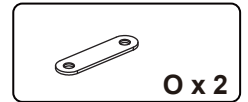
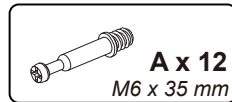
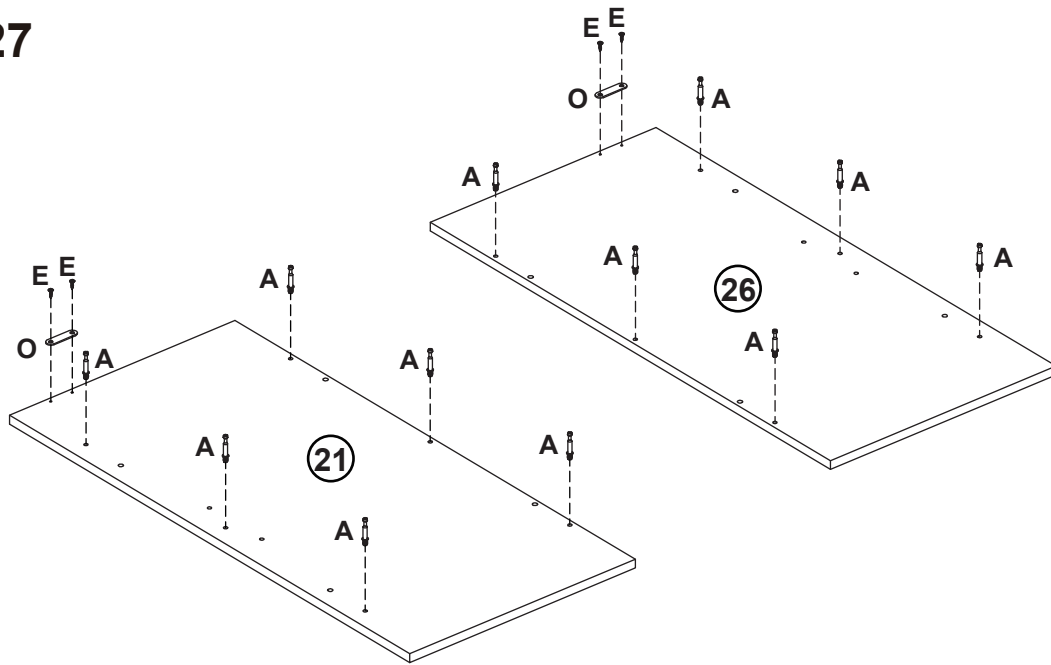
## Step 25



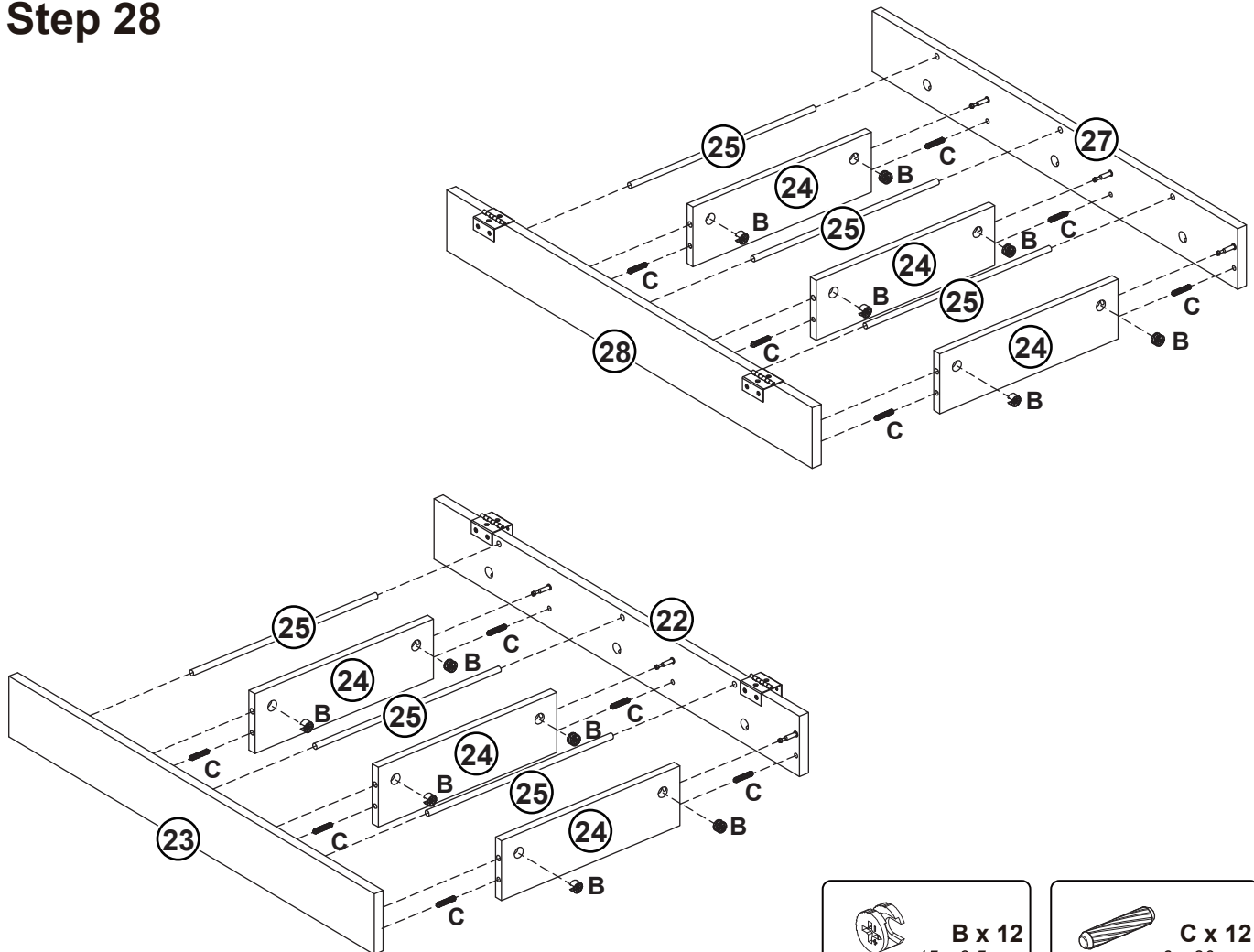
## Step 26



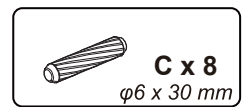
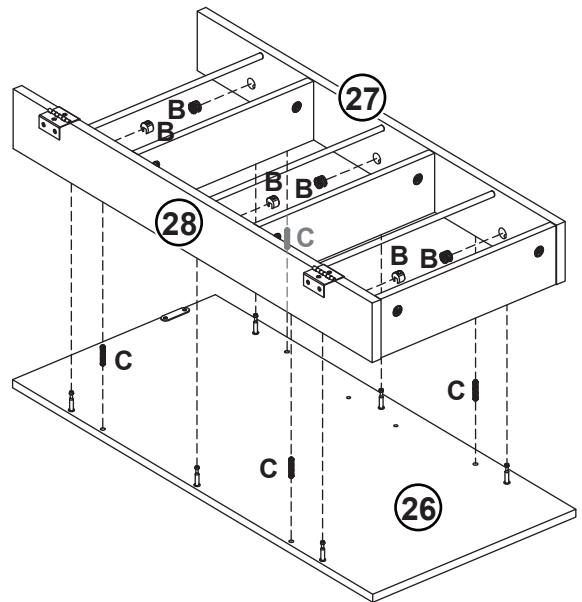
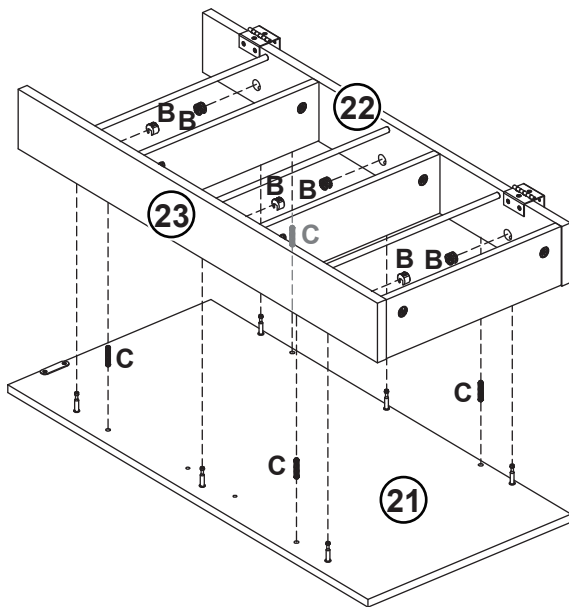
# Step 27



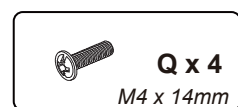
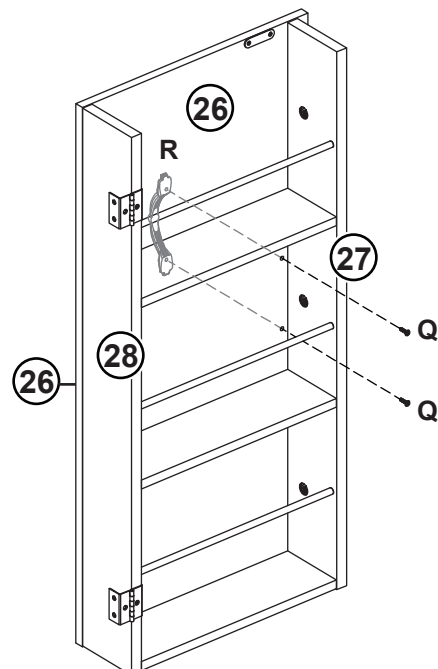
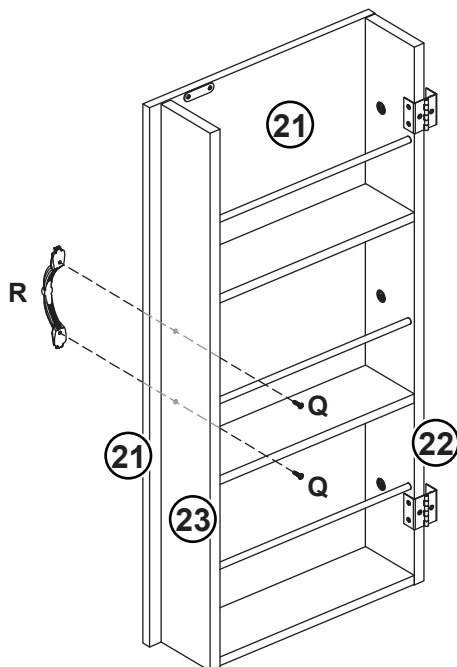
# Step 28



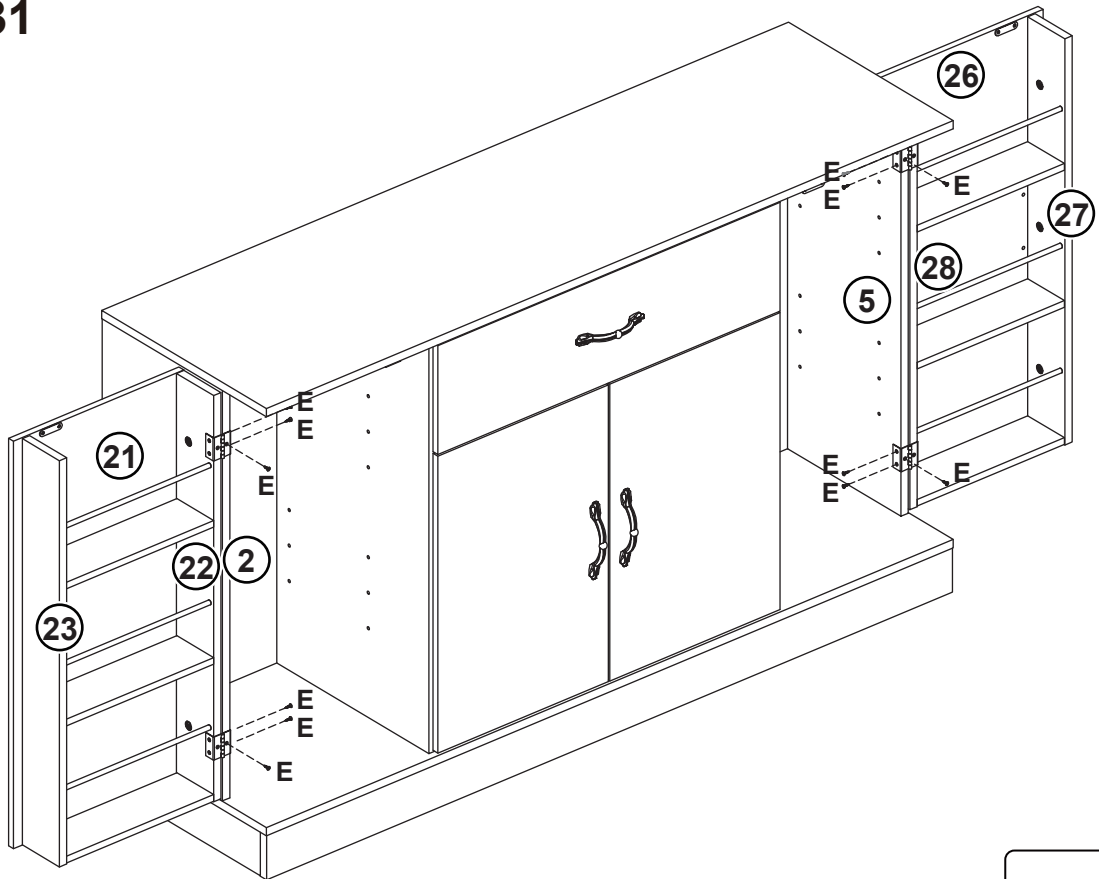
## Step 29



## Step 30

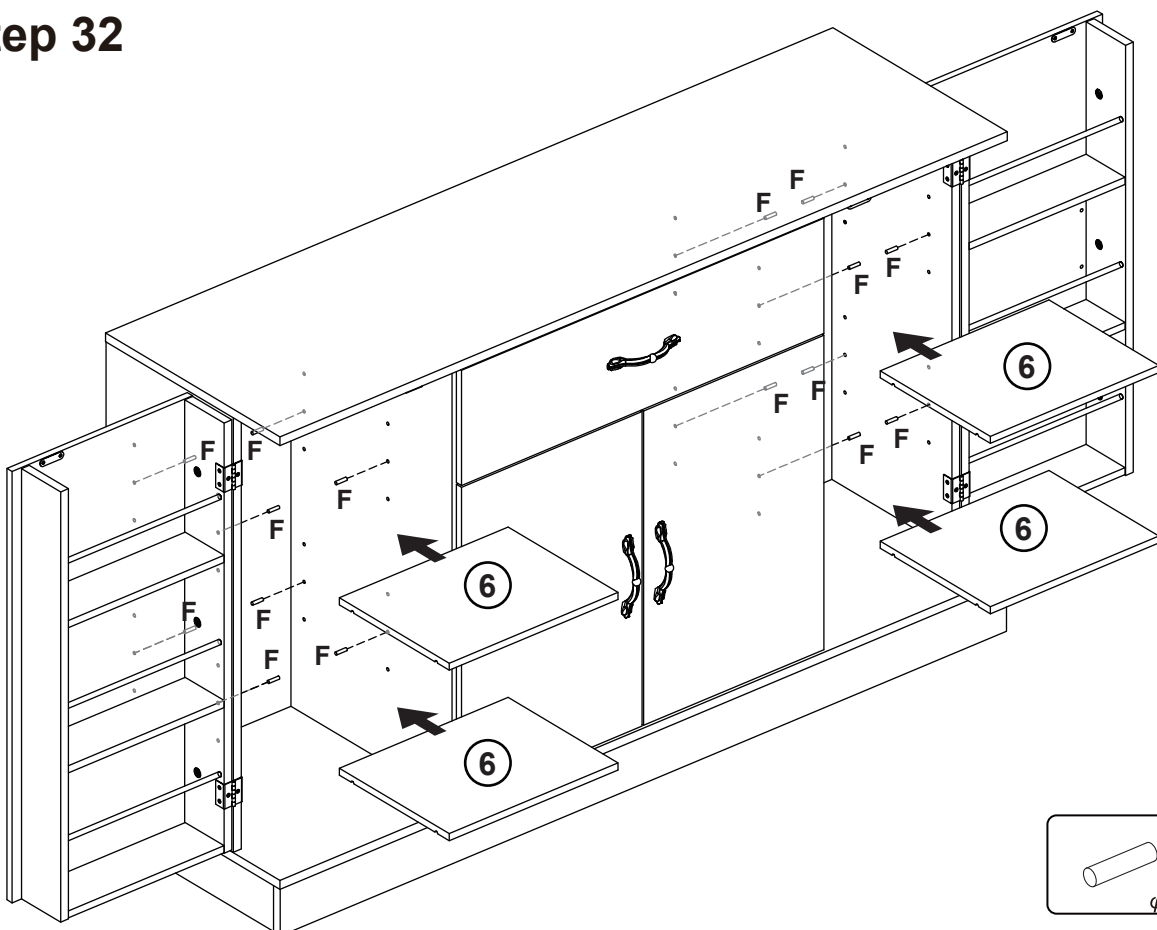


## Step 31



**E x 12**  
φ3 x 12mm

## Step 32



**F x 16**  
φ5 x 20mm